

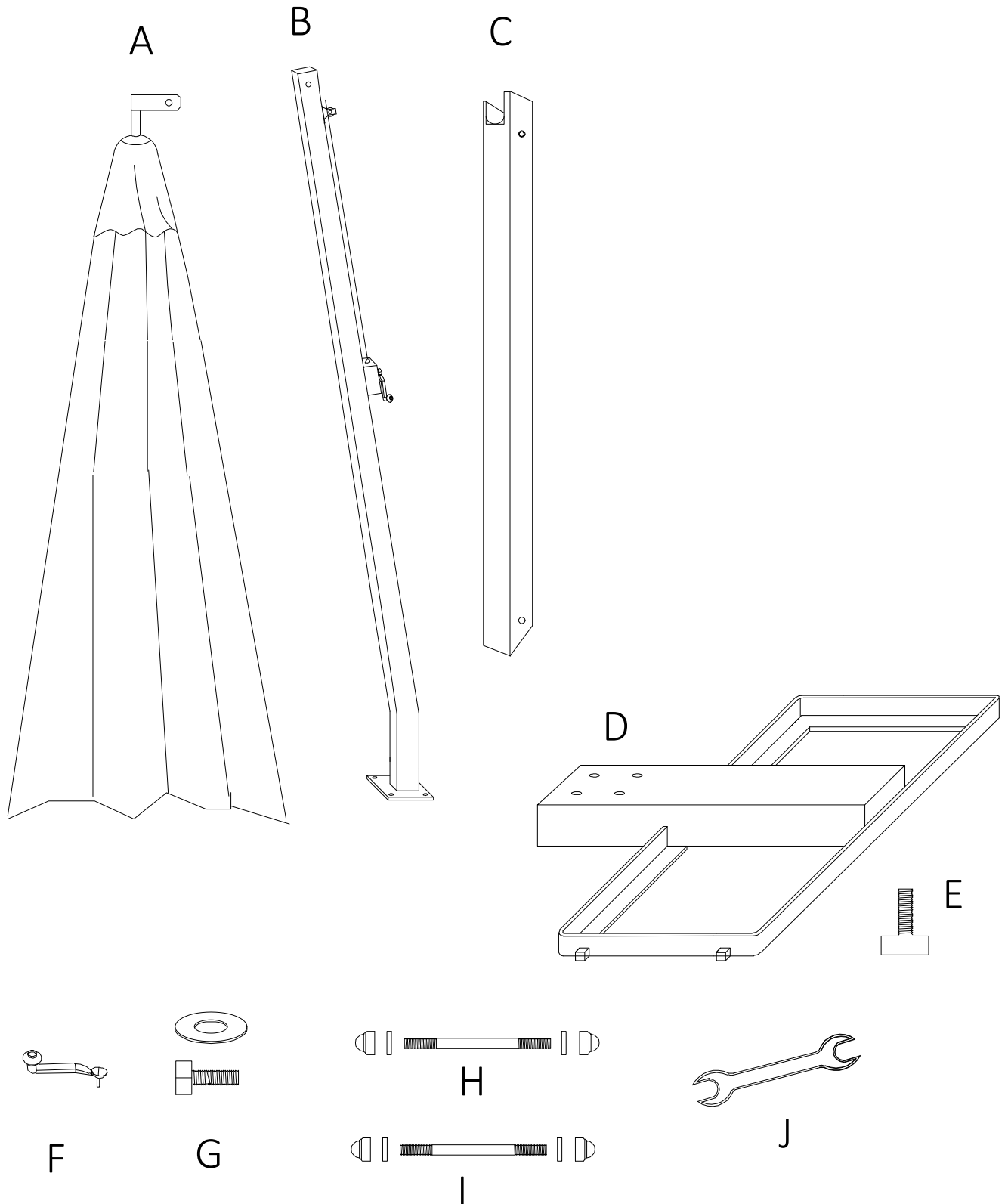
DANCOVER[®]

.com

Manual
for
Cantilever Parasol Bahamas
Ø4m

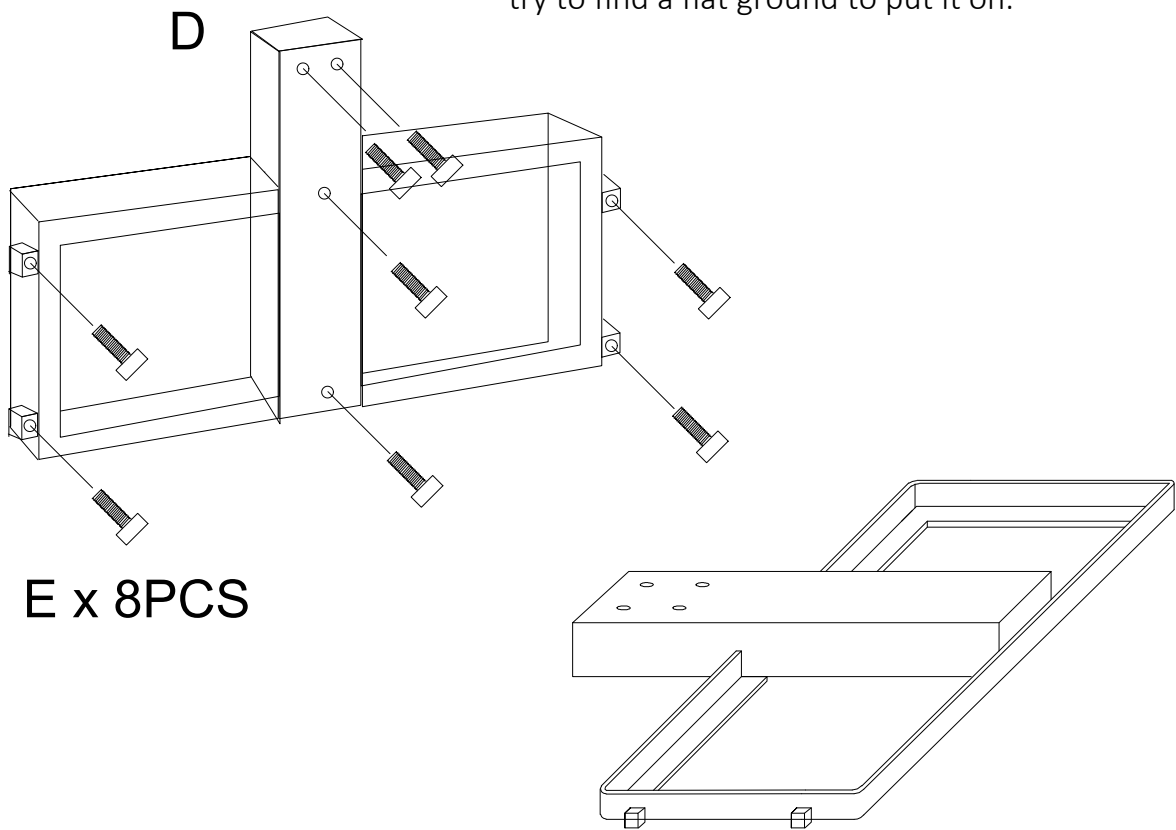
CANTILEVER PARASOL ASSEMBLY PARTS LIST (WITHOUT ROTATION SYSTEM)

PART	DESCRIPTION	PART	DESCRIPTION
A	PARASOL - 1PC	G	M10*25MM BOLT, WASHERS&NUTS - 4SETS
B	UPRIGHT POST - 1PC	H	M10*95MM BOLT, WASHERS&NUTS - 1SET
C	HANGING POST - 1PC	I	M10*120MM BOLT, WASHERS&NUTS - 1SET
D	BASE'S METAL FRAME - 1PC	J	SPANNERS - 2PCS
E	FEET - 8PCS		
F	WINCH BOX HANDLE - 1PC		



Step 1:

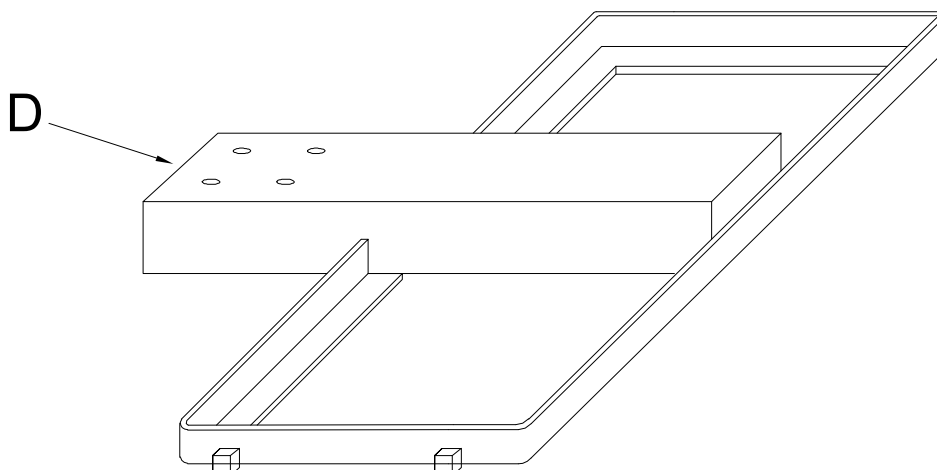
Fixing the 8 feet (E) into the base's metal frame (D),
try to find a flat ground to put it on.



Step 2:

Once you confirmed the parasol position,
putting the base into base's frame (D).

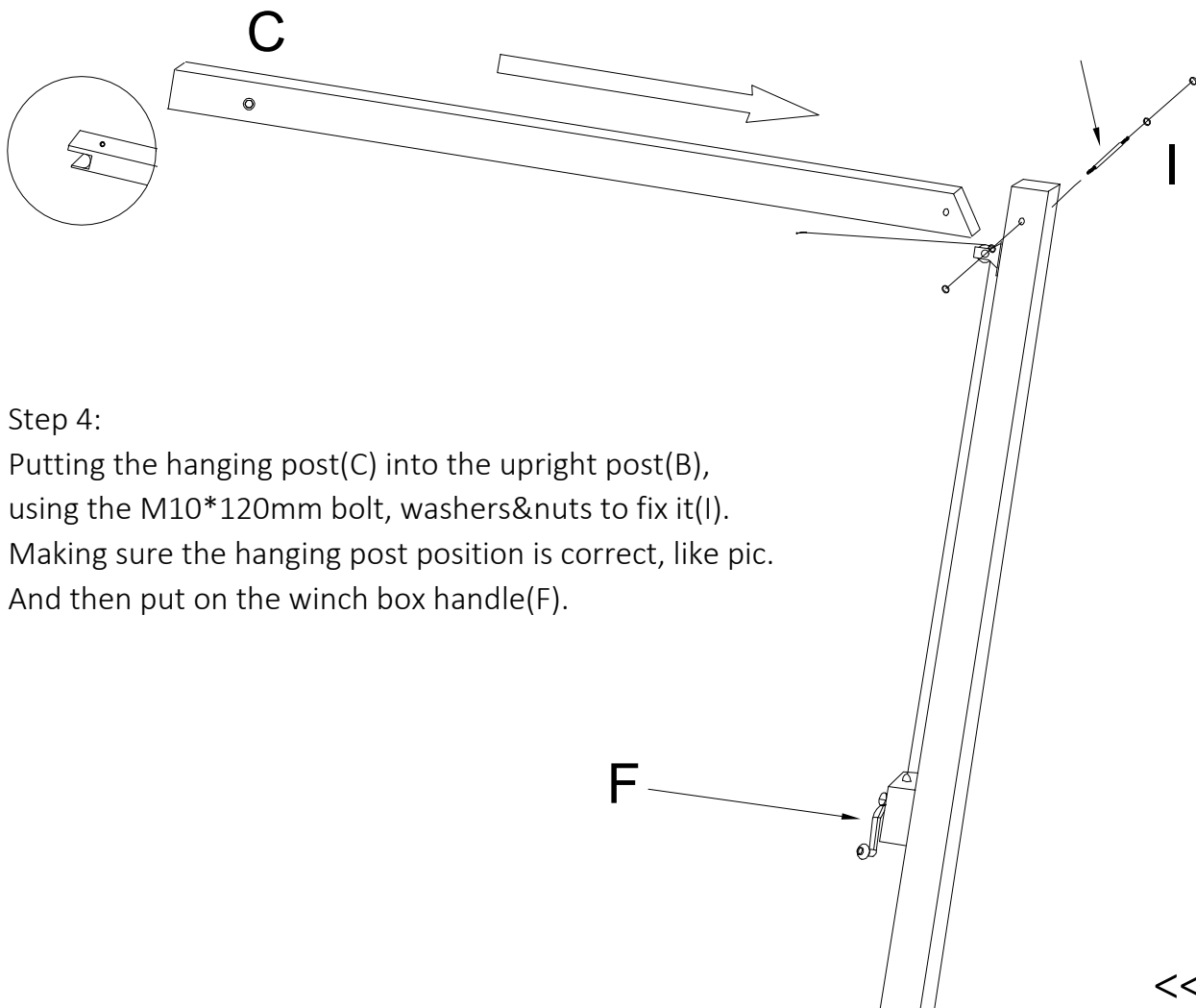
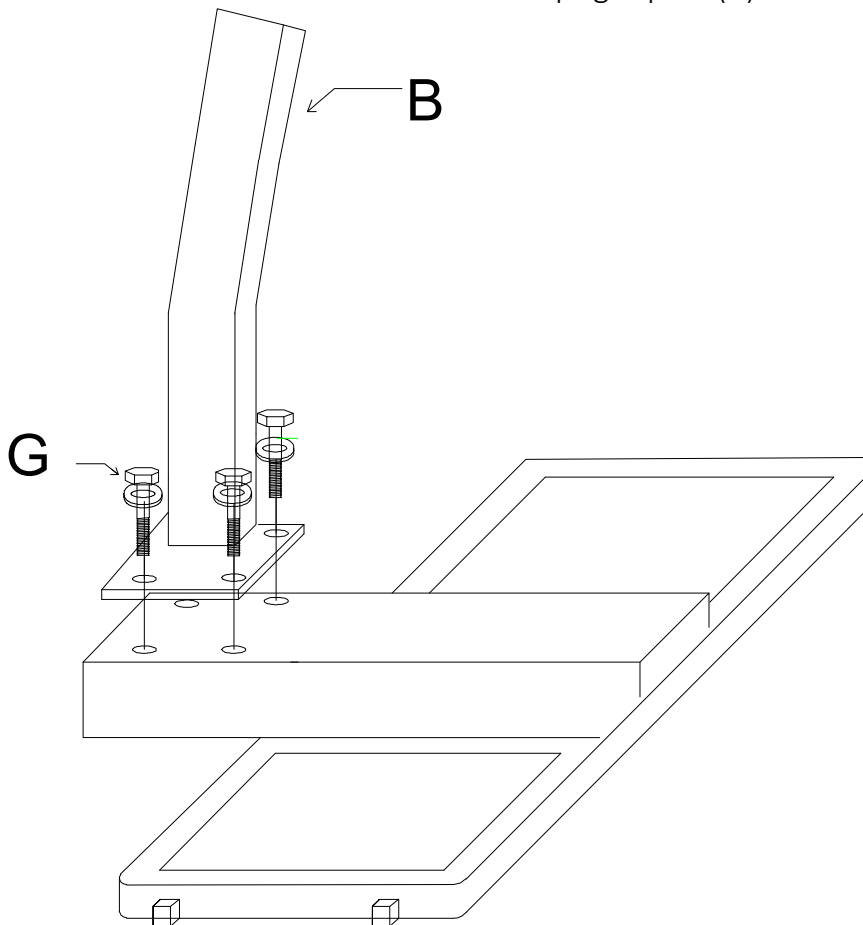
Parasol base/ballast not included.



Step 3:

Using the 4bolts and washers(G) to

fix the upright post (B) into the base's metal frame (D),



Step 4:

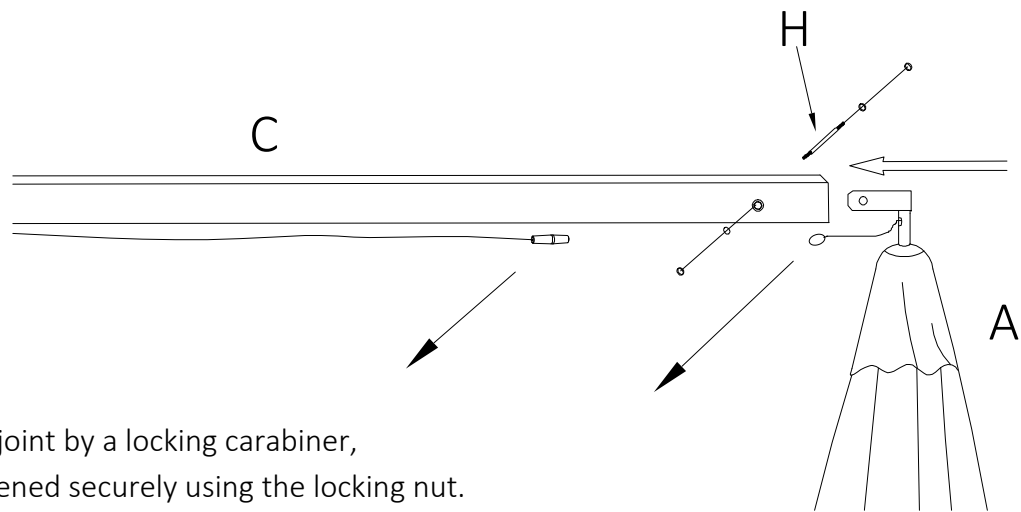
Putting the hanging post(C) into the upright post(B),
using the M10*120mm bolt, washers&nuts to fix it(I).

Making sure the hanging post position is correct, like pic.

And then put on the winch box handle(F).

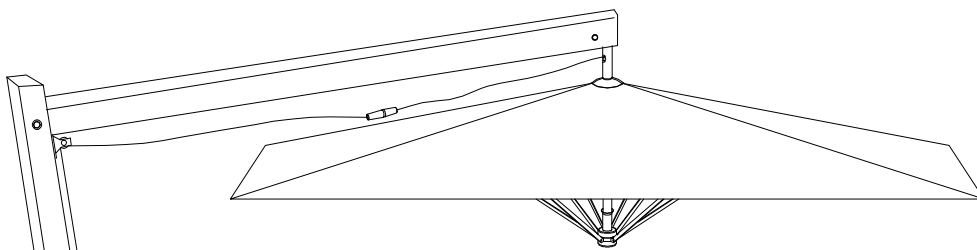
Step 5:

Raising up the parasol(A), putting into the hanging post(C), using the M10*95mm bolt, washers&nuts(H) to fix it.



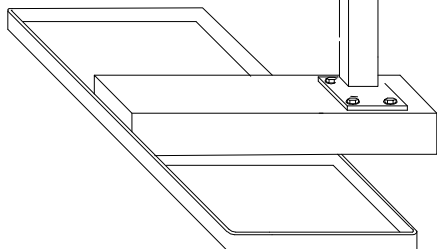
Step 6:

The wire loops are joint by a locking carabiner, which must be fastened securely using the locking nut. Finally, secure the end-cap on the end of the tube



Step 7:

Using the winch box handle (F) to open and close the parasol.



Contact information

Austria



Belgium



Croatia



Denmark



Estonia



Finland



France



Germany



Ireland



Italy



Latvia



Lithuania



Nederland



Norway



Poland



Portugal



Spain



Sweden



Switzerland



UK

