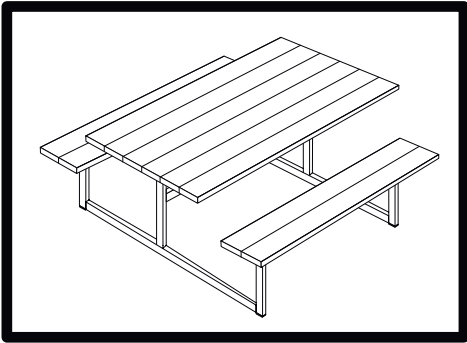


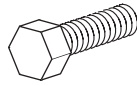
**DANCOVER<sup>®</sup>**

**.com**

Manual  
for  
Picnic table,  
1.4 x 1.75 m

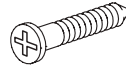


**A**



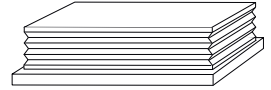
**x4**

**B**



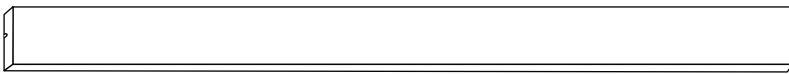
**x100**

**C**



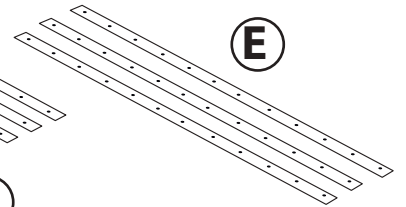
**x4**

**D**

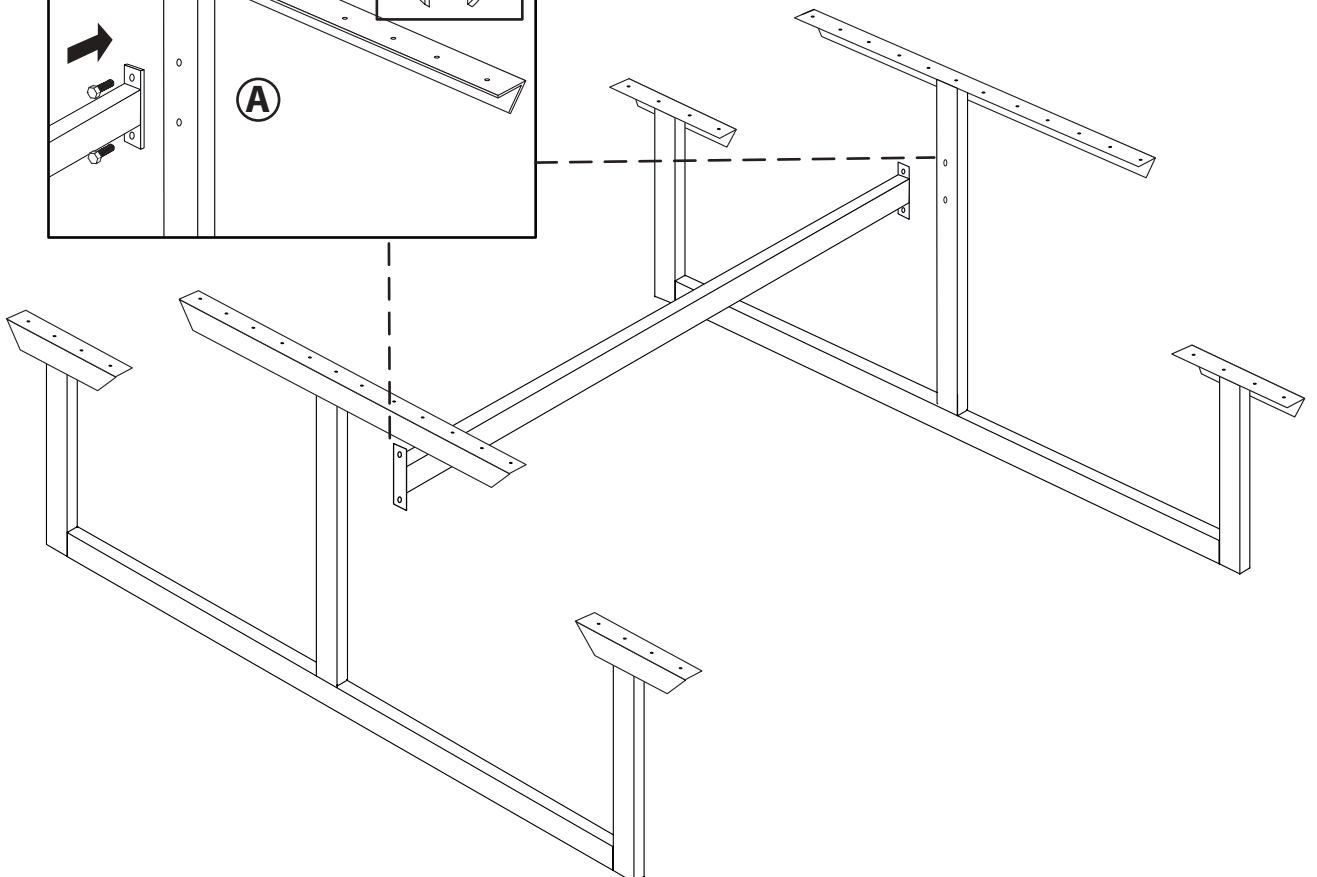
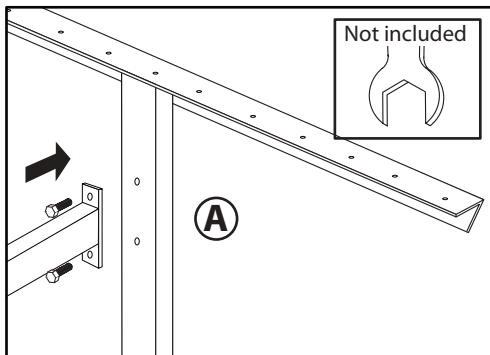
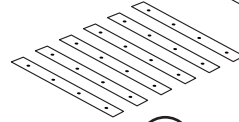


**x10**

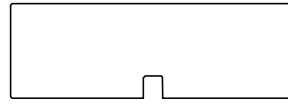
**E**



**F**



UPSIDE



DOWNSIDE

