

# CosyLifeStyle<sup>®</sup>

Manuell

til

Drivhus

1,9x2,52x2,01m

# DANCOVER<sup>®</sup>

.com

Kjære kunde,

Takk for at du valgte et av våre drivhus – vi håper du vil nyte dette produktet til det fulle. Forhåpentligvis vil den illustrerte monteringshåndboken hjelpe deg gjennom monteringsprosessen.

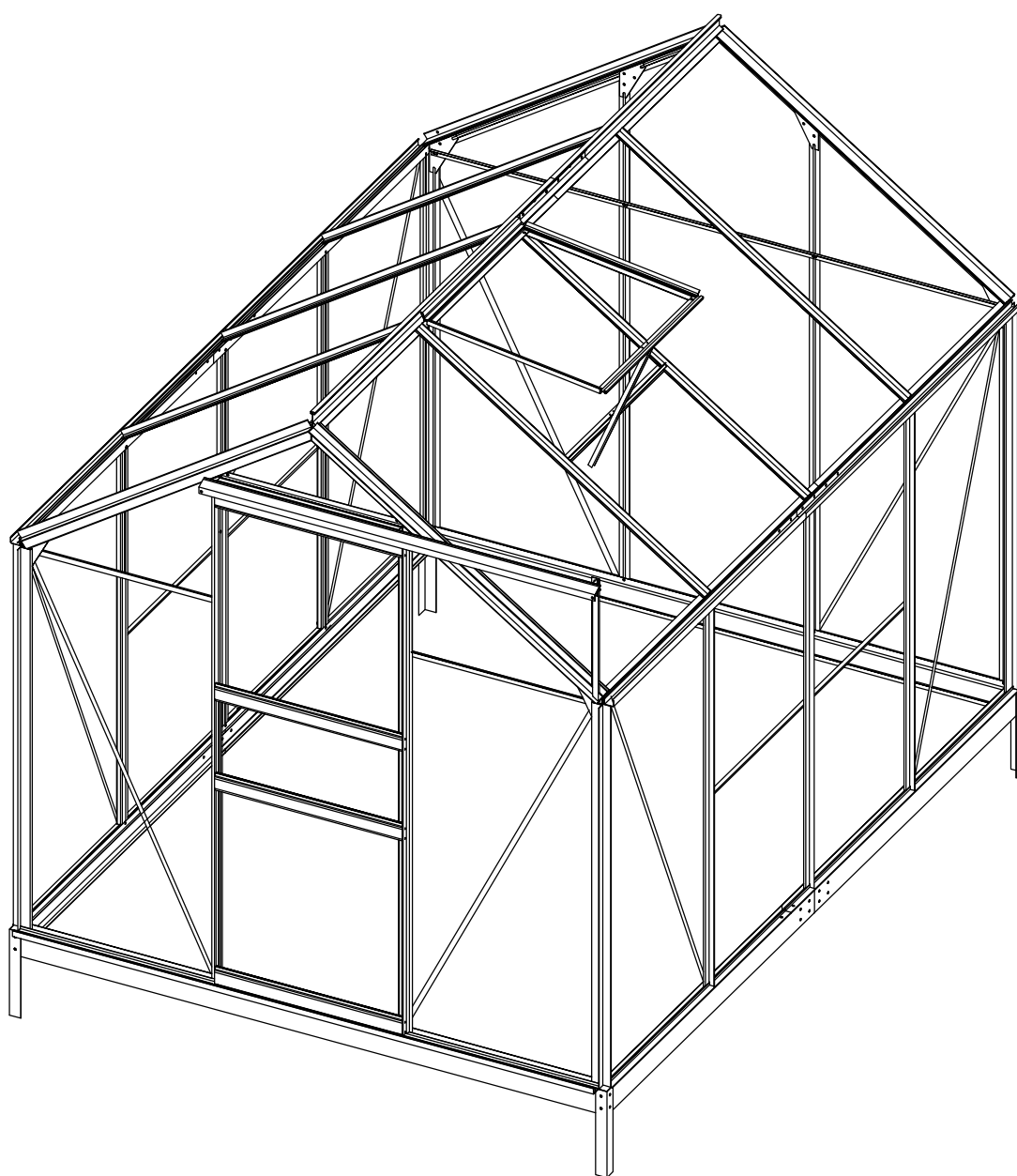
For ytterligere råd og instruksjoner på norsk, se vår sikkerhetsmanual. Du kan også kontakte våre Xperts hvis du har spørsmål.

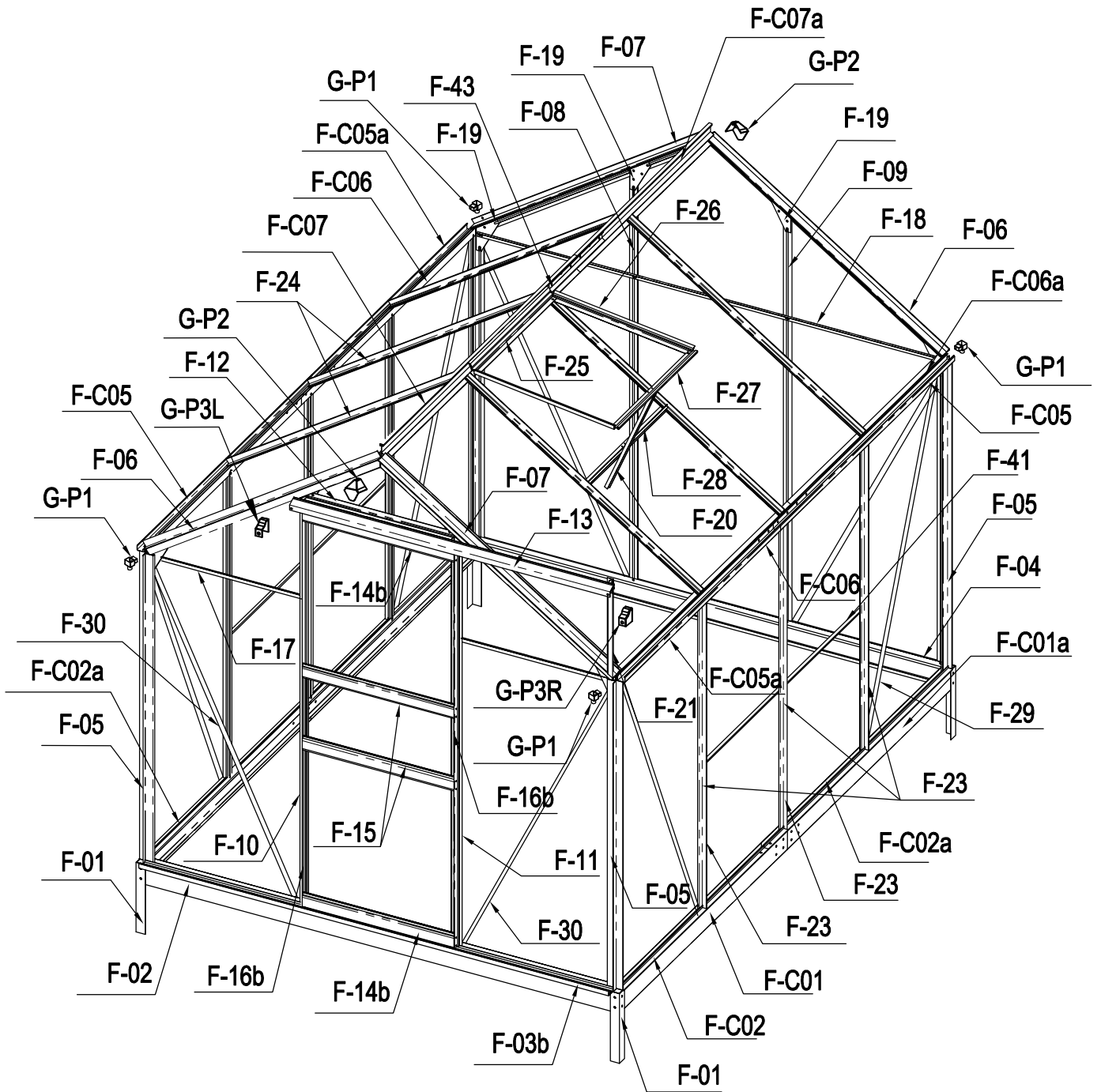
Med vennlig hilsen

Dancover

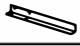
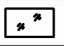




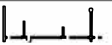
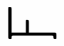


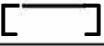





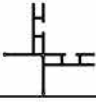
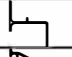
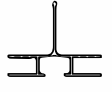

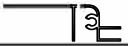


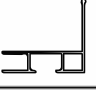





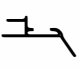





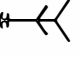

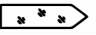



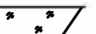
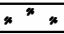
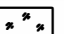
# DRIVHUS

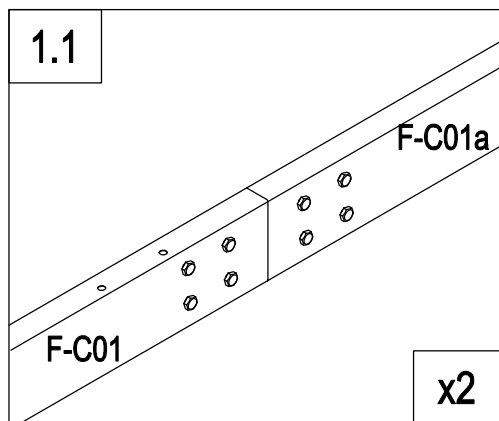
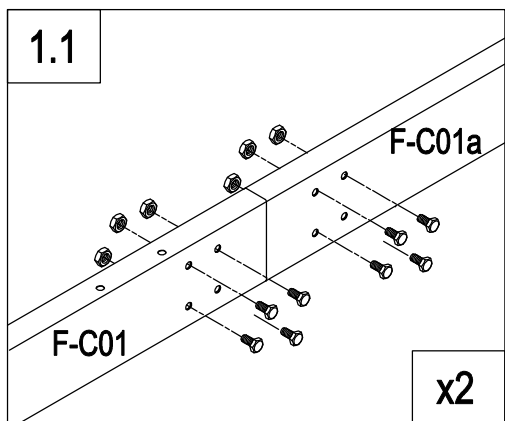
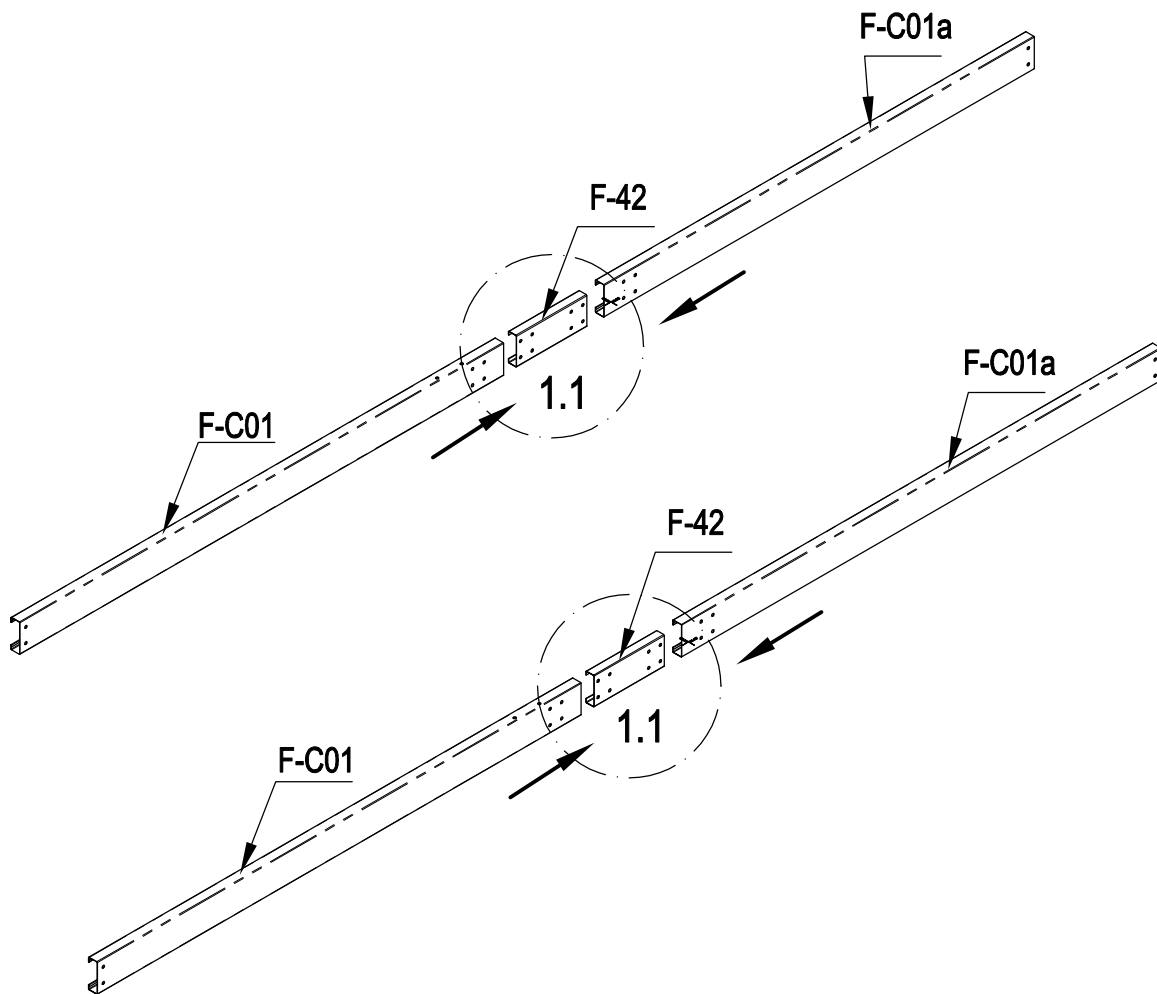
## Manuell



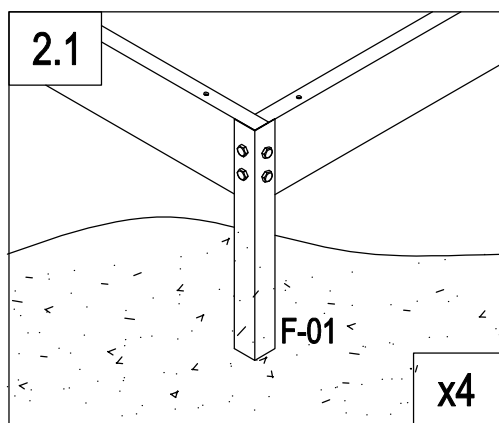
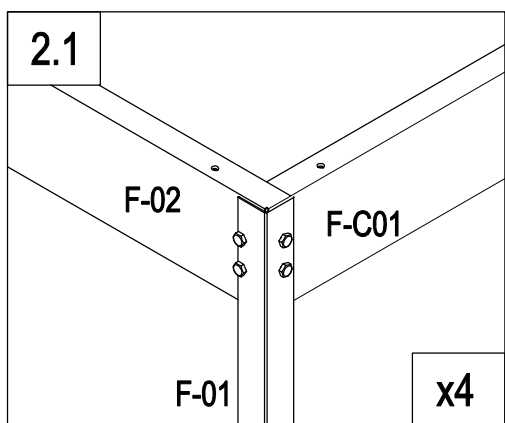
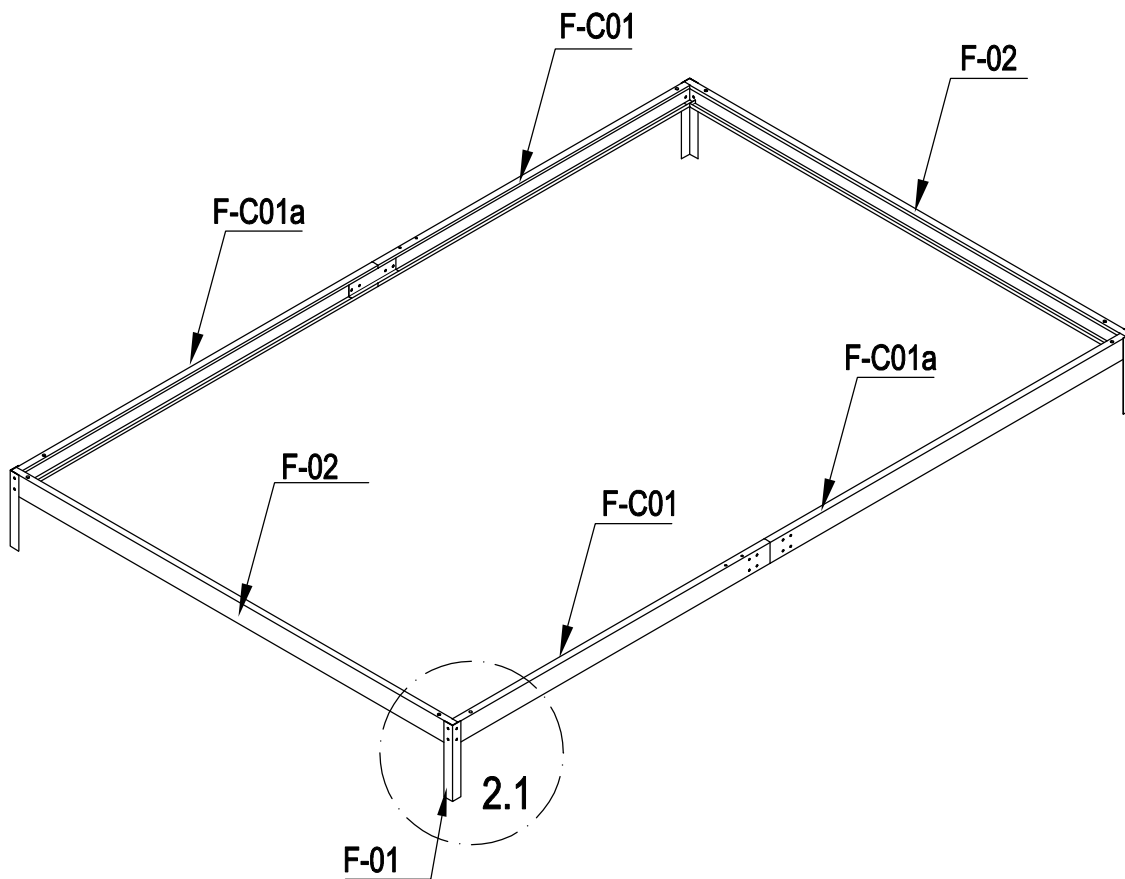


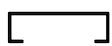

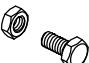
# Part liste

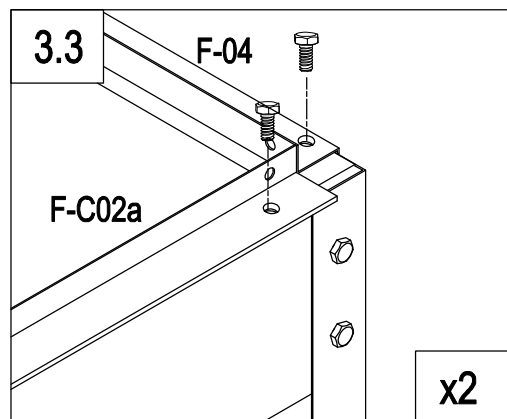
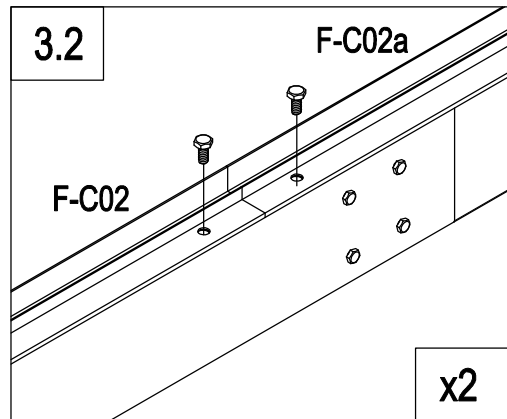
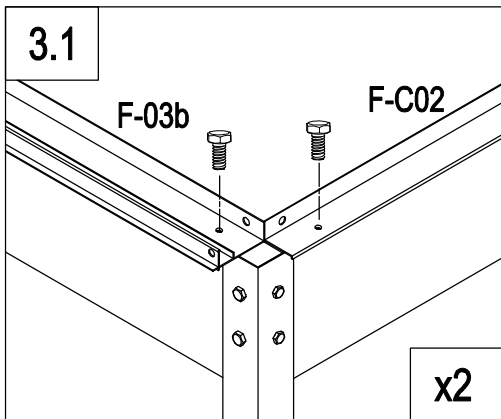
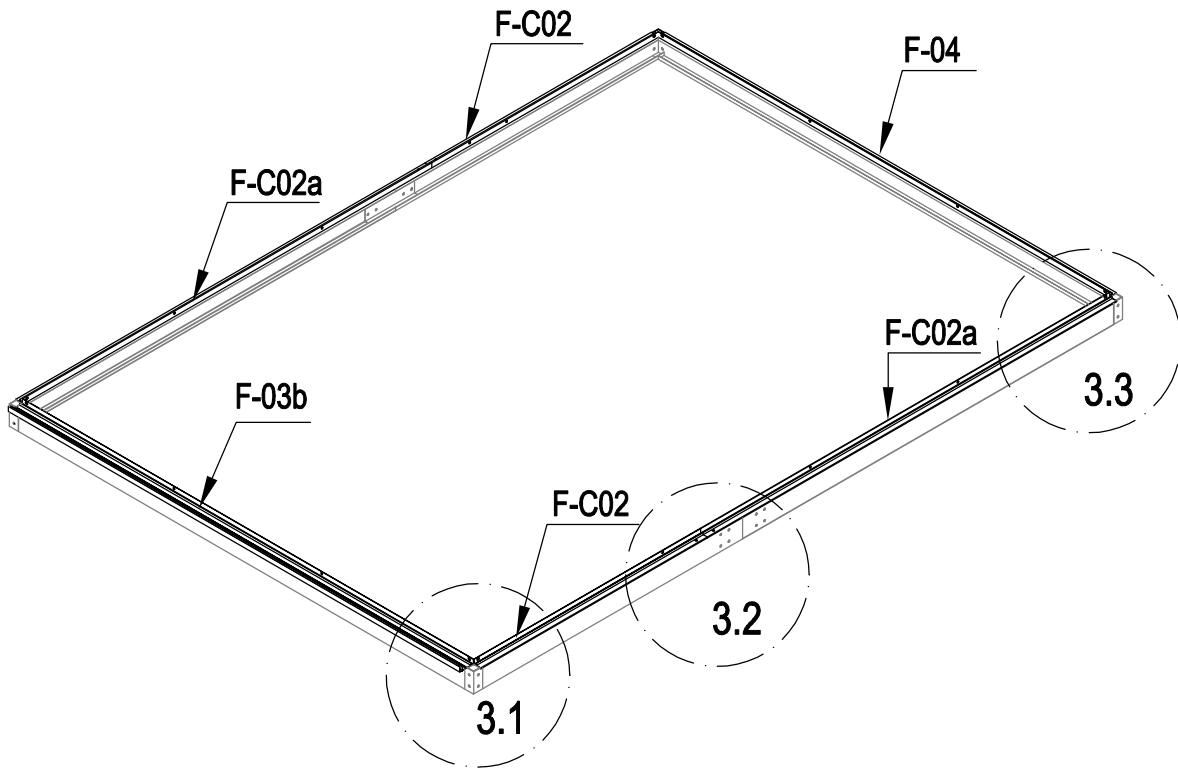
BASE							
	Nummer	L.	antall				
	F-01	280	4		F-36	540x585	1
	F-02	1882	2		F-40		1
	F-C01	1241	2		F-19		8
	F-C01a	1241	2		F-43	390	2
	F-03b	1833	1	VINDU			
	F-04	1833	1	IMAGE	Nummer	L.	antall
	F-C02	1070	2		F-20	360	1
	F-C02a	1362	2		F-25	580	1
	F-42	200	2		F-26	550	2
	F-C13		18		F-27	580	1
VEGG OG TAK					F-28	620	1
	Nummer		antall		F-37	577x583	1
	F-05	1240	4	DØR			
	F-06	1105	2		Nummer	L.	antall
	F-07	1105	2		F-12	572.5	1
	F-08	1650	1		F-13	1240	1
	F-09	1650	1		F-14b	600	2
	F-23	1240	6		F-15	600	2
	F-24	1100	6		F-16b	1615	2
	F-10	1644	1		F-21	376	1
	F-11	1644	1		F-22b		4
	F-C05	1286	2		F-38	590x598	2
	F-C05a	1150	2		F-39	251x598	1
	F-C06	1288	2	PLAST			
	F-C06a	1144	2	IMAGE	NO.	L.	QTY
	F-17	618	6		G-P1		4
	F-18	1815	1		G-P2		2
	F-29	1360	4		G-P3L		1
	F-30	1328	4		G-P3R		1
	F-41	1216	2	SKRU			
	F-C07	1432	1	IMAGE	NO.	L.	QTY
	F-C07a	1000	1		F-C14		178
	F-31	1850X585	1	ST4x10 	F-C15a		12
	F-32	1644X585	2	ST4x8 	F-C16		6
	F-33	1644X585	2				
	F-34	1238x585	8				
	F-35	1110x585	7				




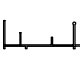
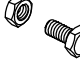


	F-C01	2
	F-C01a	2
	F-42	2
	F-C14	16

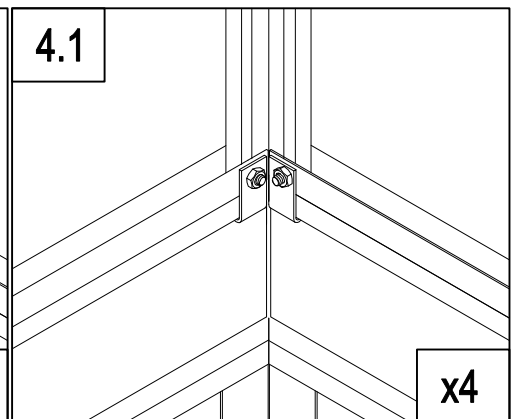
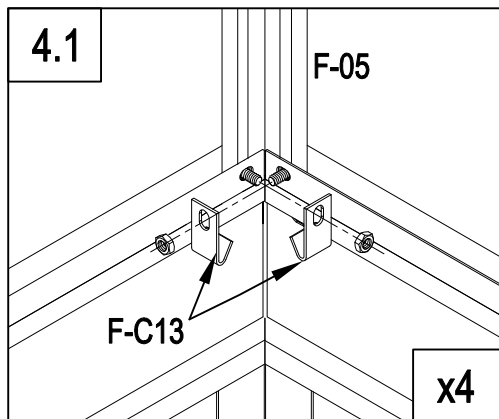
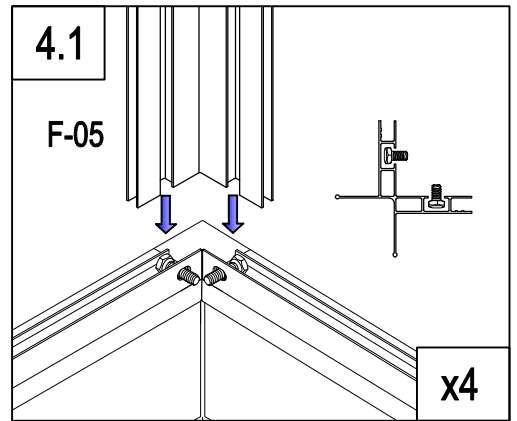
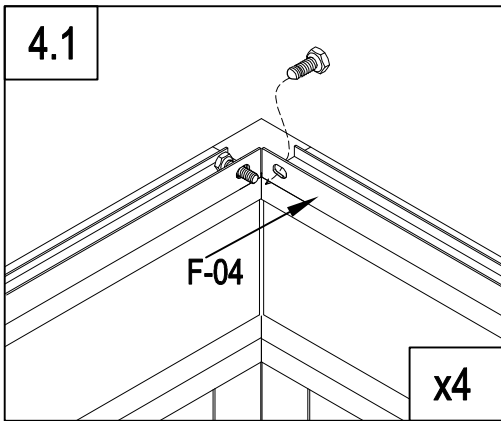
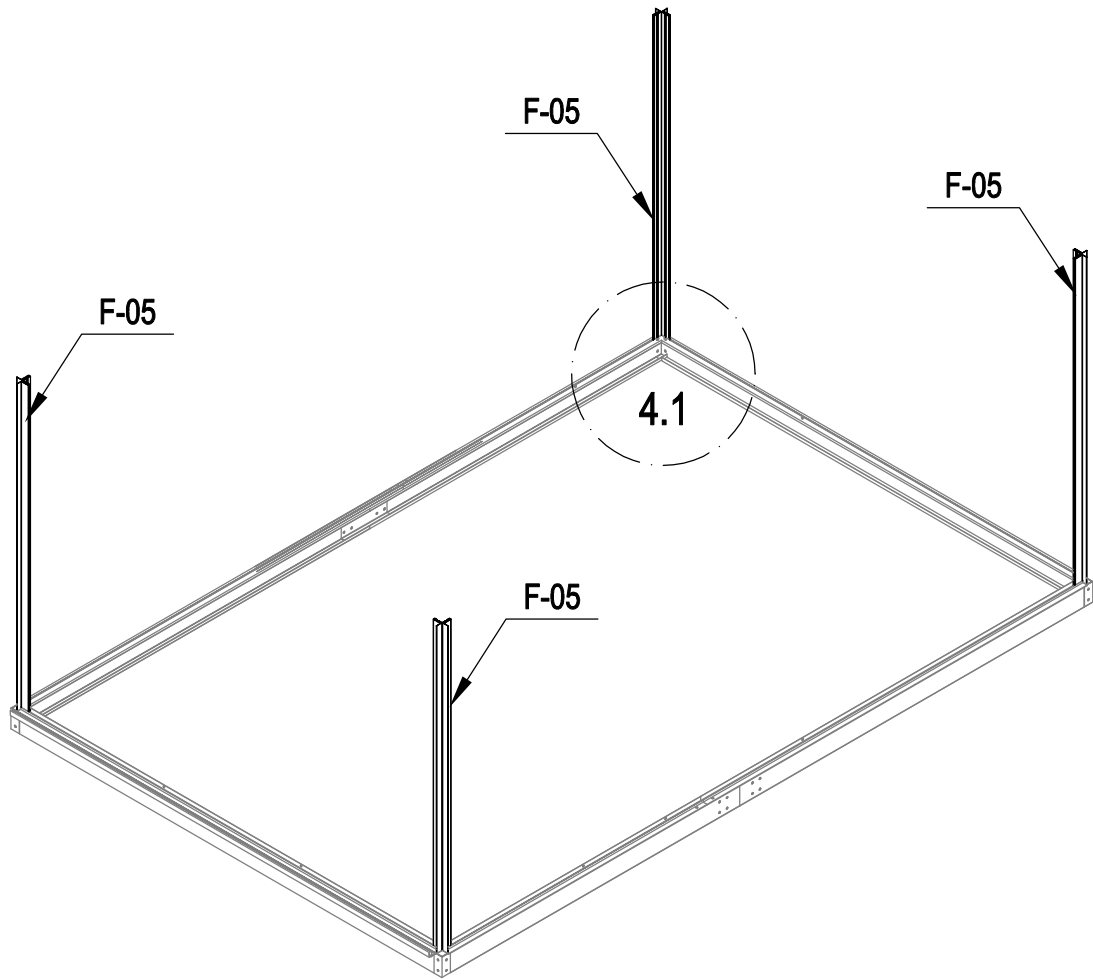


	F-02	2
	F-01	4
	F-C14	16

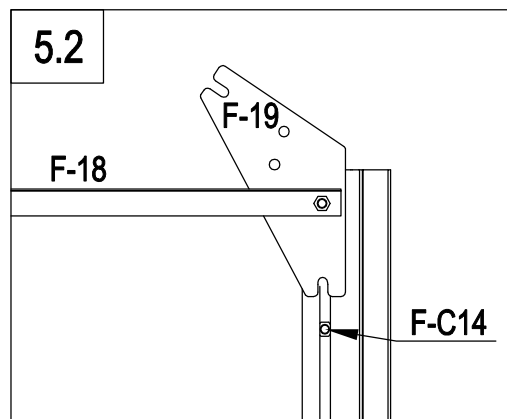
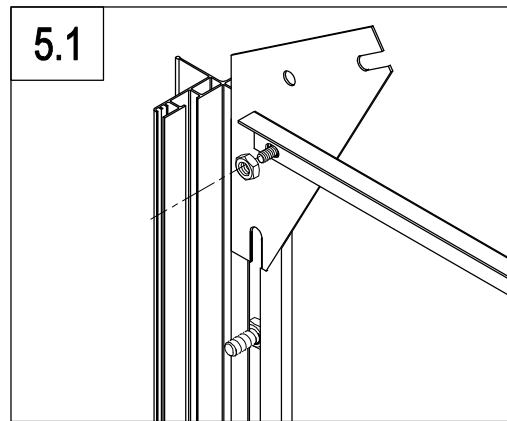
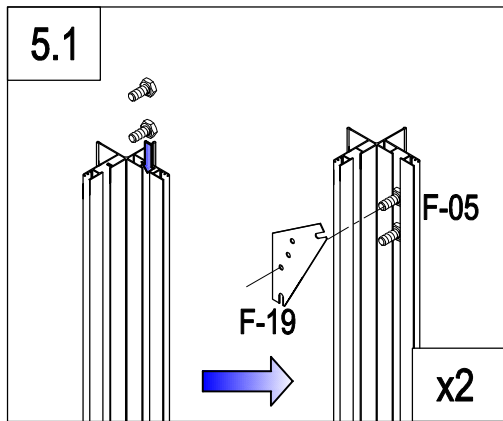
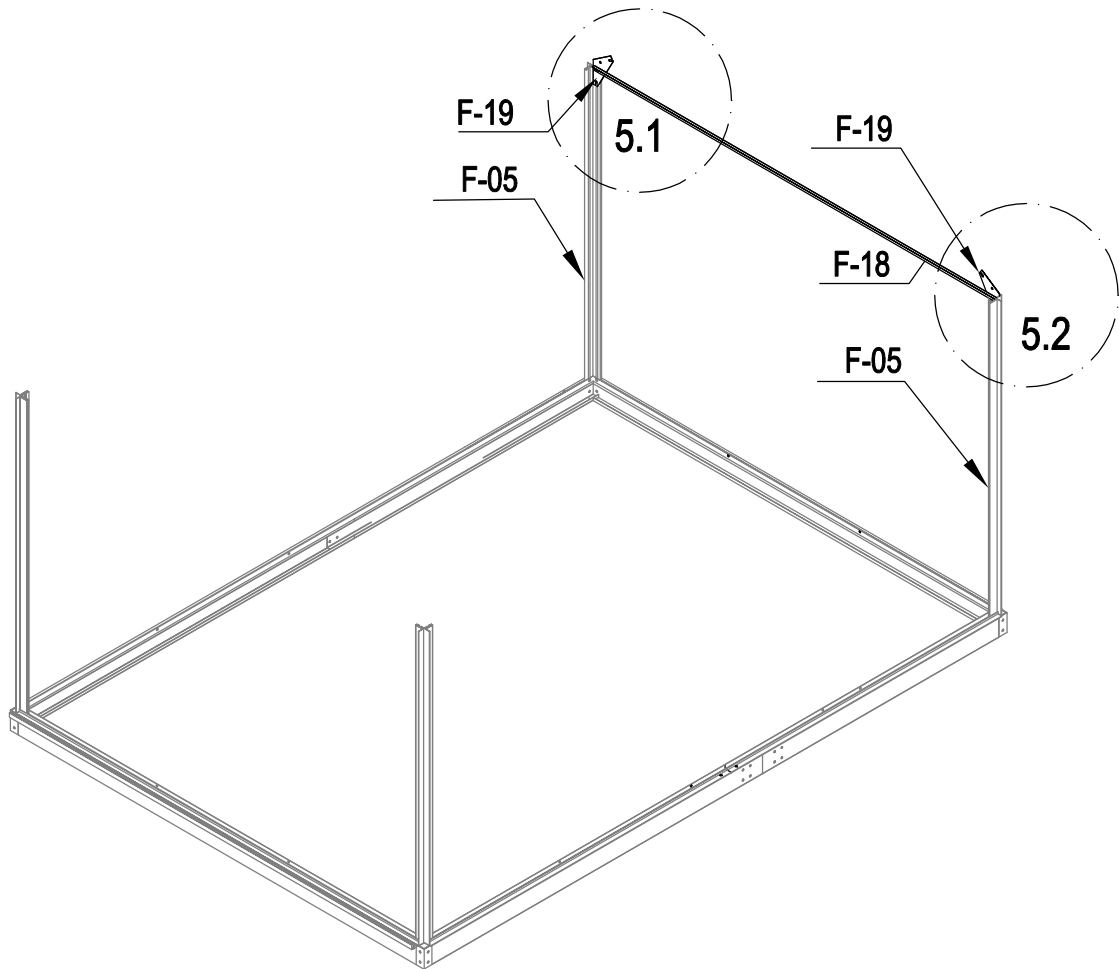




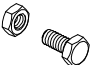
	F-C02	2
	F-C02a	2
	F-04	1
	F-03b	1
	F-C14	12

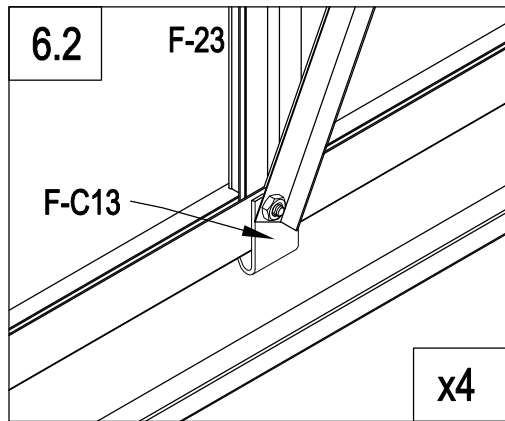
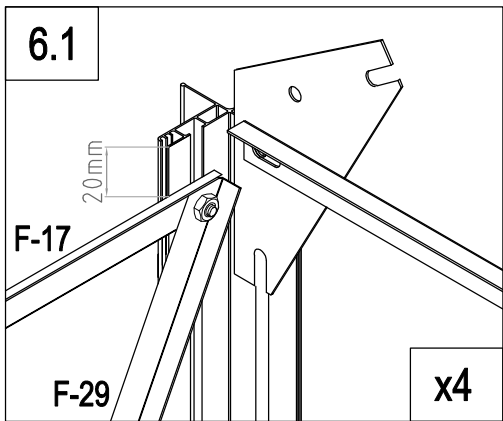
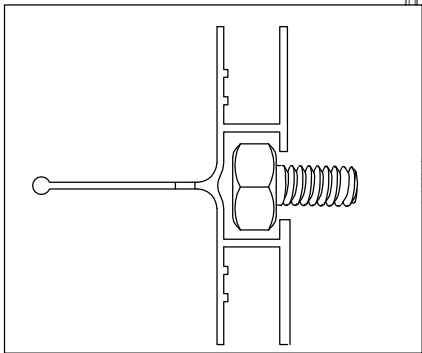
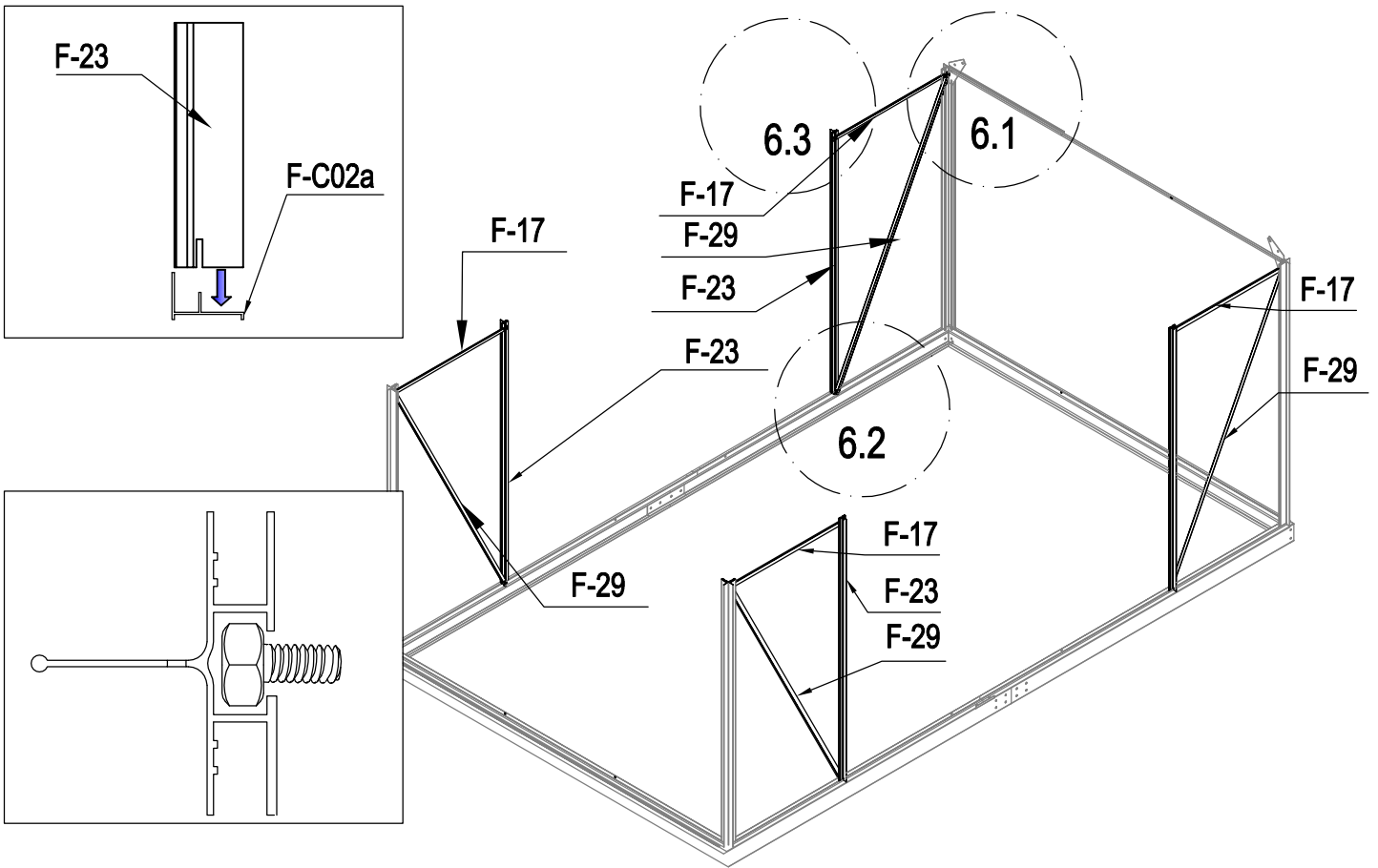




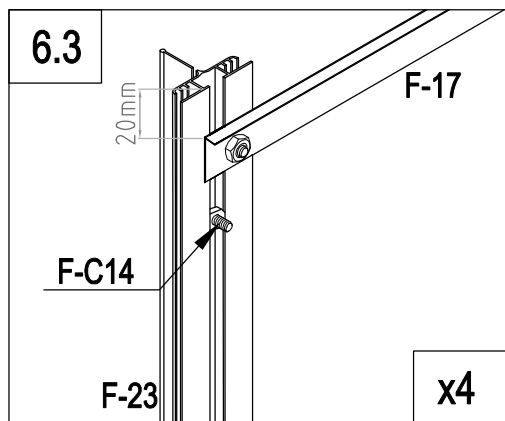
	F-05	4
	F-C13	8
	F-C14	8

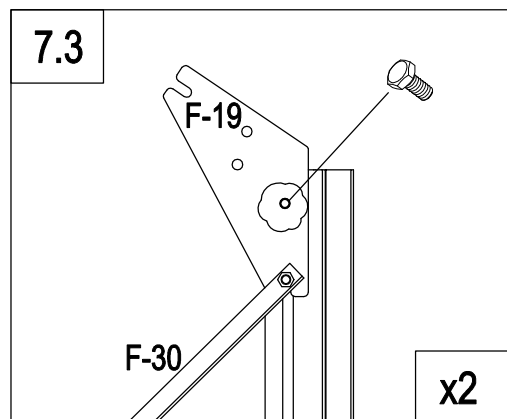
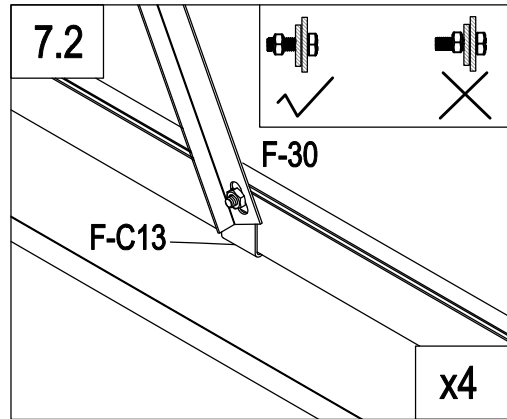
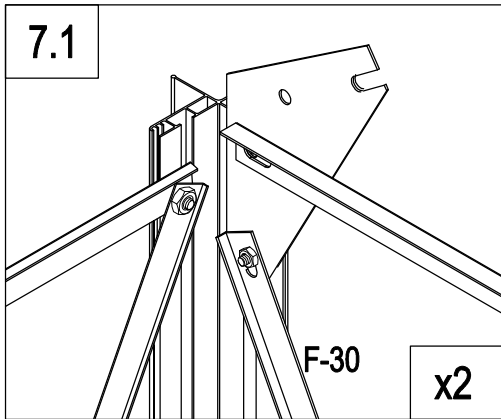
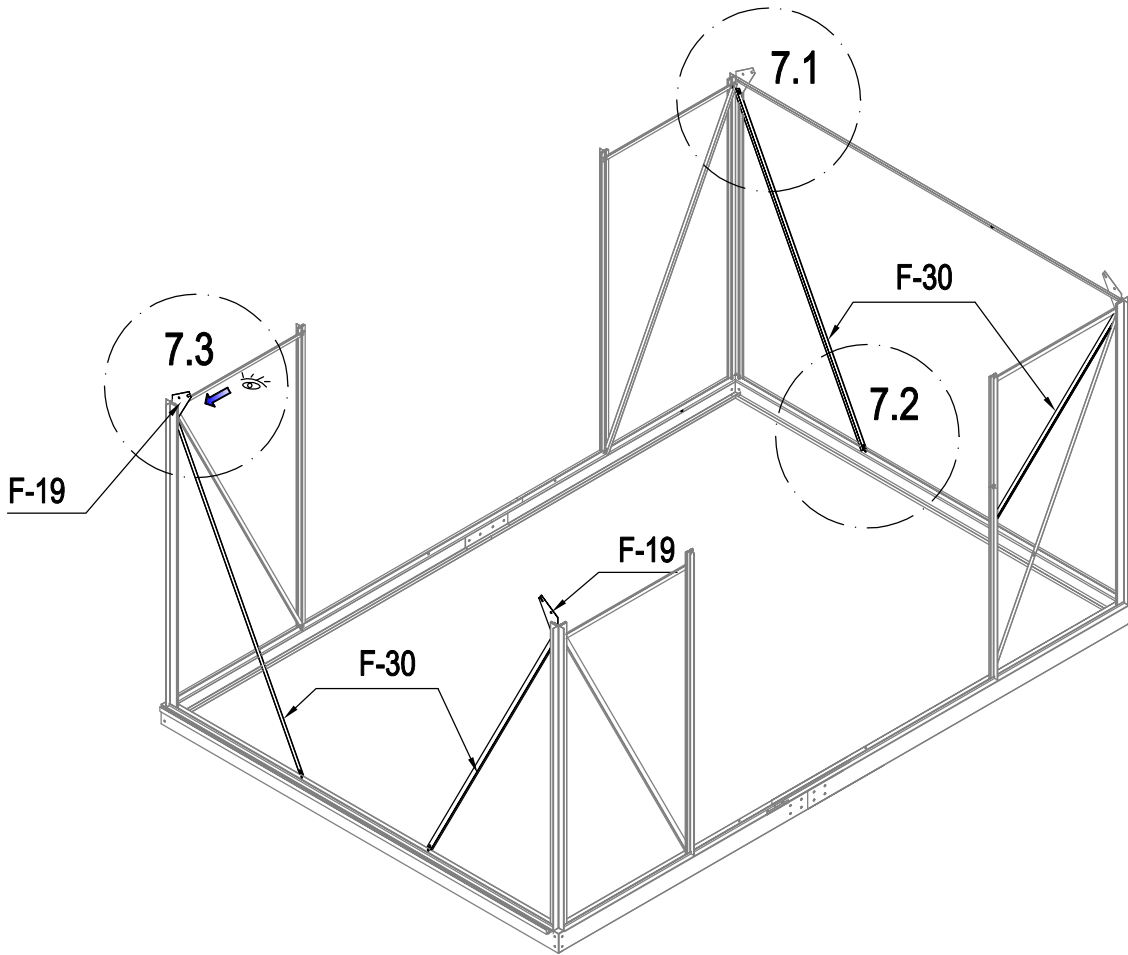


	F-18	1
	F-19	2
	F-C14	4

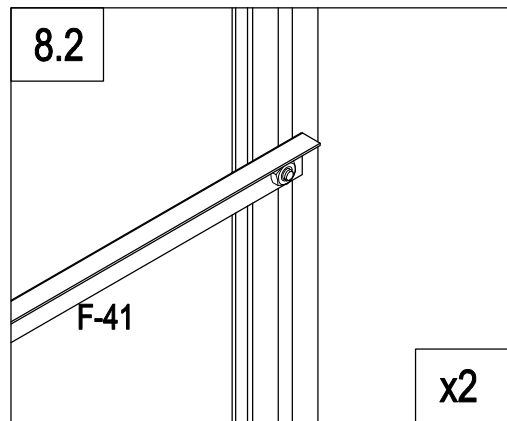
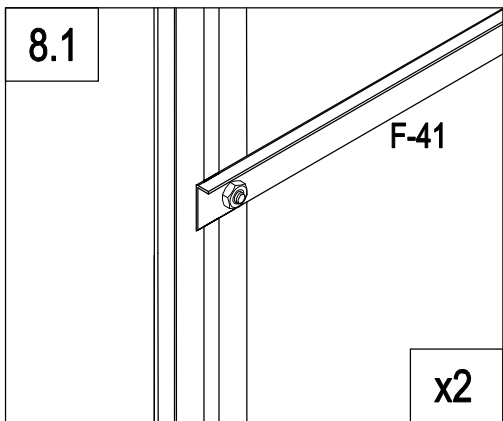
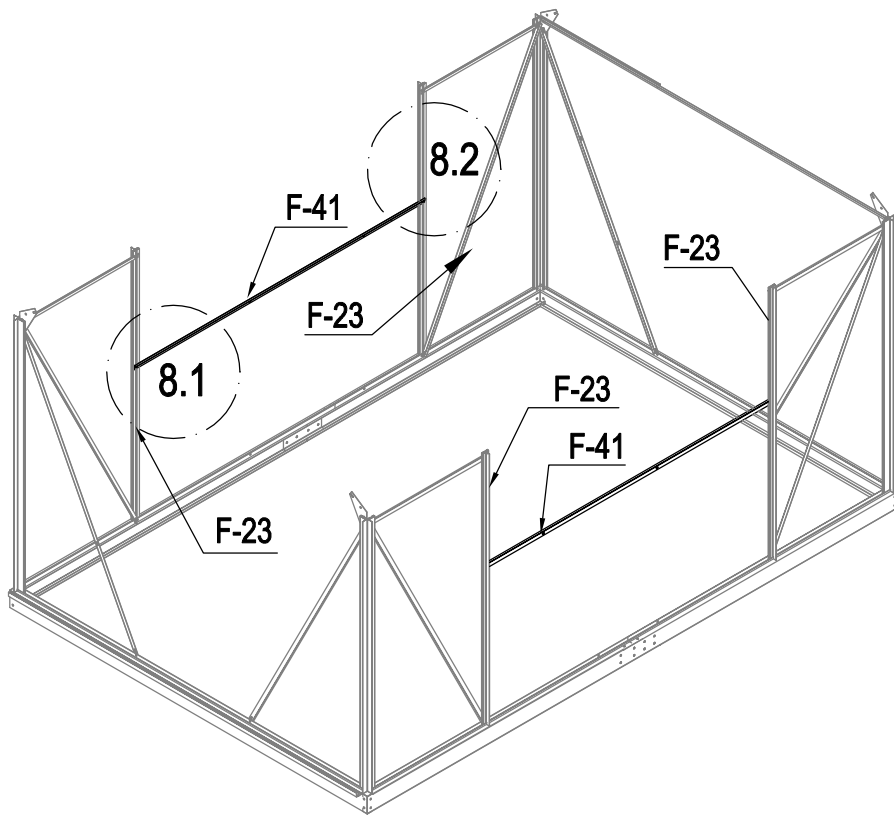




	<b>F-C13</b>	<b>4</b>
	<b>F-17</b>	<b>4</b>
	<b>F-23</b>	<b>4</b>
	<b>F-29</b>	<b>4</b>
	<b>F-C14</b>	<b>16</b>
	<b>F-C14</b>	<b>12</b>

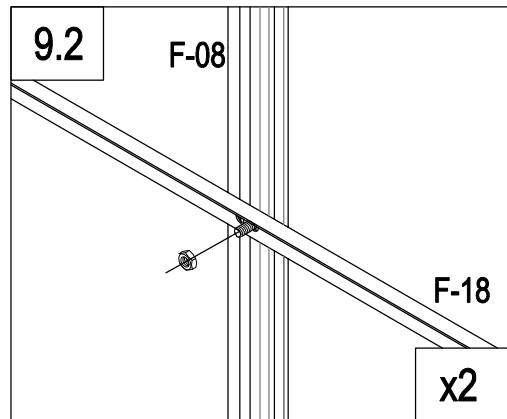
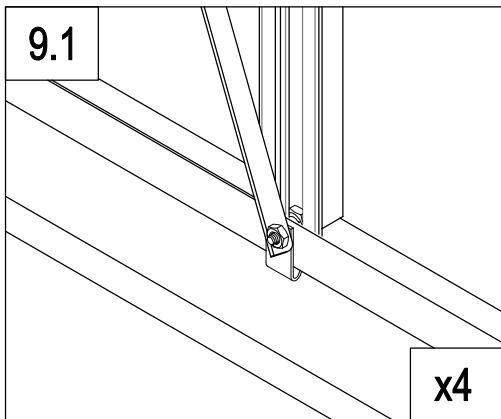
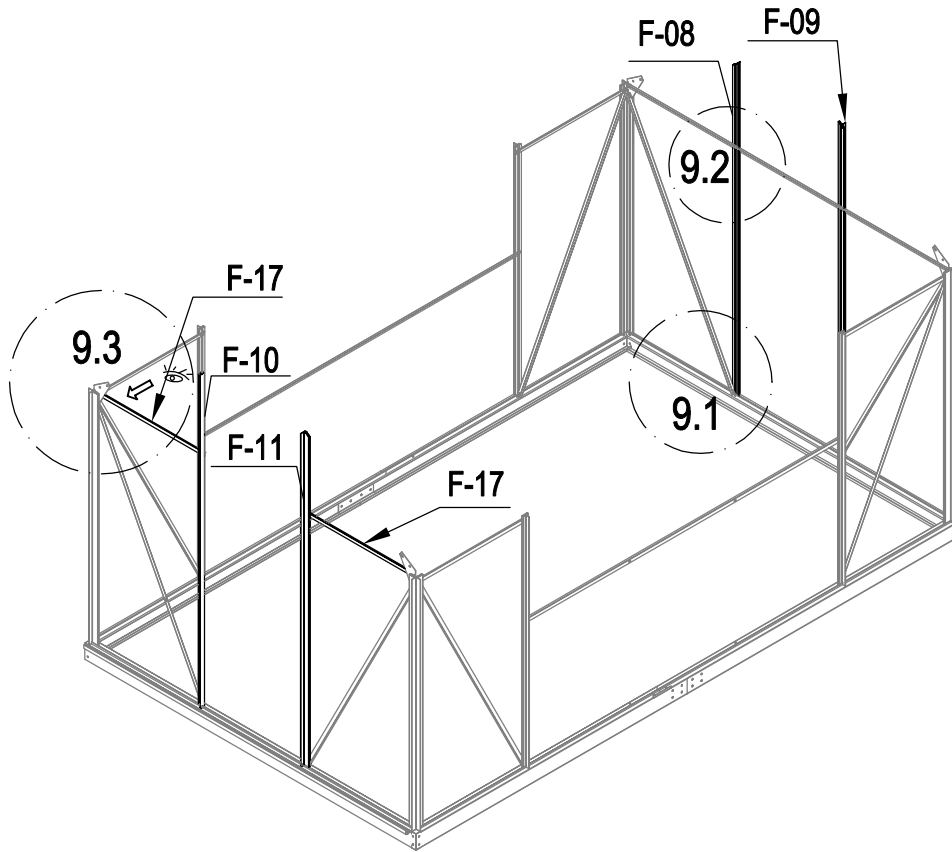


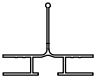
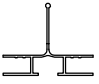
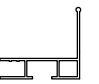
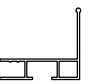

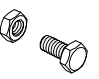


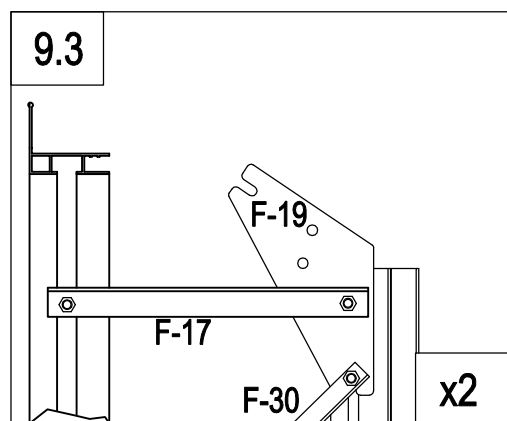
	F-C13	4
	F-30	4
	F-19	2
	F-C14	8

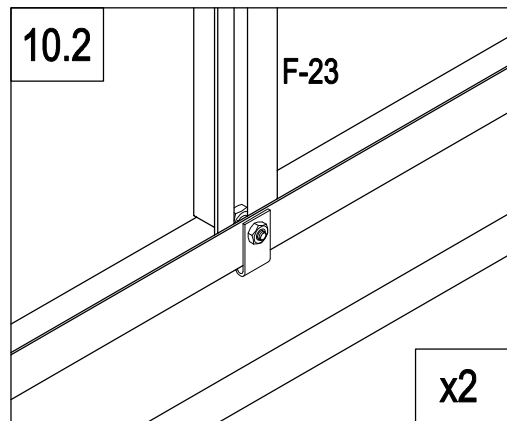
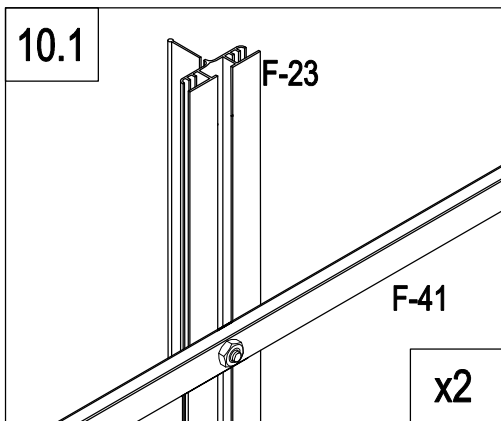
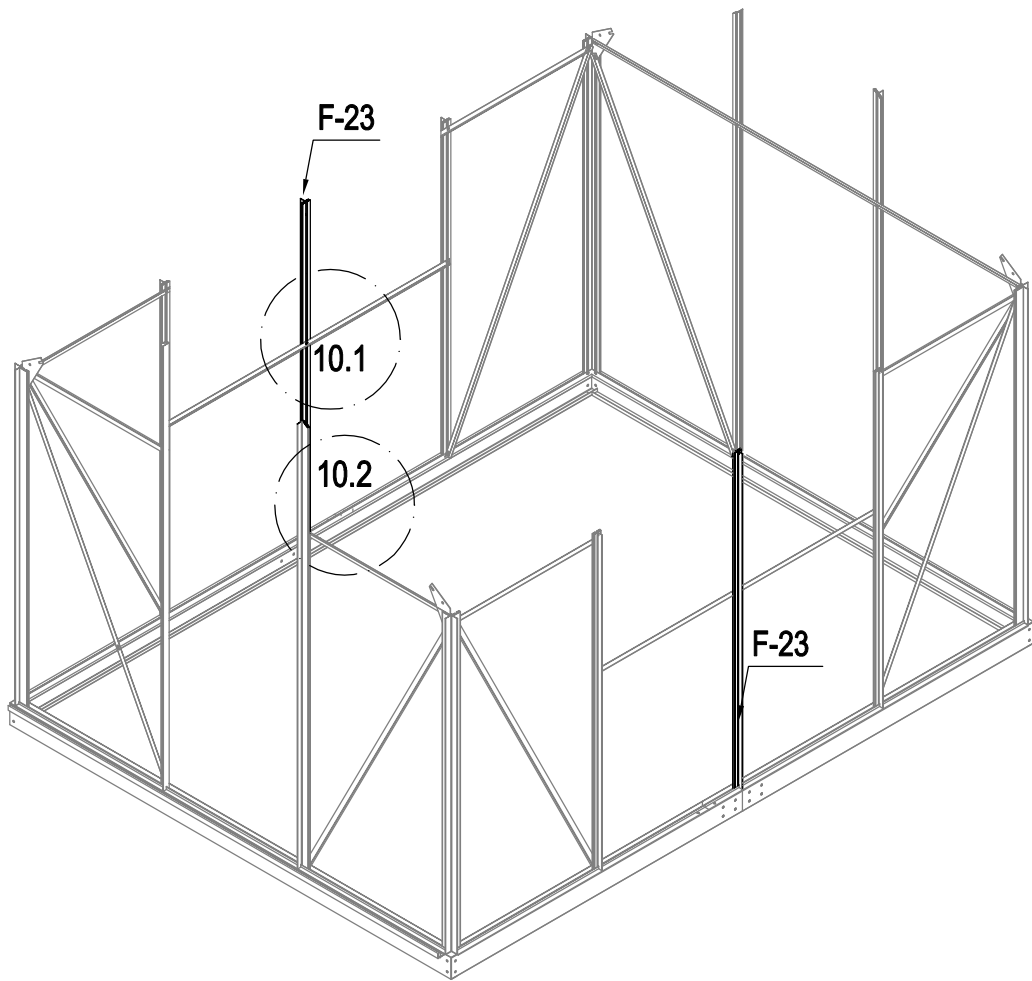


	F-41	2
	F-C14	4

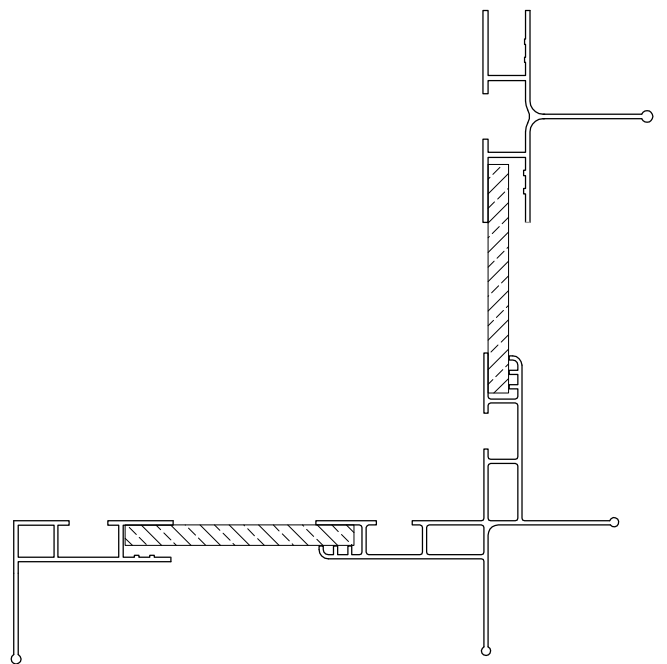
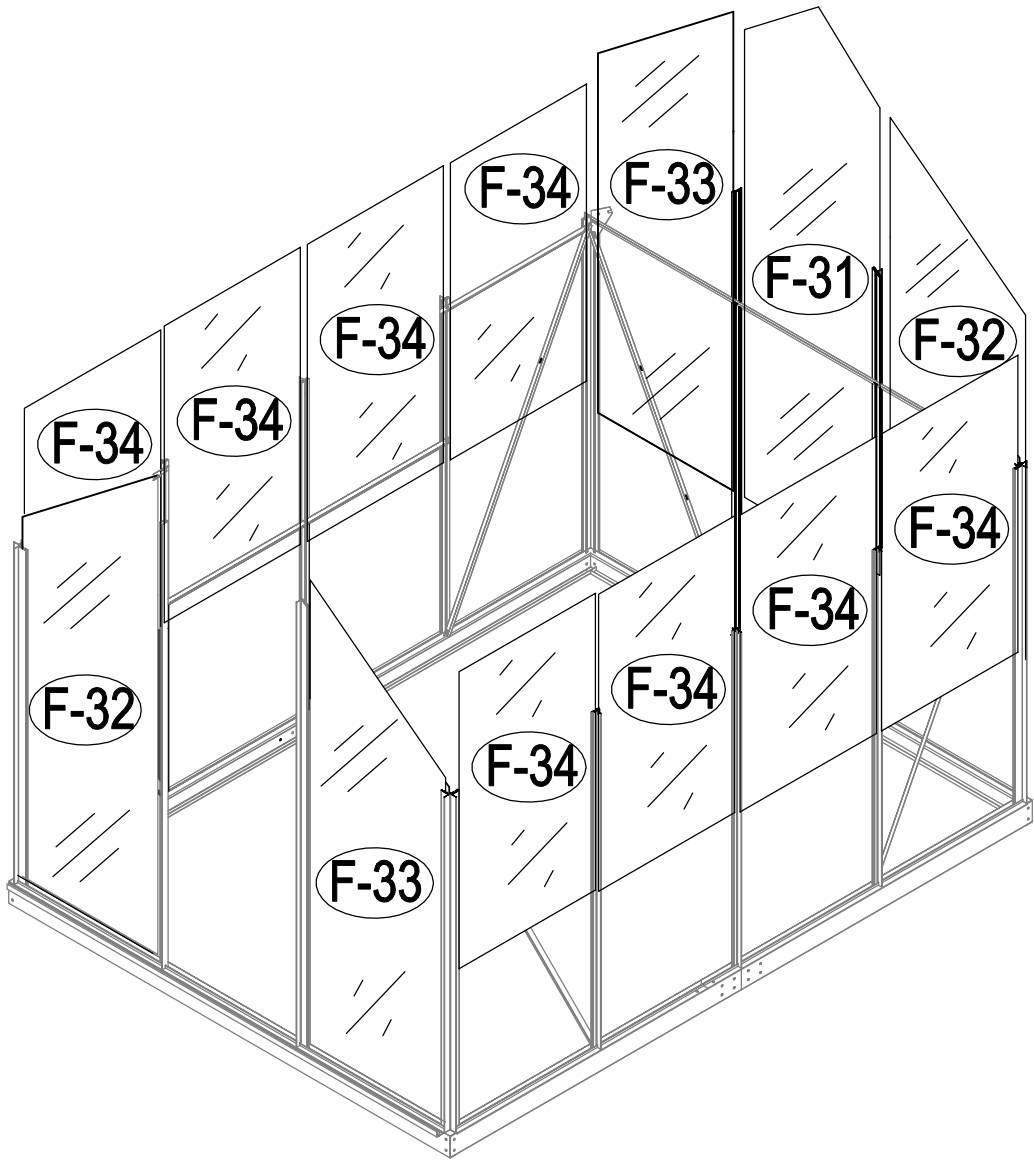


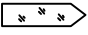
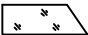
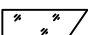
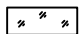
	F-08	1
	F-09	1
	F-10	1
	F-11	1
	F-17	2
	F-C14	4



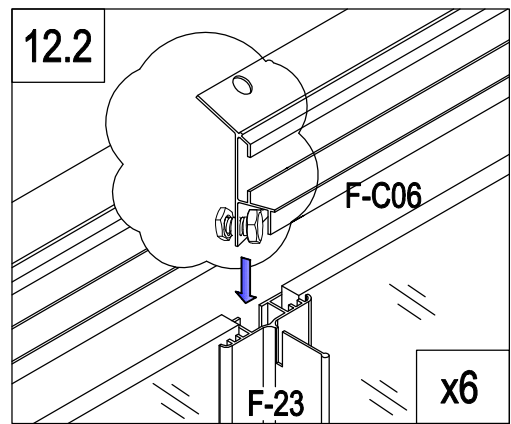
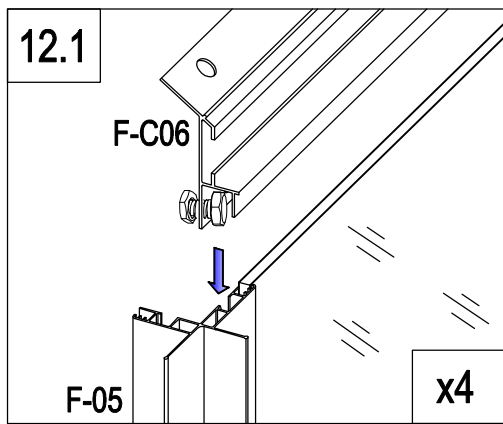
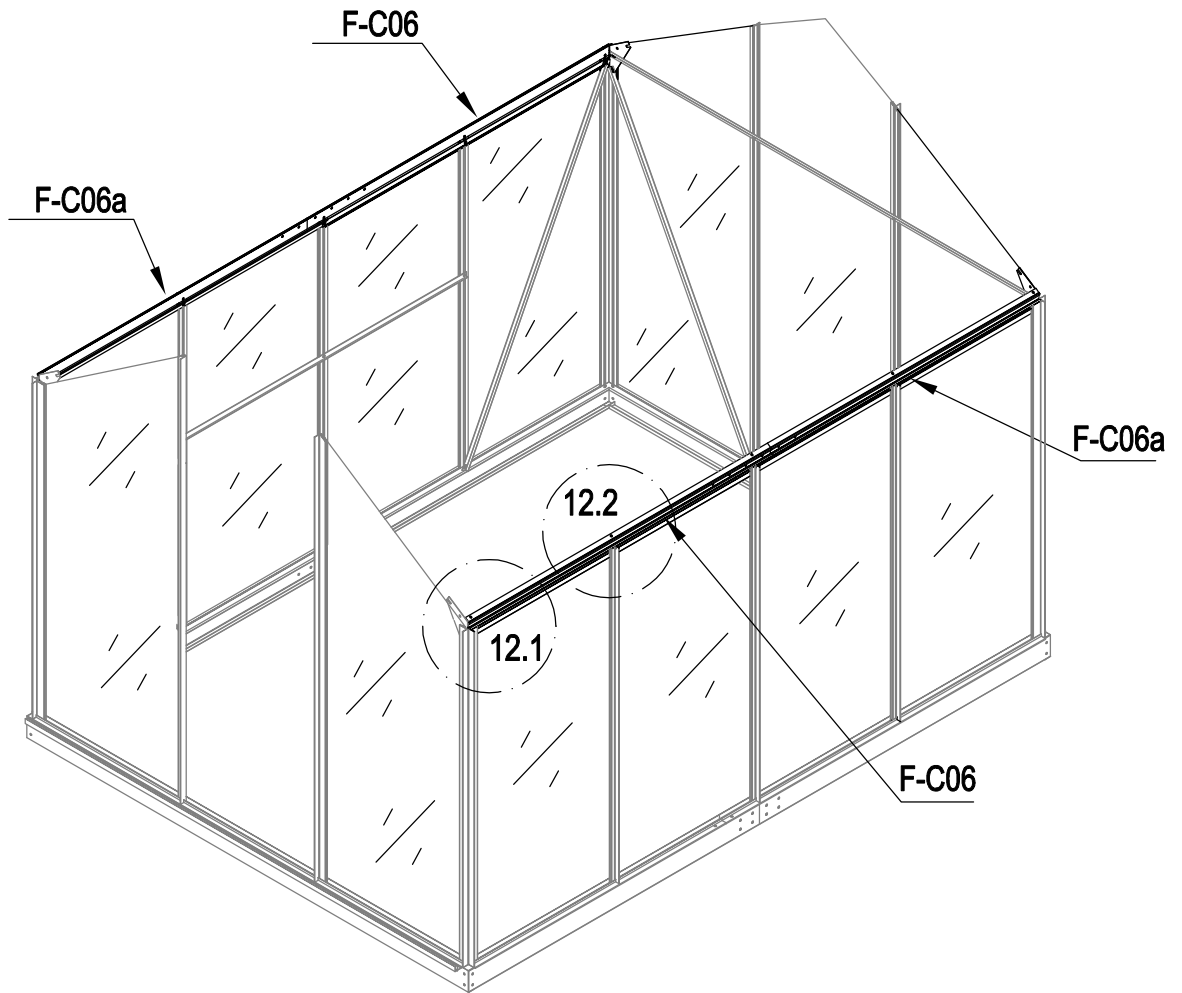


	F-C13	2
	F-23	2
	F-C14	4

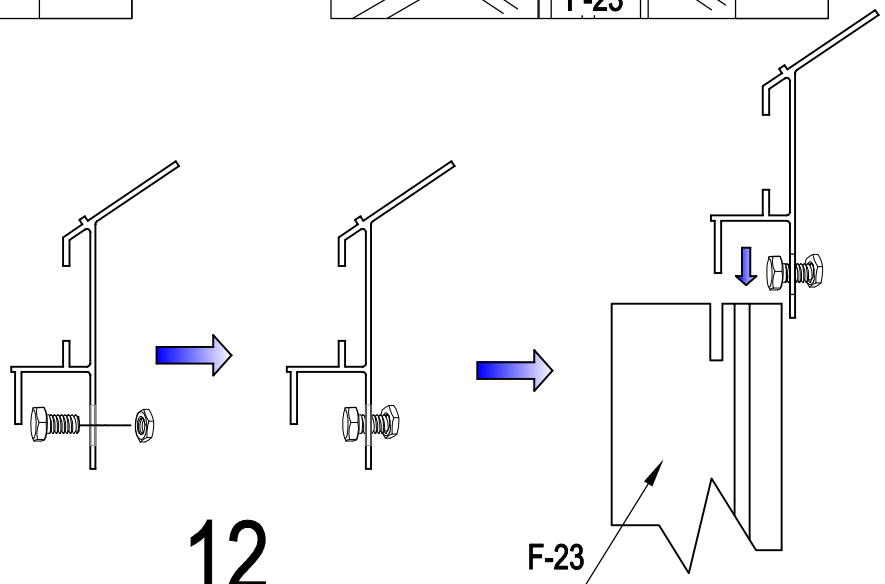


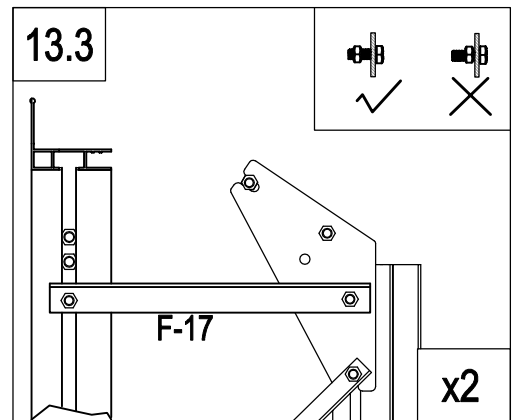
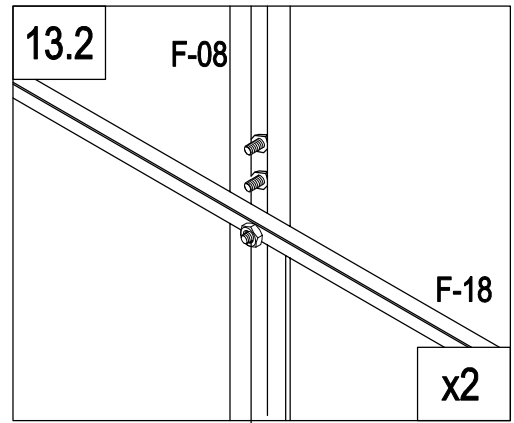
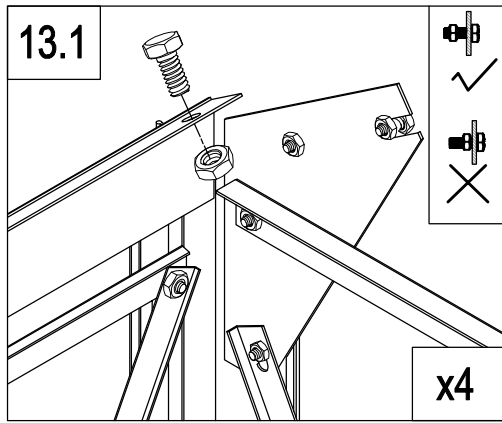
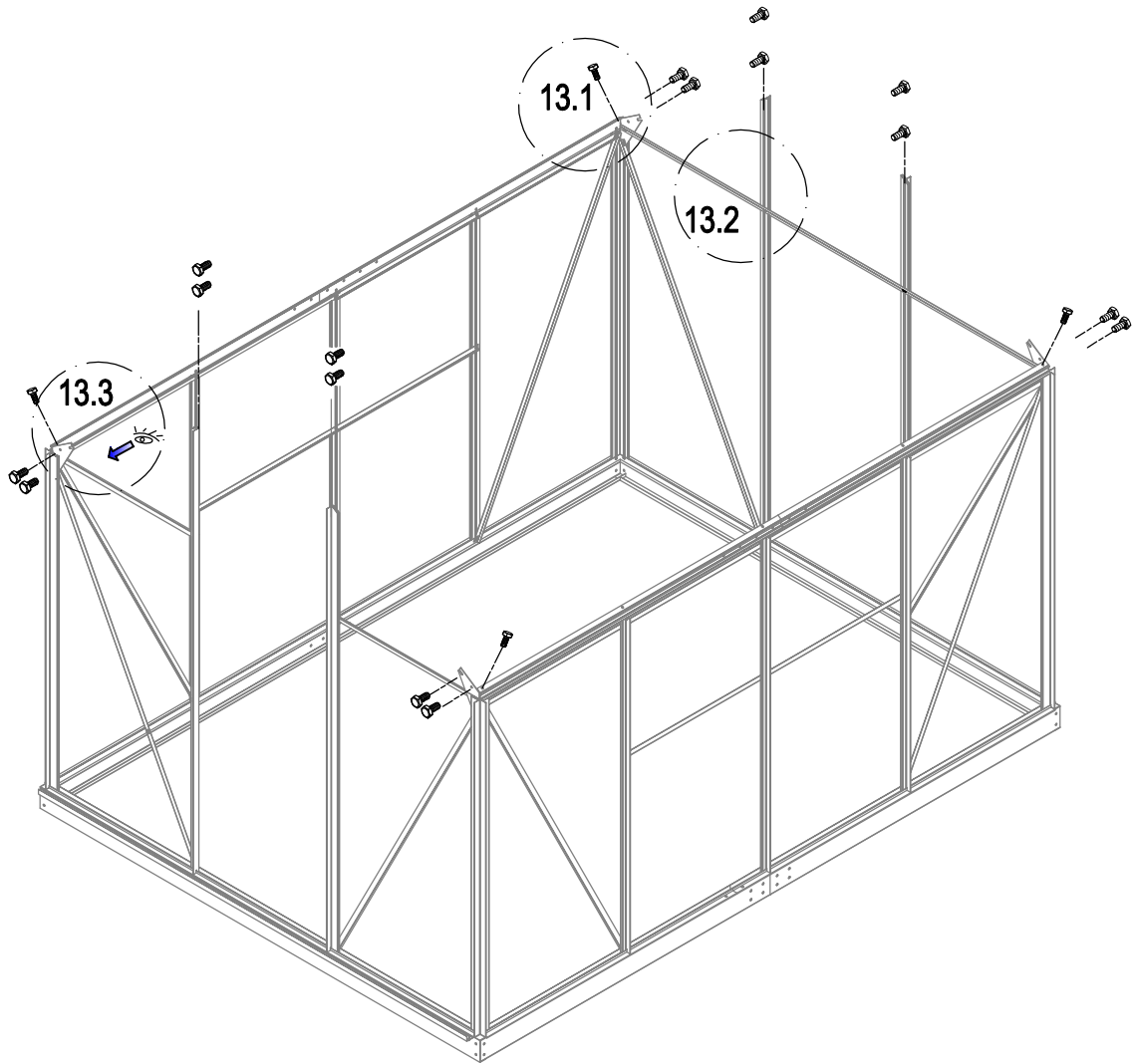
	F-31	1
	F-32	2
	F-33	2
	F-34	8



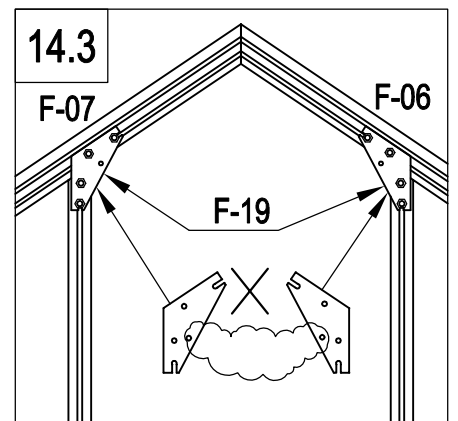
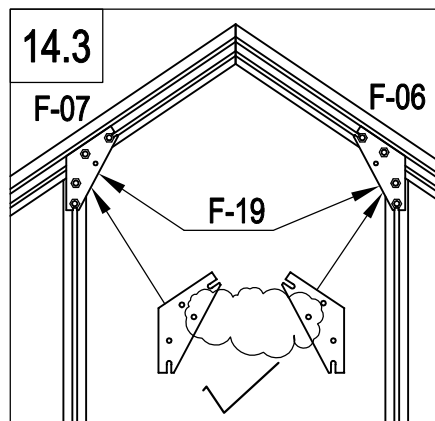
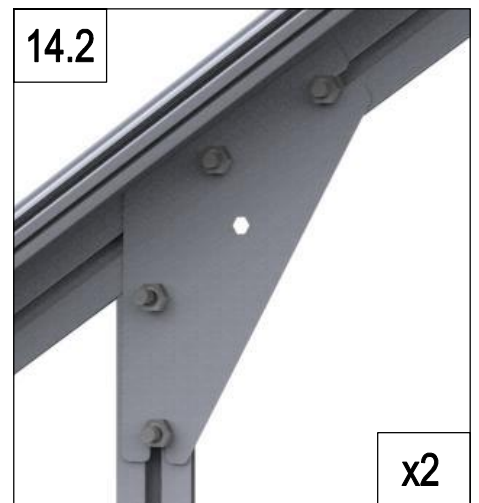
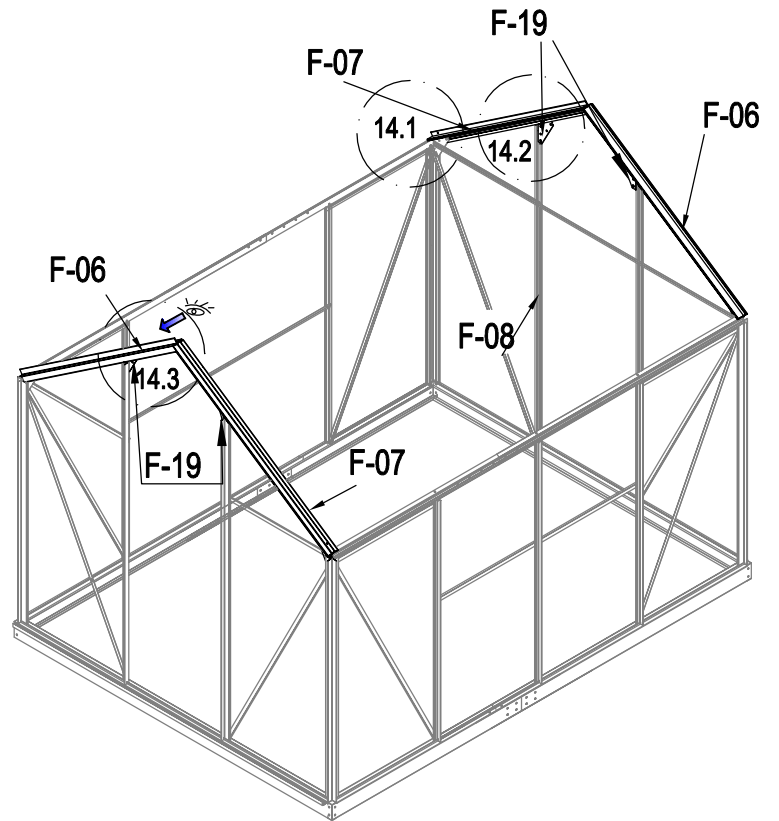
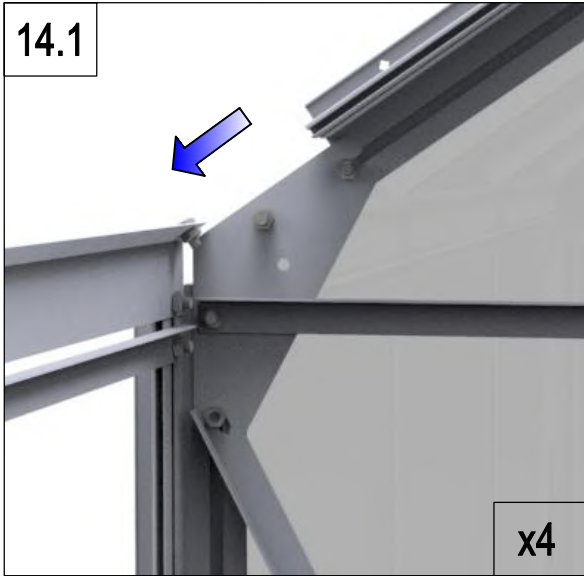


	F-C06	2
	F-C06a	2
	F-C14	10

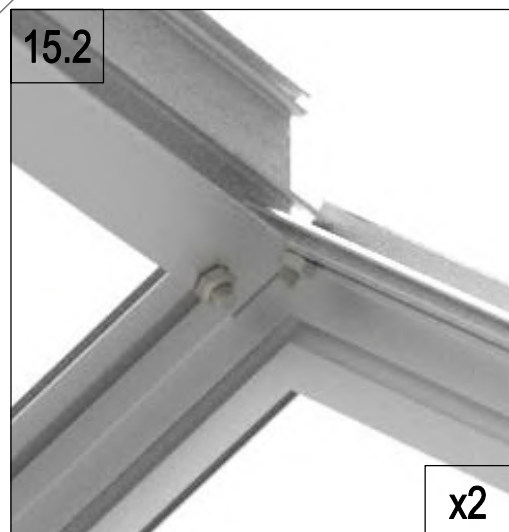
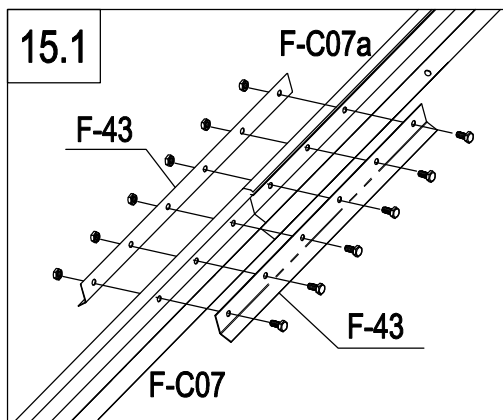
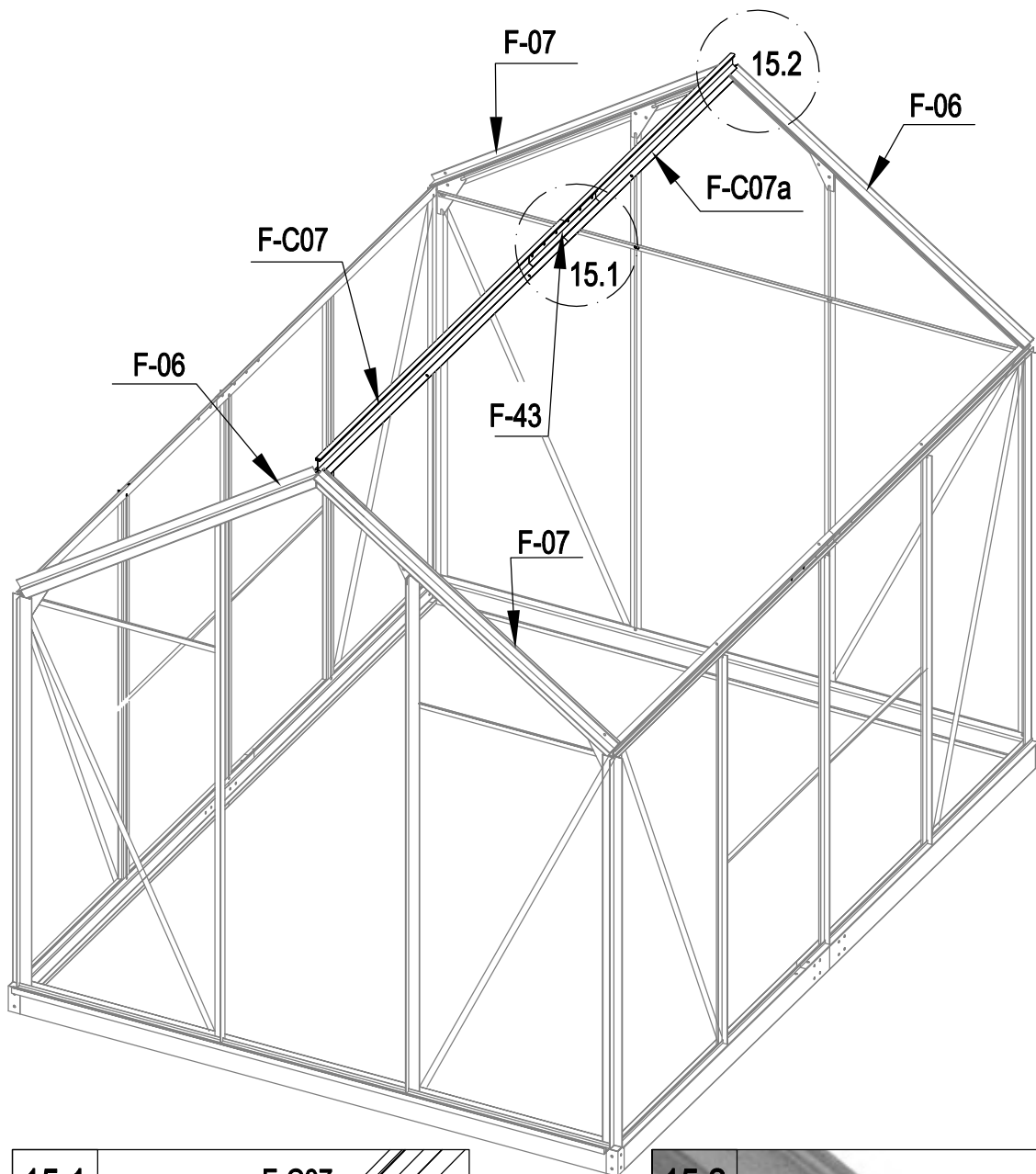




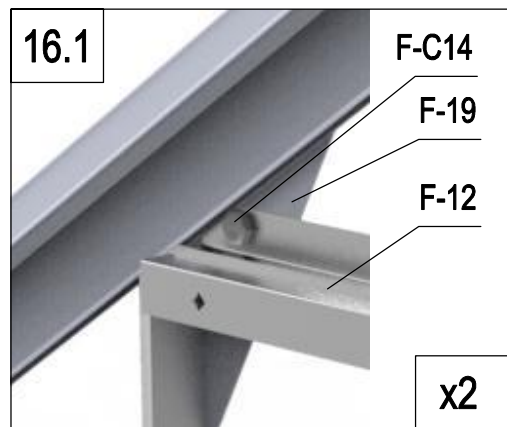
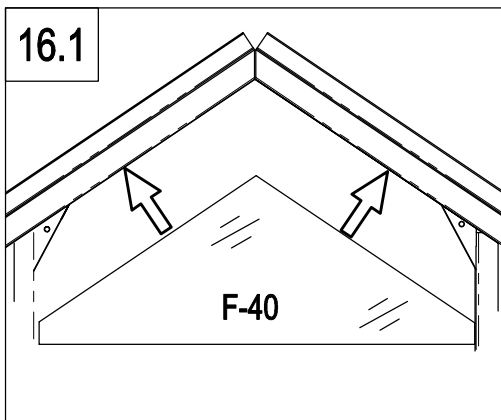
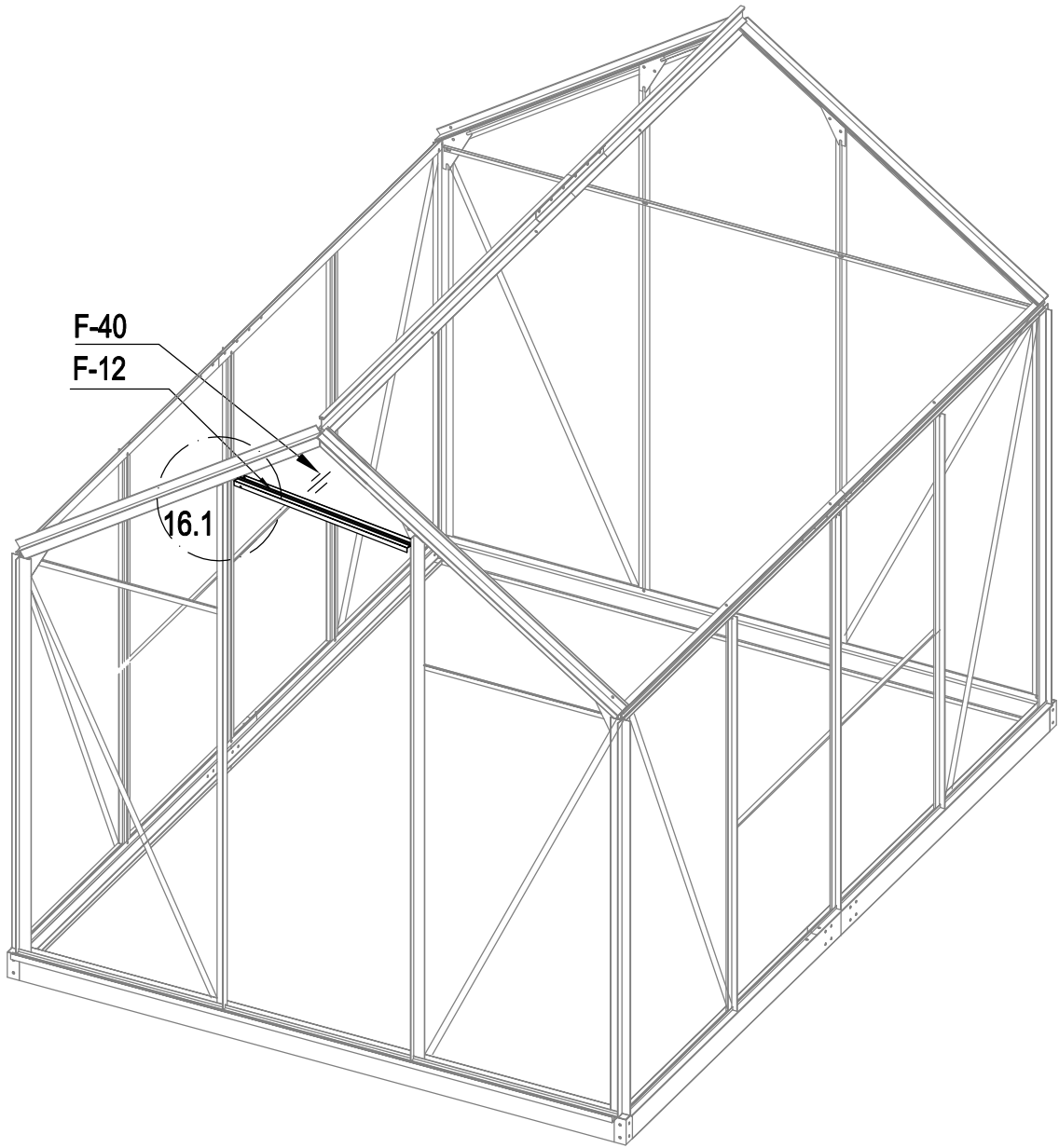
	<b>F-C14</b>	<b>20</b>
--	--------------	-----------



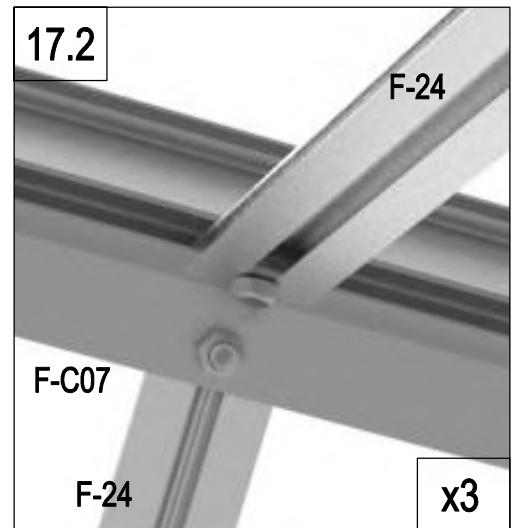
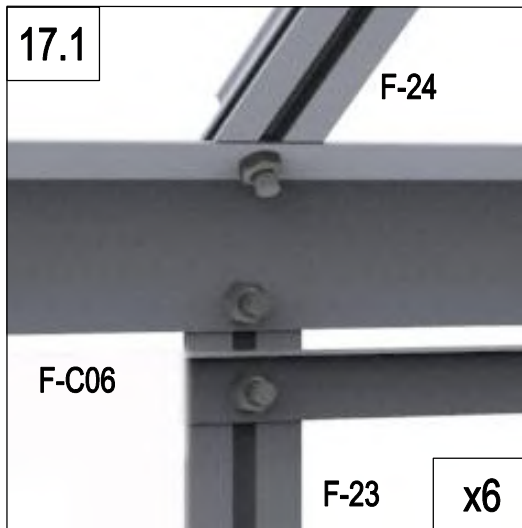
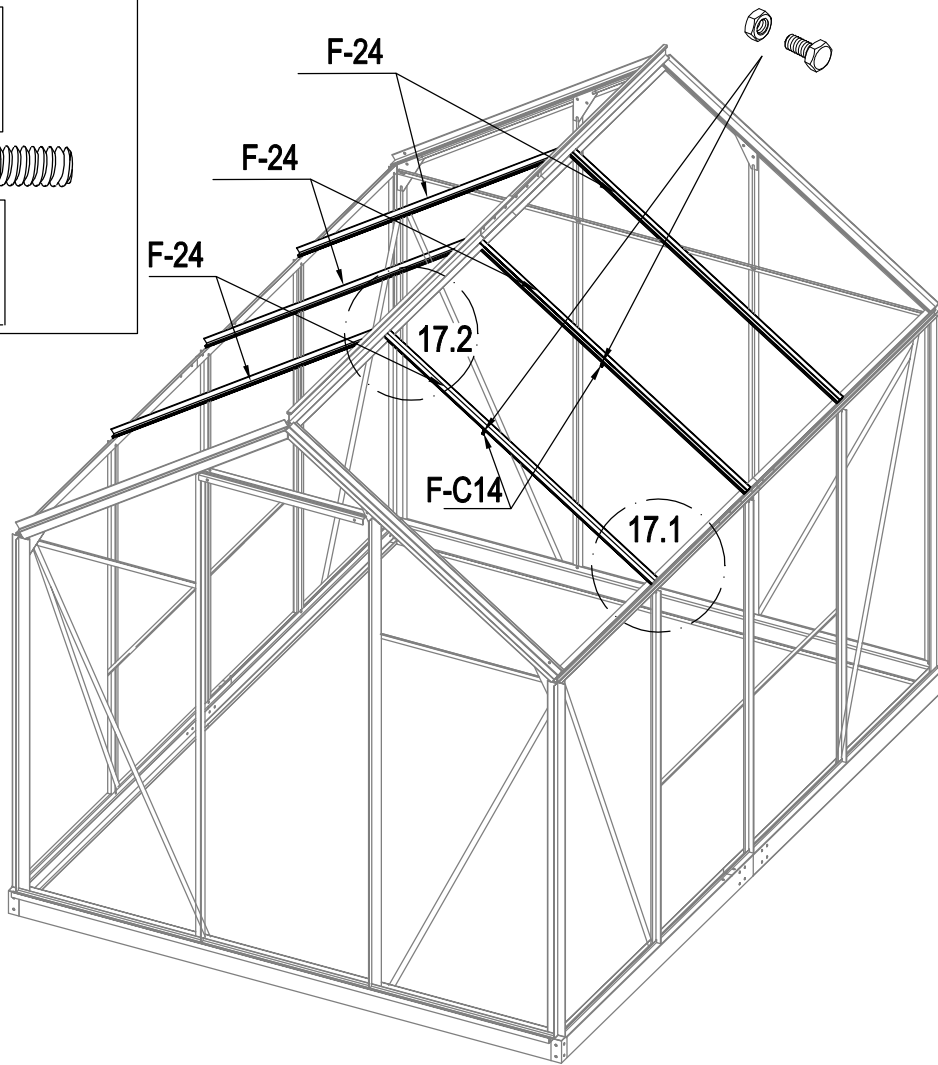
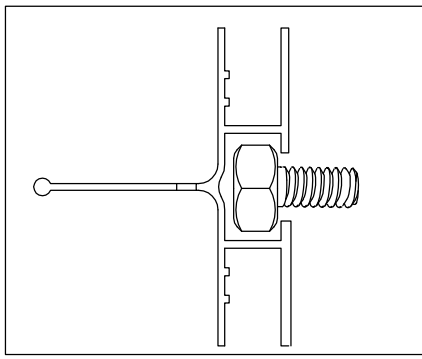
	F-06	2
	F-07	2
	F-19	4
	F-C14	8

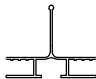
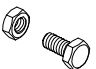


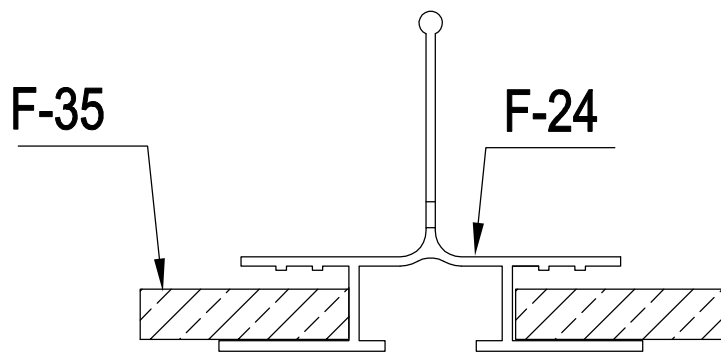
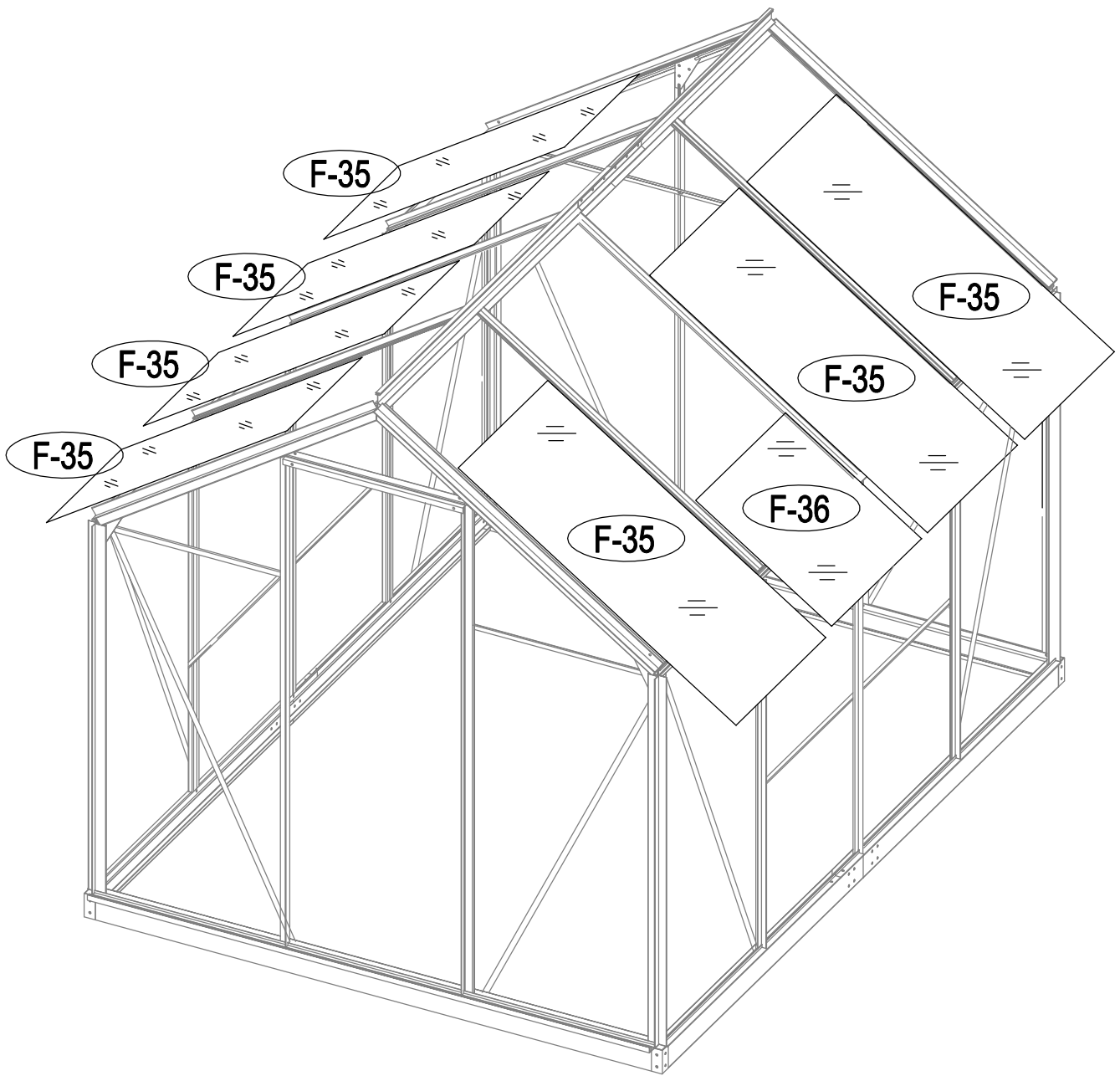
	F-C07	1
	F-C07a	1
	F-43	2
	F-C14	10



	F-12	1
	F-40	1
	F-C14	2

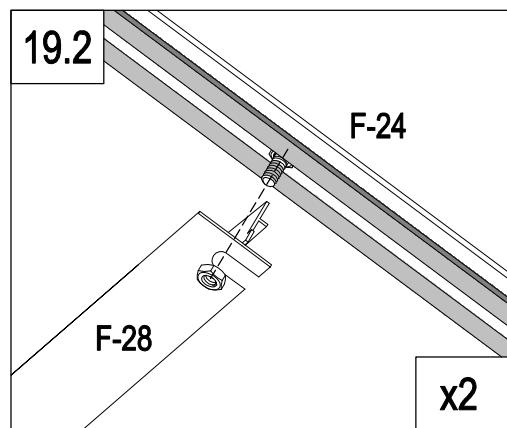
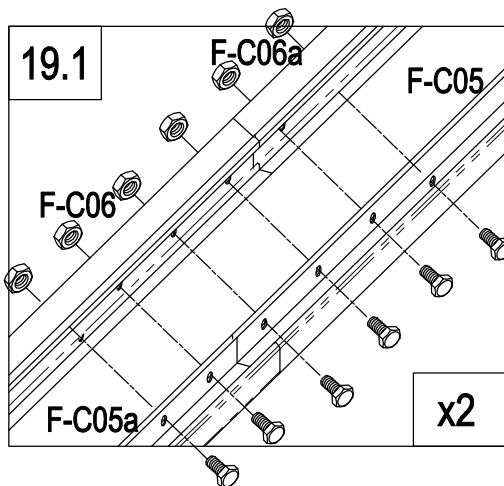
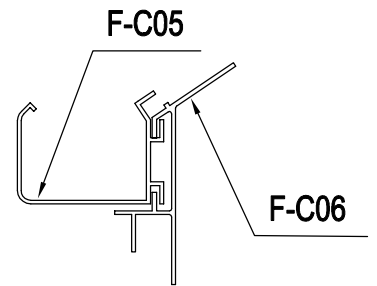
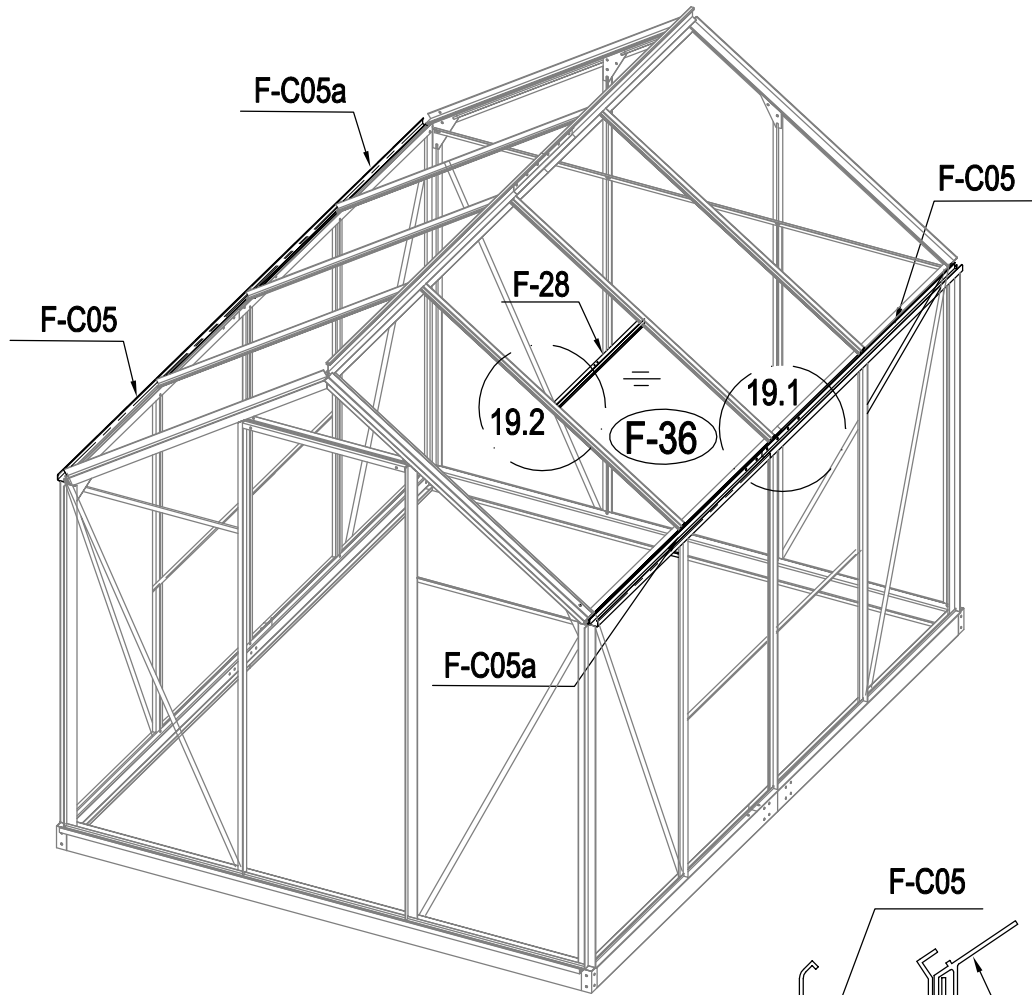


	F-24	6
	F-C14	14

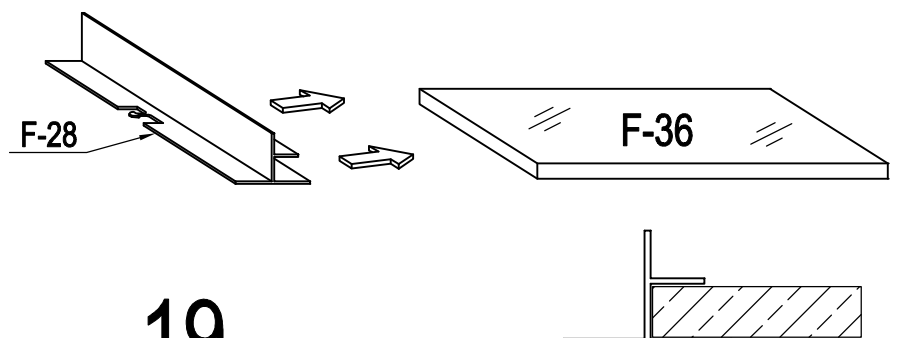


	F-36	1
	F-35	7

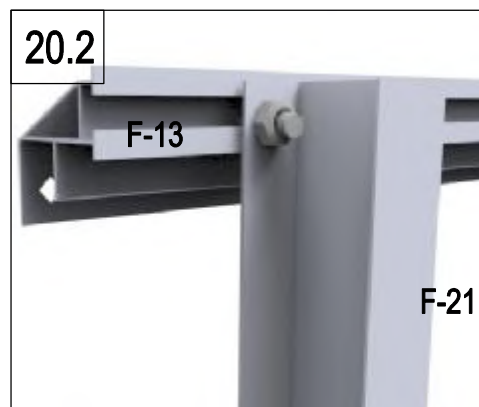
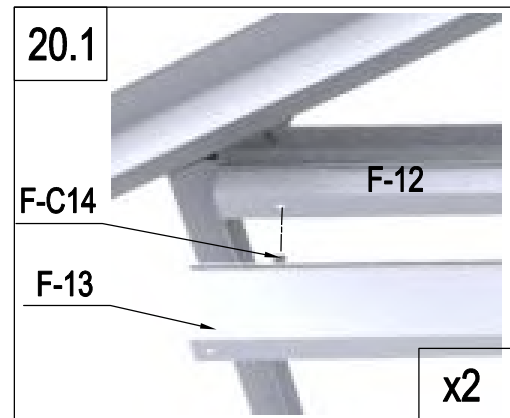
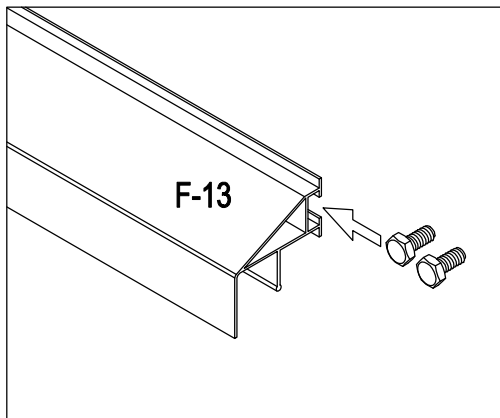
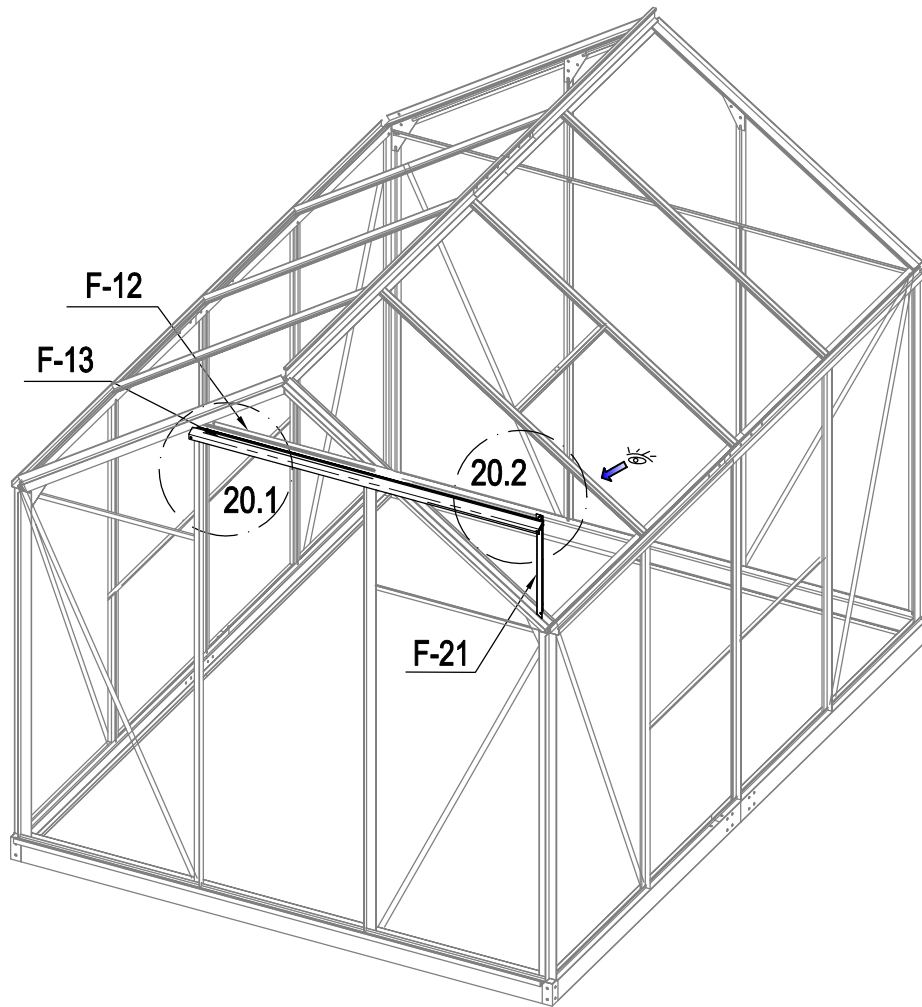




	F-28	1
	F-C05	2
	F-C05a	2
	F-C14	12

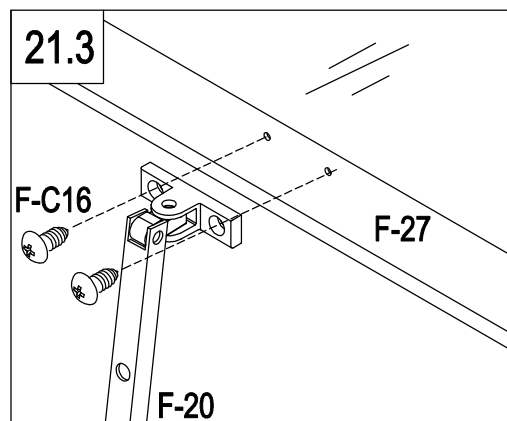
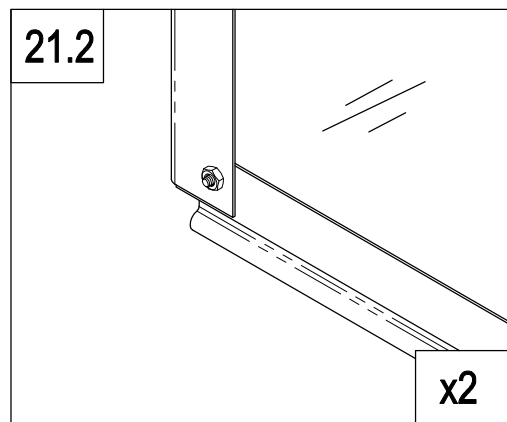
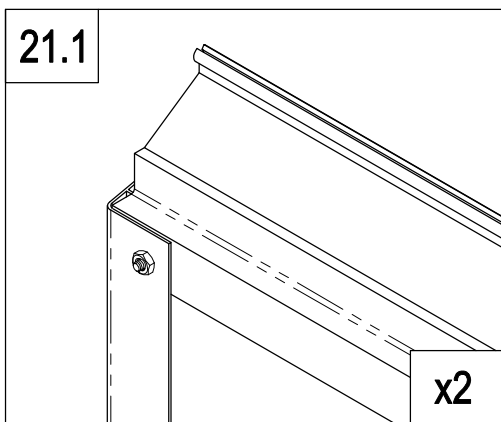
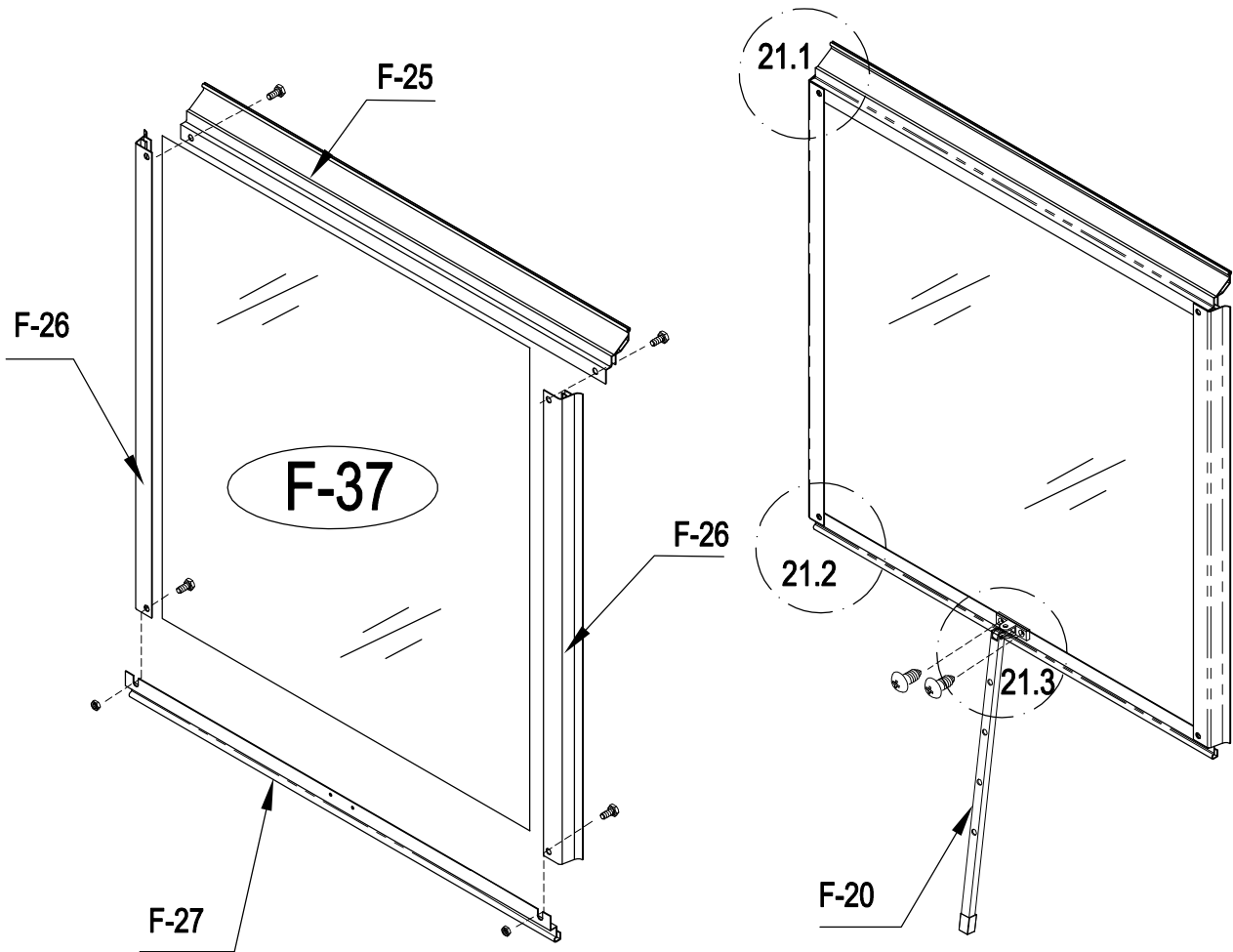





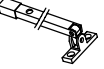


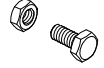


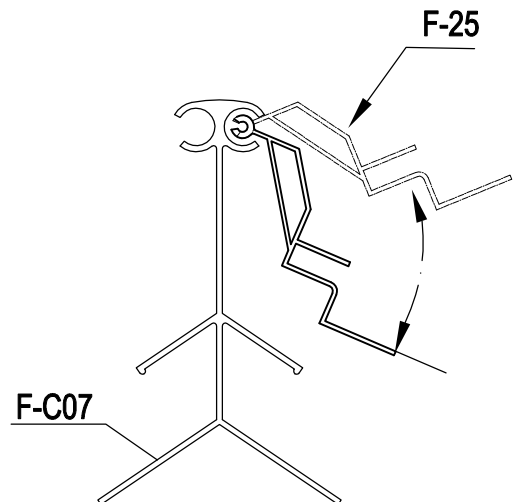
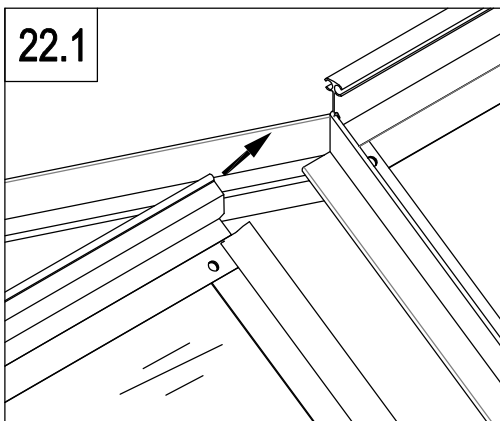
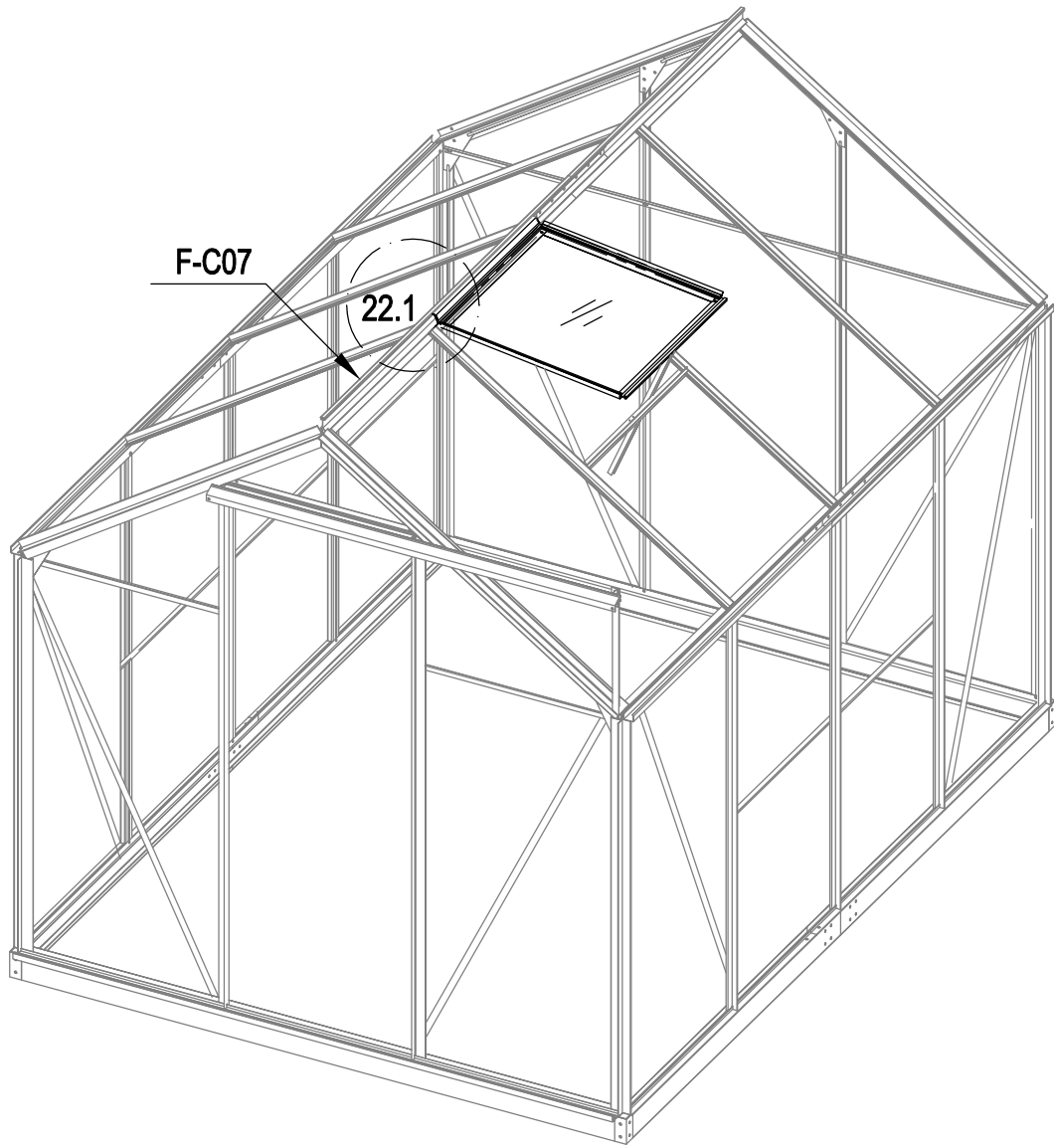


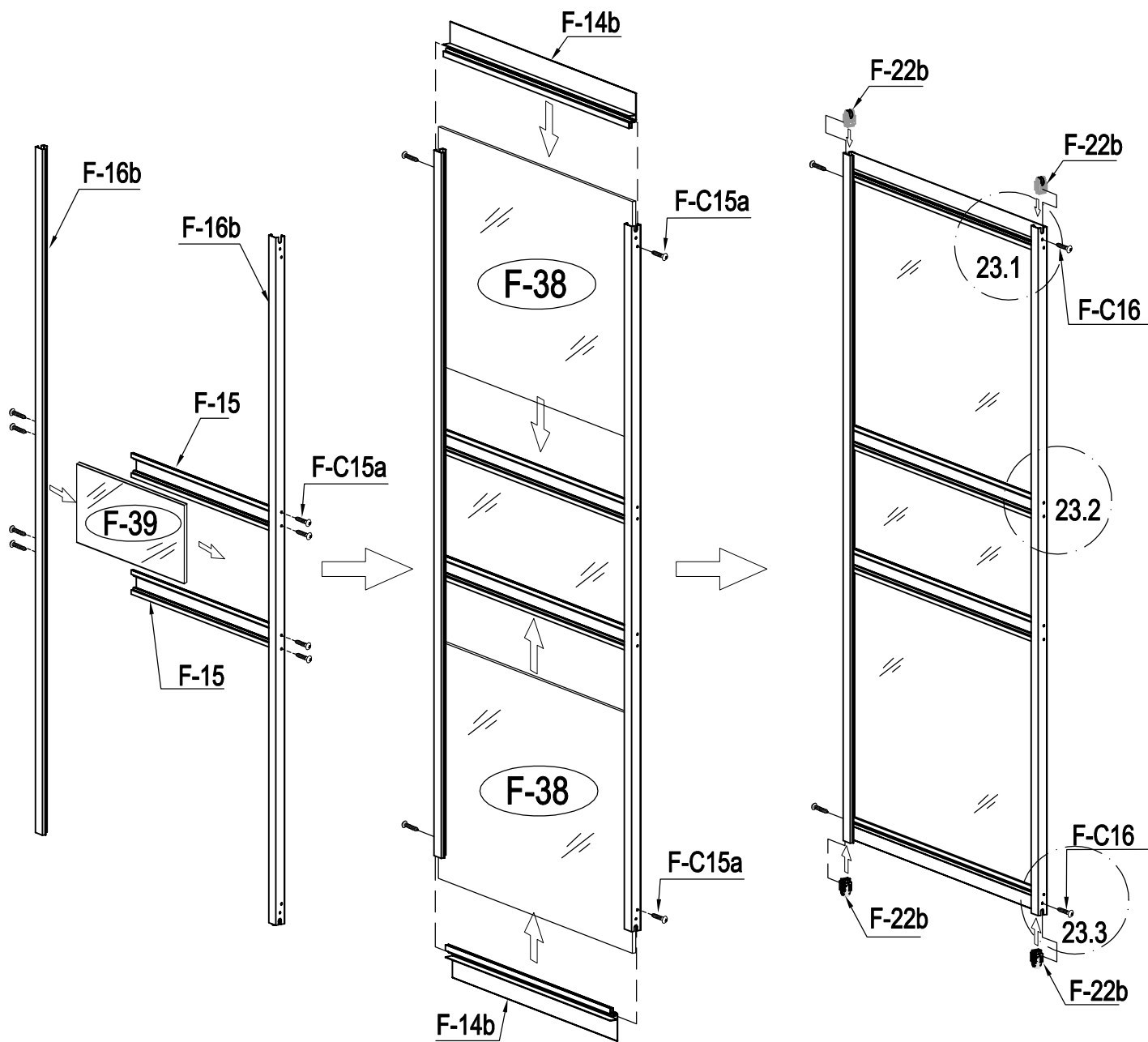
	F-13	1
	F-21	1
	F-C14	4

20

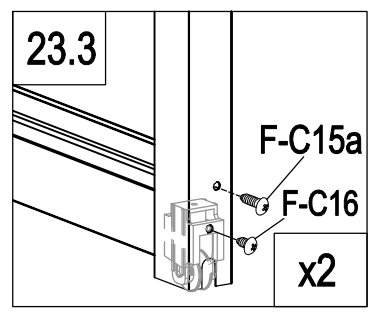
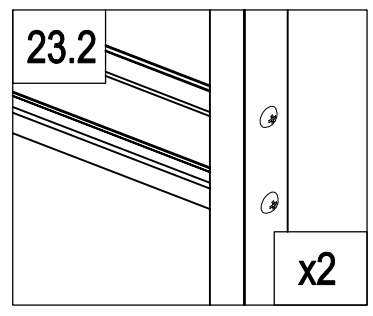
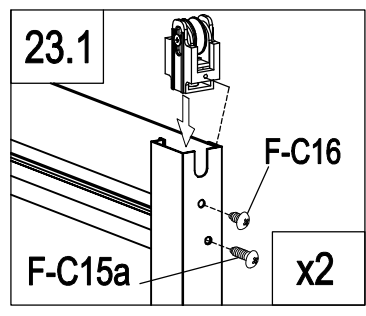


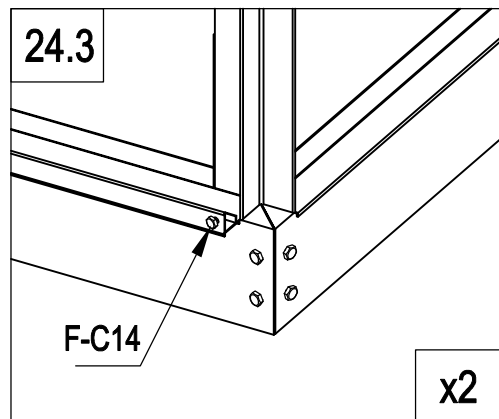
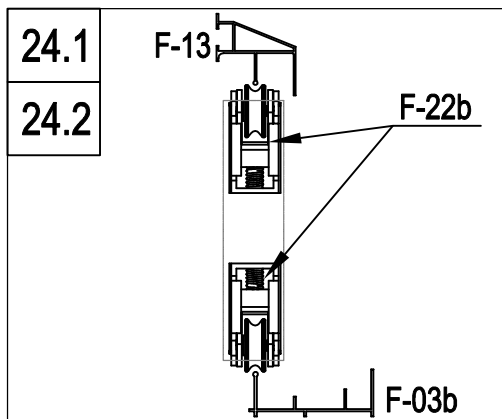
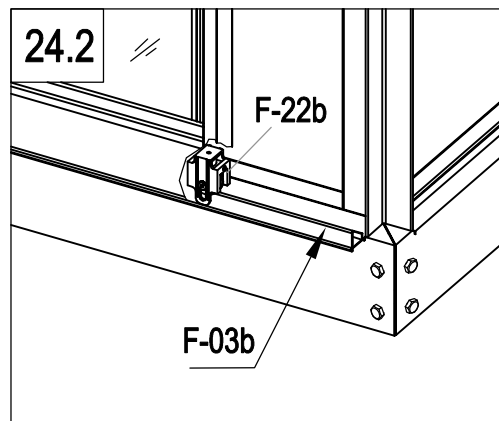
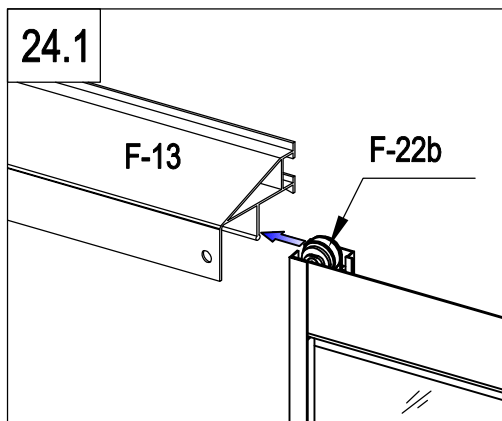
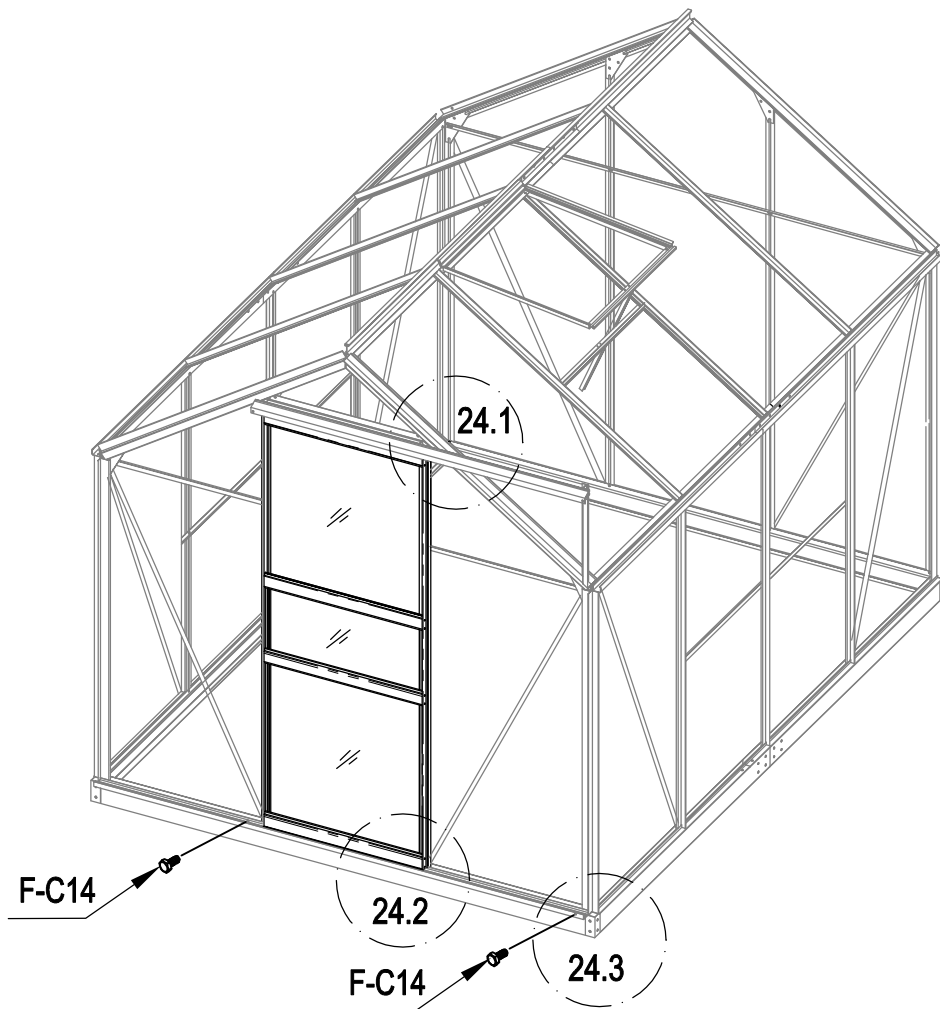
	F-25	1
	F-26	2
	F-27	1
	F-20	1
	F-37	1
	F-C16	2
	F-C14	4

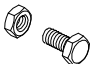


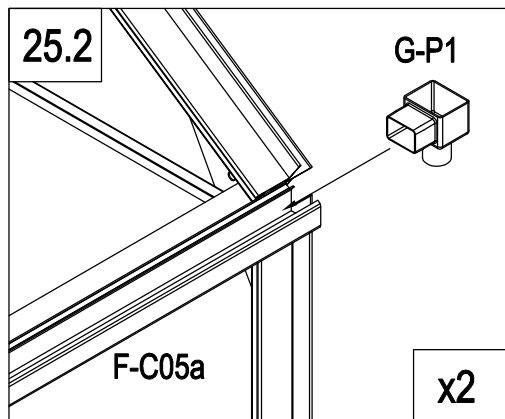
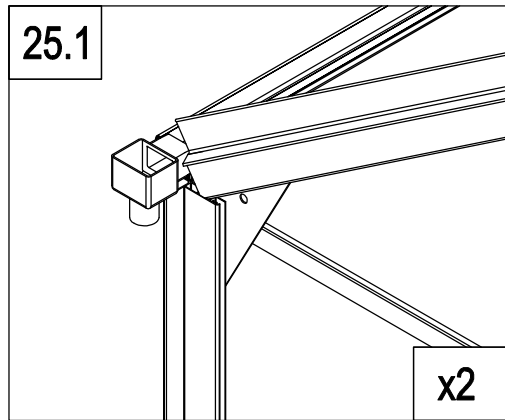
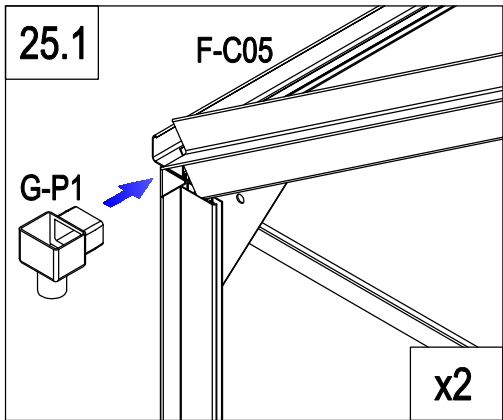
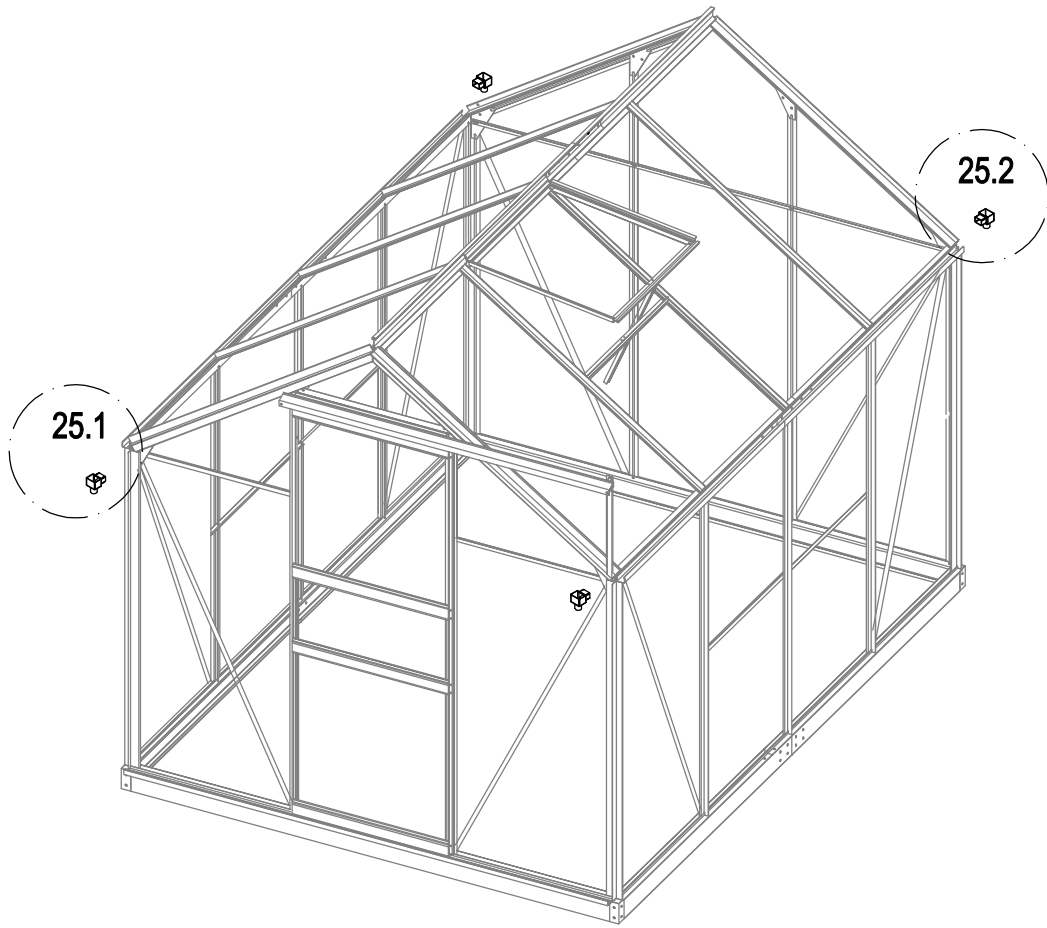


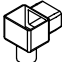
	F-38	2
	F-39	1
	F-16b	2
	F-14b	2
	F-15	2
	F-22b	4
	F-C15a	12
	F-C16	4

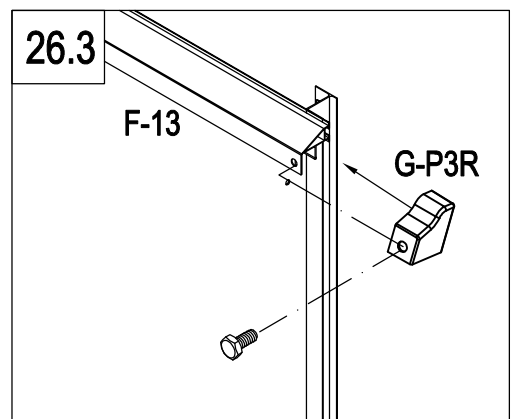
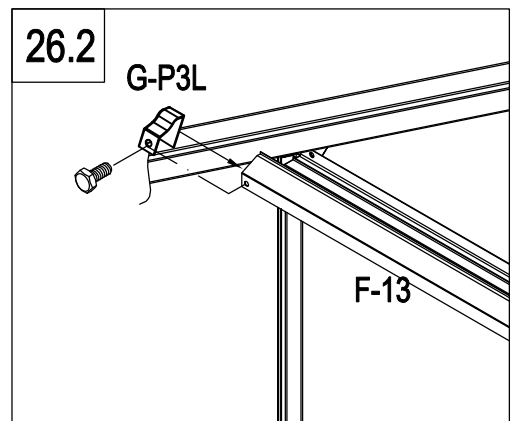
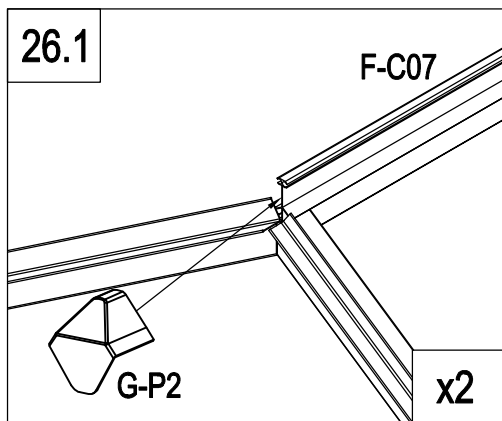
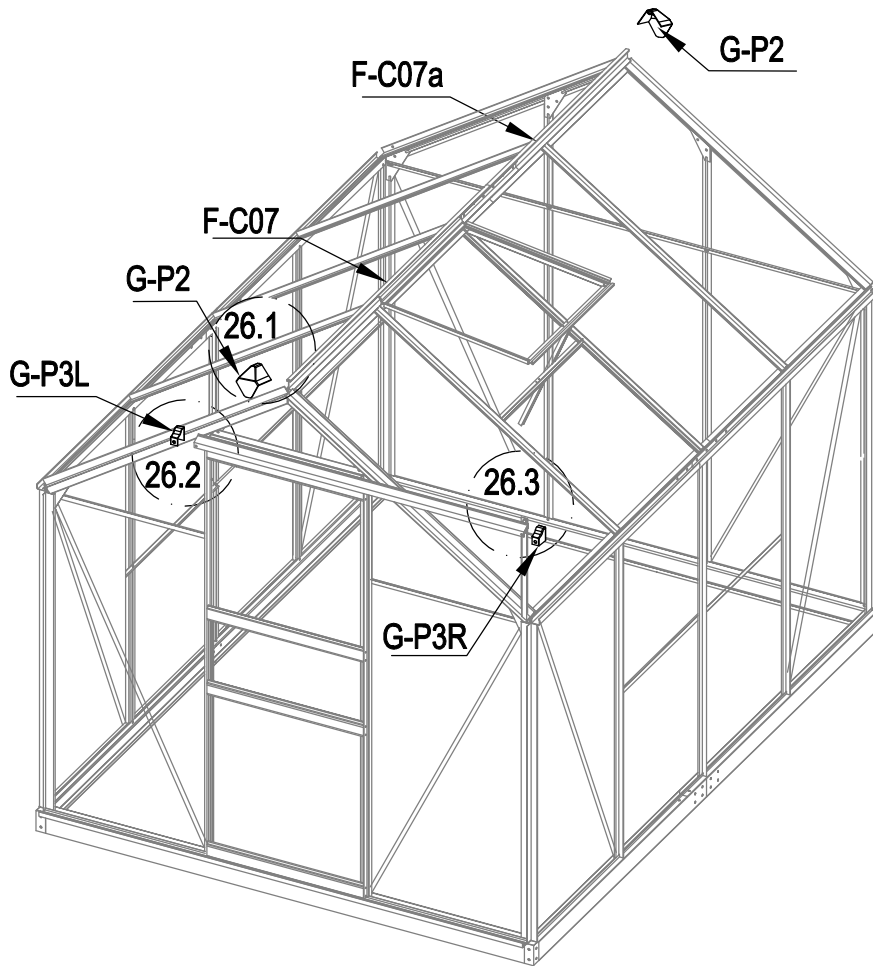




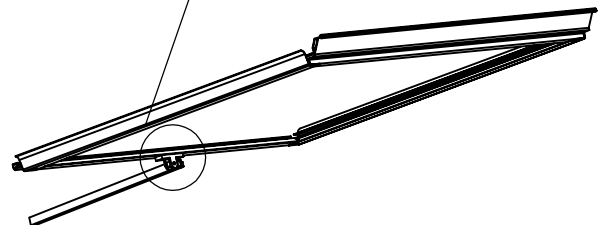
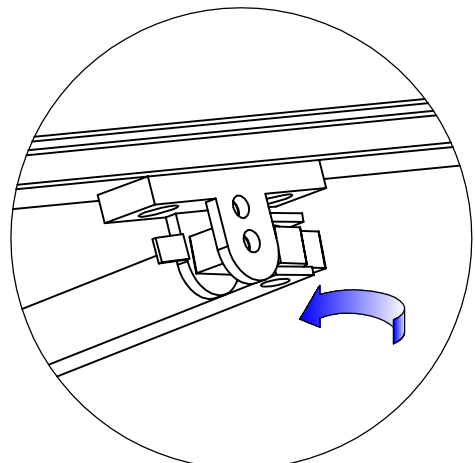
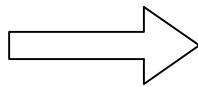
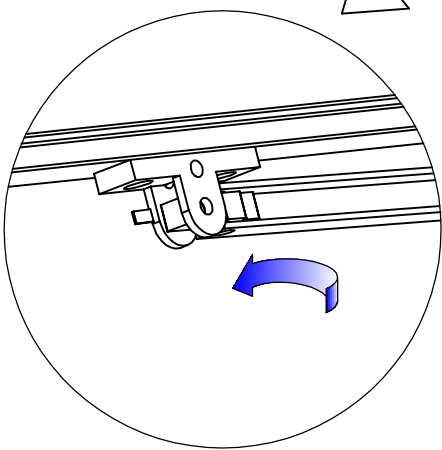
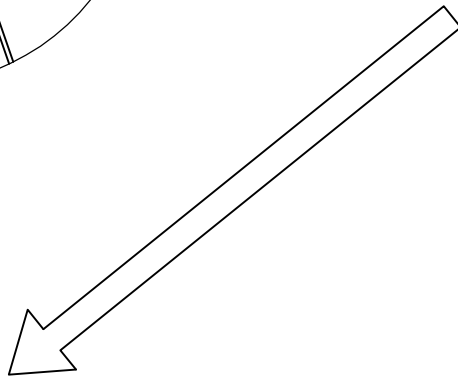
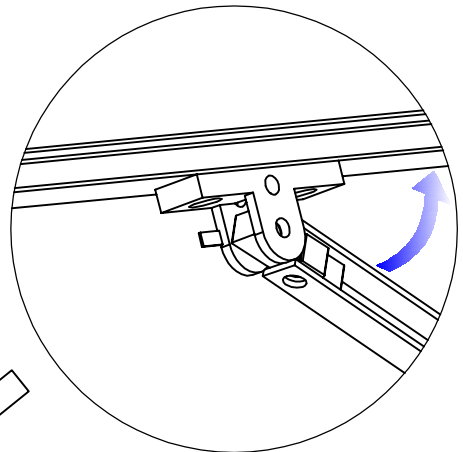
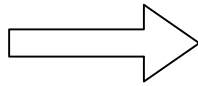
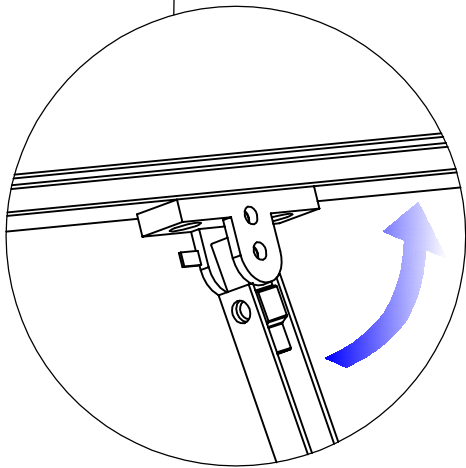
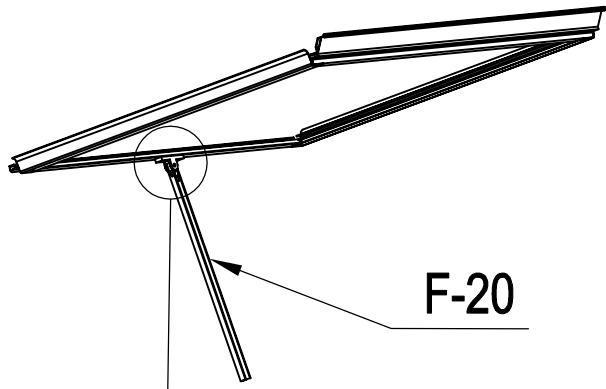
	F-C14	2
------------------------------------------------------------------------------------	-------	---



	G-P1	4
-------------------------------------------------------------------------------------	------	---



	G-P2	2
	G-P3L	1
	G-P3R	1
	F-C14	2





## Contact information

Head office:

Dancover A/S  
Lyngelvej 16A, Nørre Herlev  
3400 Hillerød  
Denmark

For more information  
please visit:

[www.dancovershop.com](http://www.dancovershop.com)

## National contact

Denmark:

[denmark@dancover.com](mailto:denmark@dancover.com)

UK:

[uk@dancover.com](mailto:uk@dancover.com)

Germany:

[germany@dancover.com](mailto:germany@dancover.com)

France:

[france@dancover.com](mailto:france@dancover.com)

Sweden:

[sverige@dancover.com](mailto:sverige@dancover.com)

Finland:

[suomi@dancover.com](mailto:suomi@dancover.com)

Poland:

[polska@dancover.com](mailto:polska@dancover.com)

Luxembourg:

[luxembourg@dancover.com](mailto:luxembourg@dancover.com)

Portugal:

[portugal@dancover.com](mailto:portugal@dancover.com)

Spain:

[espana@dancover.com](mailto:espana@dancover.com)

Italy:

[italia@dancover.com](mailto:italia@dancover.com)

Switzerland:

[schweiz@dancover.com](mailto:schweiz@dancover.com)

Austria:

[austria@dancover.com](mailto:austria@dancover.com)

Norway:

[norge@dancover.com](mailto:norge@dancover.com)

Nederland:

[nederland@dancover.com](mailto:nederland@dancover.com)

Ireland:

[ireland@dancover.com](mailto:ireland@dancover.com)

Belgium:

[belgique@dancover.com](mailto:belgique@dancover.com)