

DANCOVER[®]



Manual
for
Patio Cover Expert
3x4m

Manual for the end user and the installer

Dear customer,

Thank you for purchasing one of our patio covers. This manual provides all the necessary information to quickly become familiar with the product. We kindly ask you to read this information carefully before working with the product. This manual is intended for the end user and the installer. The assembly of the product is described in two chapters:

1. Preparations for assembly (page 3)
2. Assembly (page 10)

This is the original manual. Keep this manual safe!

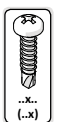
Product description

The patio cover may only be used to cover a terrace. Any use, other than defined here, is seen as unintended use. The manufacturer cannot be held responsible for any (consequential) damage caused by unintended, improper or unwise use.

Symbols used



This symbol means that the product is not included and you have to purchase it yourself.



This symbol means that you must use the supplied screw. The type and number of screws are shown underneath.

Environmental conditions

This product is intended for outdoor use and may get wet.

Tools required

- Stanley knife or scissors
- Drill (5 mm)
- Holesaw (32mm and 82mm)
- Hacksaw
- Cartridge gun with sealant for outside
- Pencil
- Hammer
- Dowels
- Acrow props (2x)
- Shovel
- Spirit level

Precautions and Safety Instructions

Warning!

- - If your patio cover has lighting, the electrical installation may only be carried out by a qualified electrical installation technician.
- The end user is responsible for the correct installation and use of the product. Improper assembly or improper use may cause damage to, or a defect in, the product. The warranty is void if the product and/or the electronic components are damaged through improper assembly or use.
- Observe local laws and regulations when assembling and/or using the product.

Please note!

- Fixing materials are not included, these must be purchased separately.
- All screws should be carefully tightened with a torque of 1.0 Nm.
- Contact your supplier if a part is missing or damaged.

Maintenance, environment and disposal

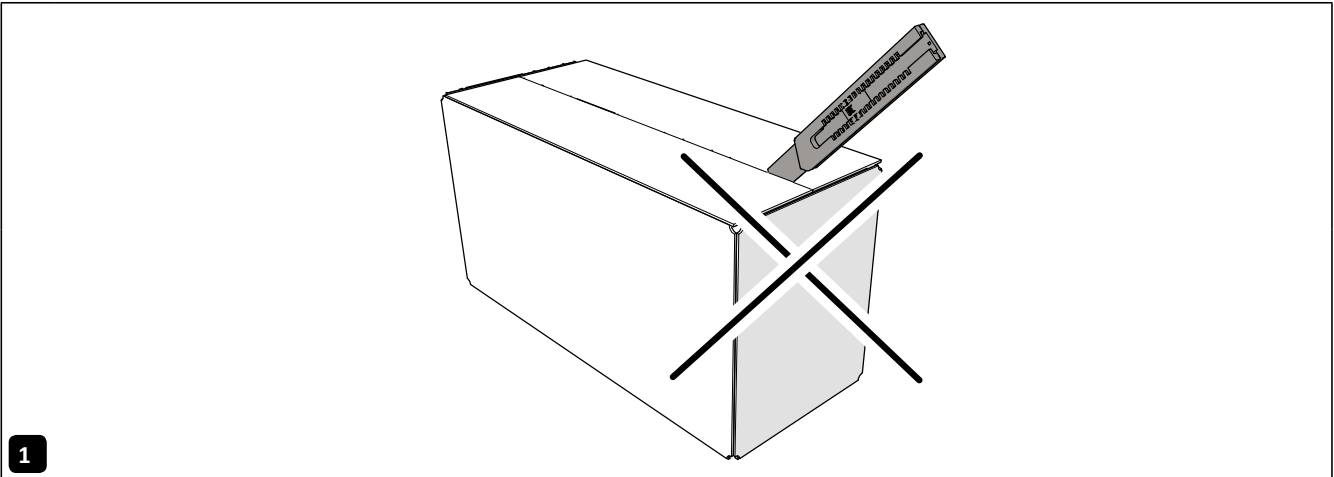
- Clean the product every 6 months to ensure a longer product life.



The symbol on the material, the accessories or packaging indicates that this product may not be treated as household waste. Dispose of the device through a collection point for recycling waste electrical and electronic equipment within the EU and in other European countries that have separate collection systems for used electrical and electronic equipment. Properly disposal of the device helps you to prevent possible environmental and public health hazards that would otherwise be caused by improper handling of the waste device. Recycling materials helps to conserve natural resources. Do not dispose of your old electrical and electronic equipment through household waste.

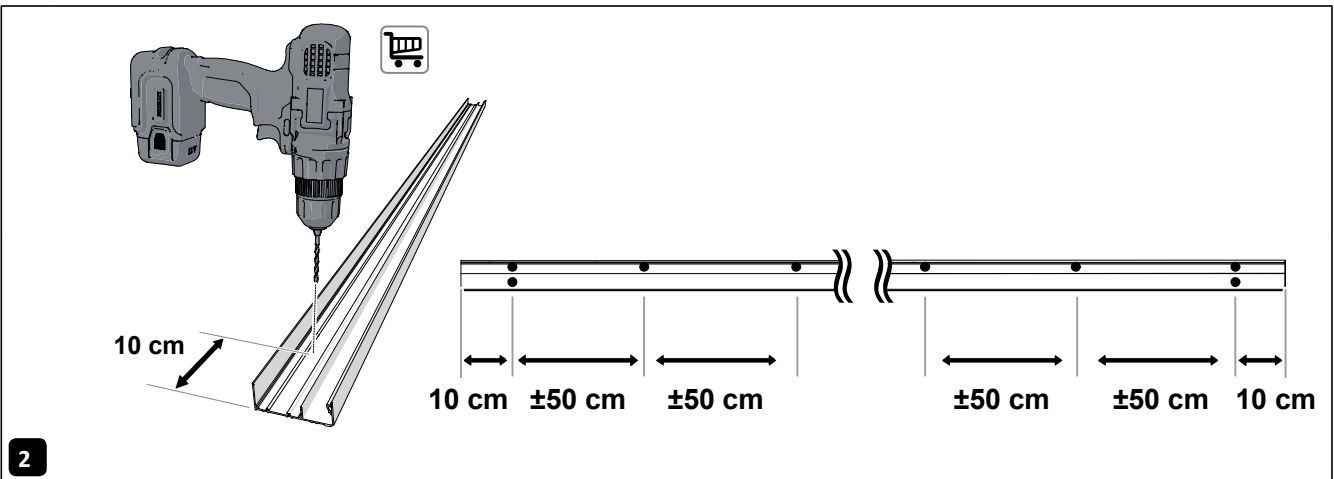
1

Assembly preparations



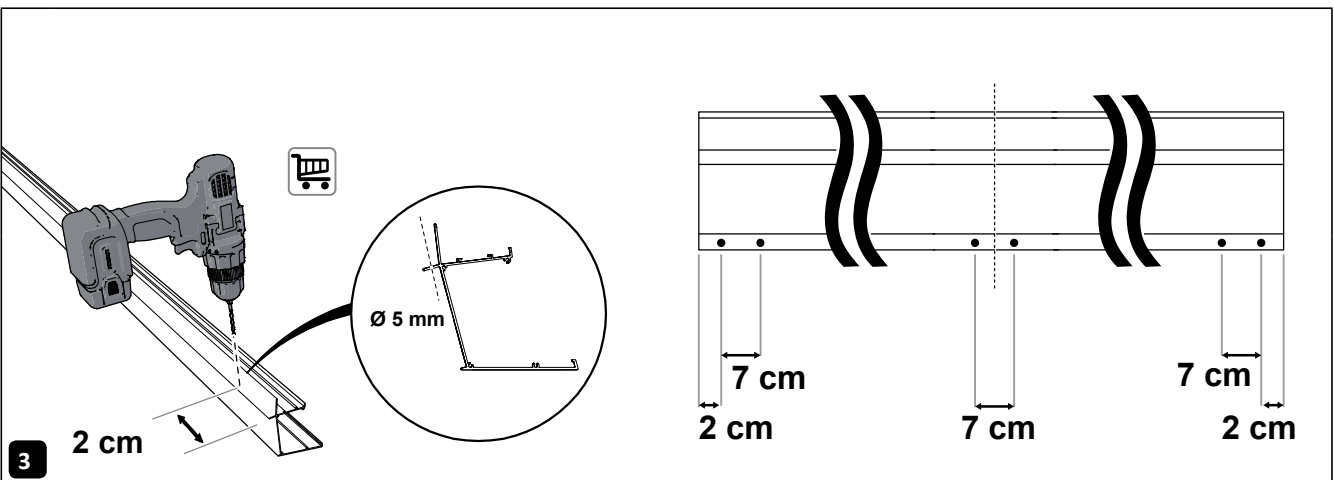
1

Carefully unpack the product. Do not use any sharp objects to open the boxes.



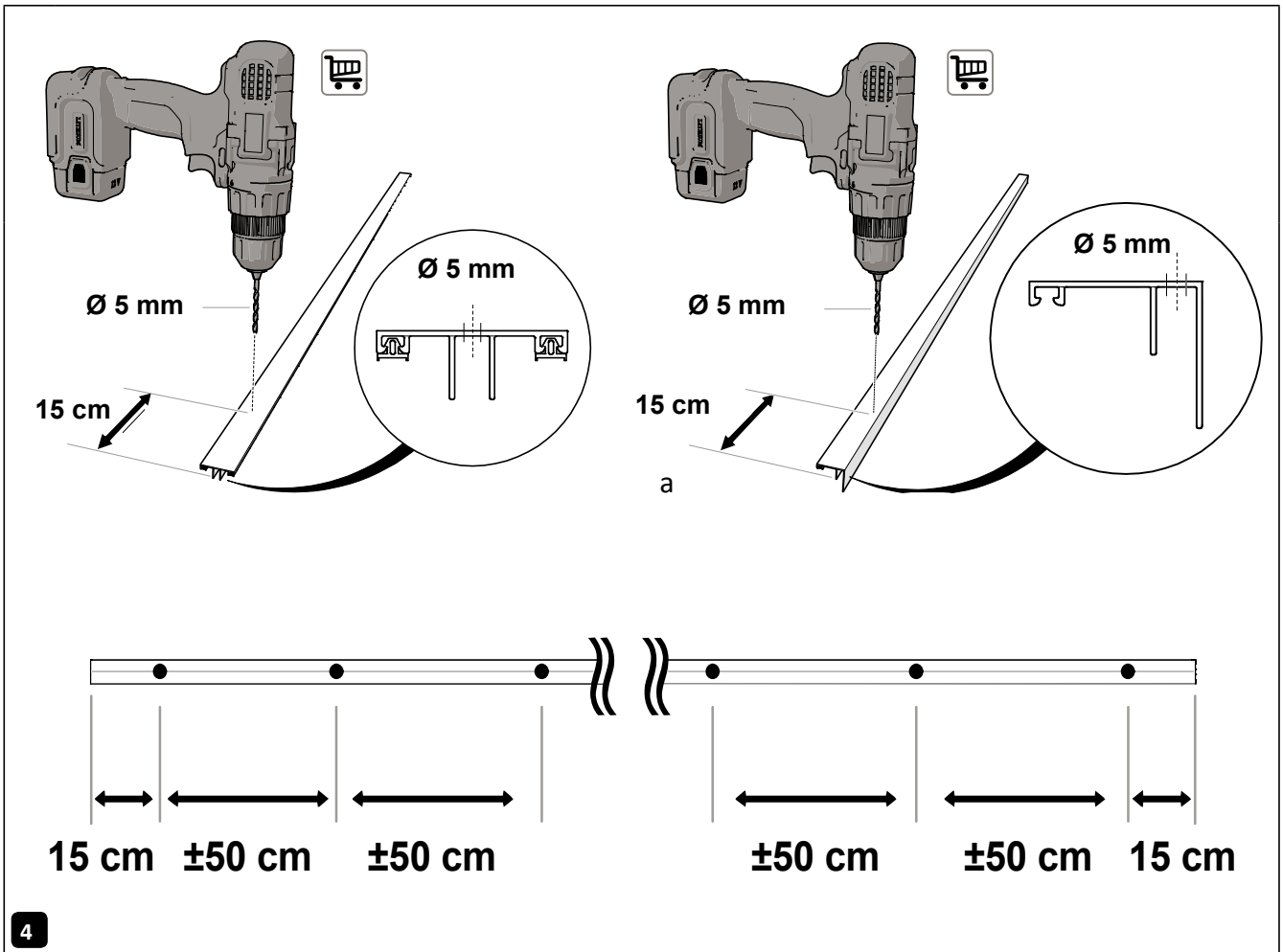
2

Pre-drill the wall profile according to the mounting fixings (not supplied).

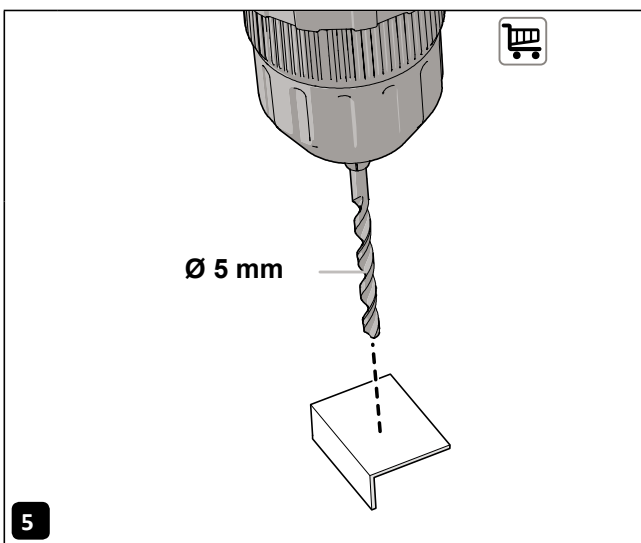


3

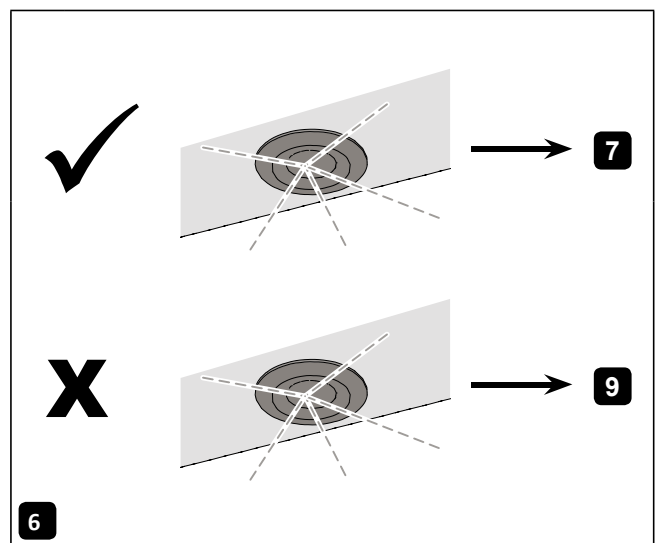
Determine the desired number of posts and drill two $\varnothing 5$ mm holes for each post in the gutter profile as shown in the drawing.



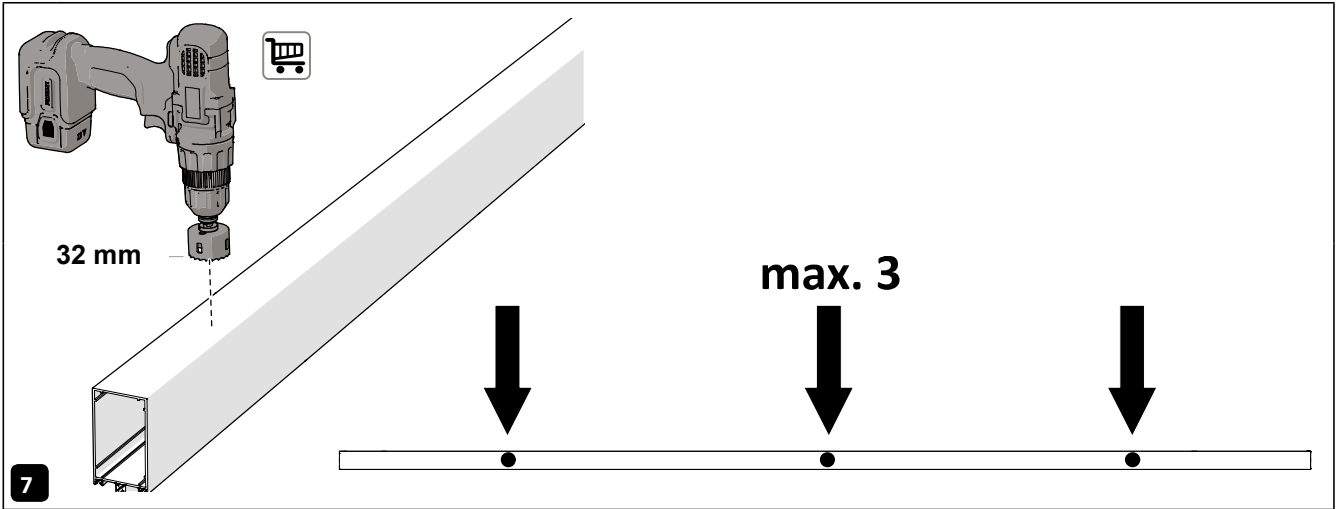
Pre-drill the cover profiles with a Ø 5 mm drill bit.



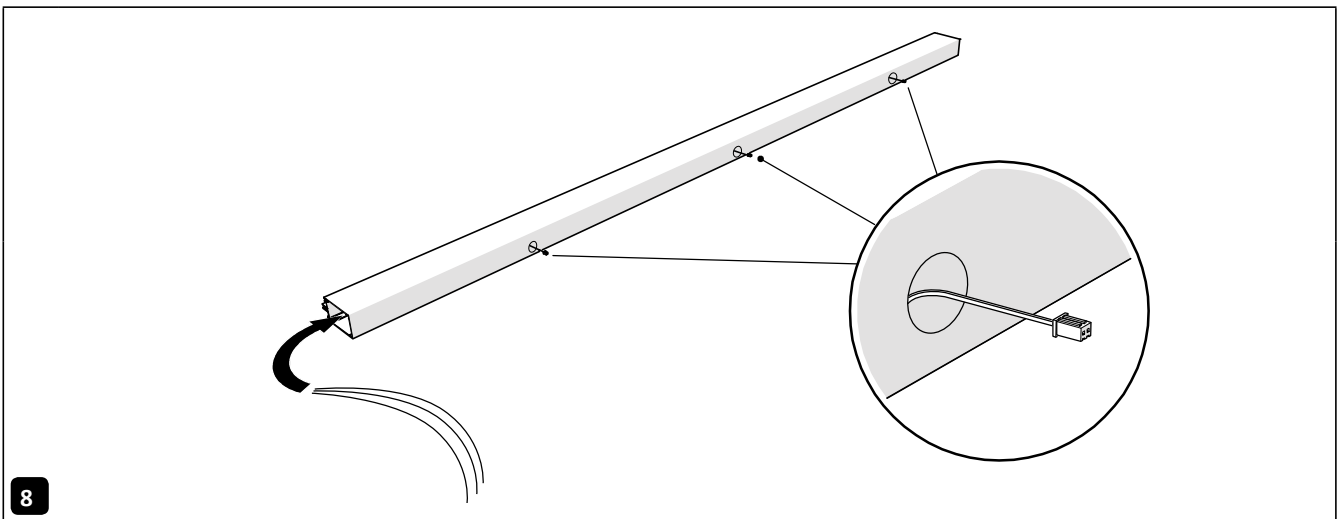
Drill a Ø 5 mm hole at the centre of each angle plate.



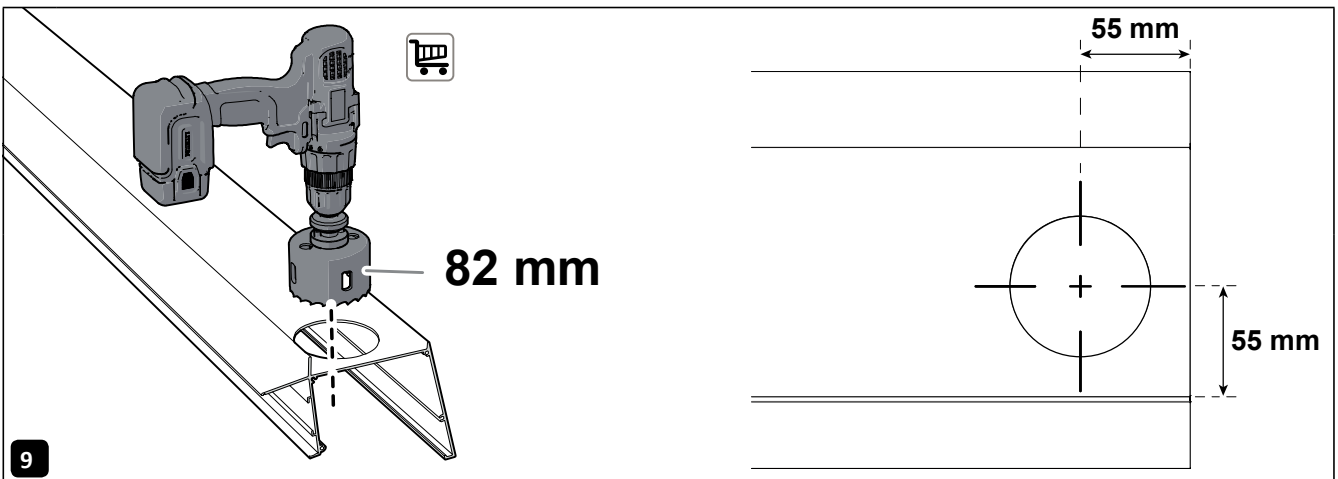
Go to step 7 if you want to install spotlights. Go to step 9 if you are not installing spotlights.



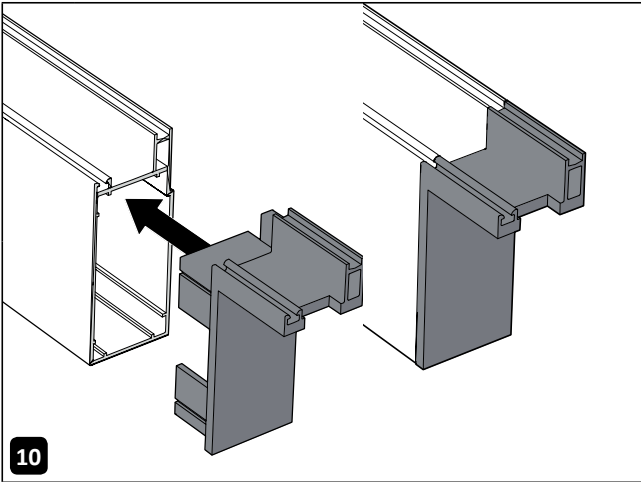
Determine the position of the spotlights in the beams and drill a maximum of three \varnothing 32 m holes.



Lay the cables for the spotlights in the beams from the wall side.
Please note! Let the cables protrude 10 to 15 cm. Don't shorten the cables!

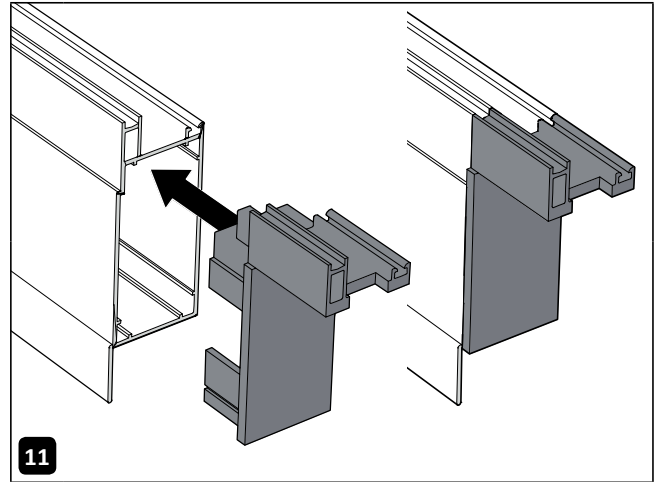


Drill one \varnothing 82 mm hole at the end of the gutter for the leaf trap.



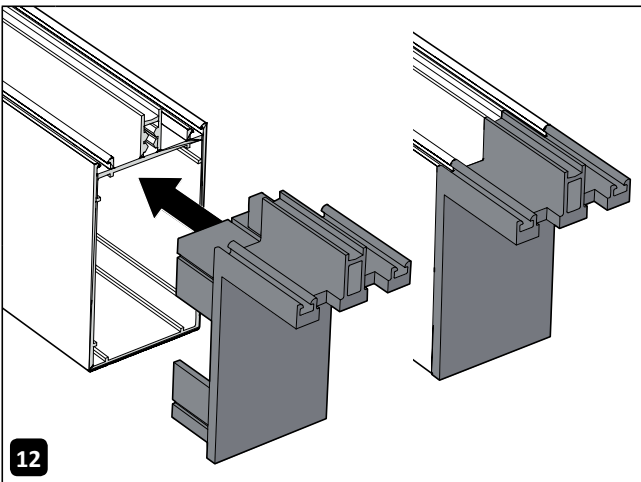
10

Place the plastic end piece for the right side on one of the side beams.



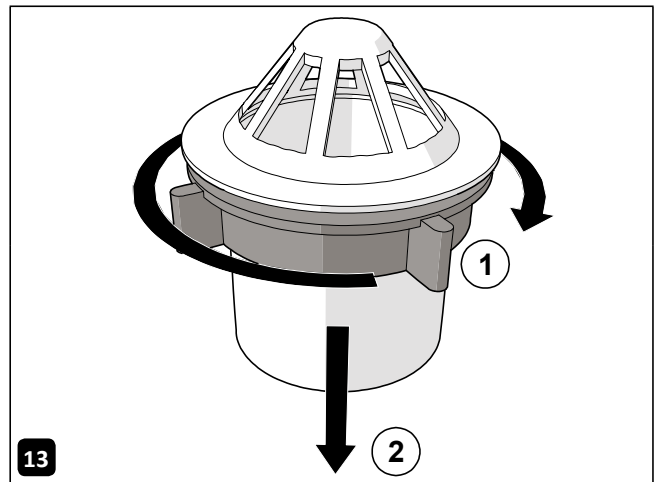
11

Place the plastic end piece for the left side on the other side beam.



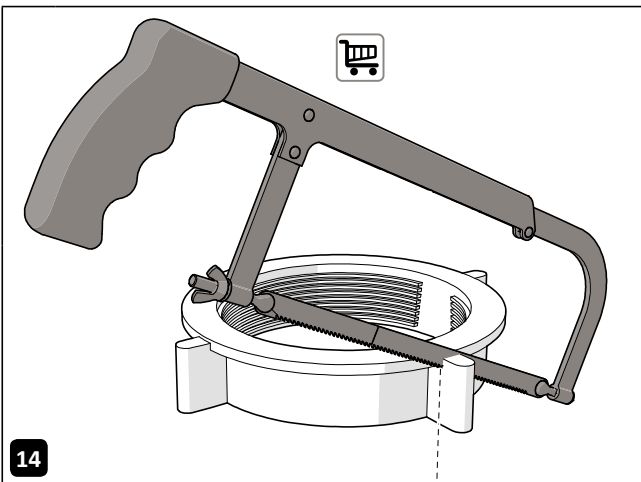
12

Place the plastic end pieces for the intermediate beams on all intermediate beams.



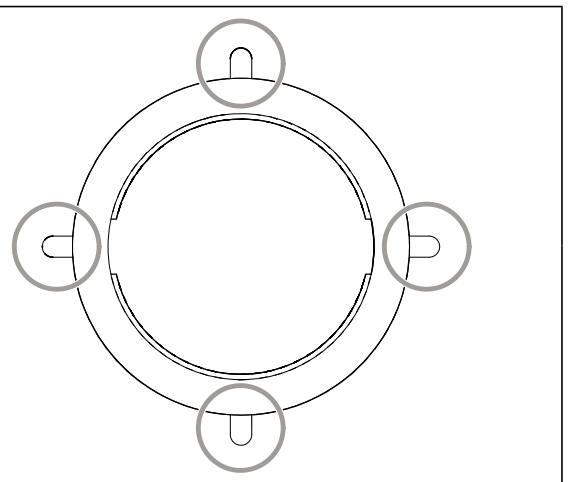
13

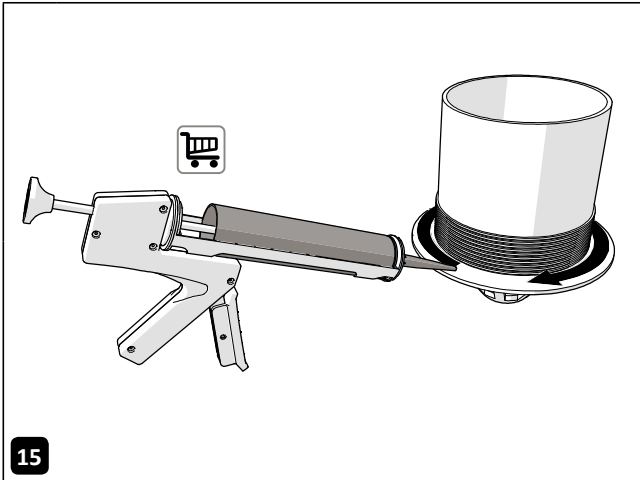
Unscrew the leaf trap nut.



14

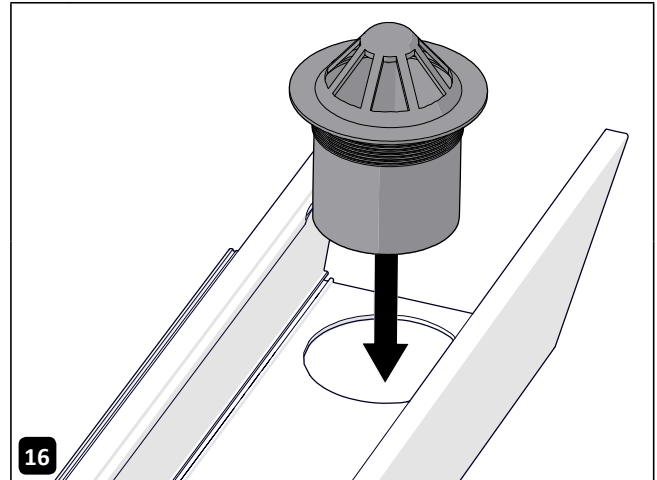
Saw off the protruding parts of the nut.





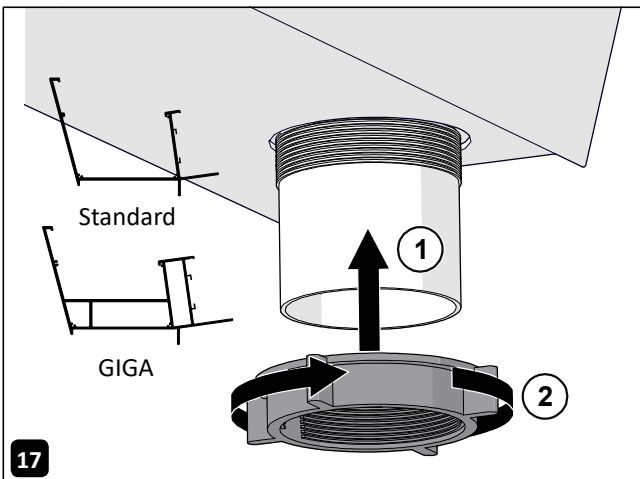
15

Apply sealant to the leaf trap.



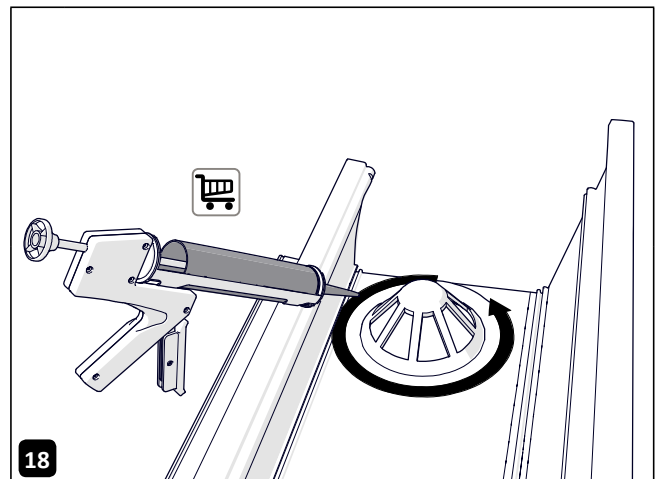
16

Insert the leaf trap into the gutter.



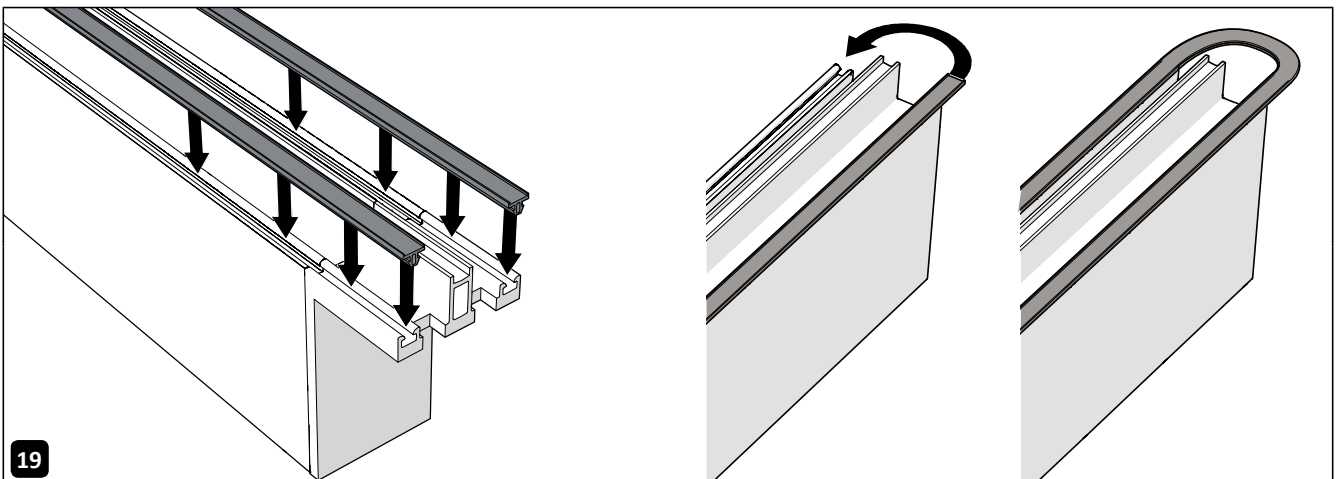
17

Tighten the nut onto the leaf trap by turning it anticlockwise.
Please note! Glue the leaf trap if you have a GIGA gutter.



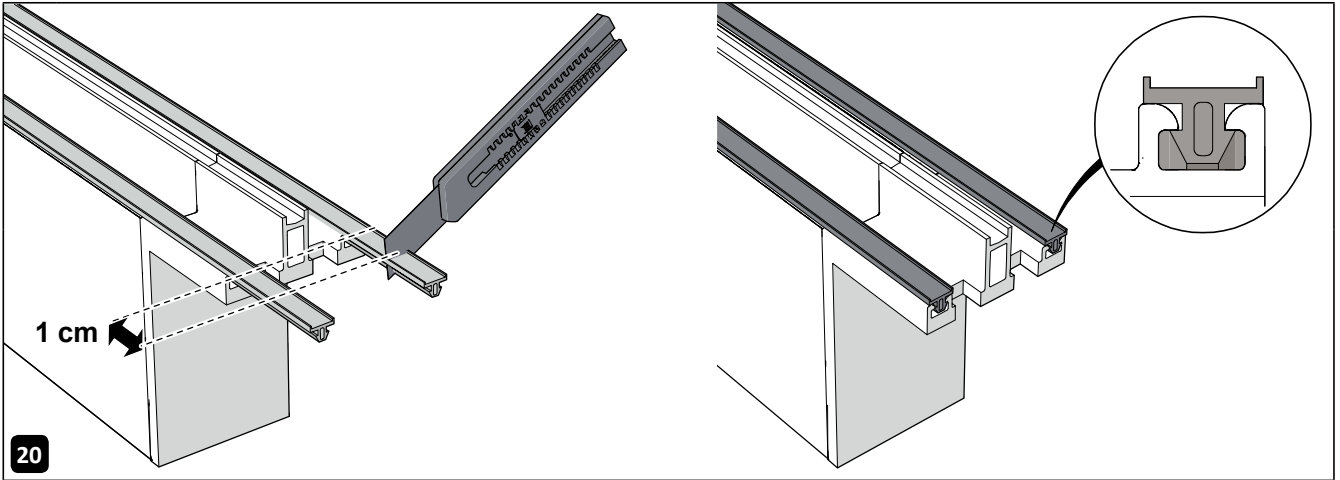
18

Apply sealant to the leaf trap.

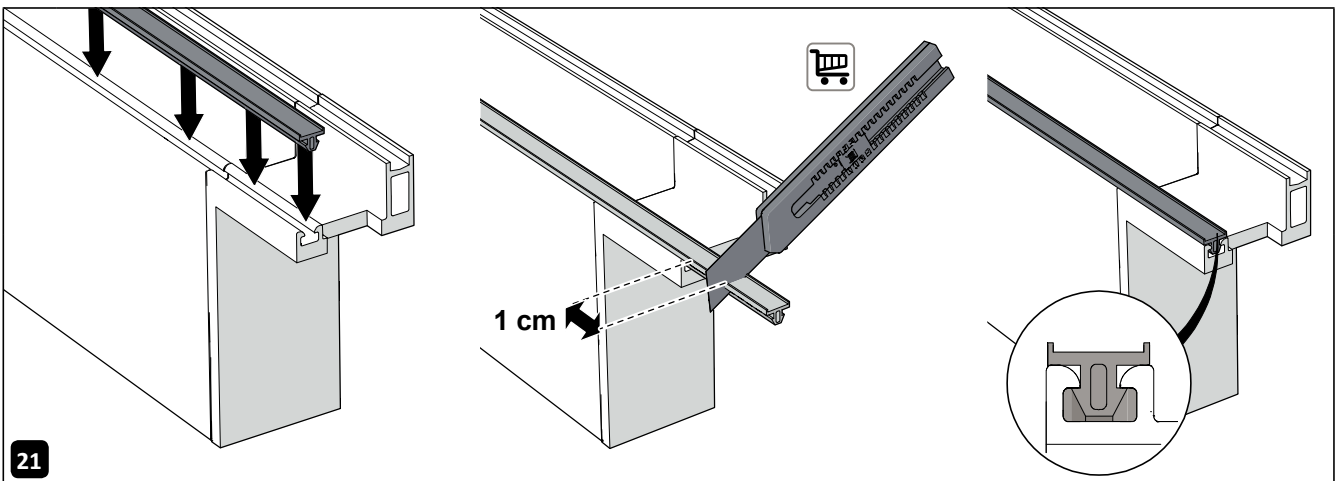


19

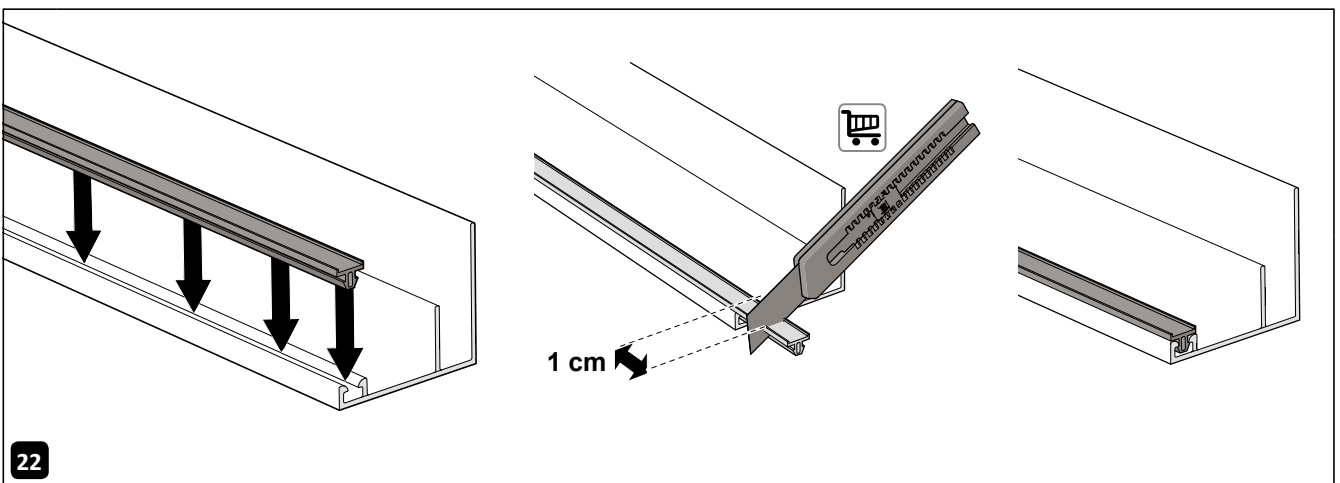
Cut the rubber seals to twice the length of the beam + 10 cm. Push the rubber seals on the wall side with a loop into the beam.



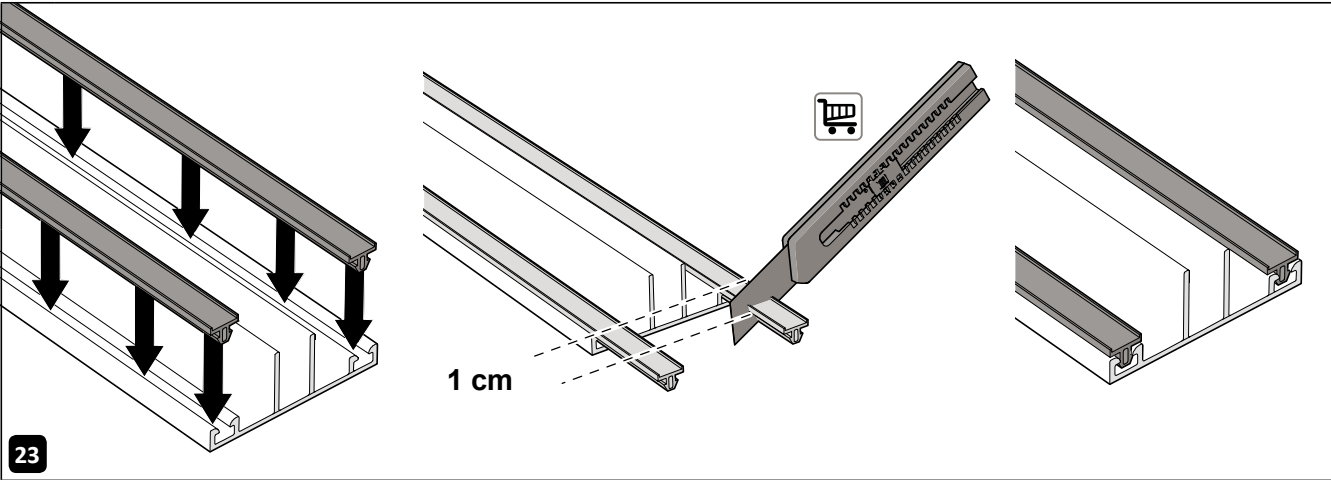
20 Push the rubber seals into all intermediate beams. Cut the rubber seals ± 1 cm longer than the intermediate beams.



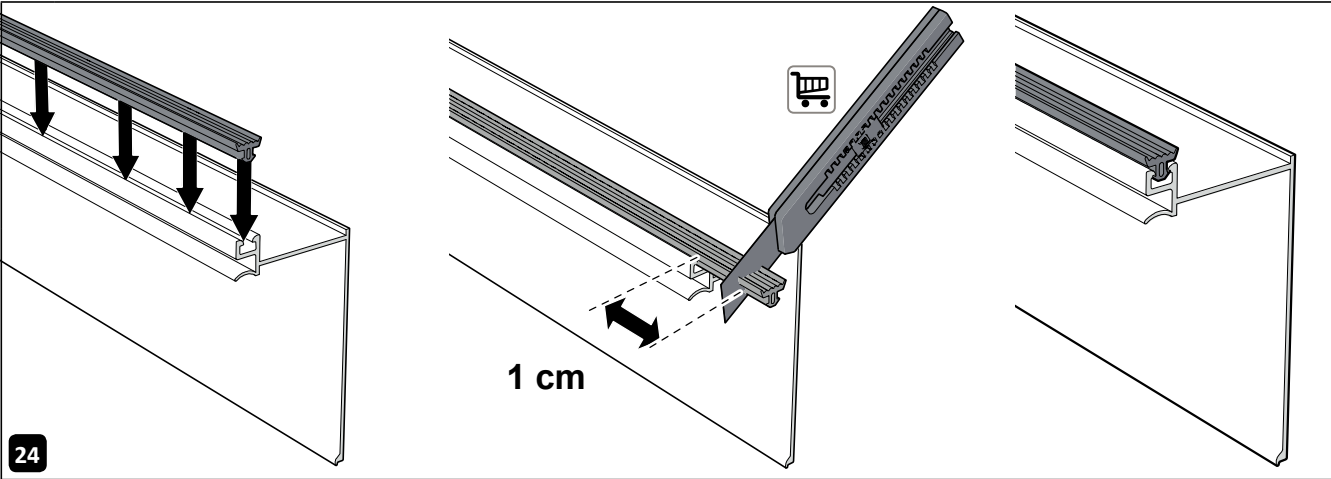
21 Push the rubber seals into all the side beams. Cut the rubber seals ± 1 cm longer than the side beams.



22 Push the rubber seals into all the side covers. Cut the rubber seals ± 1 cm longer than the side covers.



Push the rubber seals into all the covers. Cut the rubber seals ± 1 cm longer than the covers.

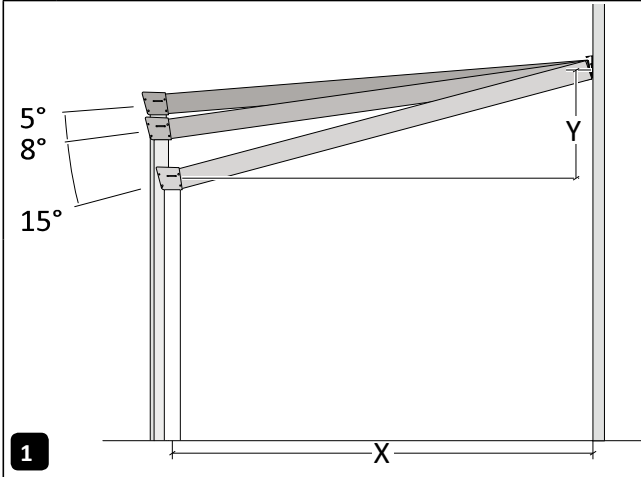


Push the rubber seals into all the click frames. Cut the rubber seals ± 1 cm longer than the click frames.

2

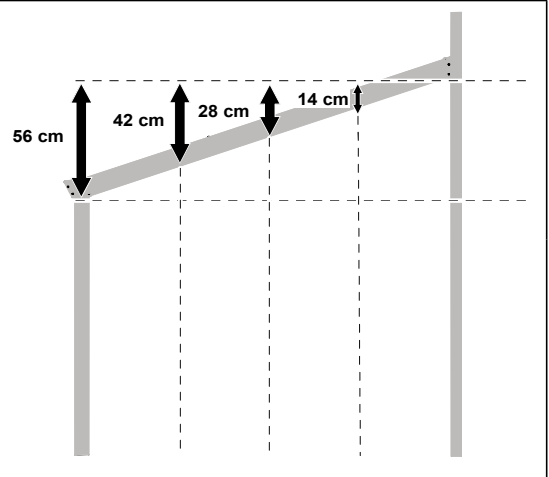
Assembly

For construction possibilities of the Legend (STANDARD gutter) with standard length beams see Appendix 1.
 For construction possibilities of the Expert (GIGA gutter) with standard length beams see Appendix 2.

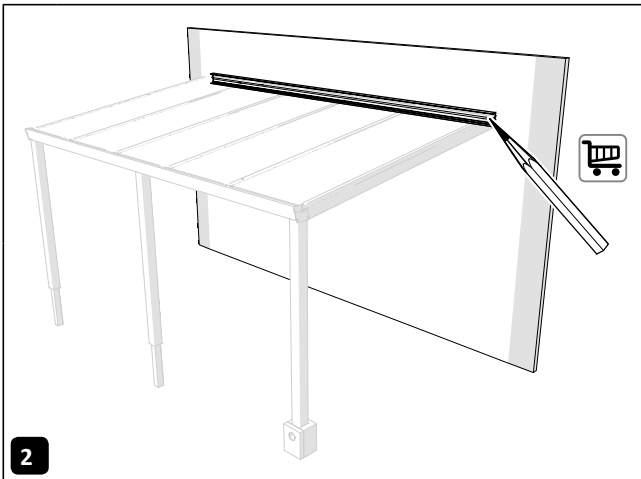


1

Determine the desired roof pitch between 5° and 15°.

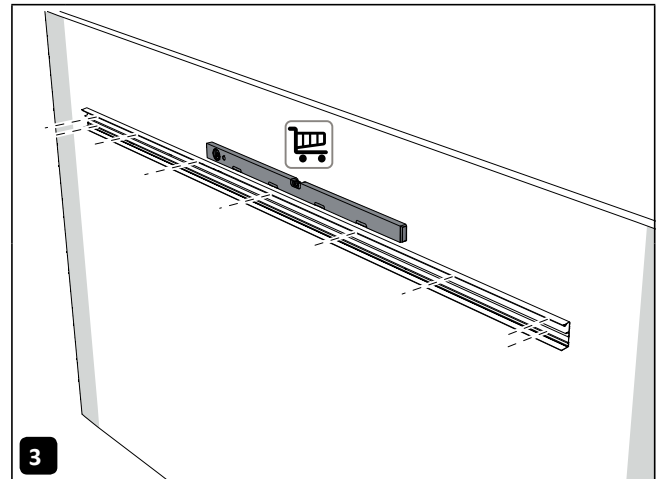


The standard roof pitch is 8 degrees (141 mm fall per meter)



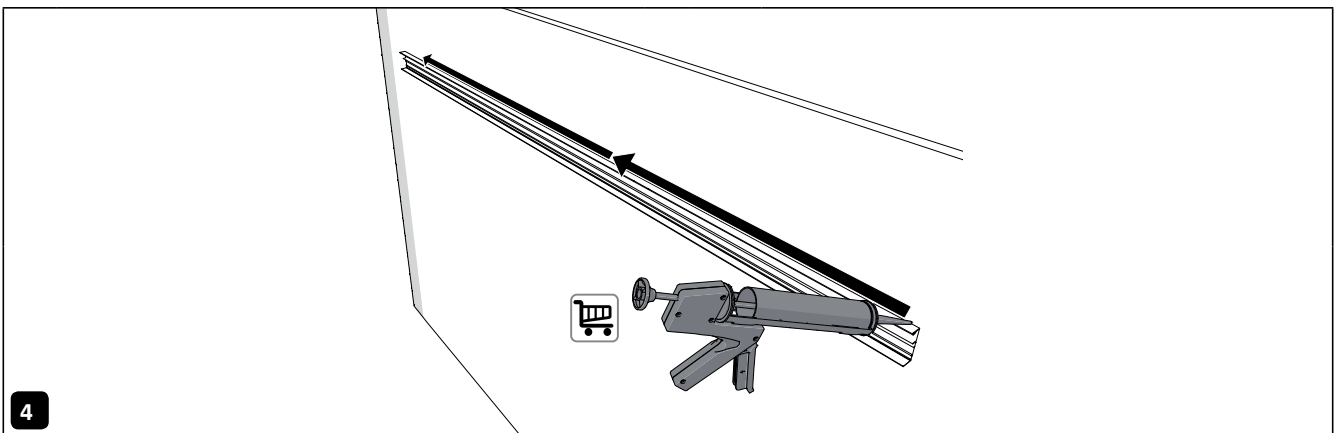
2

Determine and mark the mounting location of the wall profile. Calculate the height using the calculation tables in Appendix 1 and 2 on pages 28 to 31 in this manual.



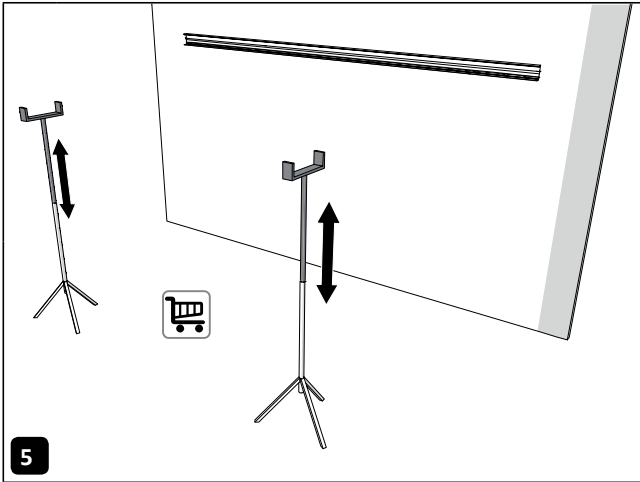
3

Mount the wall profile level on the wall. If necessary, place standard compriband (210 cm, not supplied) behind the wall profile to fill in any unevenness.

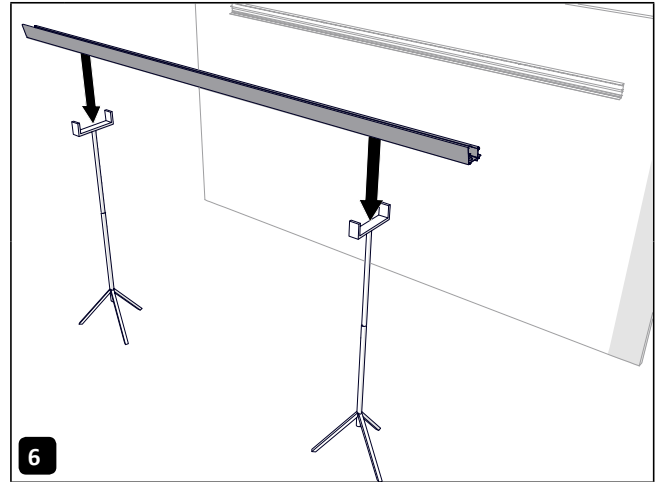


4

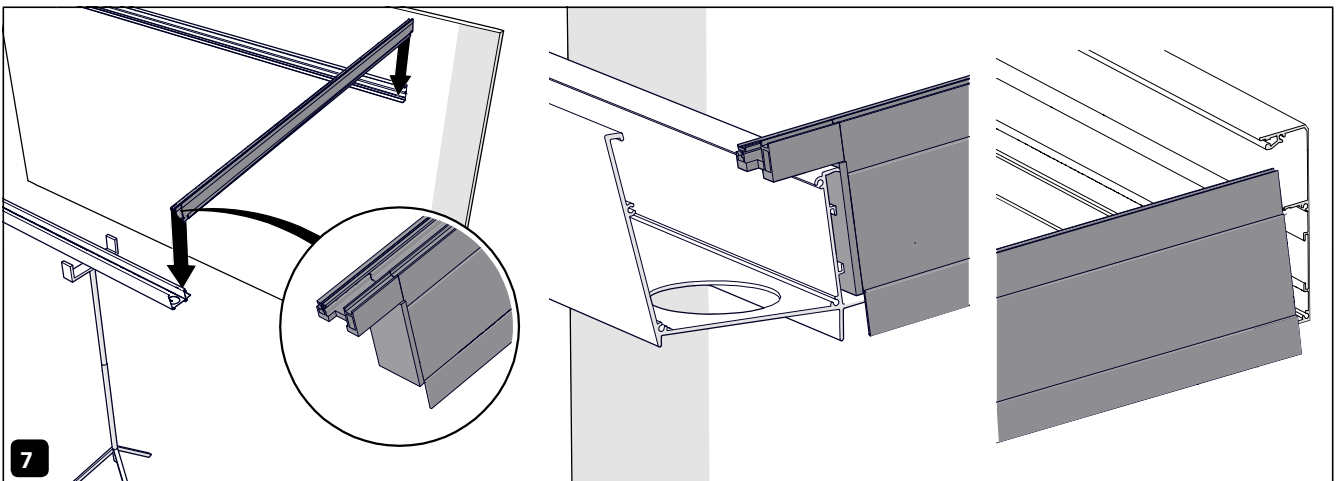
Seal the top of the wall profile with sealant.



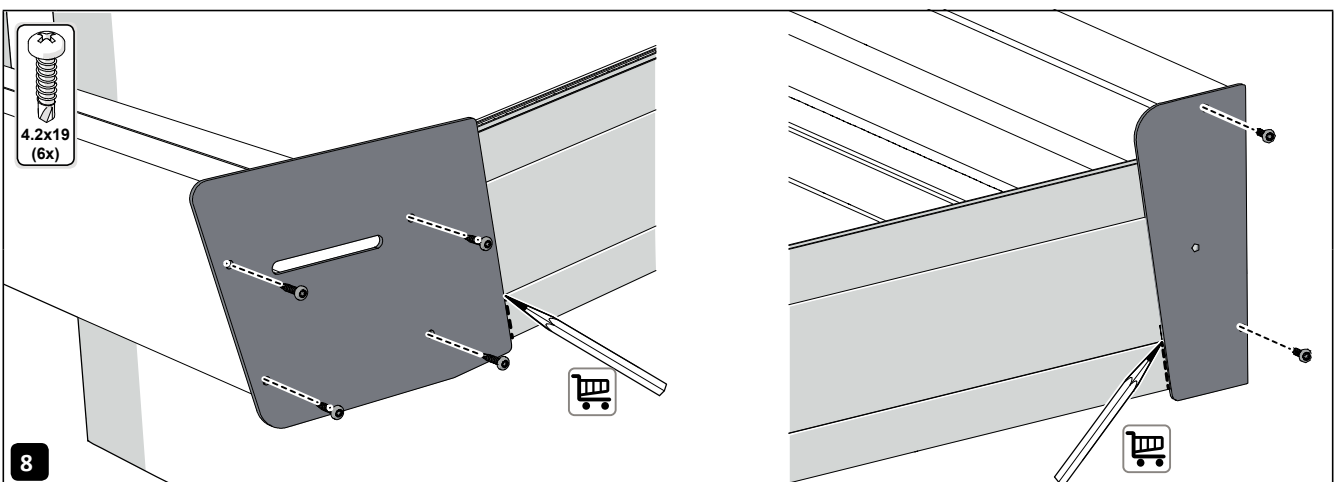
5 Place the Acrow props and adjust them to the correct height.



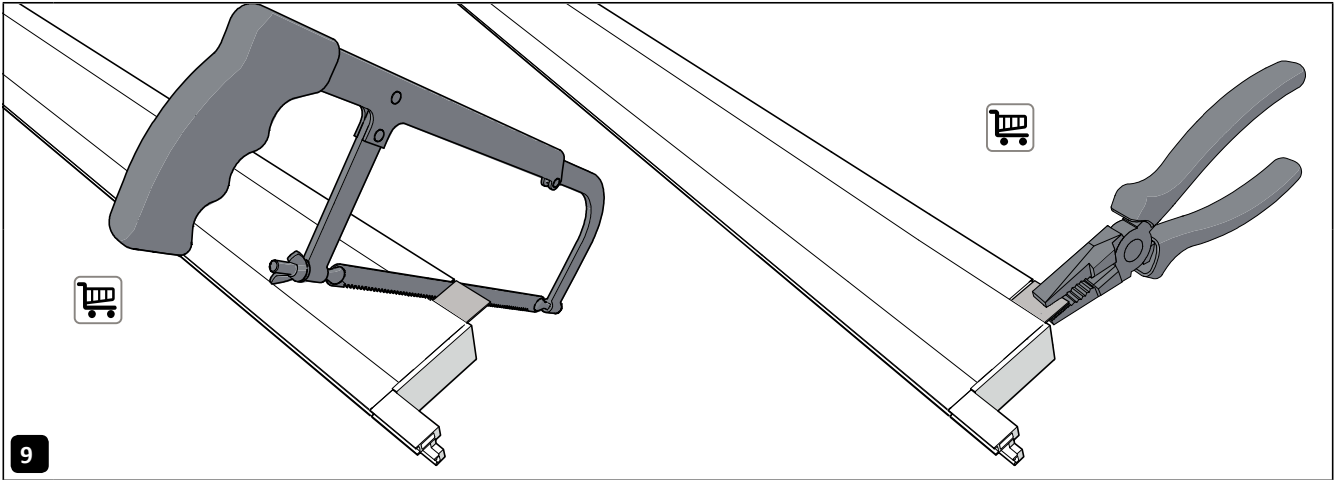
6 Place the gutter onto the Acrow props.



7 Place a side beam against the side of the gutter profile and the wall profile.

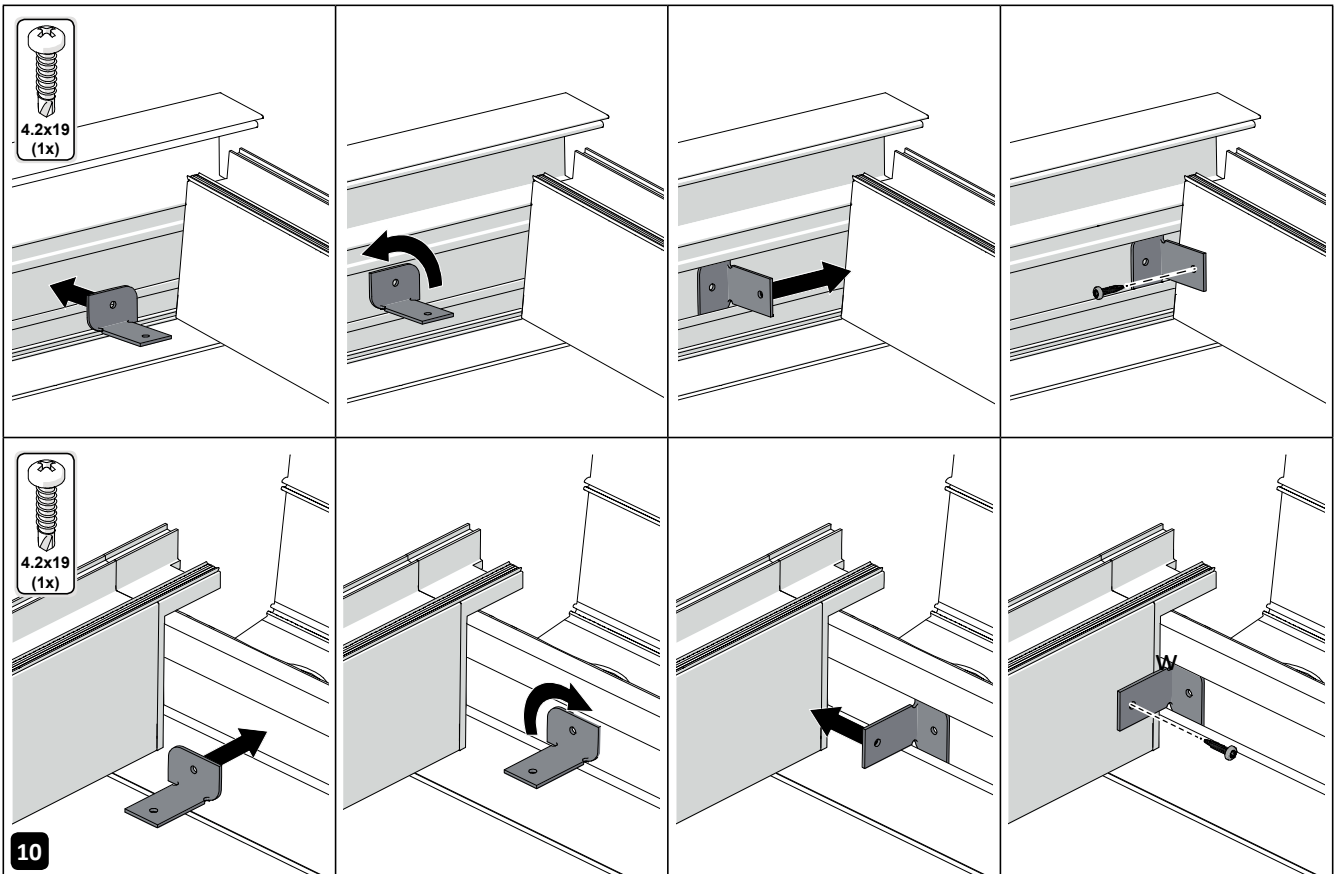


8 Mount the side caps with seven screws, use these to mark on the side beam where you want to cut.



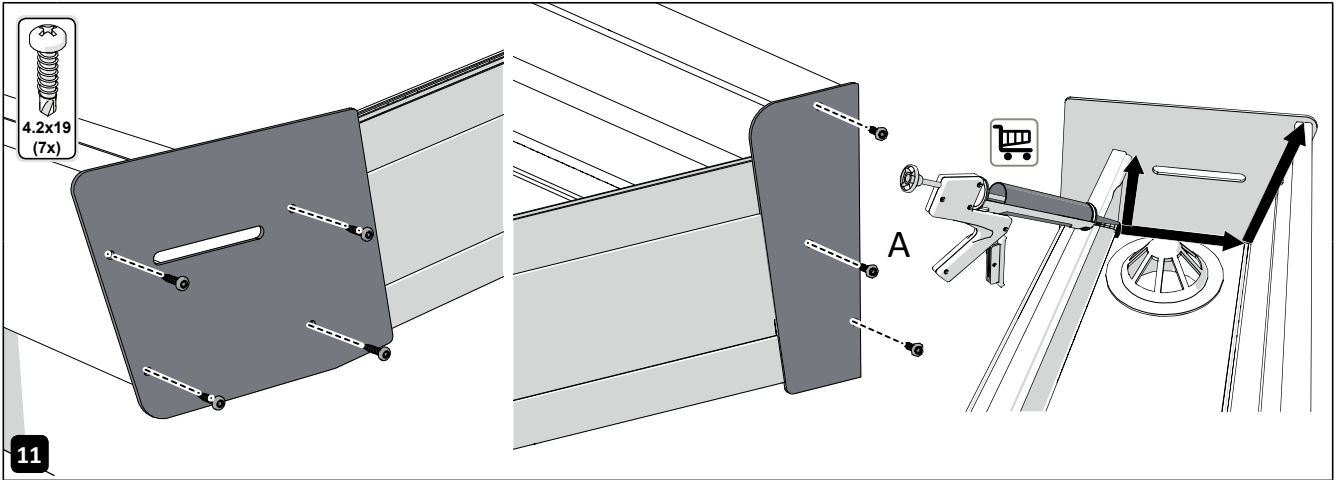
9

Saw along the marked line and break the corners of the side beams with pliers.

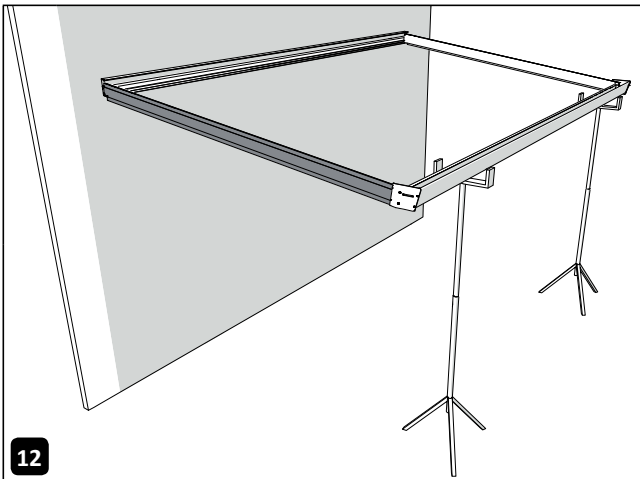


10

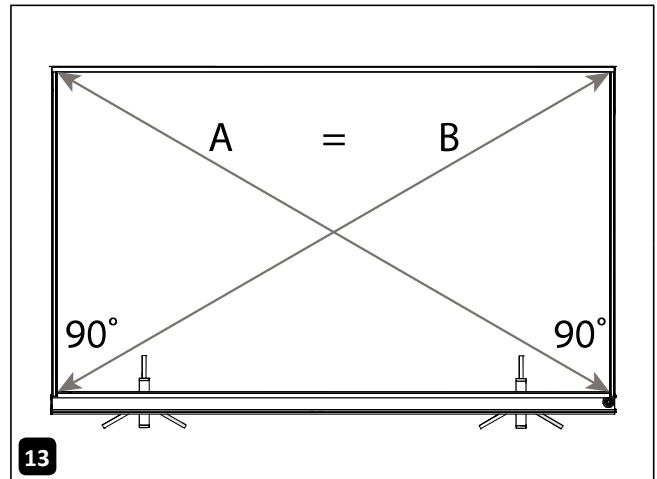
Attach the side beams with one screw to the supplied mounting brackets as shown above.



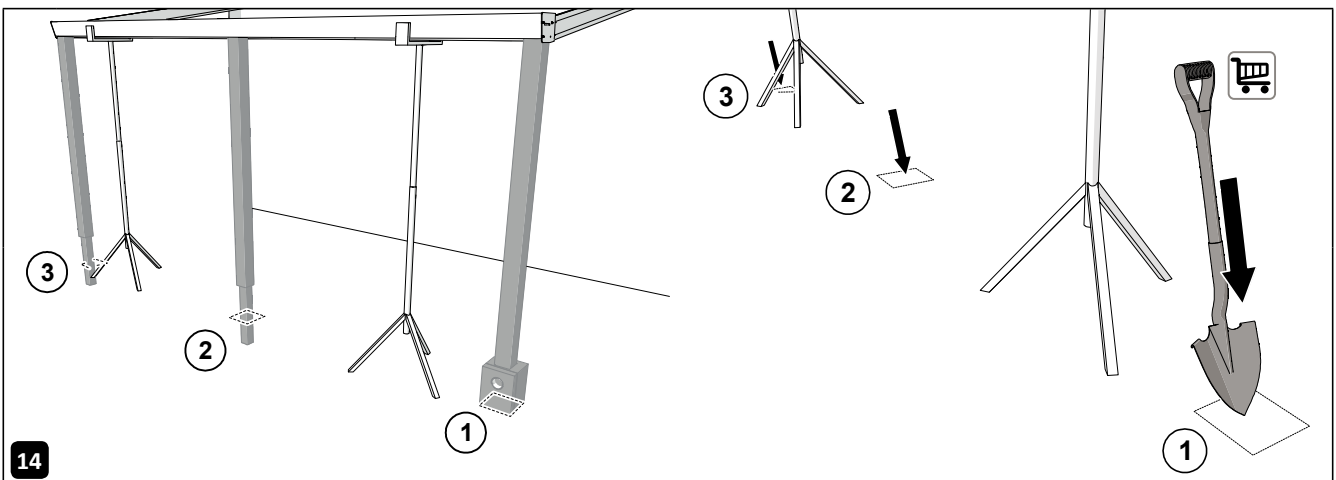
11 Refit the side caps on the side of the gutter and the wall profile with seven screws. Fix the side beam with the middle screw (A) in the head plate and seal the front side cover at the gutter.



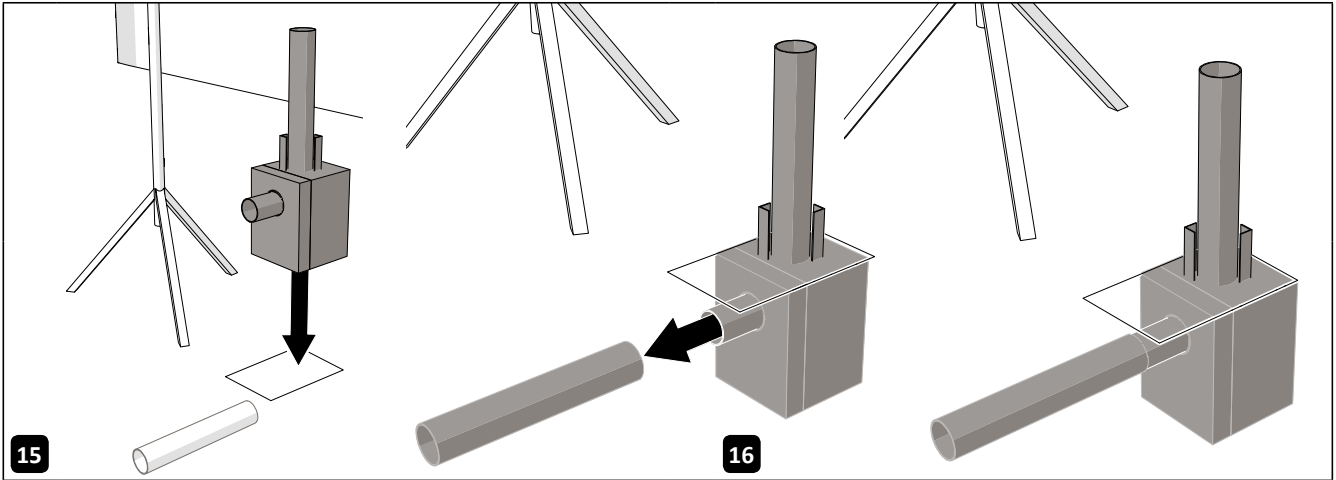
12 Repeat steps 7-11 for the other side beam.



13 Adjust the patio cover so that it is square.



14 Determine the position of the posts and dig them out.



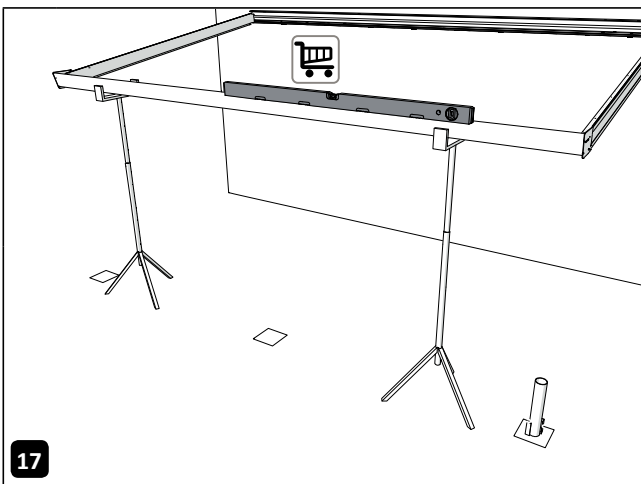
15

16

Install the post foundation with integrated rainwater drainage pipe (RWP).

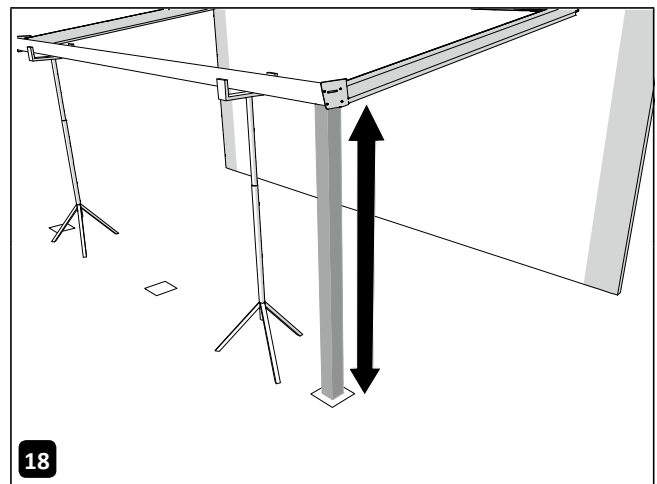
Connect the RWP to the sewer.

The post foundation is optional.



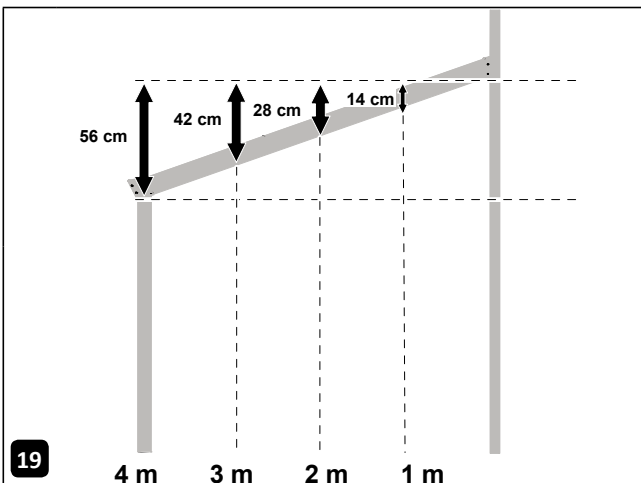
17

Adjust the gutter so that it is level.



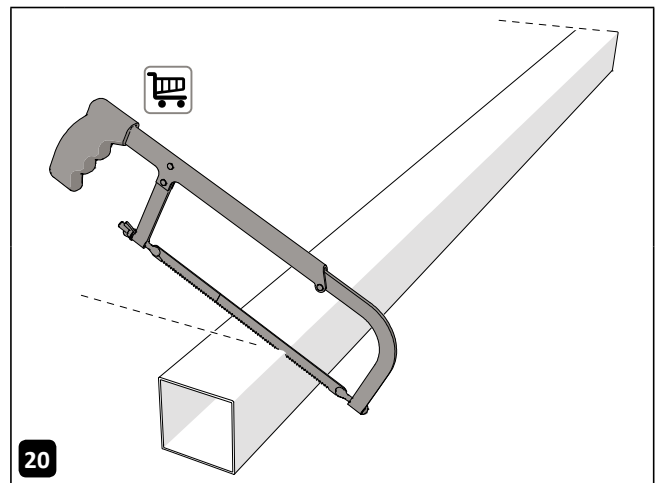
18

Determine the length of the RWP post.



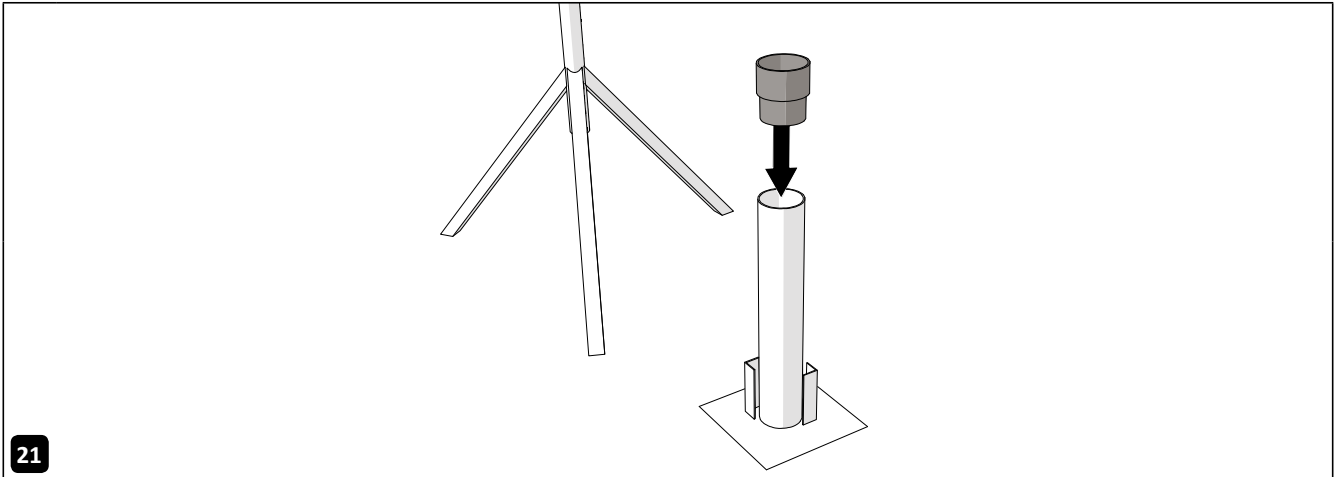
19

See Appendix 1 and 2 for the falls of your specific setup.



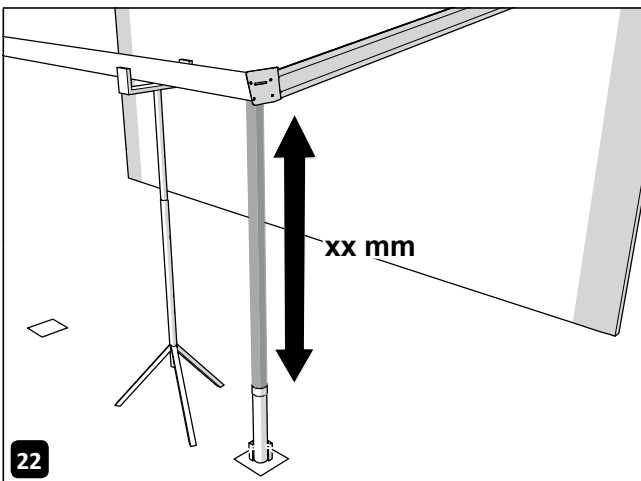
20

Cut the RWP post to size.



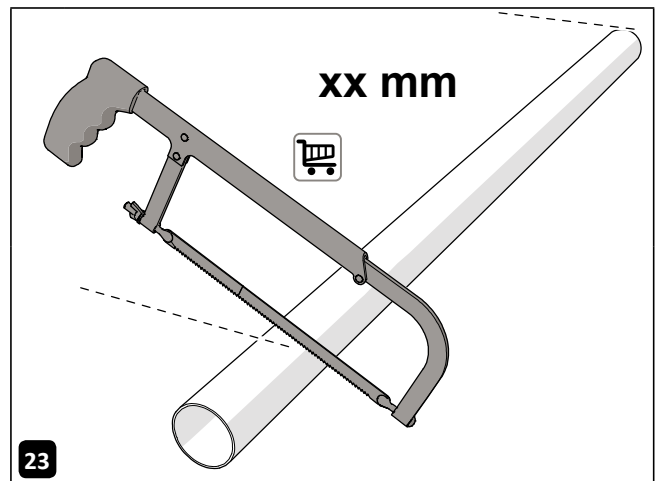
21

Install the coupling sleeve.



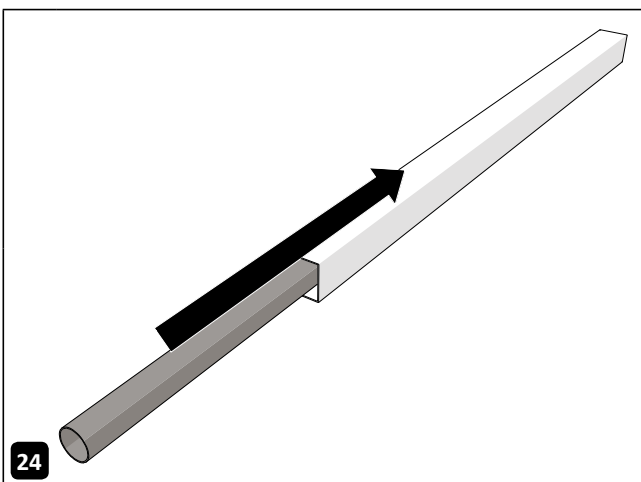
22

Determine the length of the drainpipe.



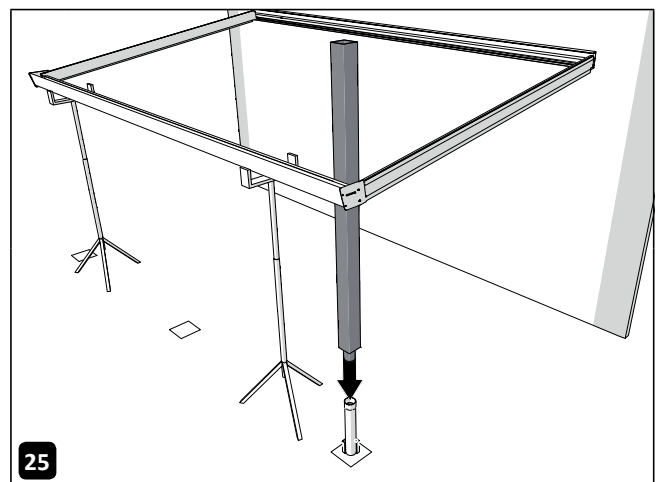
23

Cut the drainpipe to size.



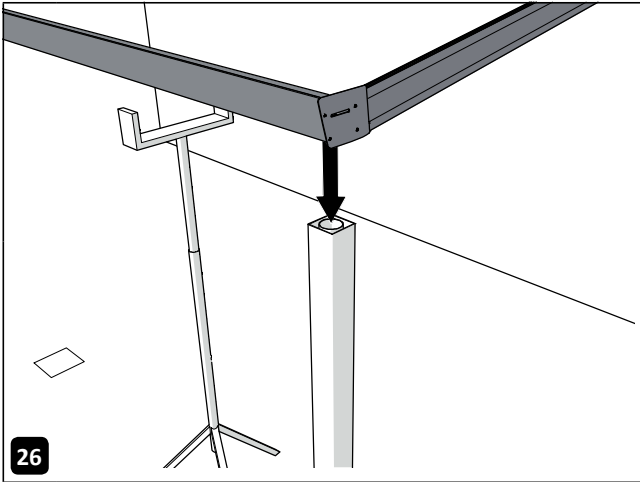
24

Insert the drainpipe into the post.



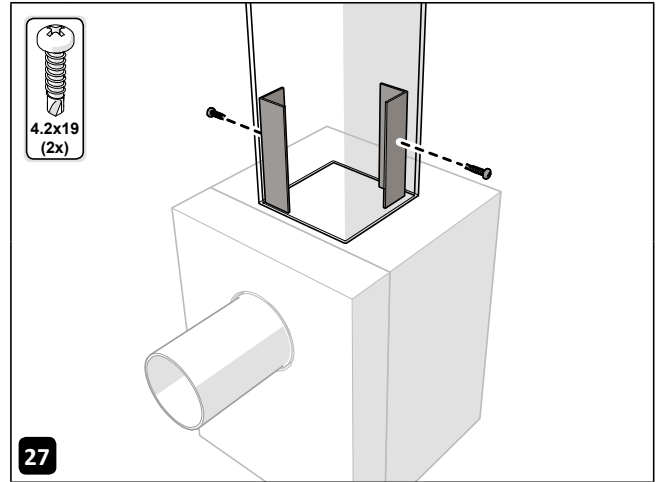
25

Place the post with the drainpipe onto the post foundation.



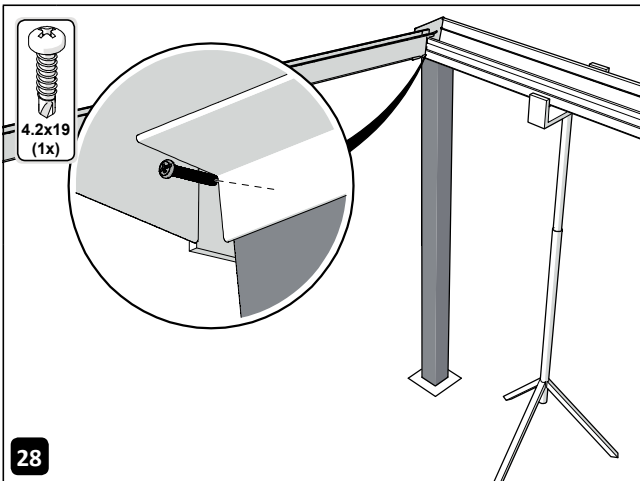
26

Lift up the gutter and allow the leaf trap to drop into the drainpipe.



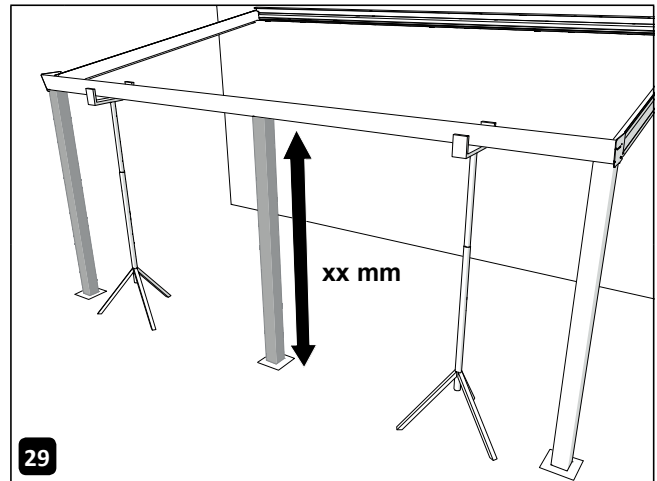
27

Fix the post to the foundation with two screws.



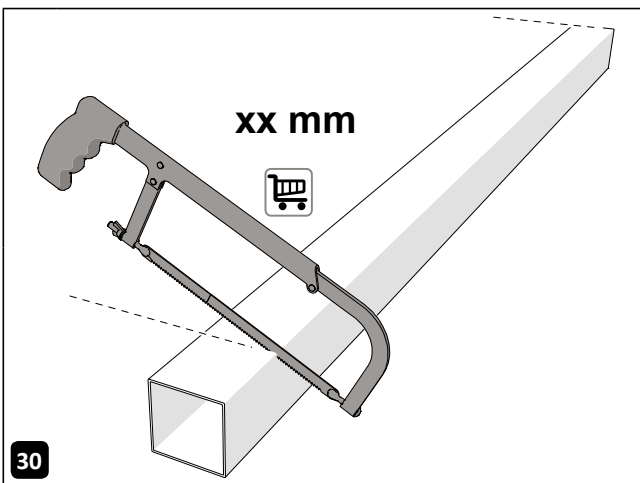
28

Fix the post to the gutter using one screw.



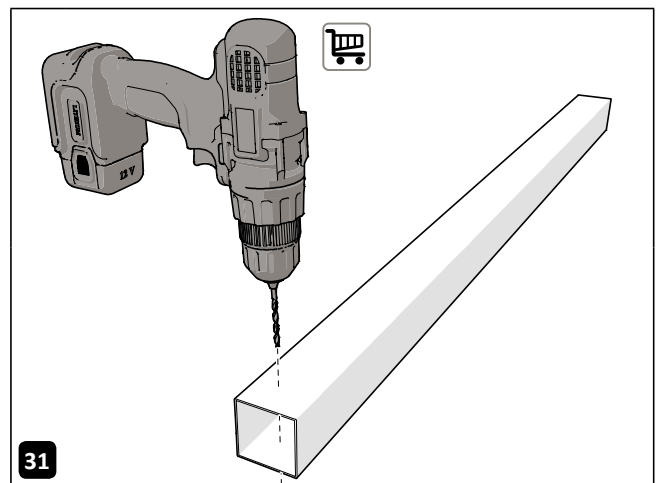
29

Determine the height of the other posts.



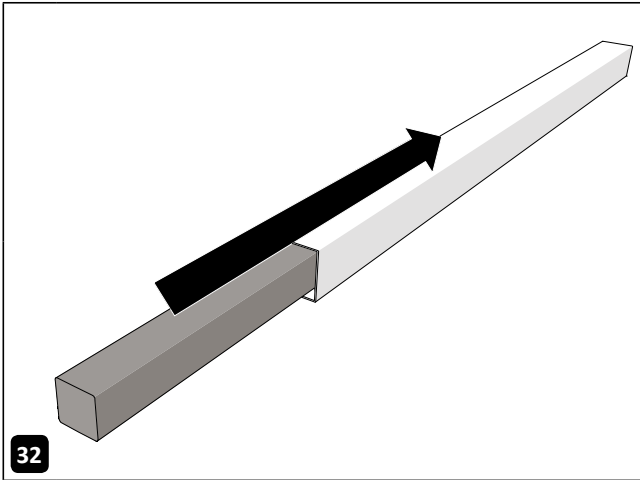
30

Cut the posts to size.

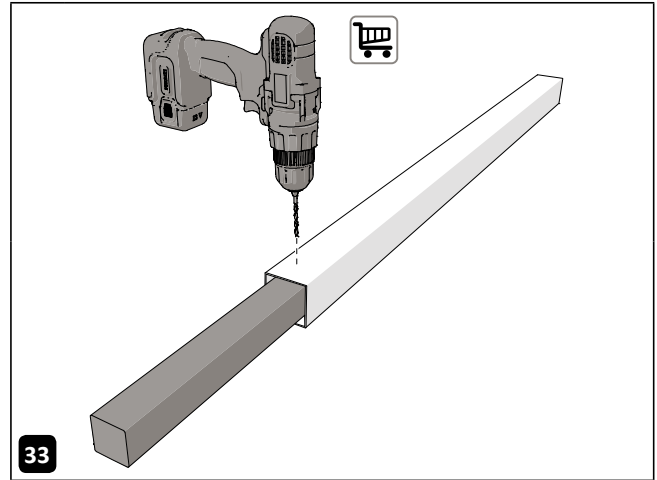


31

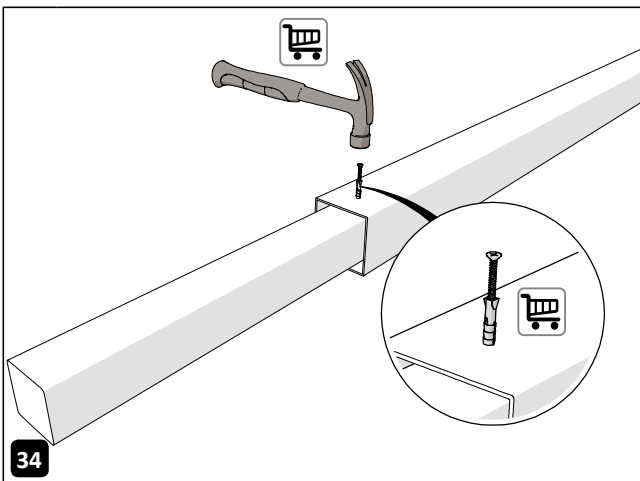
Drill two \varnothing 5 mm holes in the bottom of the posts.



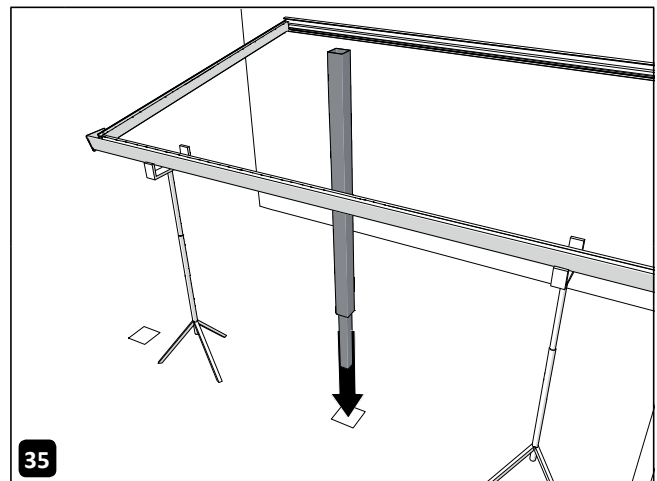
32 Place the post foundations into the posts at the correct distance.



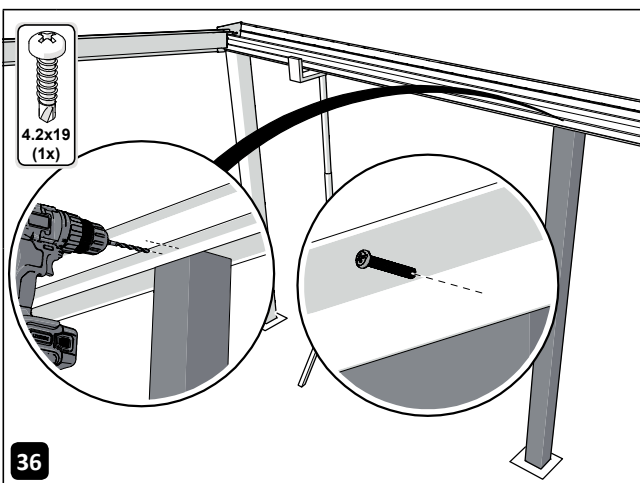
33 Drill holes in the post foundations.



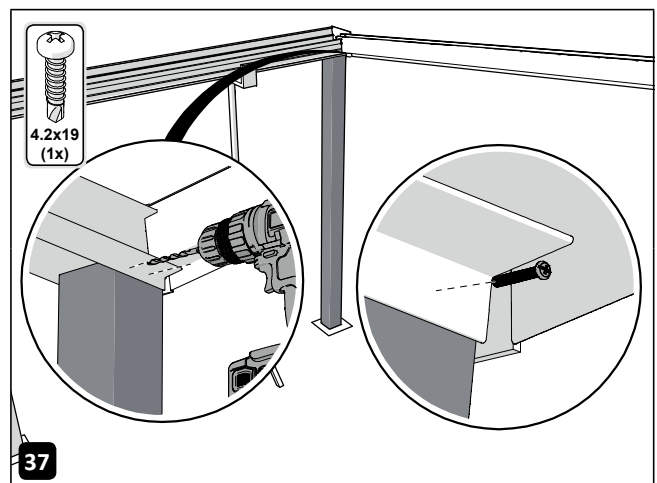
34 Fix the post foundations using dowels or screws and plugs (not included).



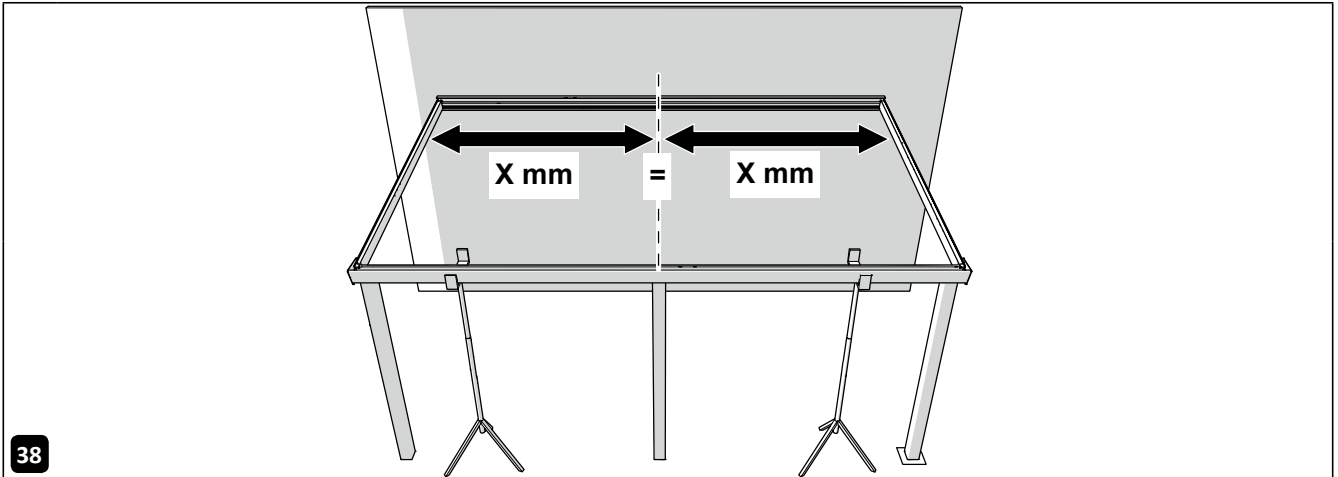
35 Place the posts under the gutter.



36 Fix the post to the gutter using one screw.

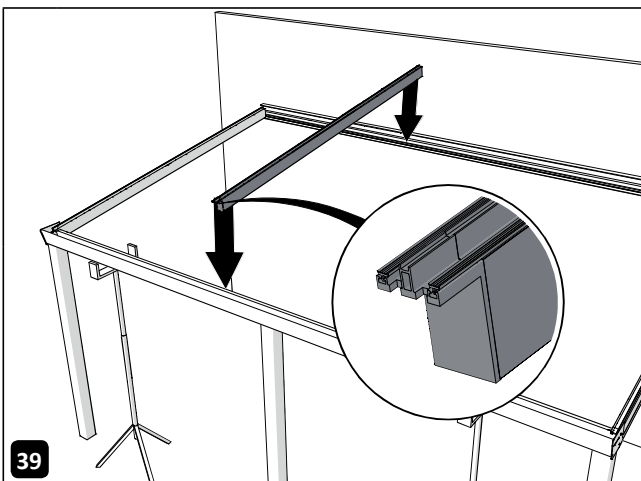


37 Fix the post to the gutter using one screw.



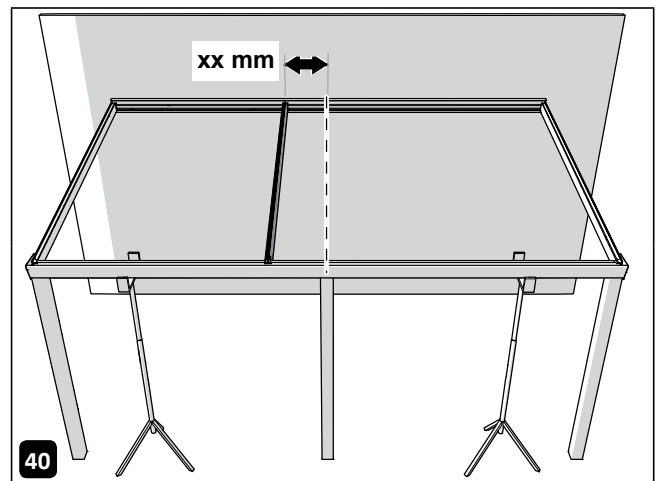
38

Determine the center of the porch on the gutter and the wall profile.



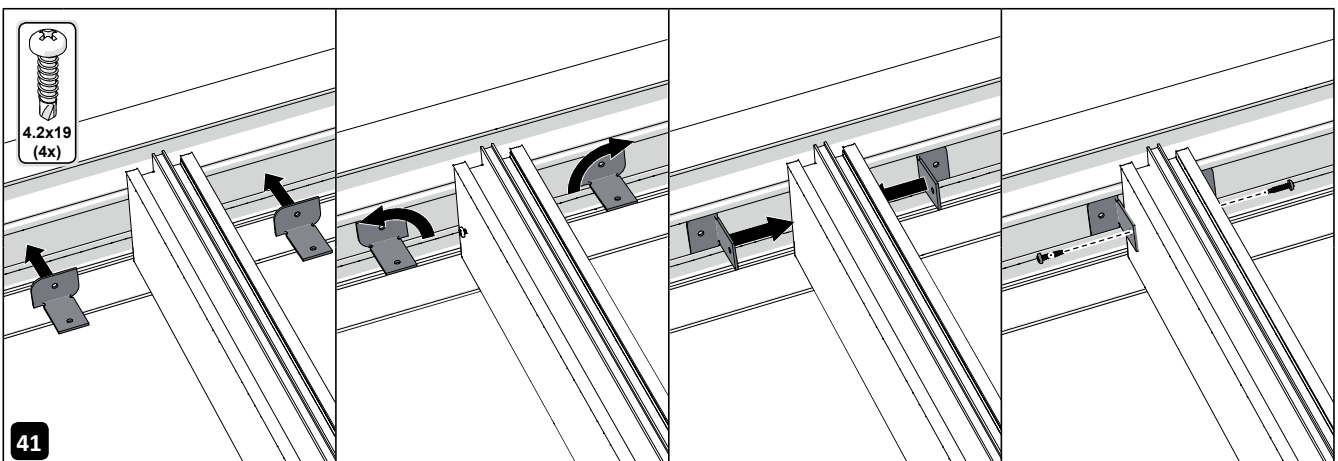
39

Place the first intermediate beam between the gutter and the wall profile.



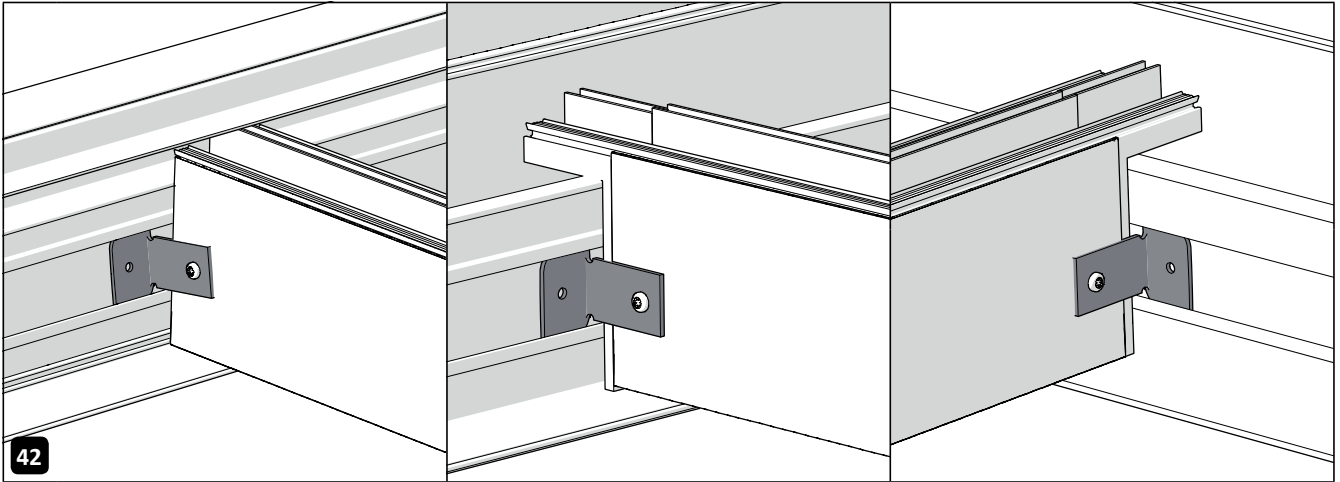
40

Place an intermediate beam on an odd number of roof surfaces so that there is a half roof panel width from the middle. Place the intermediate beam with an even number of roof surfaces in the middle of the patio cover.



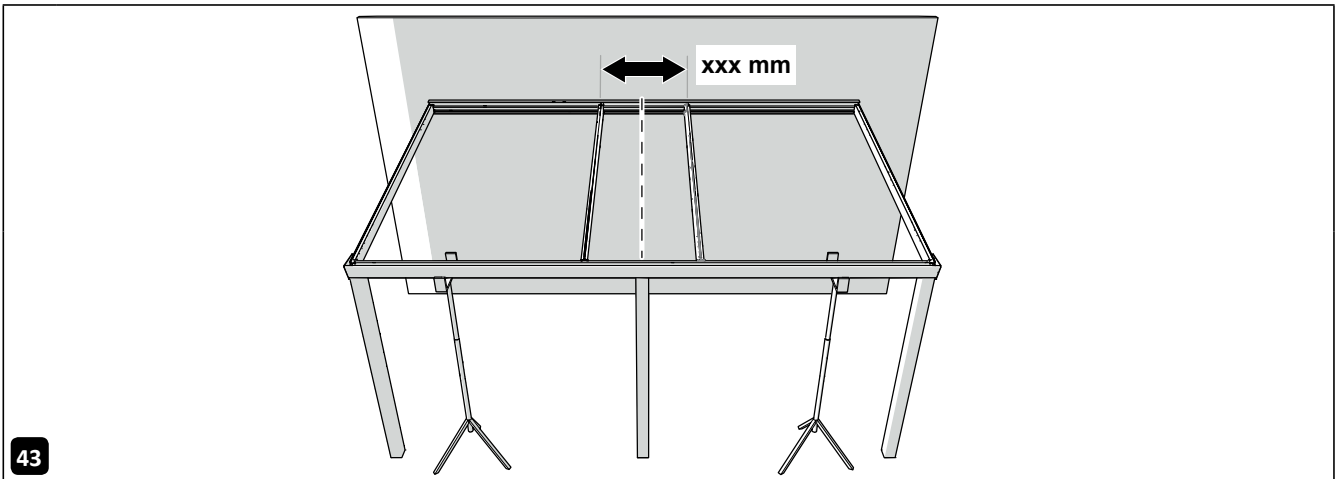
41

Attach the intermediate beam to the wall profile and the gutter using the mounting brackets. Place two mounting brackets on the side of the wall profile and two mounting brackets on the side of the gutter.



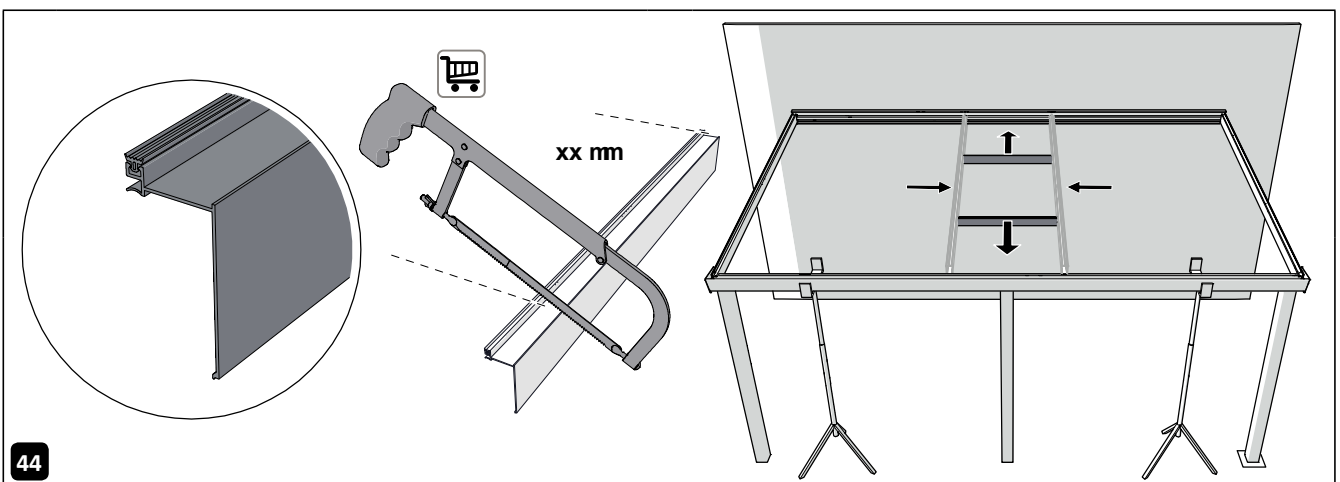
42

Please note! Only screw the mounting brackets to the beams! There should be no screws in the gutter and the wall profile. The beams should still be able to slide.



43

Place a second intermediate beam between the gutter and the wall profile. The intermediate beam should be placed in such a way that there is a roof panel width to the first intermediate beam.

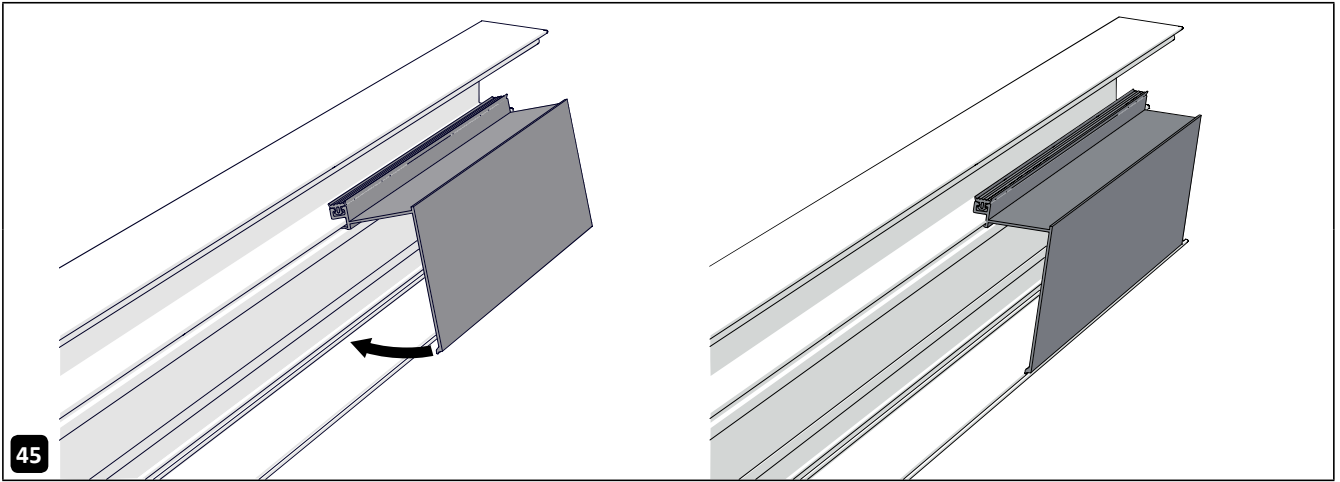


44

Determine the length of the click frames. They can be calculated like this:

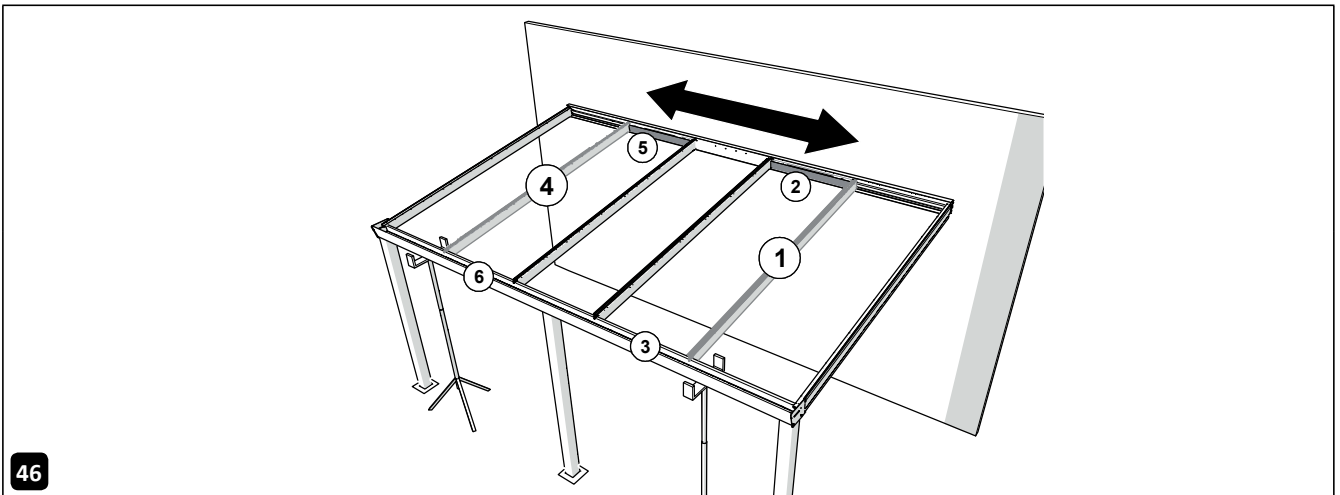
- For glass roof panels: glass width - 30 mm
- For polycarbonate roof panels: panel width - 35 mm

Saw the click frames to size and place them between the intermediate beams on the gutter and the wall profile. Slide the intermediate beams tight against the click frames.



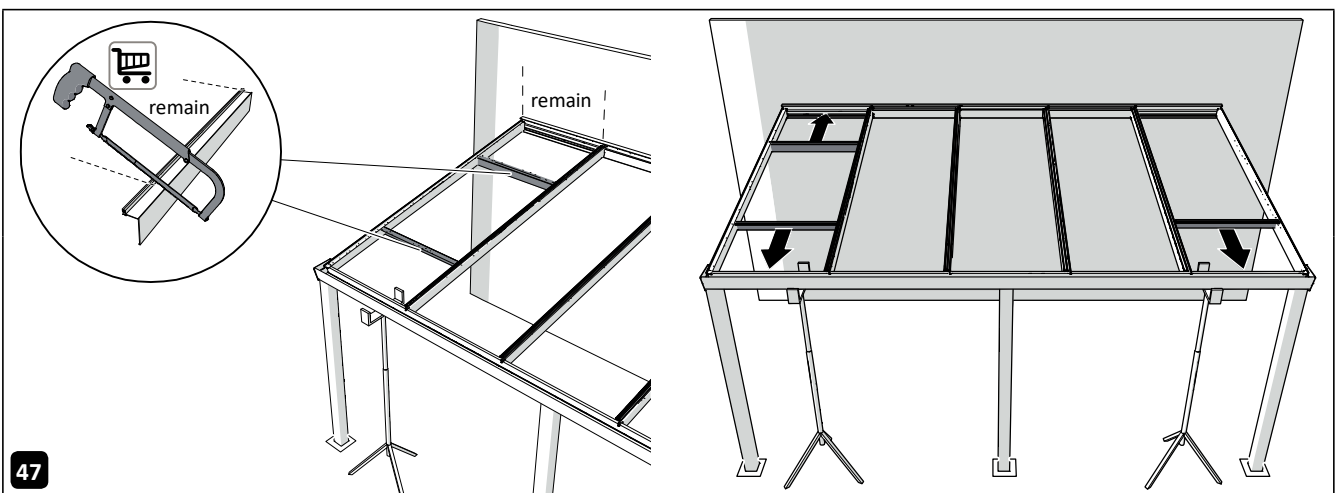
45

Attach the click frames as shown in the image.



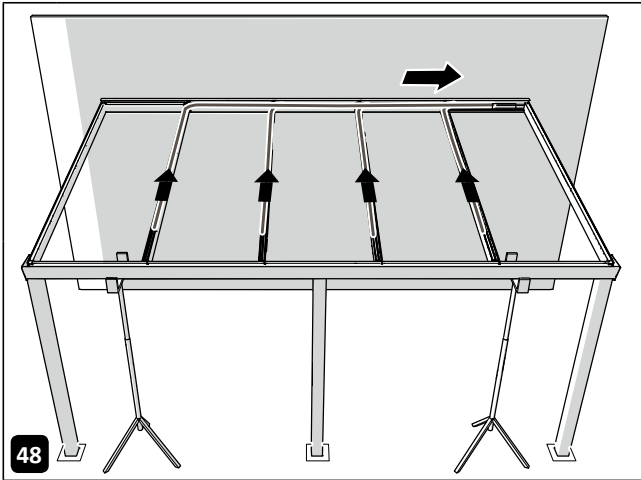
46

Position and attach the other intermediate beams and click frames. Slide the intermediate beams tight against the click frames.

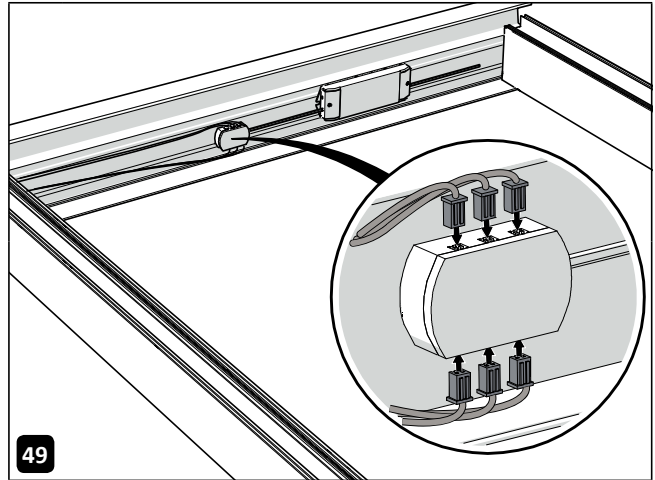


47

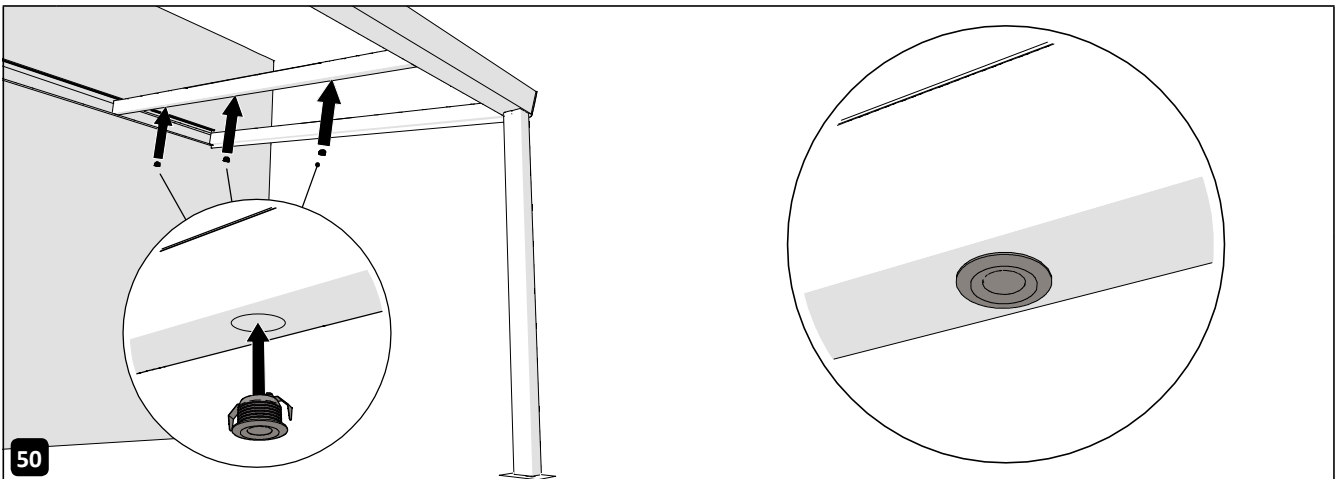
Saw the outer click frames to the remaining length and place them in the gutter and the wall profiles. Please note! Do not place a click frame at the power point yet if you are installing spotlights.



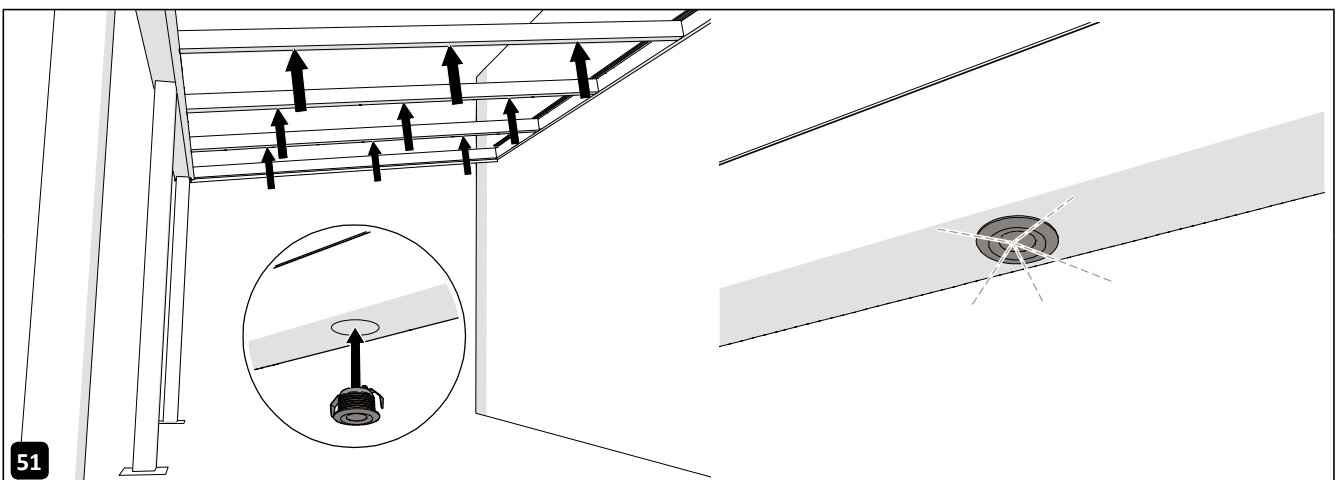
48 (Optional) Feed the cables to the power point.



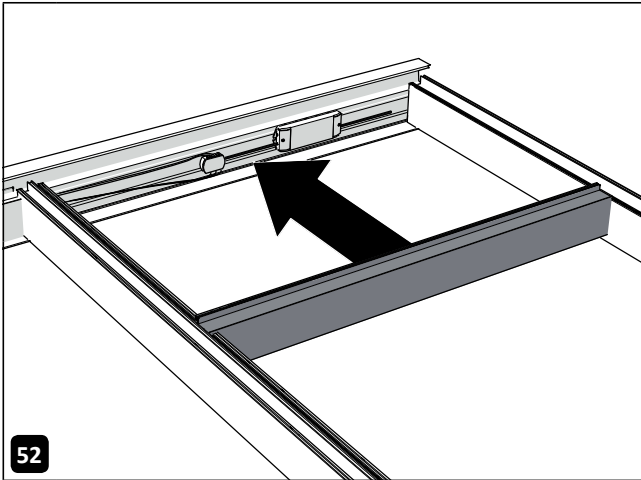
49 (Optional) Connect the cables to the power point.



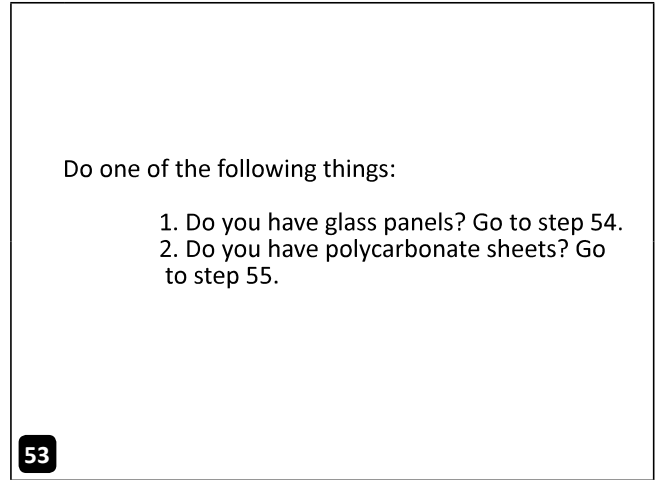
50 (Optional) Install the spotlights.



51 (Optional) Install the spotlights.

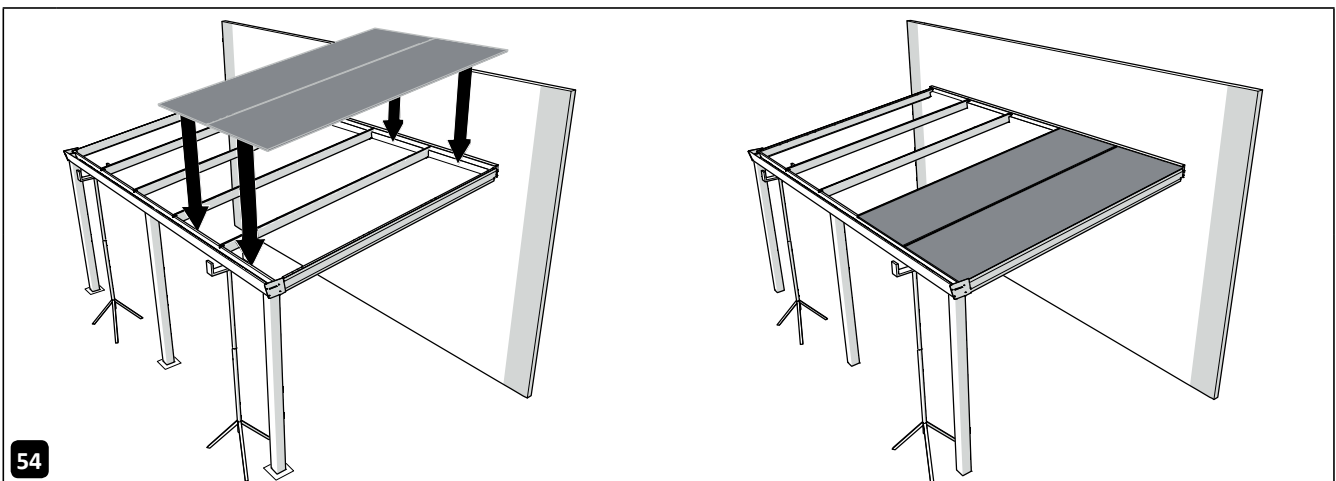


52 Place a click frame at the power point.

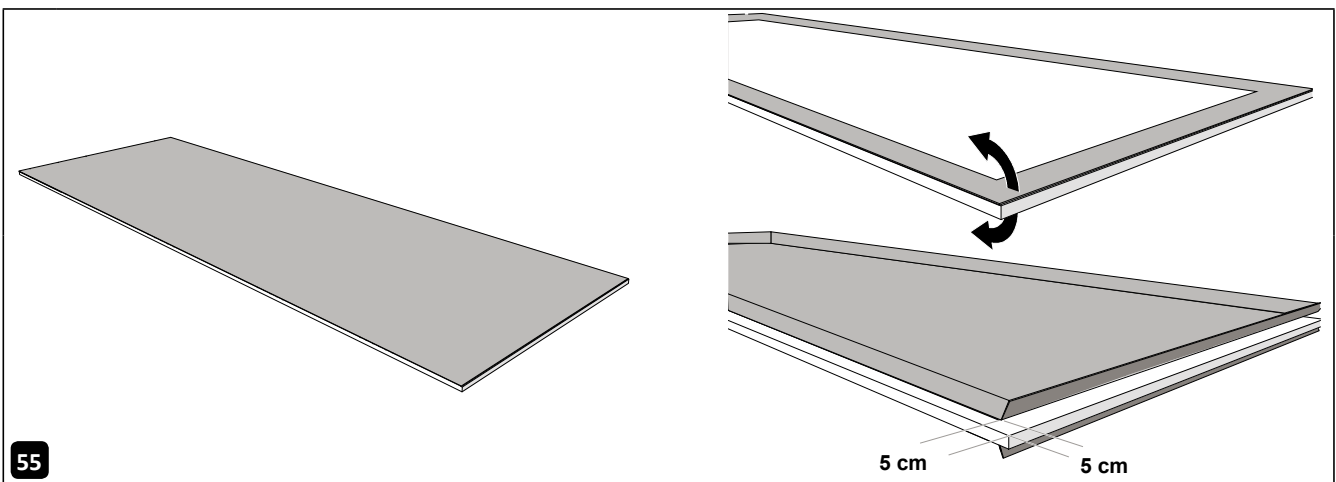


Do one of the following things:

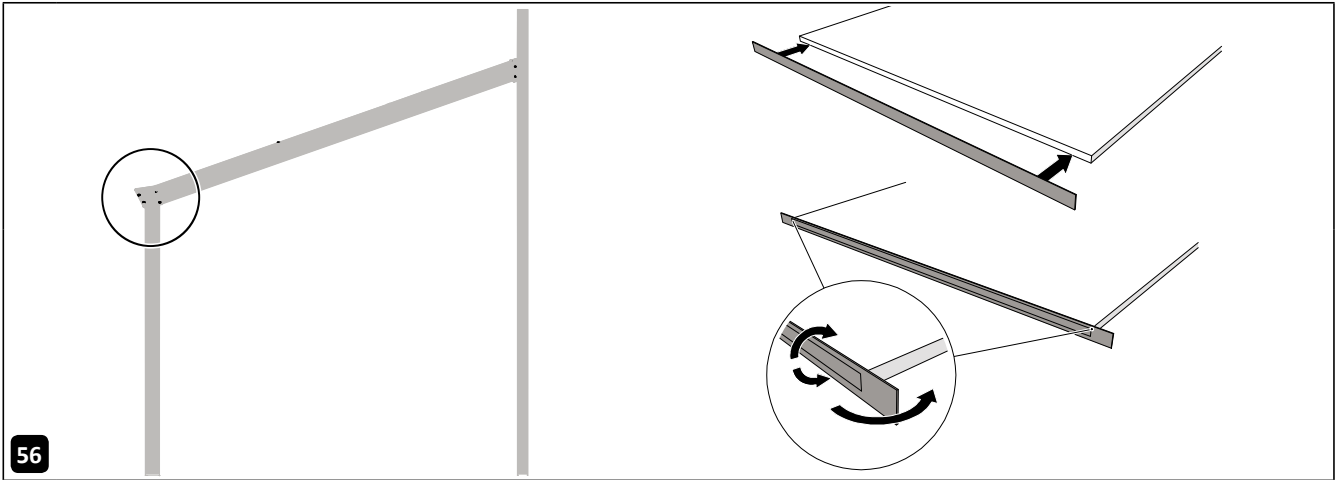
1. Do you have glass panels? Go to step 54.
2. Do you have polycarbonate sheets? Go to step 55.



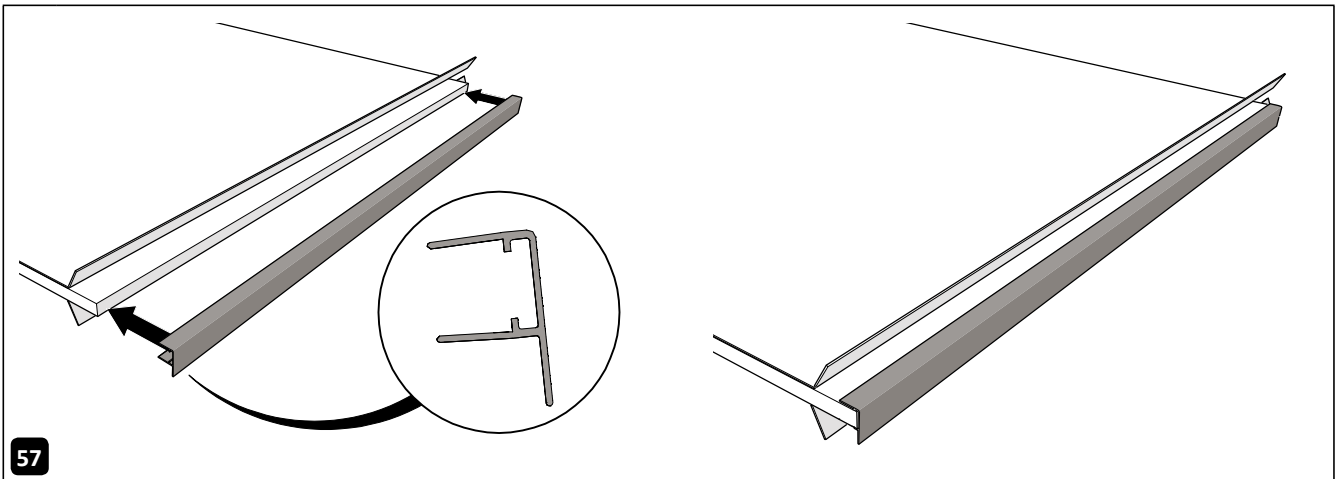
54 Place two glass panels and go to step 60.



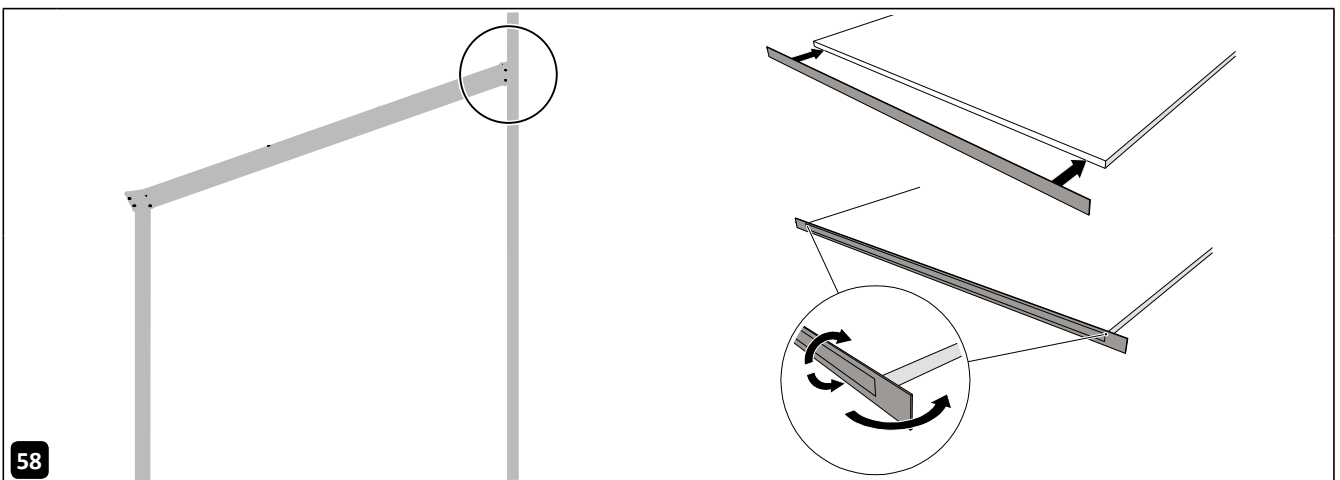
55 Pull the protective film away from the edges, 5 cm all around.



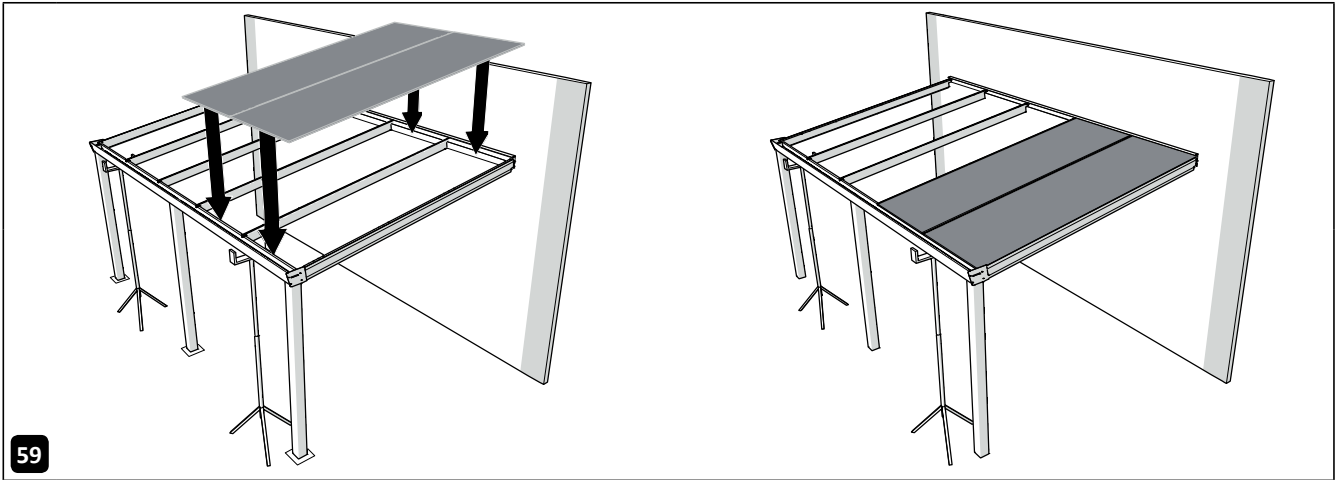
56 Place condensation tape on the front/gutter side.



57 Push the condensation profile over the condensation tape.

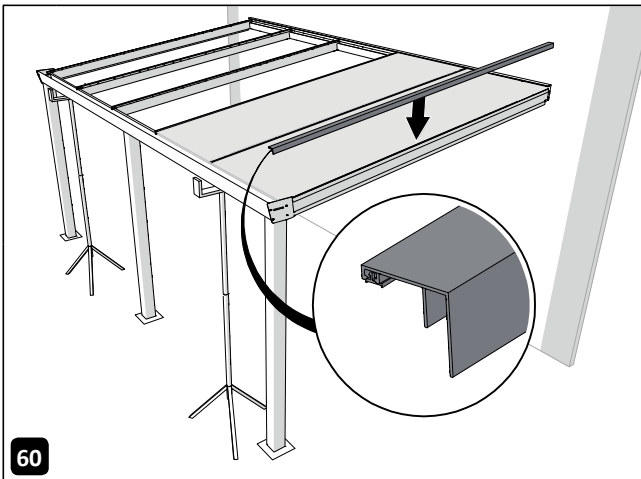


58 Place anti-dust tape on the wall side on the polycarbonate sheet.



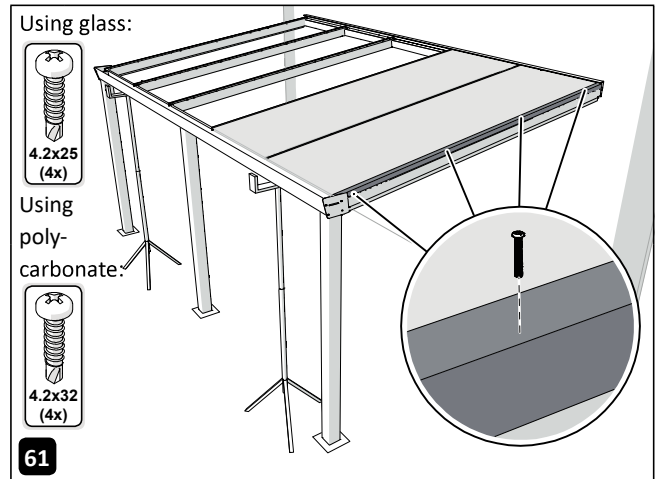
59

Place two polycarbonate sheets with anti-dust tape on the wall side.



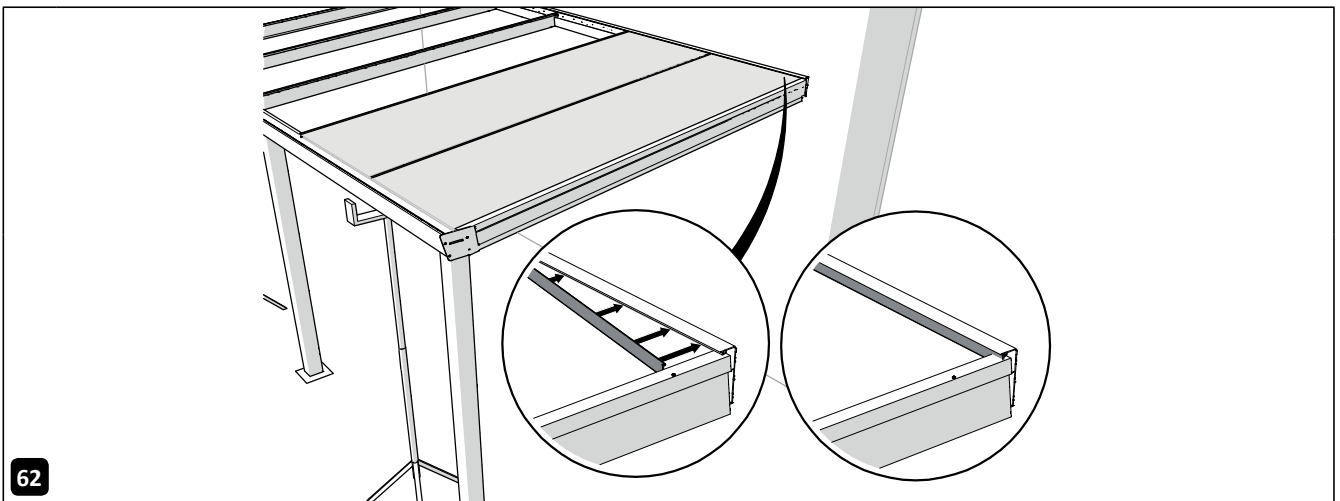
60

Place a side cover profile on one side beam.



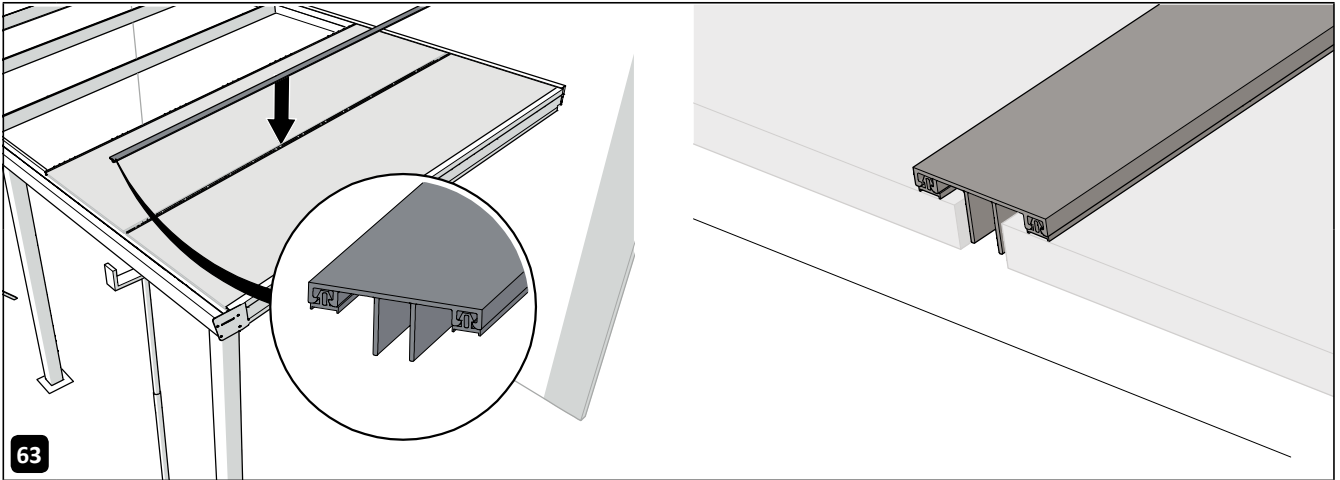
61

Fasten the cover profile onto the side beam (work from one side to the other).

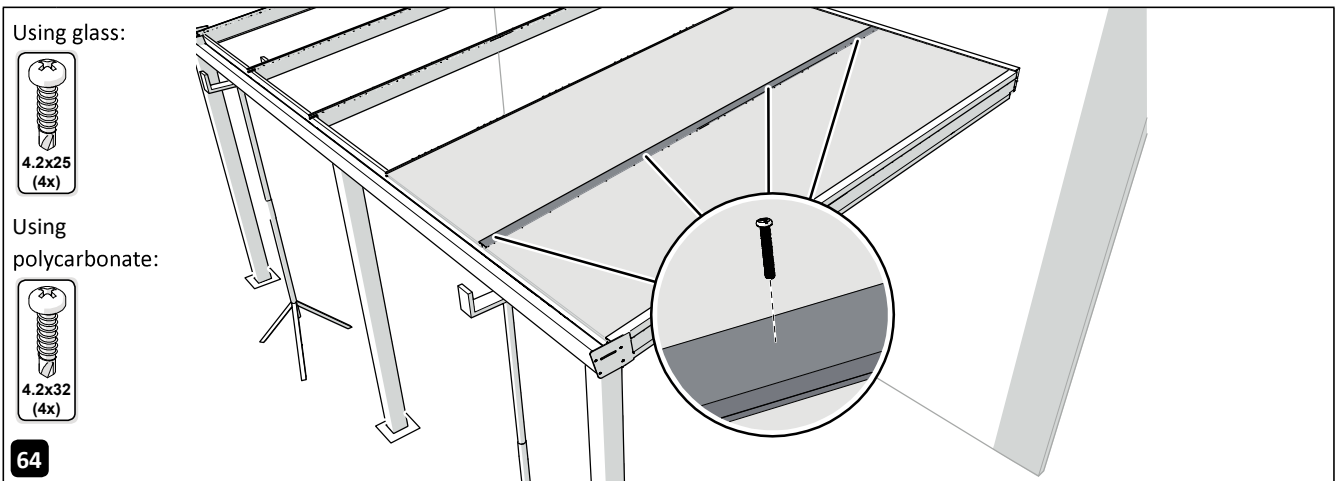


62

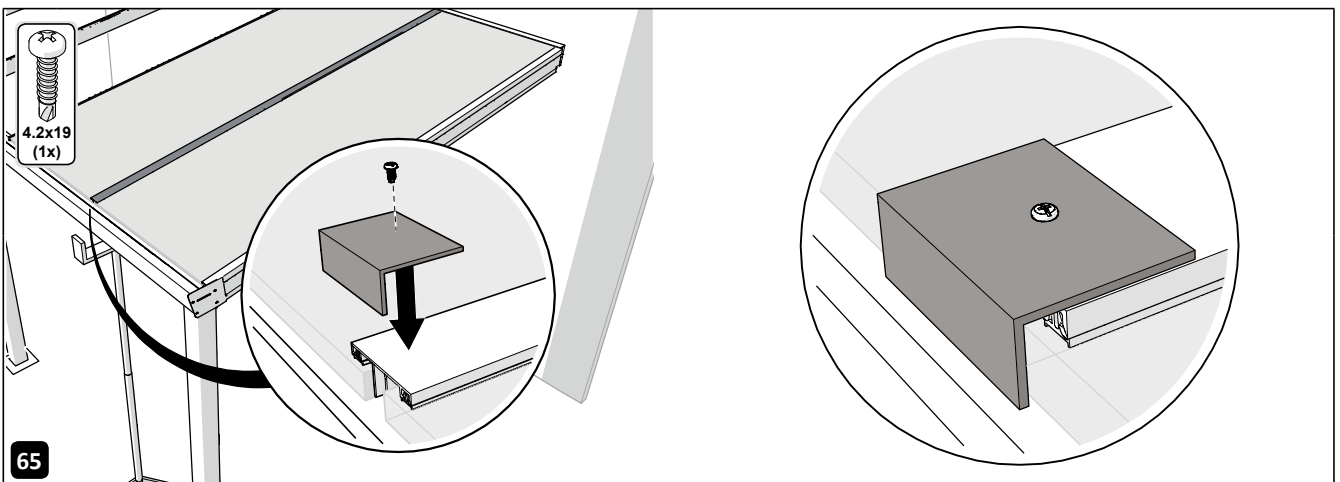
Press the wall rubber seal into the wall profile.



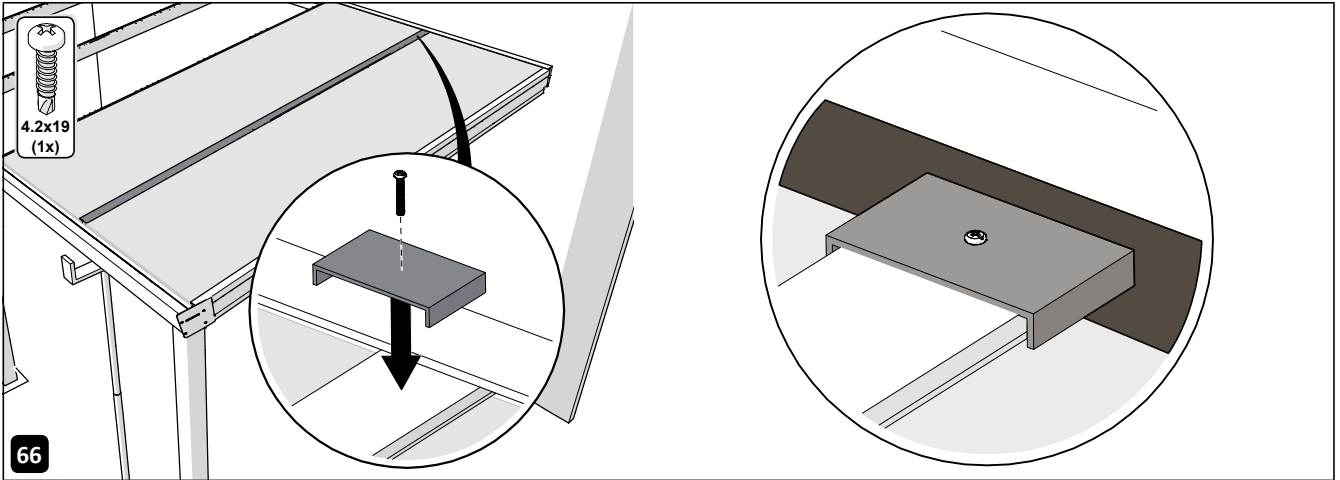
63 Place a cover profile onto the intermediate beam where the sheets are placed.



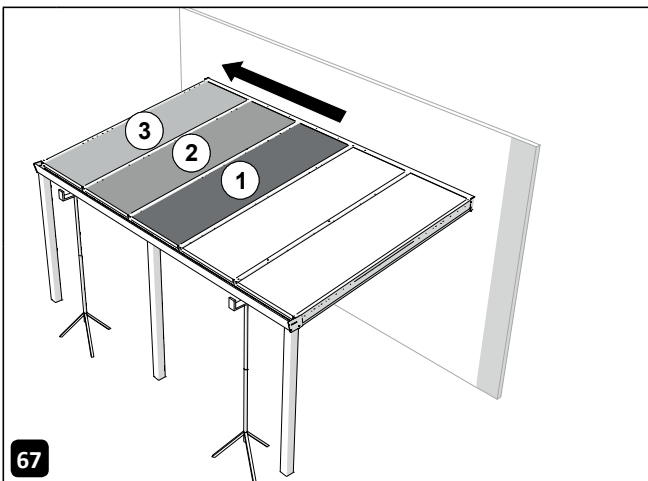
64 Fix the cover profile onto the intermediate beam.



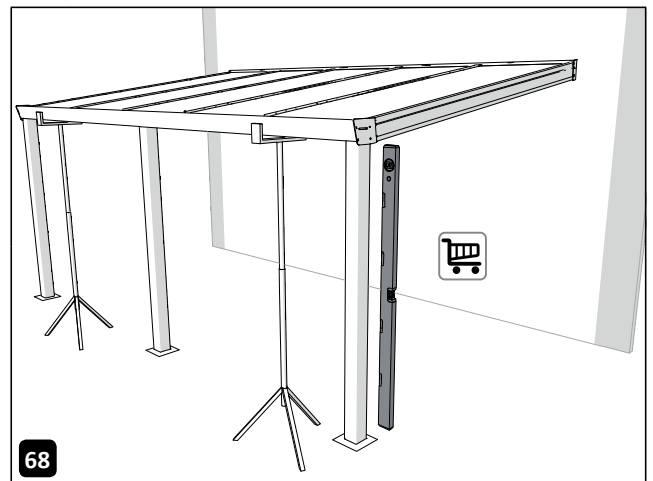
65 Fix the angle plate to the gutter using one screw.



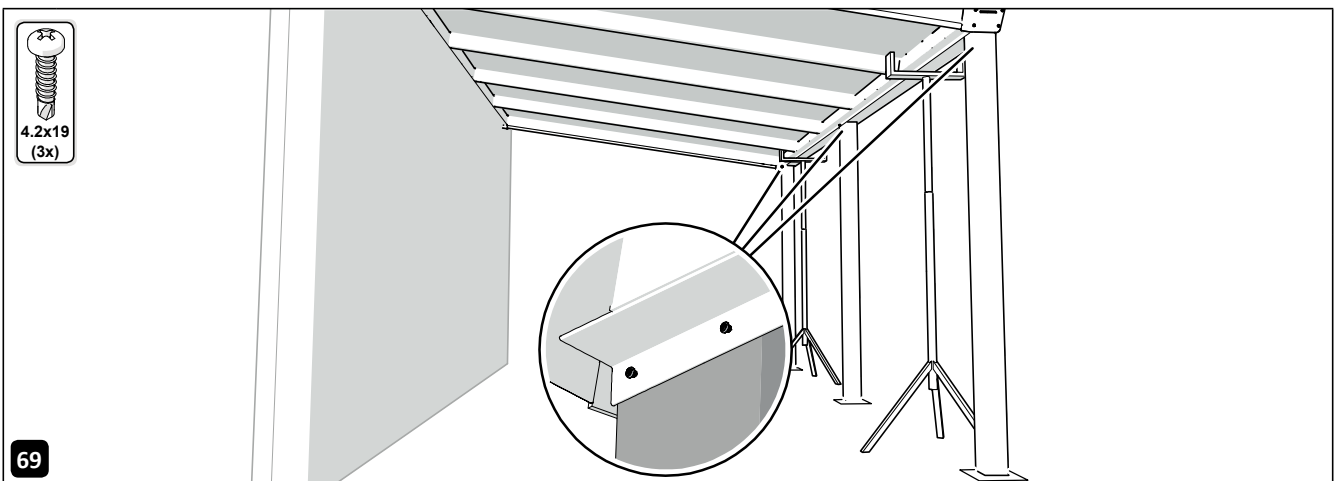
66 Fix the U-profile on the wall side using one screw.



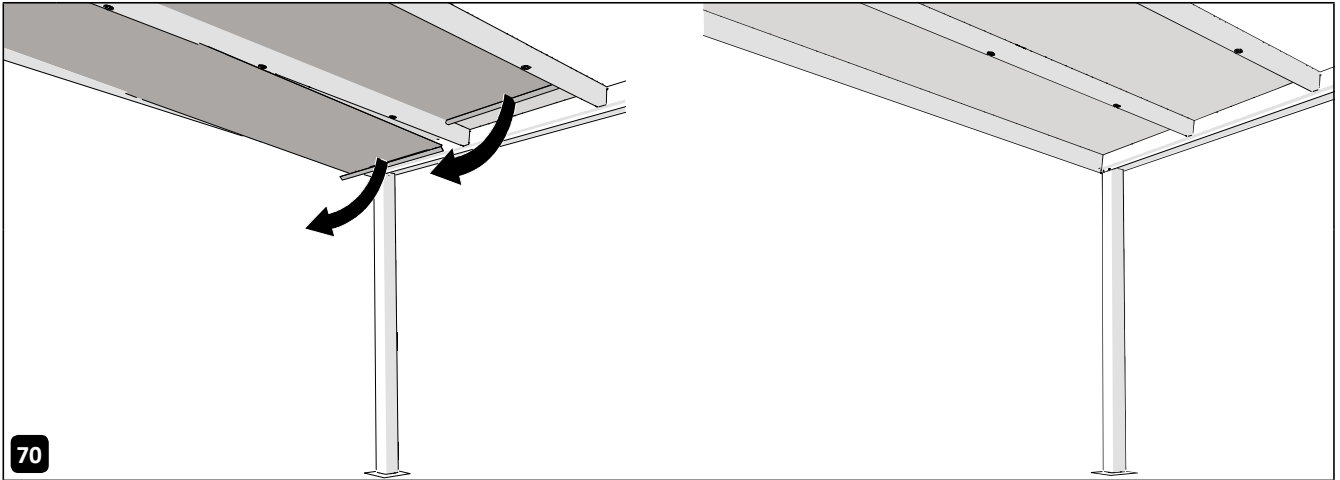
67 Place the remaining polycarbonate sheets or glass panels one by one and repeat steps 63 to 66 for each sheet/panel. Finally, place the side cover profile on the side beam on the other side of the patio cover.



68 Adjust the posts so that they are level.

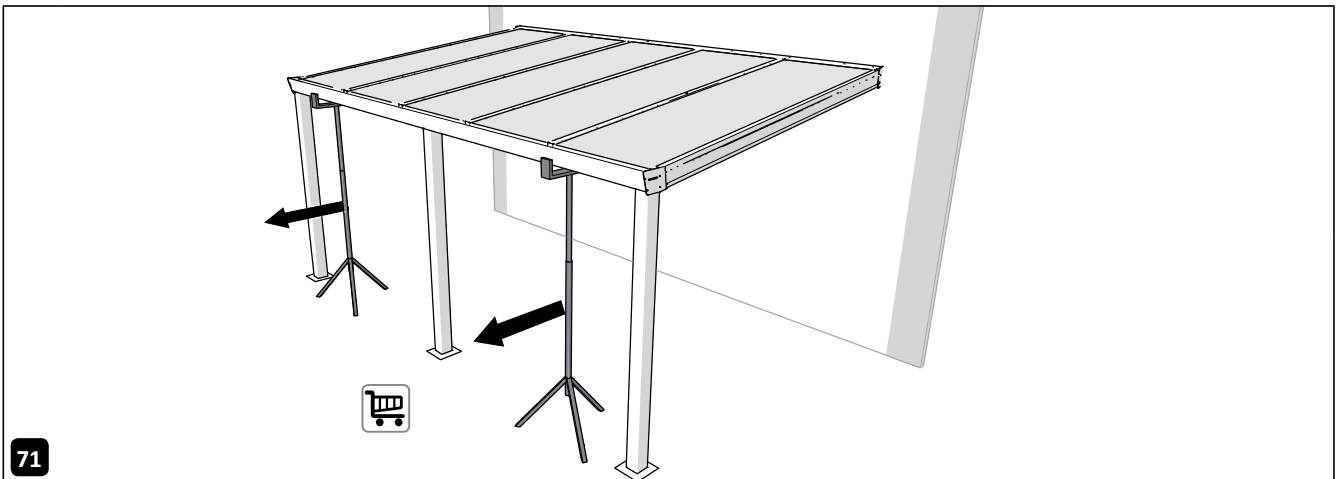


69 Fasten each post to the gutter with a second screw.



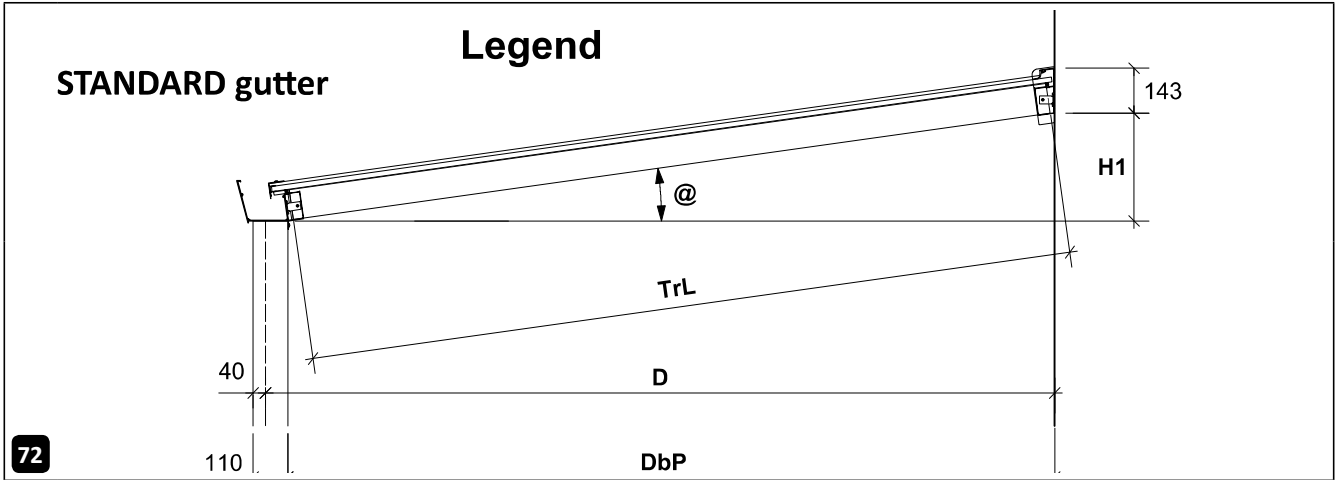
70

Remove the film on the inside of the polycarbonate sheets.



71

Remove all Acrow props.



Choose the desired roof pitch and determine the desired gutter height. The standard gutter height is 2100 mm.

Calculate the height of the wall profile by adding the gutter height to the H1 value of your specific setup.

Indicated below is the distance from the posts to the wall (DpB), the fall (H1) and the length of the intermediate and side beams (TrL):

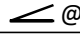
Legend D=200 cm:			
∠ @	H1	TrL	DbP
5°	17.3 cm	191.7 cm	194.1 cm
6°	20.6 cm	191.7 cm	193.7 cm
7°	23.9 cm	191.7 cm	193.3 cm
8°	27.1 cm	191.7 cm	193.0 cm
9°	30.4 cm	191.7 cm	192.4 cm
10°	33.6 cm	191.7 cm	192.0 cm
11°	36.9 cm	191.7 cm	191.3 cm
12°	40.1 cm	191.7 cm	190.7 cm
13°	43.4 cm	191.7 cm	190.0 cm
14°	46.6 cm	191.7 cm	189.5 cm
15°	49.8 cm	191.7 cm	188.6 cm

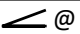
Legend D=250 cm:			
∠ @	H1	TrL	DbP
5°	21.7 cm	242.2 cm	244.4 cm
6°	25.9 cm	242.2 cm	244.0 cm
7°	30.0 cm	242.2 cm	243.5 cm
8°	34.1 cm	242.2 cm	243.0 cm
9°	38.3 cm	242.2 cm	242.3 cm
10°	42.4 cm	242.2 cm	241.7 cm
11°	46.5 cm	242.2 cm	240.9 cm
12°	50.6 cm	242.2 cm	240.1 cm
13°	54.7 cm	242.2 cm	239.3 cm
14°	58.8 cm	242.2 cm	238.5 cm
15°	62.8 cm	242.2 cm	237.4 cm

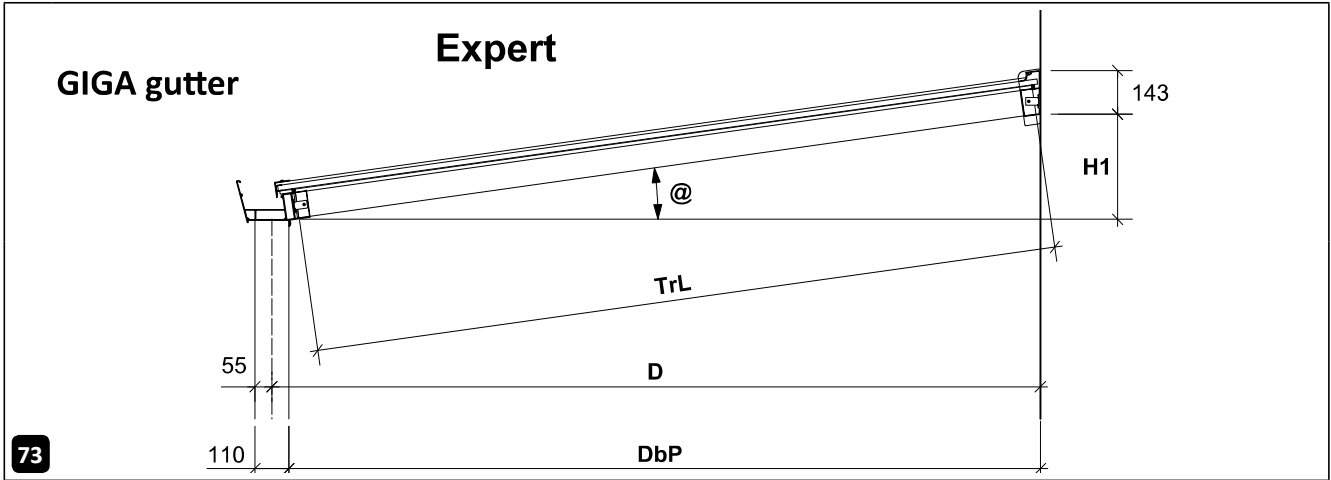
Legend D=300 cm:			
∠ @	H1	TrL	DbP
5°	26.1 cm	292.7 cm	294.6 cm
6°	31.1 cm	292.7 cm	294.2 cm
7°	36.2 cm	292.7 cm	293.6 cm
8°	41.1 cm	292.7 cm	293.0 cm
9°	46.2 cm	292.7 cm	292.3 cm
10°	51.2 cm	292.7 cm	291.5 cm
11°	56.2 cm	292.7 cm	290.6 cm
12°	61.1 cm	292.7 cm	289.6 cm
13°	66.1 cm	292.7 cm	288.6 cm
14°	71.0 cm	292.7 cm	287.5 cm
15°	75.9 cm	292.7 cm	286.2 cm

Legend D=350 cm:			
∠ @	H1	TrL	DbP
5°	30.5 cm	343.2 cm	344.9 cm
6°	36.4 cm	343.2 cm	344.4 cm
7°	42.3 cm	343.2 cm	343.7 cm
8°	48.2 cm	343.2 cm	343.0 cm
9°	53.2 cm	343.2 cm	342.3 cm
10°	60.0 cm	343.2 cm	341.2 cm
11°	65.8 cm	343.2 cm	340.2 cm
12°	71.6 cm	343.2 cm	339.0 cm
13°	77.5 cm	343.2 cm	337.8 cm
14°	83.3 cm	343.2 cm	336.5 cm
15°	89.0 cm	343.2 cm	335.0 cm

Legend D=400 cm:			
 @	H1	TrL	DbP
5°	34.9 cm	393.7 cm	395.2 cm
6°	41.7 cm	393.7 cm	394.6 cm
7°	48.5 cm	393.7 cm	393.8 cm
8°	55.2 cm	393.7 cm	393.0 cm
9°	61.1 cm	393.7 cm	392.2 cm
10°	68.7 cm	393.7 cm	390.9 cm
11°	75.4 cm	393.7 cm	389.7 cm
12°	82.1 cm	393.7 cm	388.4 cm
13°	88.8 cm	393.7 cm	387.0 cm
14°	95.5 cm	393.7 cm	385.5 cm
15°	102.0 cm	393.7 cm	383.7 cm

Legend D=450 cm:			
 @	H1	TrL	DbP
5°	39.3 cm	444.2 cm	445.5 cm
6°	47.0 cm	444.2 cm	444.8 cm
7°	54.6 cm	444.2 cm	443.9 cm
8°	62.2 cm	444.2 cm	443.0 cm
9°	69.0 cm	444.2 cm	442.1 cm
10°	77.5 cm	444.2 cm	440.7 cm
11°	85.1 cm	444.2 cm	439.3 cm
12°	92.6 cm	444.2 cm	437.8 cm
13°	100.2 cm	444.2 cm	436.2 cm
14°	107.7 cm	444.2 cm	434.5 cm
15°	115.1 cm	444.2 cm	432.5 cm

Legend D=500 cm:			
 @	H1	TrL	DbP
5°	43.7 cm	494.7 cm	495.8 cm
6°	52.2 cm	494.7 cm	495.1 cm
7°	60.8 cm	494.7 cm	494.1 cm
8°	69.3 cm	494.7 cm	493.0 cm
9°	76.9 cm	494.7 cm	492.0 cm
10°	86.3 cm	494.7 cm	490.5 cm
11°	94.7 cm	494.7 cm	488.9 cm
12°	103.1 cm	494.7 cm	487.2 cm
13°	111.5 cm	494.7 cm	485.4 cm
14°	119.9 cm	494.7 cm	483.5 cm
15°	128.2 cm	494.7 cm	481.3 cm



Choose the desired roof pitch and determine the desired gutter height. The standard gutter height is 2100 mm.

Calculate the height of the wall profile by adding the gutter height to the H1 value of your specific setup.

Indicated below is the distance from the posts to the wall (DbP), the fall (H1) and the length of the intermediate and side beams (TrL).

Expert D=200 cm:			
∠@	H1	TrL	DbP
5°	17.3 cm	191.7 cm	195.6 cm
6°	20.6 cm	191.7 cm	195.2 cm
7°	23.9 cm	191.7 cm	194.8 cm
8°	27.1 cm	191.7 cm	194.5 cm
9°	30.4 cm	191.7 cm	193.9 cm
10°	33.6 cm	191.7 cm	193.5 cm
11°	36.9 cm	191.7 cm	192.8 cm
12°	40.1 cm	191.7 cm	192.2 cm
13°	43.4 cm	191.7 cm	191.5 cm
14°	46.6 cm	191.7 cm	191.0 cm
15°	49.8 cm	191.7 cm	190.1 cm

Expert D=250 cm:			
∠@	H1	TrL	DbP
5°	21.7 cm	242.2 cm	245.9 cm
6°	25.9 cm	242.2 cm	245.5 cm
7°	30.0 cm	242.2 cm	245.0 cm
8°	34.1 cm	242.2 cm	244.5 cm
9°	38.3 cm	242.2 cm	243.8 cm
10°	42.4 cm	242.2 cm	243.2 cm
11°	46.5 cm	242.2 cm	242.4 cm
12°	50.6 cm	242.2 cm	241.6 cm
13°	54.7 cm	242.2 cm	240.8 cm
14°	58.8 cm	242.2 cm	240.0 cm
15°	62.8 cm	242.2 cm	238.9 cm

Expert D=300 cm:			
∠@	H1	TrL	DbP
5°	26.1 cm	292.7 cm	296.1 cm
6°	31.1 cm	292.7 cm	295.7 cm
7°	36.2 cm	292.7 cm	295.1 cm
8°	41.1 cm	292.7 cm	294.5 cm
9°	46.2 cm	292.7 cm	293.8 cm
10°	51.2 cm	292.7 cm	293.0 cm
11°	56.2 cm	292.7 cm	292.1 cm
12°	61.1 cm	292.7 cm	291.1 cm
13°	66.1 cm	292.7 cm	290.1 cm
14°	71.0 cm	292.7 cm	289.0 cm
15°	75.9 cm	292.7 cm	287.7 cm

Expert D=350 cm:			
∠@	H1	TrL	DbP
5°	30.5 cm	343.2 cm	346.4 cm
6°	36.4 cm	343.2 cm	345.9 cm
7°	42.3 cm	343.2 cm	345.2 cm
8°	48.2 cm	343.2 cm	344.5 cm
9°	53.2 cm	343.2 cm	343.8 cm
10°	60.0 cm	343.2 cm	342.7 cm
11°	65.8 cm	343.2 cm	341.7 cm
12°	71.6 cm	343.2 cm	340.5 cm
13°	77.5 cm	343.2 cm	339.3 cm
14°	83.3 cm	343.2 cm	338.0 cm
15°	89.0 cm	343.2 cm	336.5 cm

Expert D=400 cm:			
∠@	H1	TrL	DbP
5°	34.9 cm	393.7 cm	396.7 cm
6°	41.7 cm	393.7 cm	396.1 cm
7°	48.5 cm	393.7 cm	395.3 cm
8°	55.2 cm	393.7 cm	394.5 cm
9°	61.1 cm	393.7 cm	393.7 cm
10°	68.7 cm	393.7 cm	392.4 cm
11°	75.4 cm	393.7 cm	391.2 cm
12°	82.1 cm	393.7 cm	389.9 cm
13°	88.8 cm	393.7 cm	388.5 cm
14°	95.5 cm	393.7 cm	387.0 cm
15°	102.0 cm	393.7 cm	385.2 cm

Expert D=450 cm:			
∠@	H1	TrL	DbP
5°	39.3 cm	444.2 cm	447.0 cm
6°	47.0 cm	444.2 cm	446.3 cm
7°	54.6 cm	444.2 cm	445.4 cm
8°	62.2 cm	444.2 cm	444.5 cm
9°	69.0 cm	444.2 cm	443.6 cm
10°	77.5 cm	444.2 cm	442.2 cm
11°	85.1 cm	444.2 cm	440.8 cm
12°	92.6 cm	444.2 cm	439.3 cm
13°	100.2 cm	444.2 cm	437.7 cm
14°	107.7 cm	444.2 cm	436.0 cm
15°	115.1 cm	444.2 cm	434.0 cm

Expert D=500 cm:			
∠@	H1	TrL	DbP
5°	43.7 cm	494.7 cm	497.4 cm
6°	52.2 cm	494.7 cm	496.6 cm
7°	60.8 cm	494.7 cm	495.6 cm
8°	69.3 cm	494.7 cm	494.5 cm
9°	76.9 cm	494.7 cm	493.3 cm
10°	86.3 cm	494.7 cm	491.9 cm
11°	94.7 cm	494.7 cm	490.4 cm
12°	103.1 cm	494.7 cm	488.7 cm
13°	111.5 cm	494.7 cm	486.9 cm
14°	119.9 cm	494.7 cm	485.0 cm
15°	128.2 cm	494.7 cm	482.8 cm