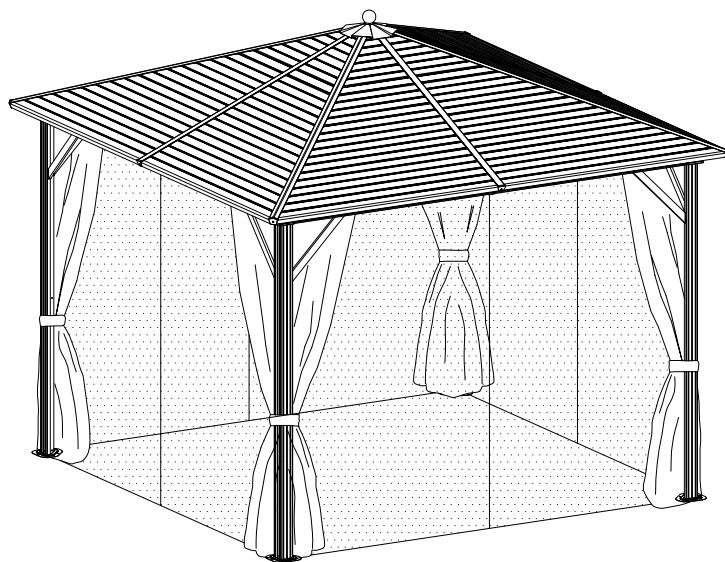


# CosyLifeStyle<sup>®</sup>

Manual  
for  
Gazebo San Luis  
3x3m

**3 x 3 M**





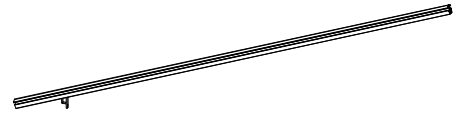
(A) 4x



(B) 4x



(B1) 4x



(D) 4x



(E) 4x



(F1) 4x



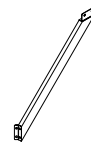
(F2) 4x



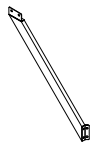
(G1) 4x



(G2) 4x



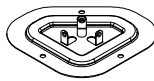
(H1) 4x



(H2) 4x



(H) 4x



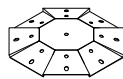
(J) 4x



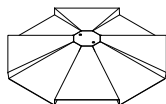
(K) 4x



(K1) 4x



(L) 1x



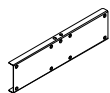
(M) 1x



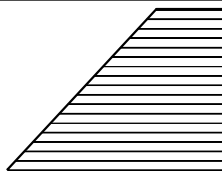
(N) 4x



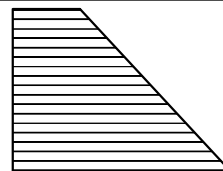
(N1) 4x



(P) 4x



(Q1) 4x



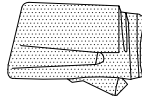
(Q2) 4x



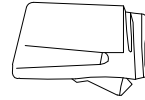
(R1) 4x



R2 4x



S 4x



T 4x



U 96x



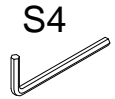
V 4x



Y 16x



Z 1x



1x



M6x15

1 89x



M6x10

2 32x



M5x12

3 48x



ST4.8x12

4 24x

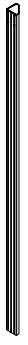


5 1x

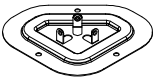


8 12x

<1>



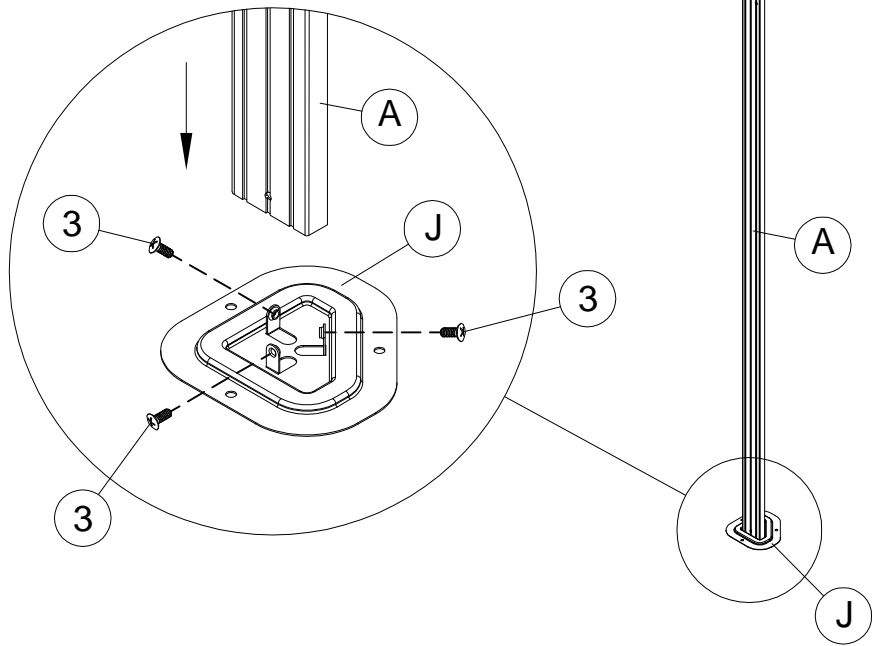
A 4x



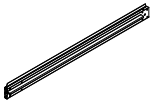
J 4x



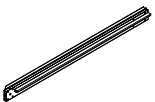
3 12x M5x12



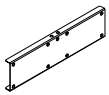
<2>



B 4x



B1 4x

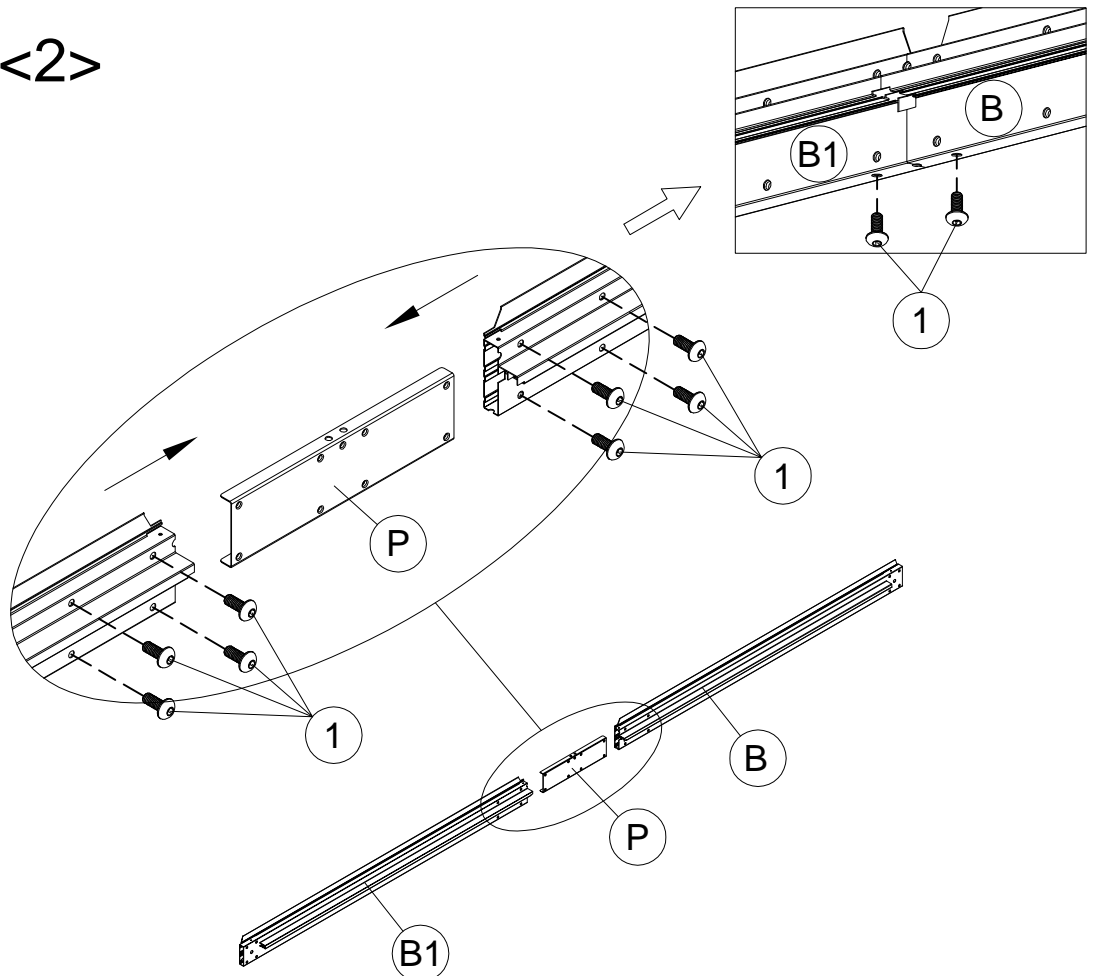


P 4x



1 40x M6x15

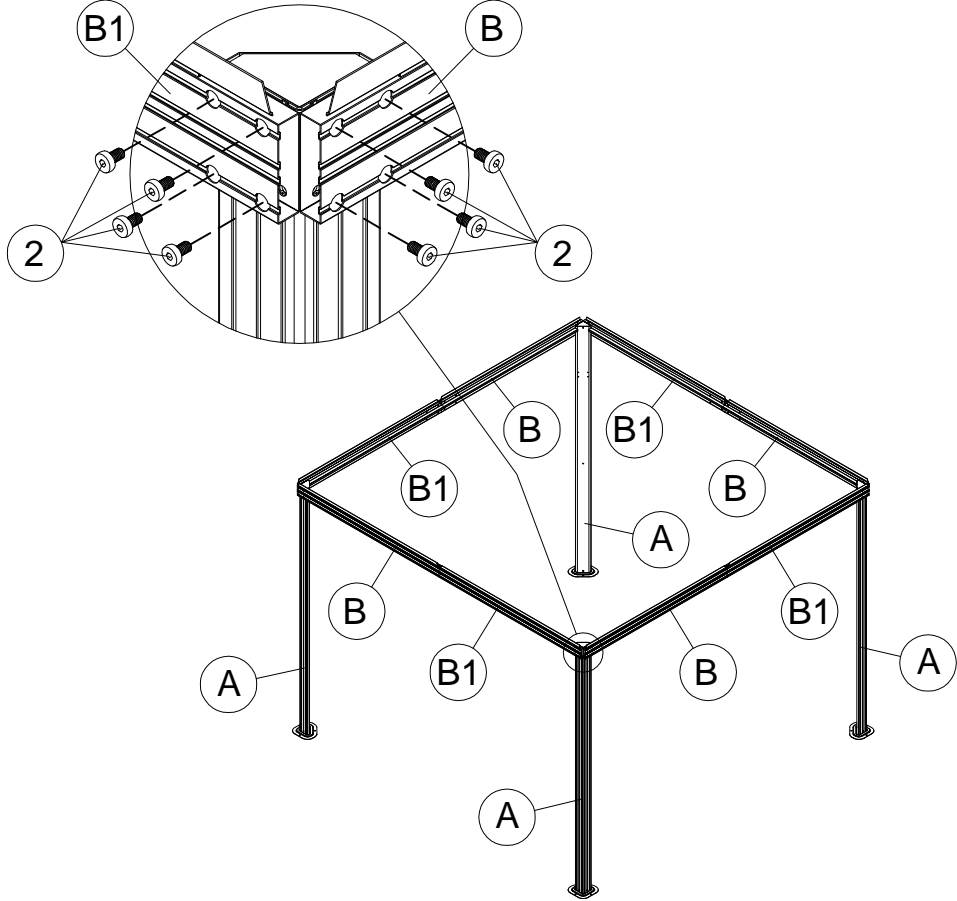
4



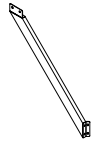


2 M6x10  
32x

<3>



H1 4x

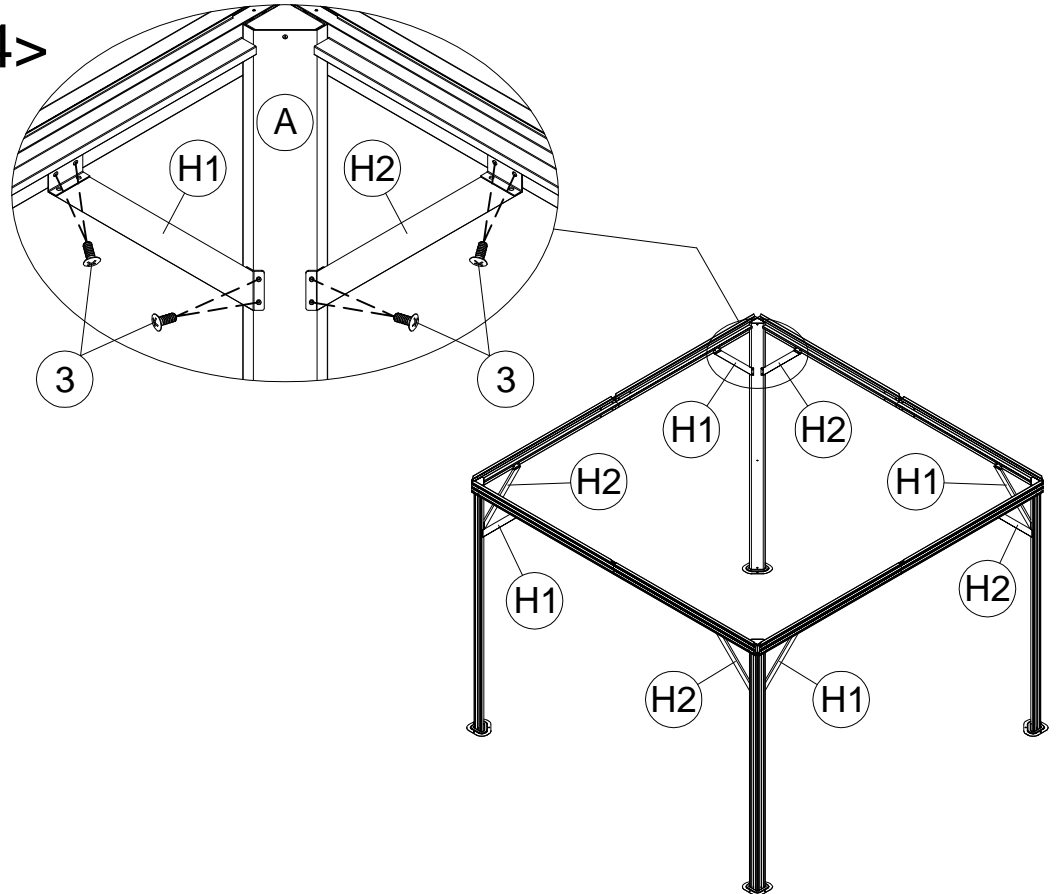


H2 4x



3 M5x12  
32x

<4>



5

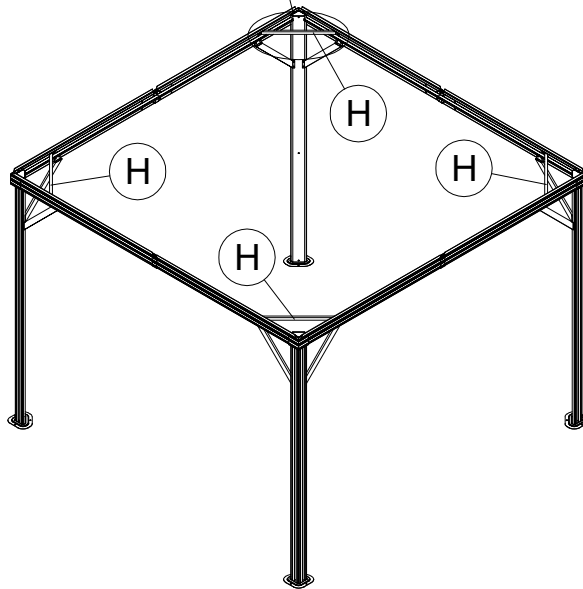
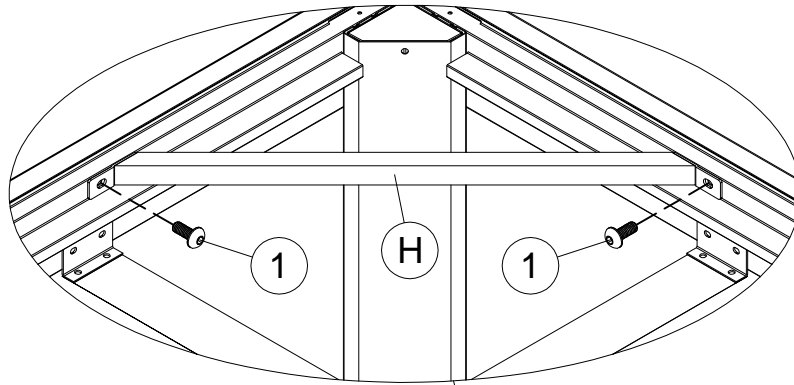


<5>

H 4x



1 8x M6x15



6



(K) 4x



(K1) 4x



(U) 96x



(V) 4x

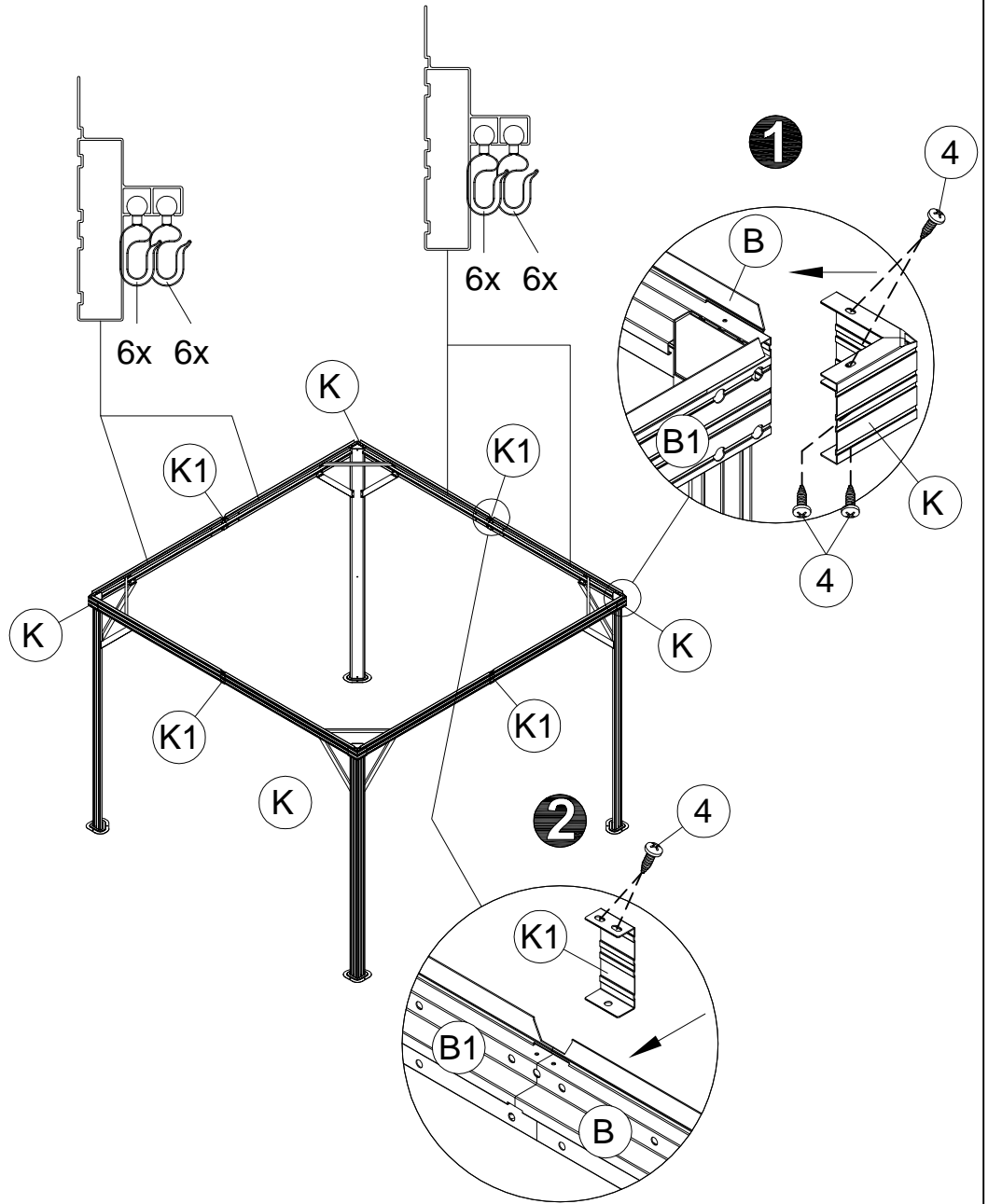


(3) 4x M5x12

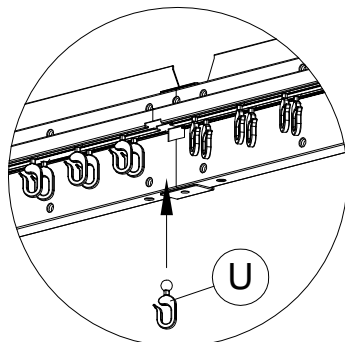


(4) 24x ST4.8x12

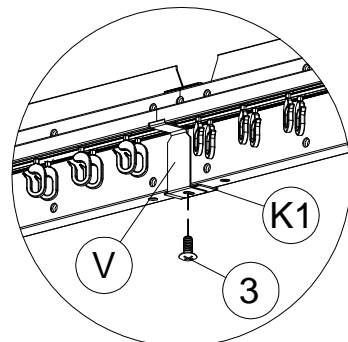
<6>



3



4



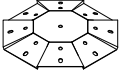
7





<7>

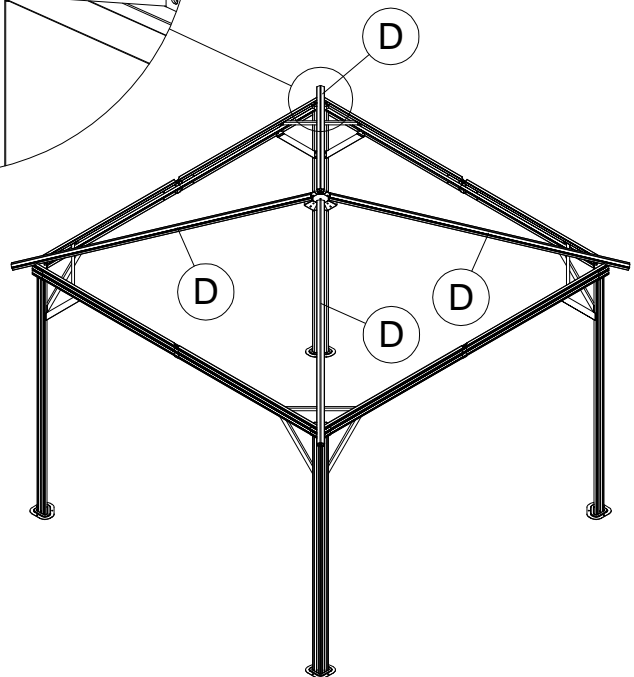
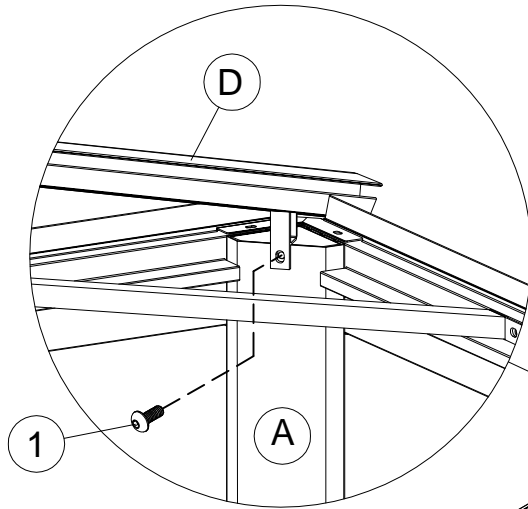
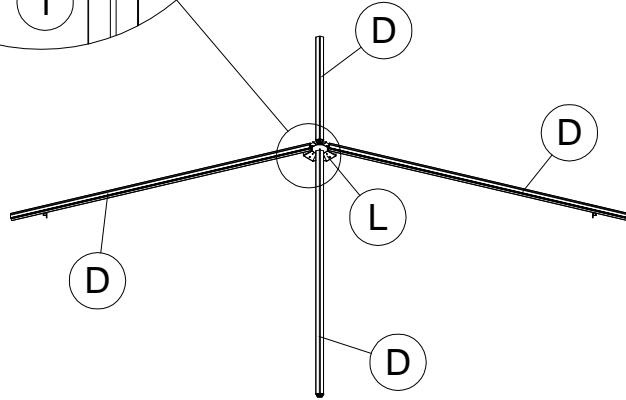
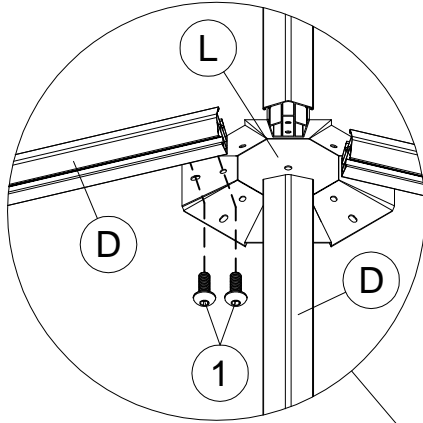
(D) 4x



(L) 1x



(1) 12x M6x15



8

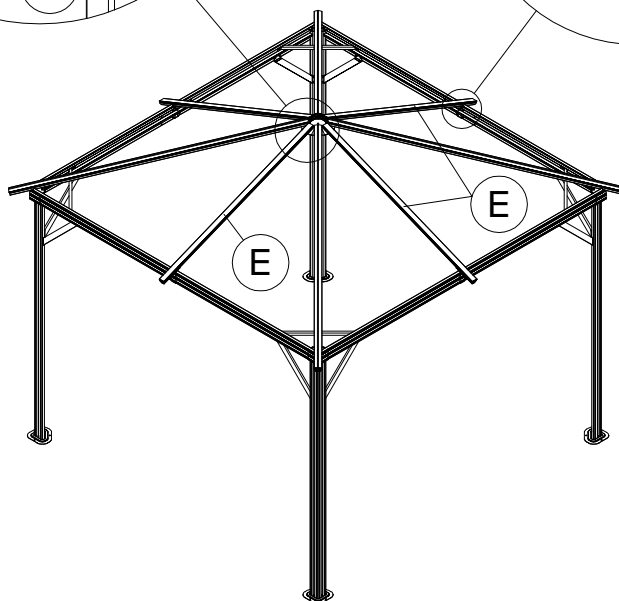
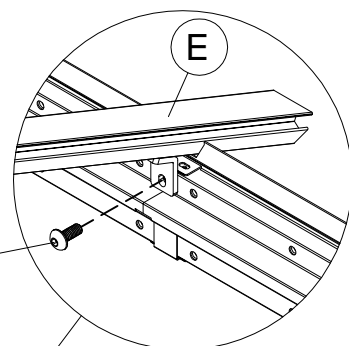
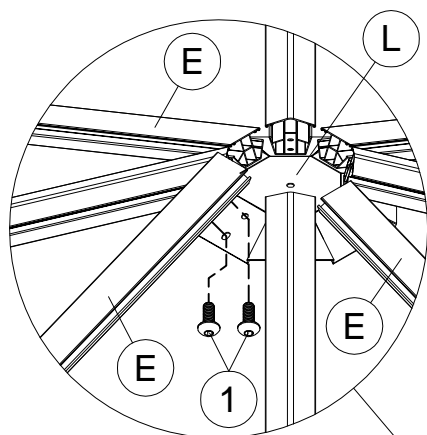


<8>

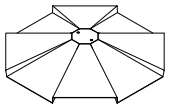
E 4x



1 12x M6x15



9



<9>

M 1x



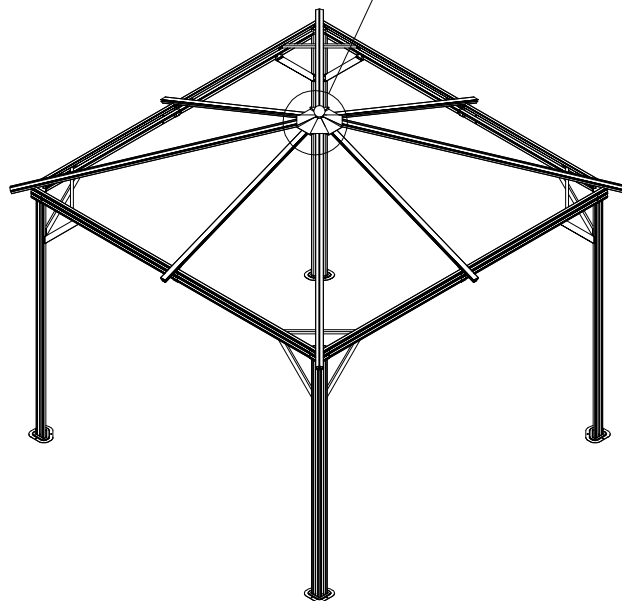
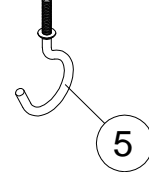
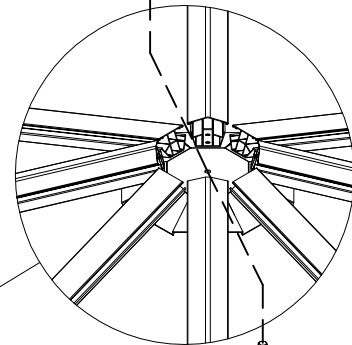
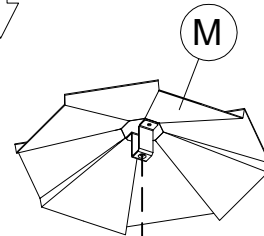
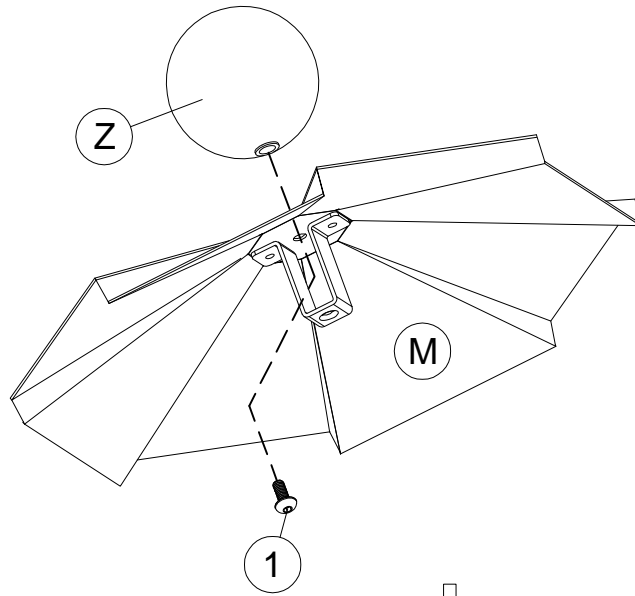
Z 1x



1 1x M6x15



5 1x



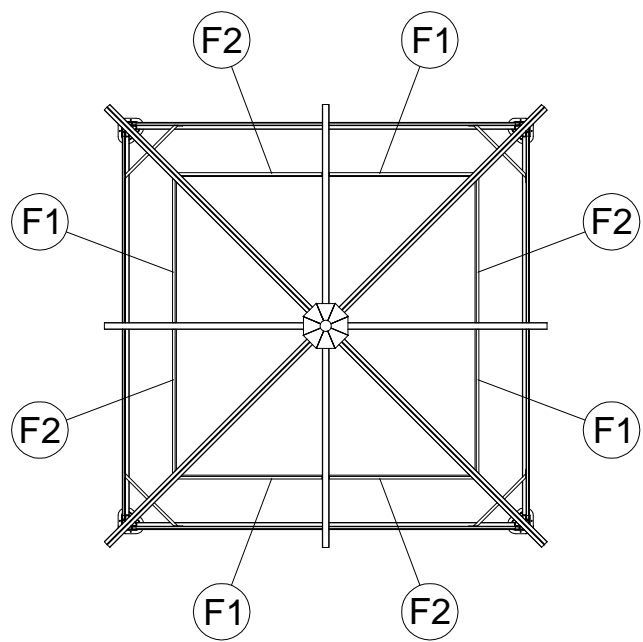
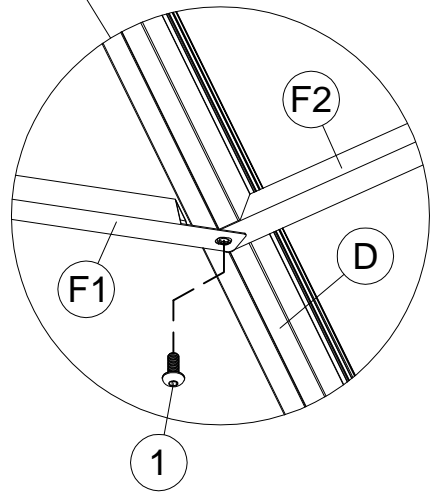
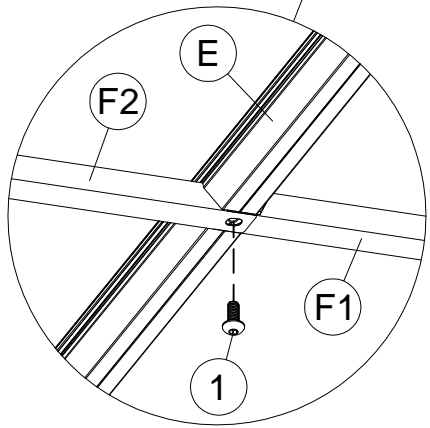
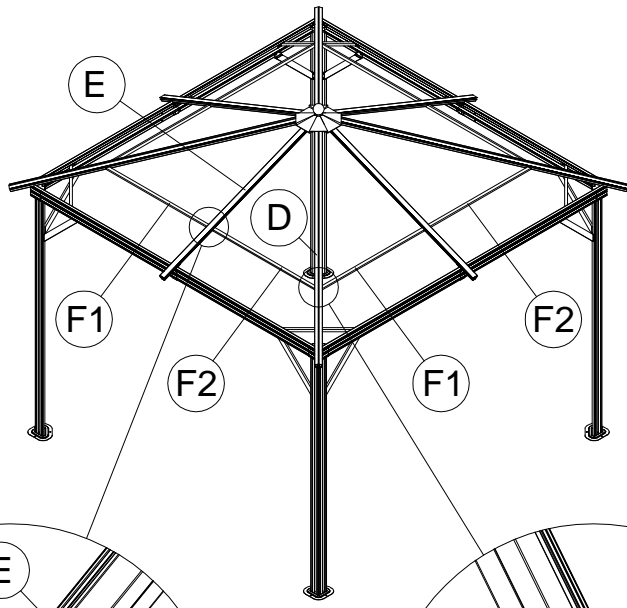
10

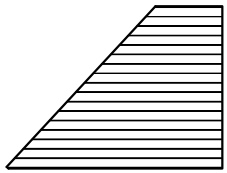
<10>

F1 4x

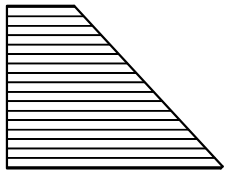
F2 4x

1 8x M6x15

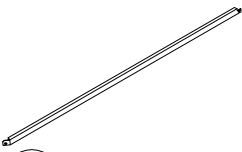




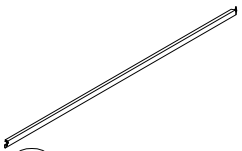
Q1 4x



Q2 4x



G1 4x



G2 4x



N 4x



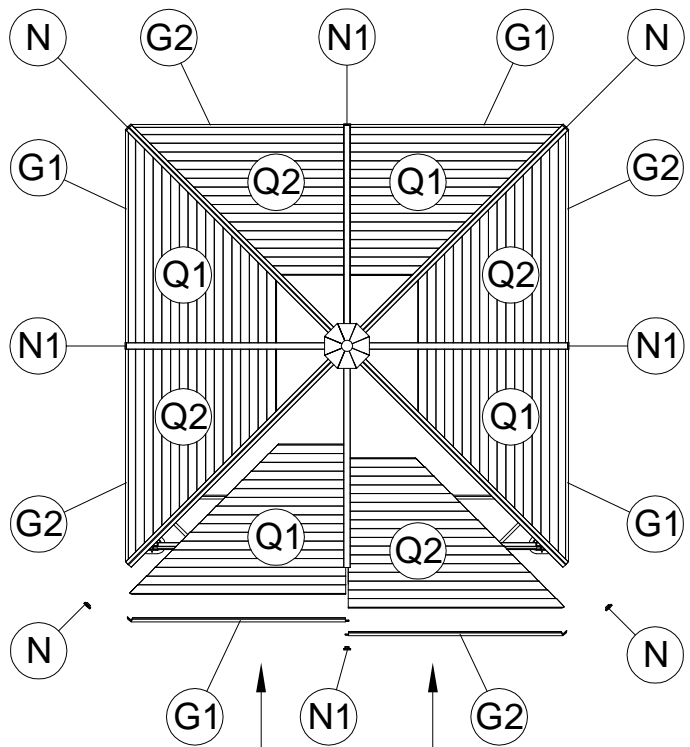
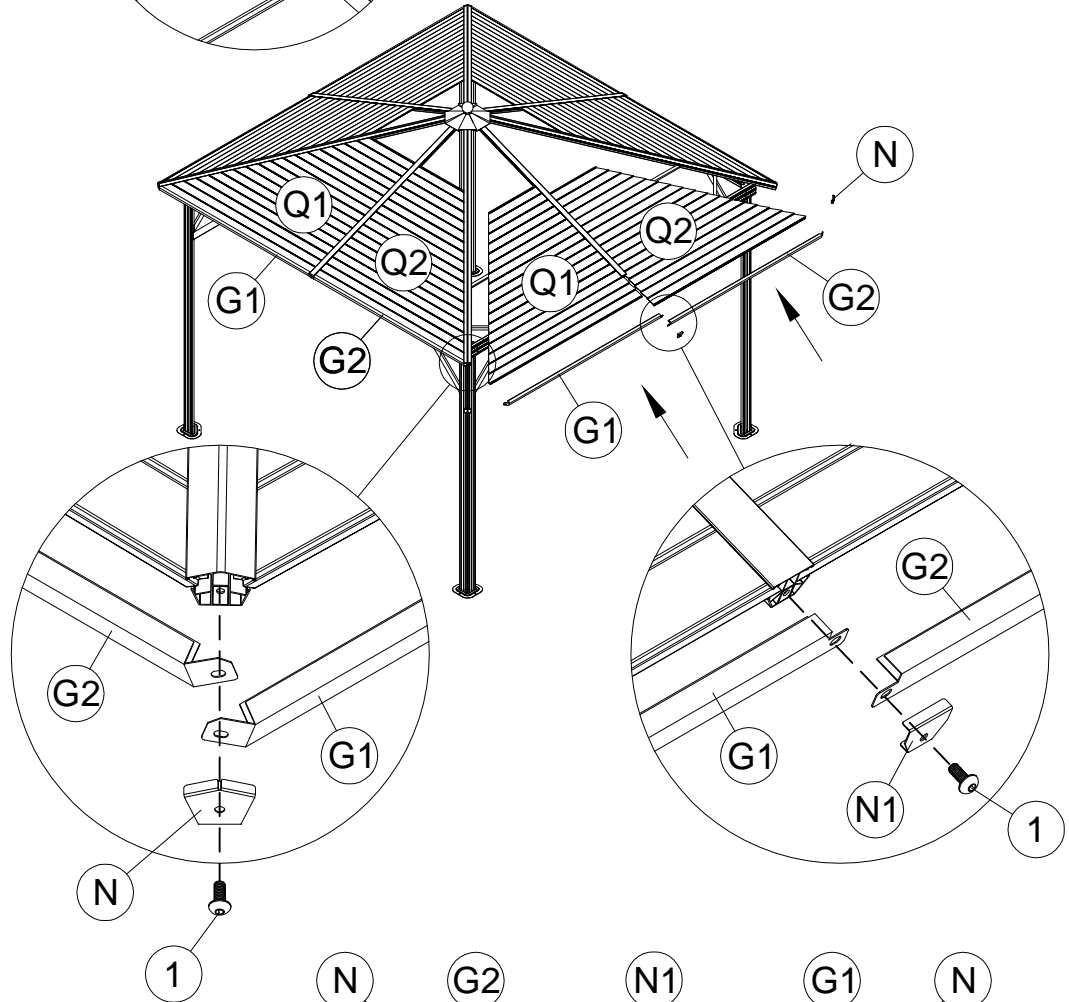
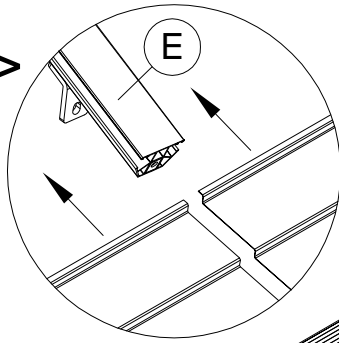
N1 4x



1 8x M6x15

12

<11>



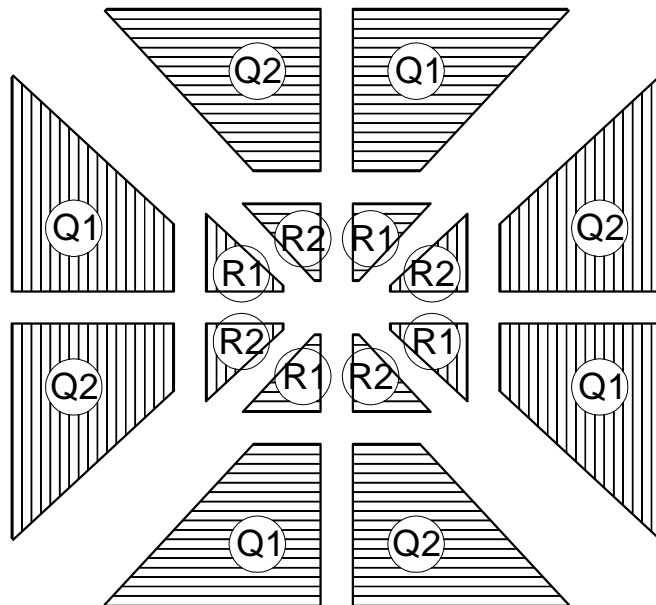
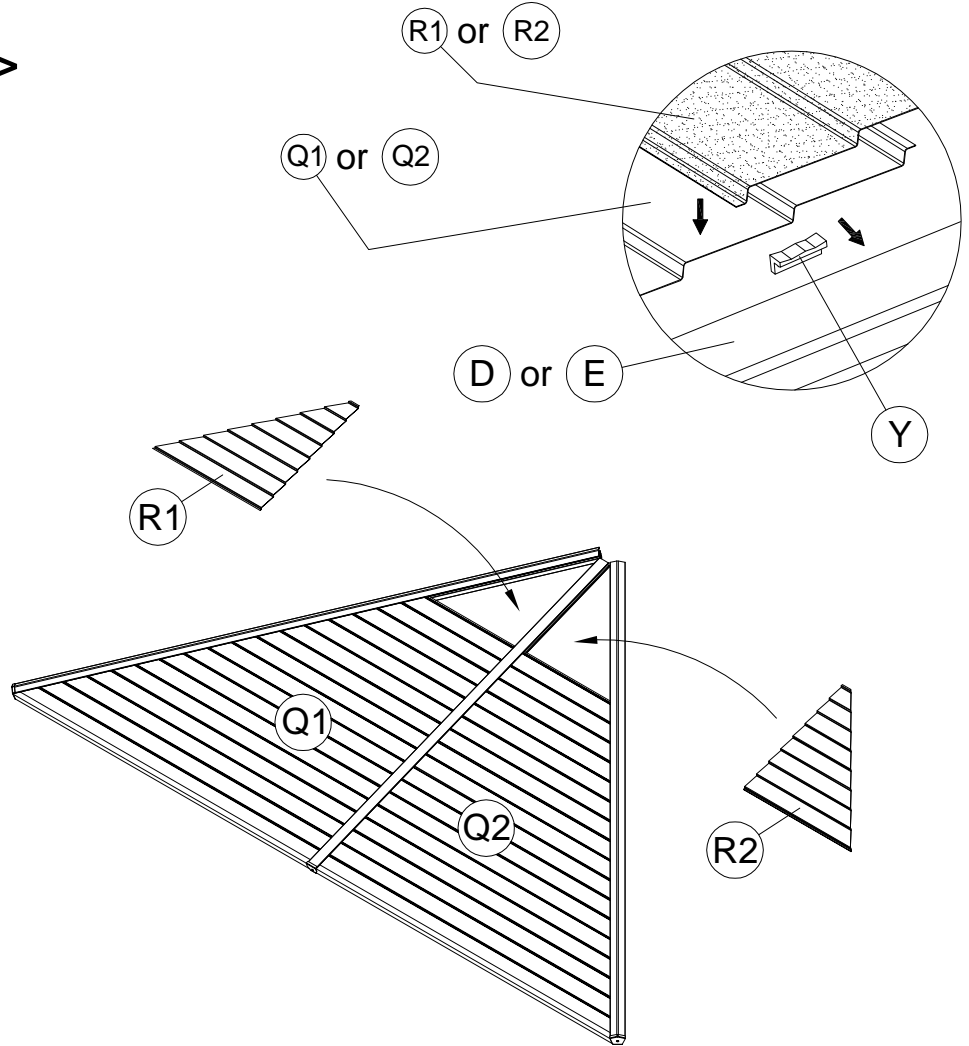


<12>

R1 4x



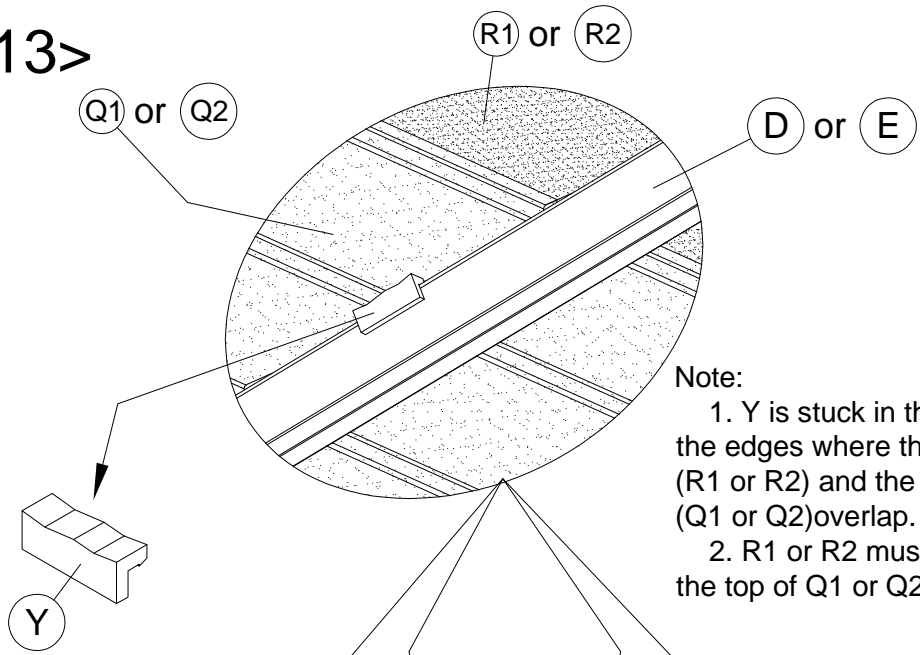
R2 4x





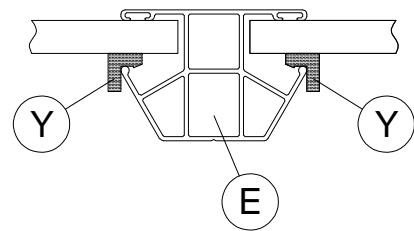
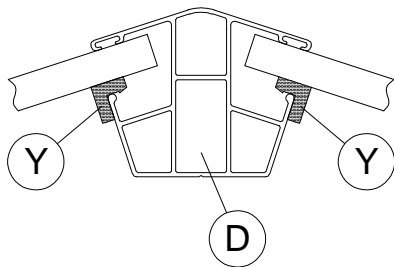
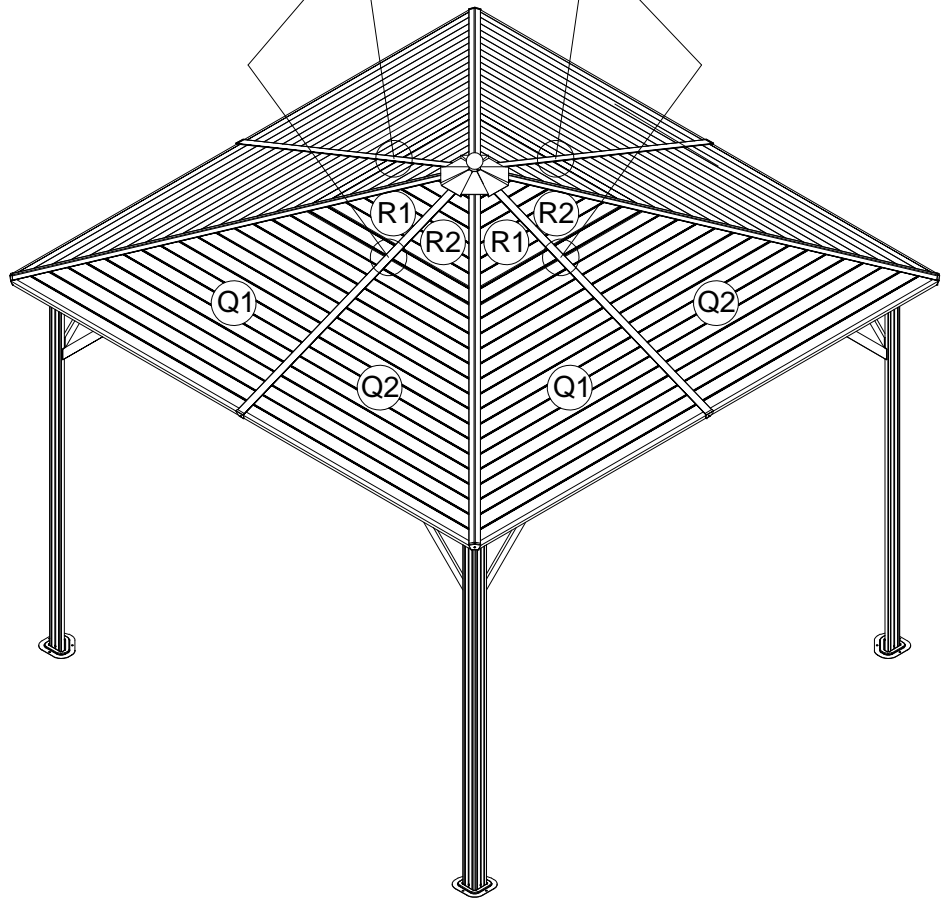
Y 16x

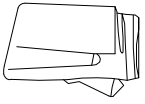
<13>



Note:

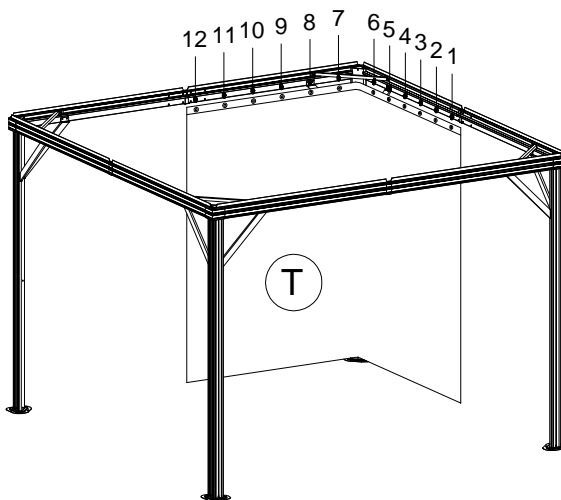
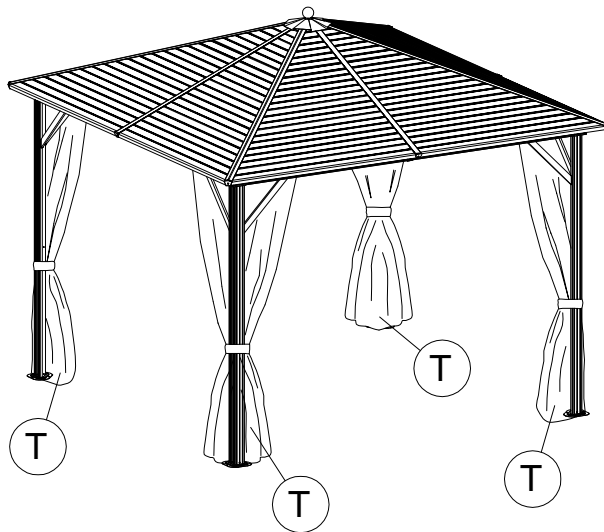
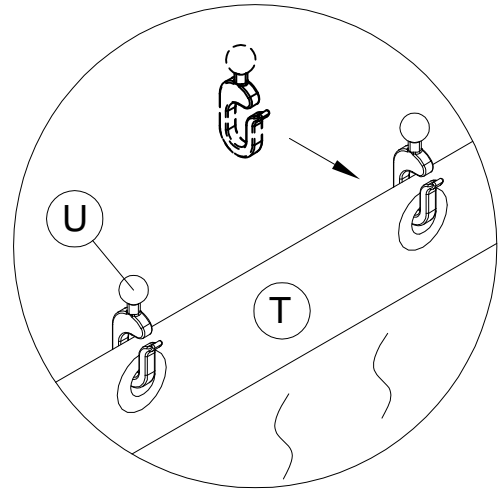
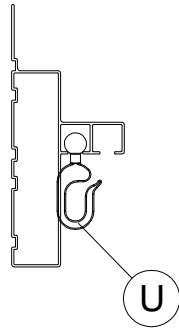
1. Y is stuck in the position of the edges where the small piece (R1 or R2) and the large piece (Q1 or Q2) overlap.
2. R1 or R2 must pile up on the top of Q1 or Q2.





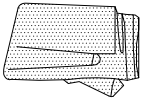
<14>

T 4x



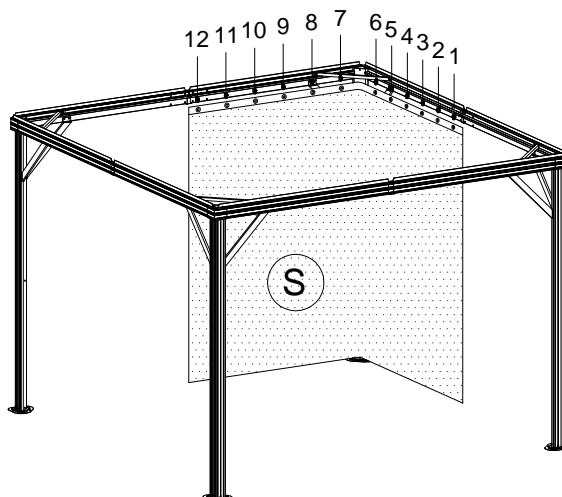
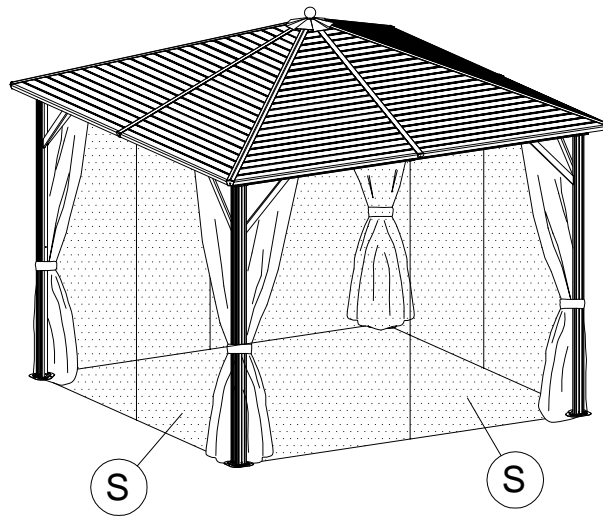
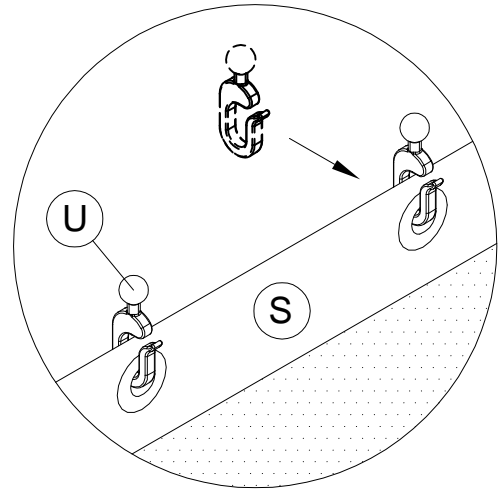
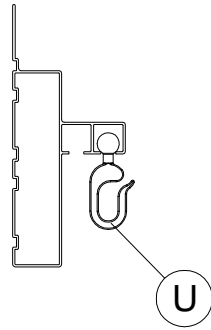
15





<15>

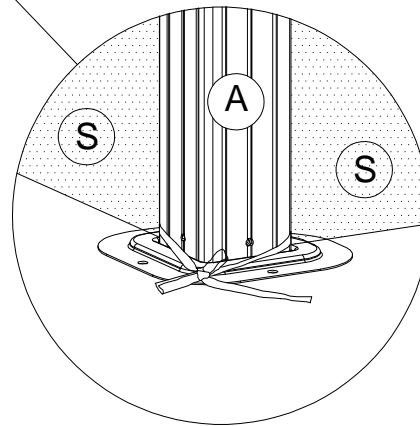
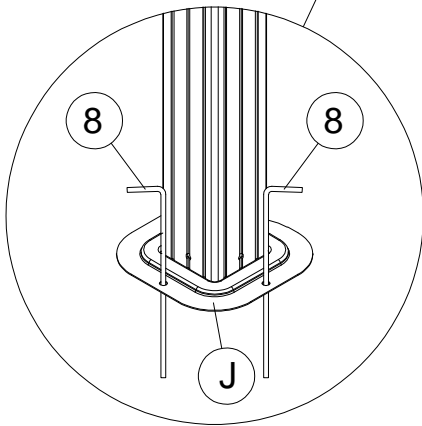
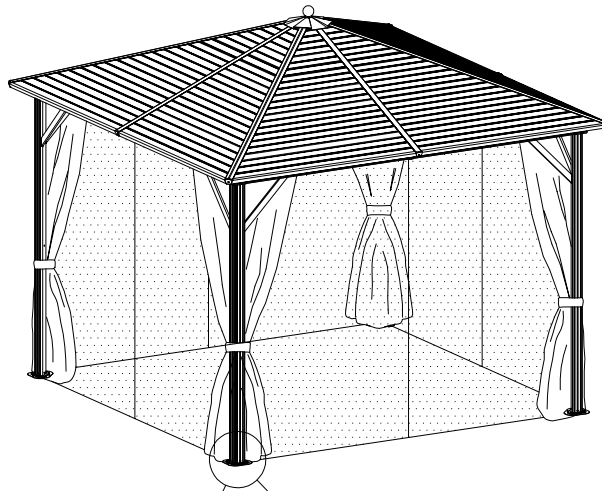
S 4x





<16>

8 12x



## Contact information

Austria



Belgium



Croatia



Denmark



Estonia



Finland



France



Germany



Ireland



Italy



Latvia



Lithuania



Nederland



Norway



Poland



Portugal



Spain



Sweden



Switzerland



UK

