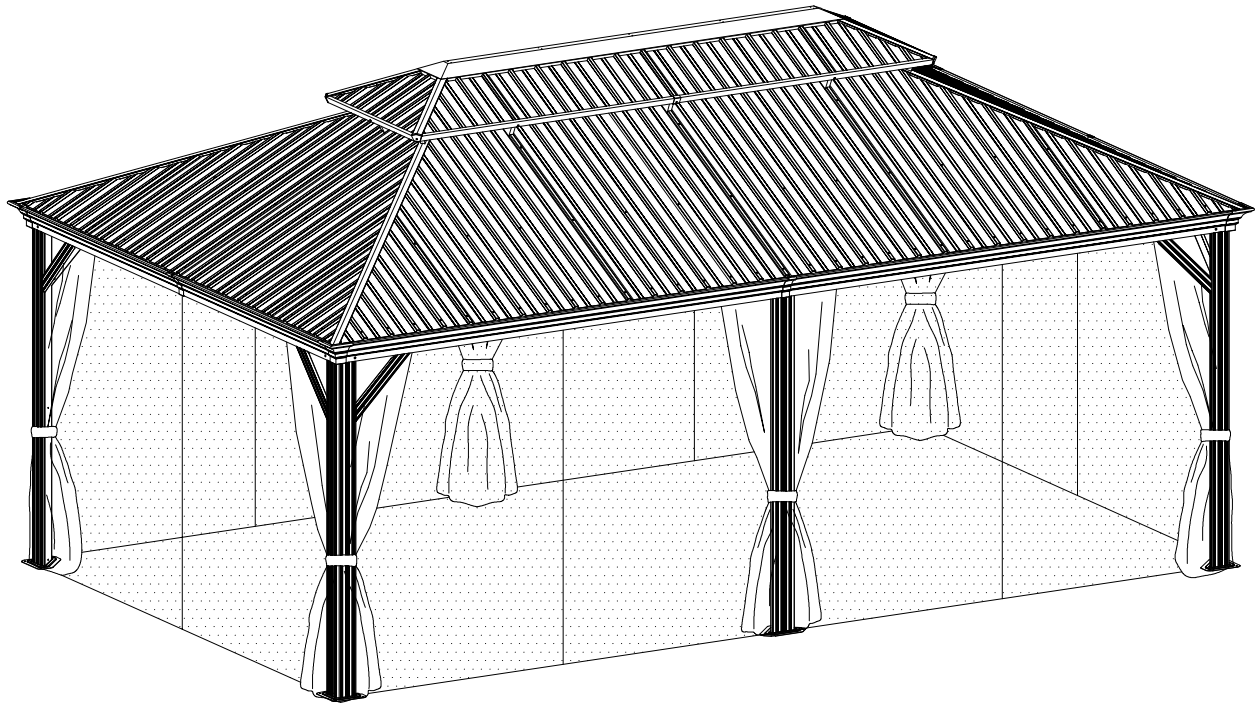


CosyLifeStyle®

Manual
for
Gazebo Santa Fe
3,65x6m

3.65 x 6 M

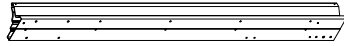




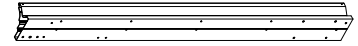
A 4x



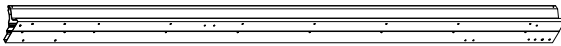
A1 2x



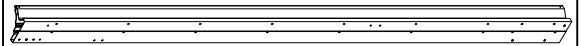
B 2x



B1 2x



B2 2x



B3 2x



C 2x



C1 2x



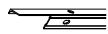
C2 2x



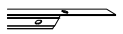
C3 2x



D 2x



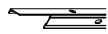
D1 2x



D2 2x



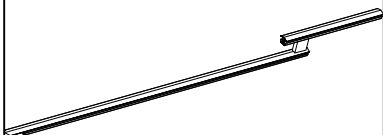
D3 2x



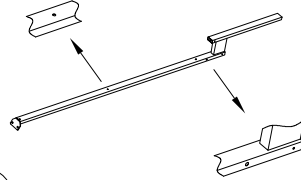
D4 2x



D5 2x







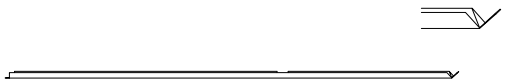





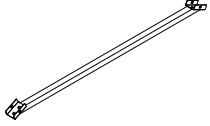
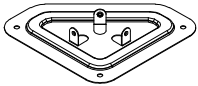
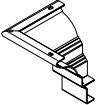
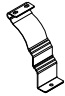
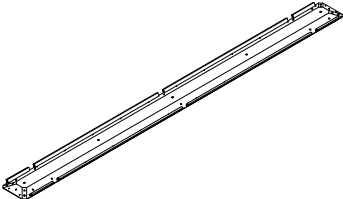
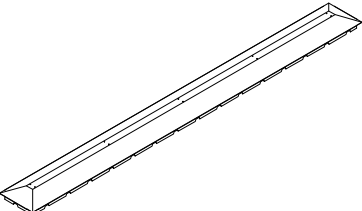

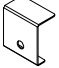
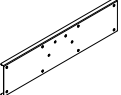
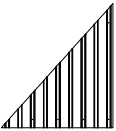
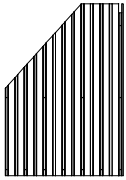
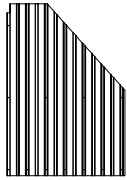
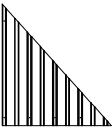
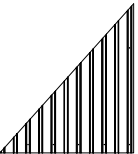
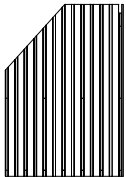
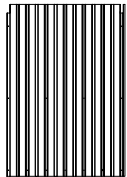
E 4x

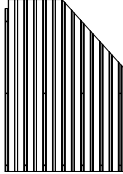
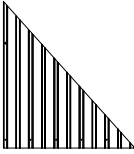
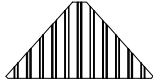
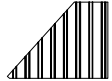
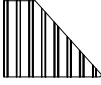

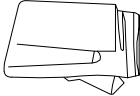
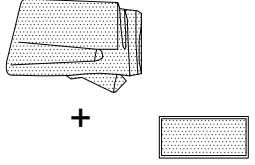

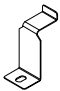
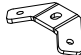
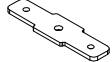

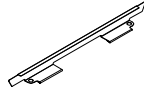



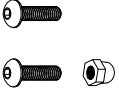








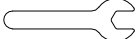


E1 8x



F 4x

 <p>F1 4x</p>	 <p>F2 4x</p>	 <p>G1 2x</p>	
 <p>G2 2x</p>	 <p>Q 2x</p>		
 <p>G3 2x</p>	 <p>G4 2x</p>	 <p>R 2x</p>	
 <p>H 4x</p>	 <p>H1 4x</p>	 <p>H2 3x</p>	 <p>J 6x</p>
 <p>K 4x</p>	 <p>K1 4x</p>	 <p>L 1x</p>	
 <p>M 1x</p>	 <p>N 8x</p>	 <p>N1 2x</p>	
 <p>P 4x</p>	 <p>Q1 2x</p>	 <p>Q2 2x</p>	 <p>Q3 2x</p>
 <p>Q4 2x</p>	 <p>R1 2x</p>	 <p>R2 2x</p>	 <p>R3 4x</p>

			
R4 2x	R5 2x	S 2x	S1 2x
			
S2 2x	S3 4x	T 4x + 2x	T1 4x + 2x + 1x
			
U 152x	V 2x	W 4x	W1 8x
			
Y 152x	Z 76x	Z1 12x	18x
			
M6x15 1 307x	M6x23 16x + 96x	M5x12 3 4x	ST 4.8x12 4 24x
			
5 3x	M6x42 6 8x	M6x47 7 32x	8 8x
			
M6x50 9 6x			

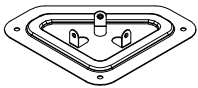
<1>



A 4x



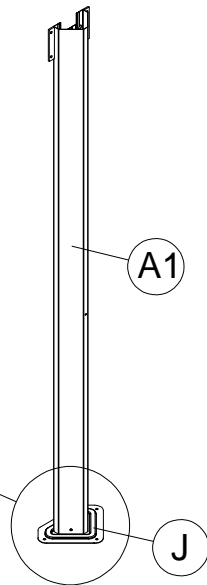
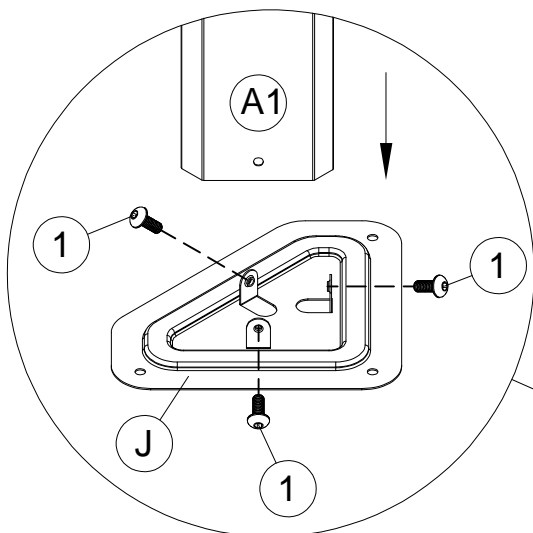
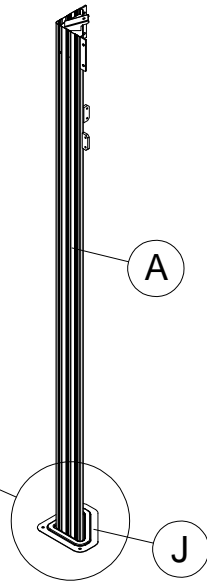
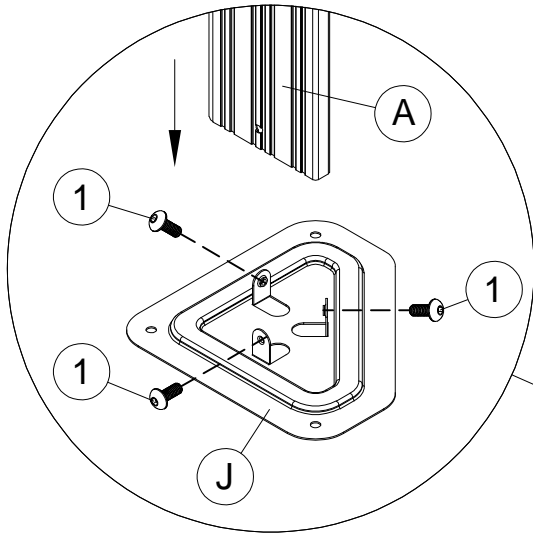
A1 2x

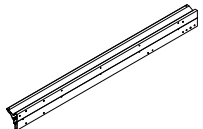
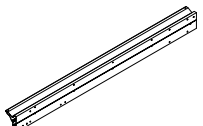
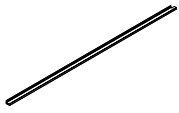
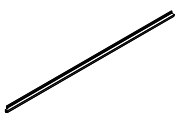


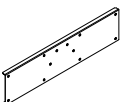



J 6x

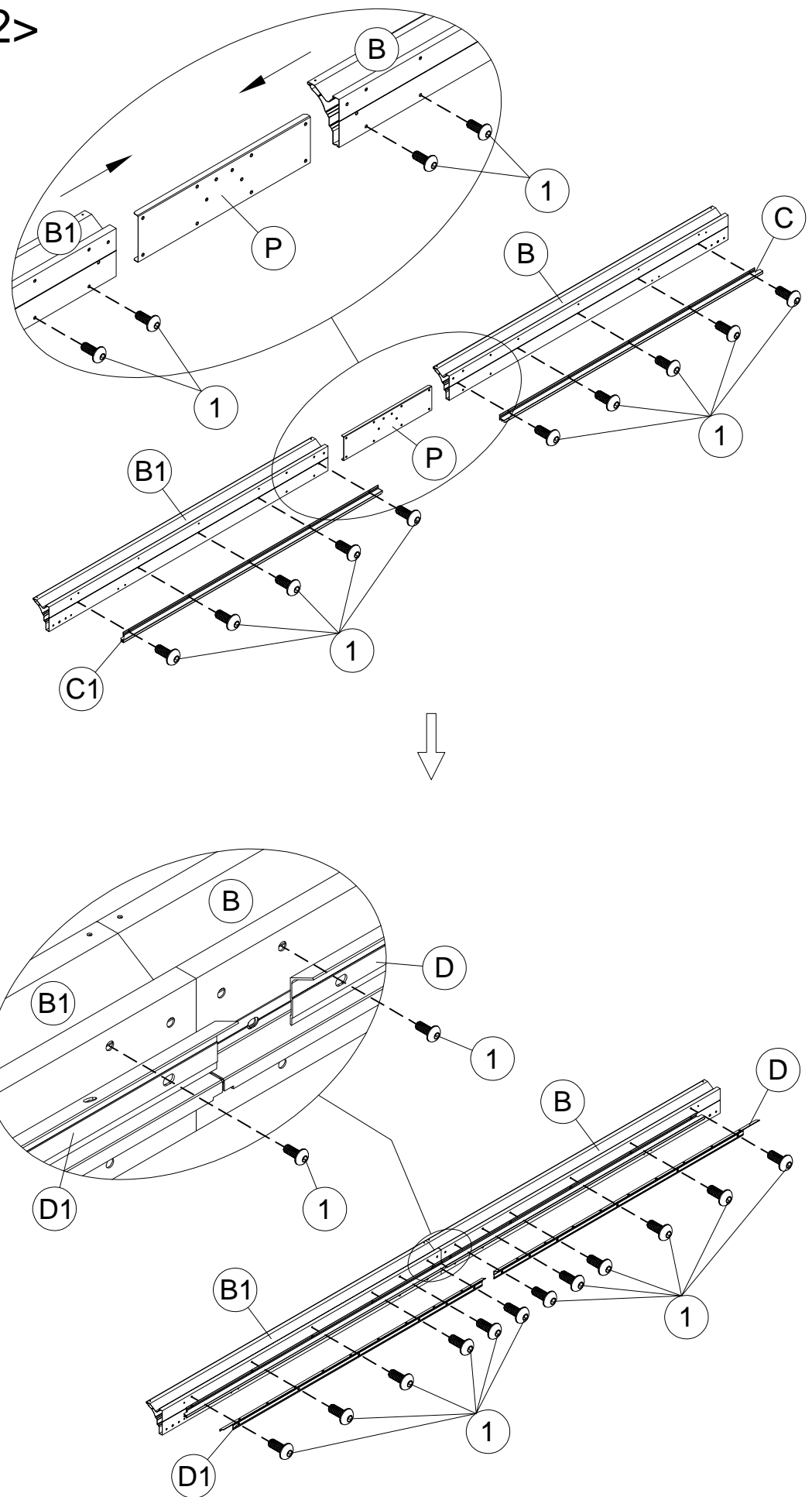


1 18x M6x15

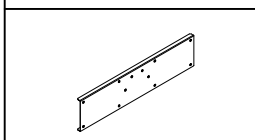
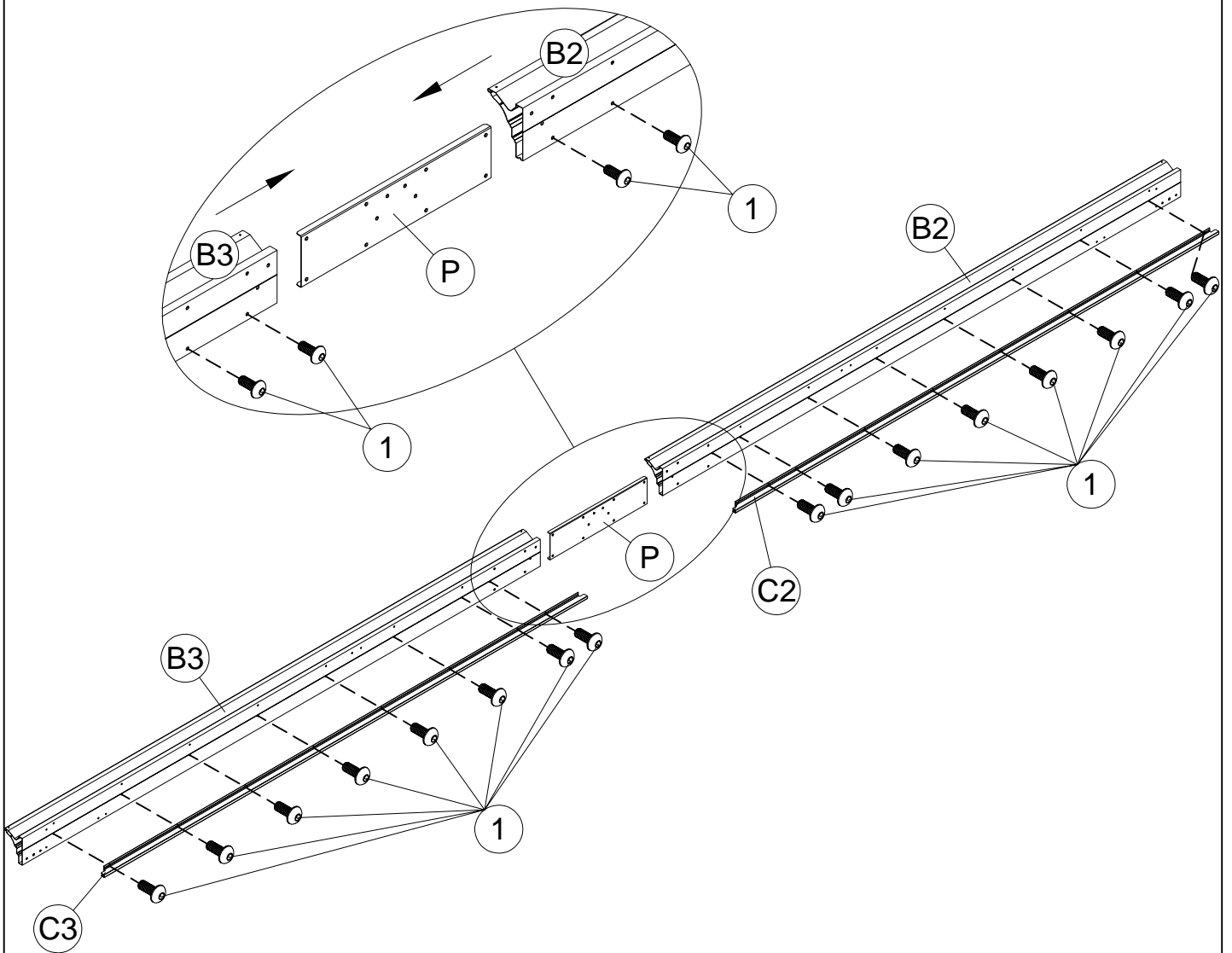


-  (B) 2x
-  (B1) 2x
-  (C) 2x
-  (C1) 2x
-  (D) 2x
-  (D1) 2x
-  (P) 2x
-  (1) 52x M6x15
- 6**

<2>



<3>



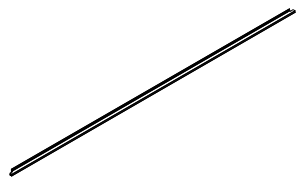
P 2x



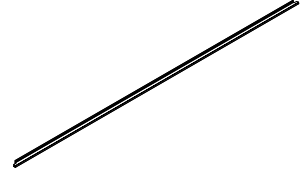
1 40x M6x15

7

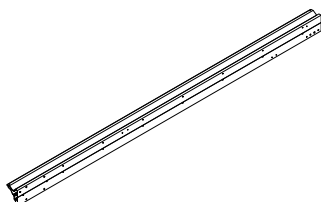
C2 2x



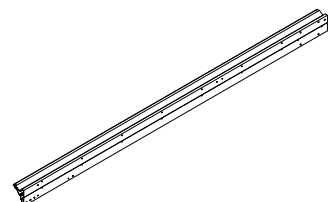
C3 2x



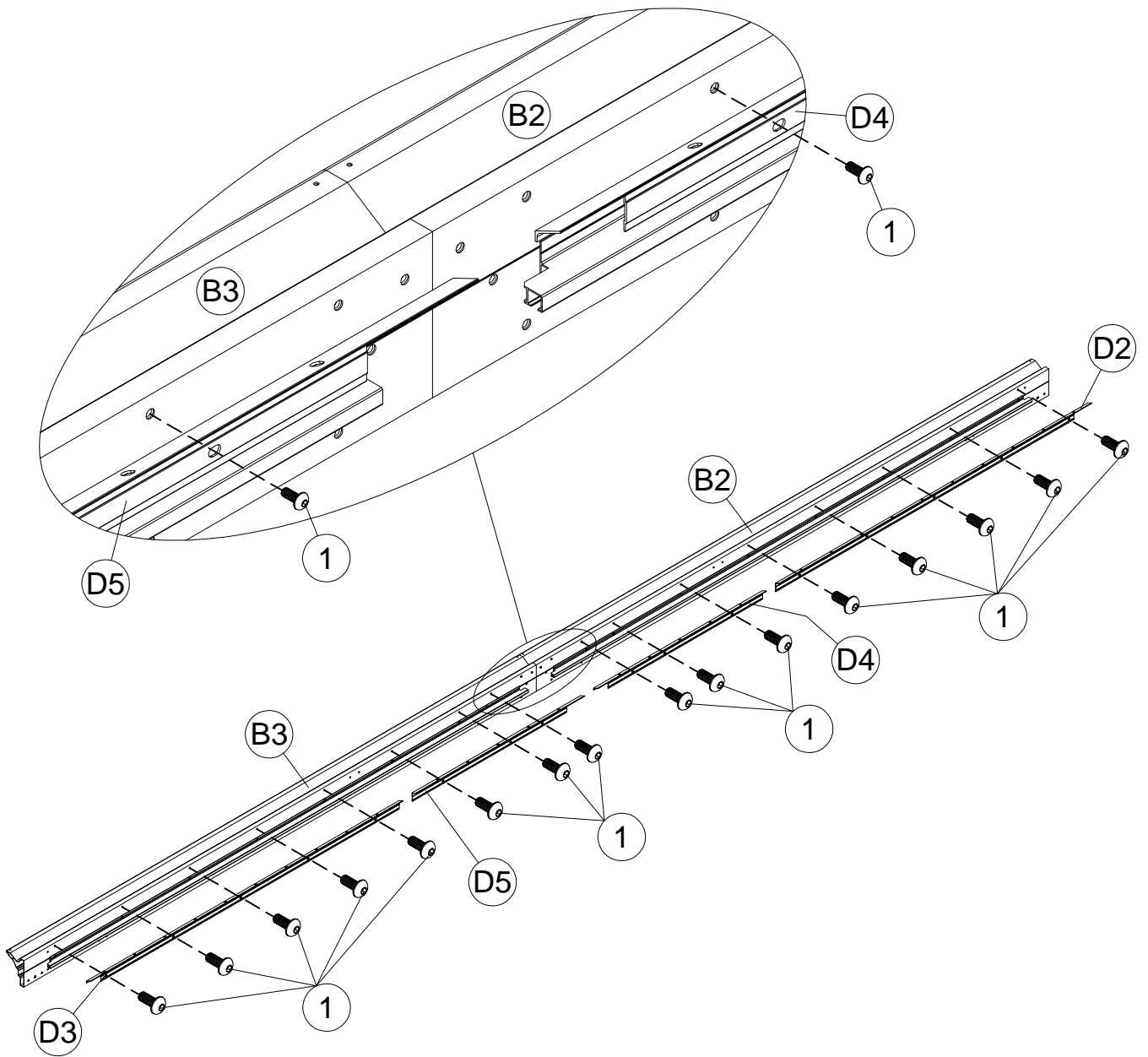
B2 2x








B3 2x



<4>



 ① 32 M6x15	 D4 2x	 D5 2x
8	 D2 2x	 D3 2x

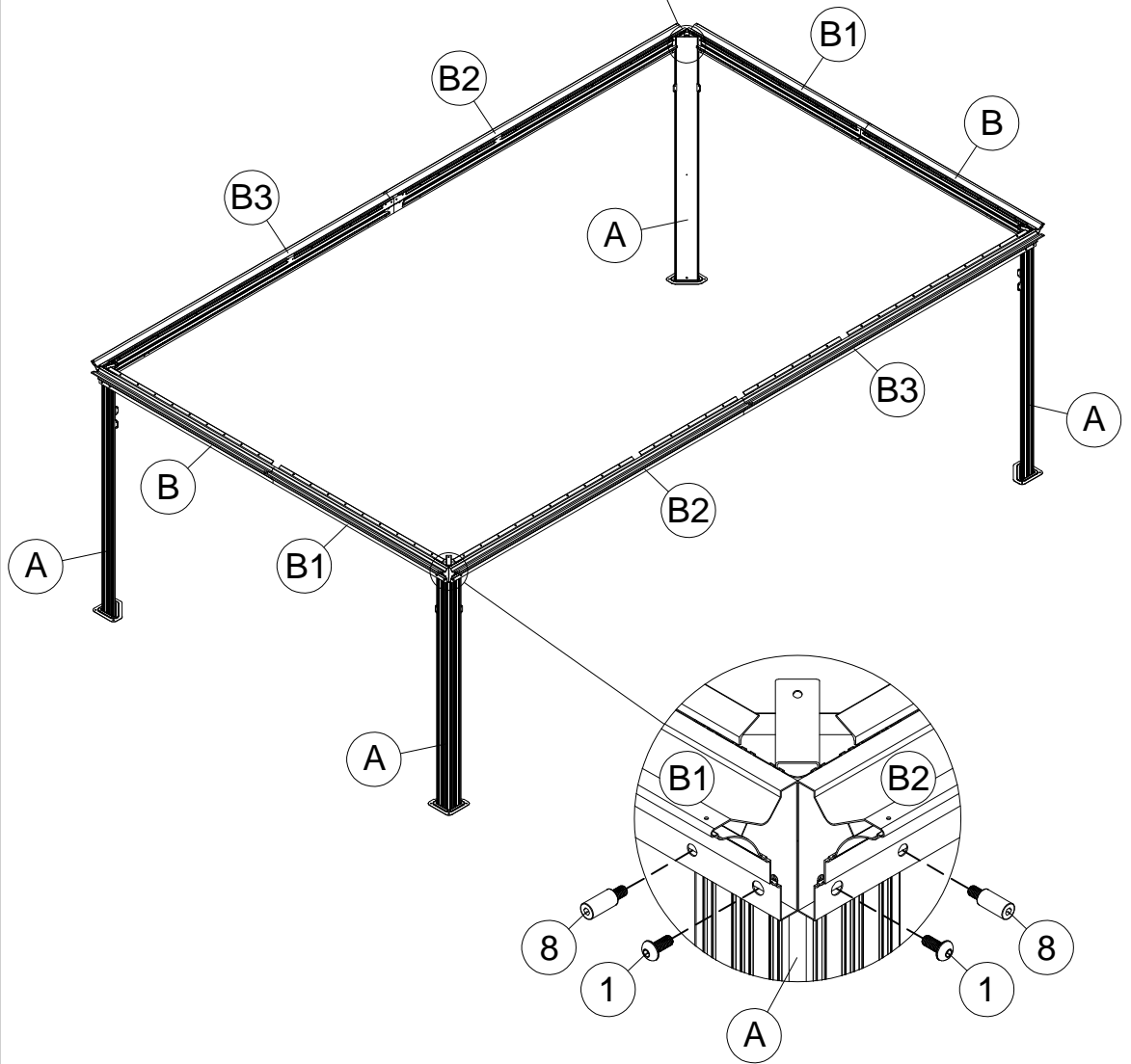
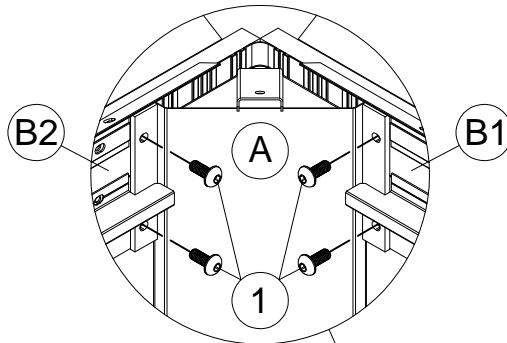


<5>

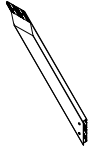
1 M6x15
24x



8 8x



9



(H) 4x

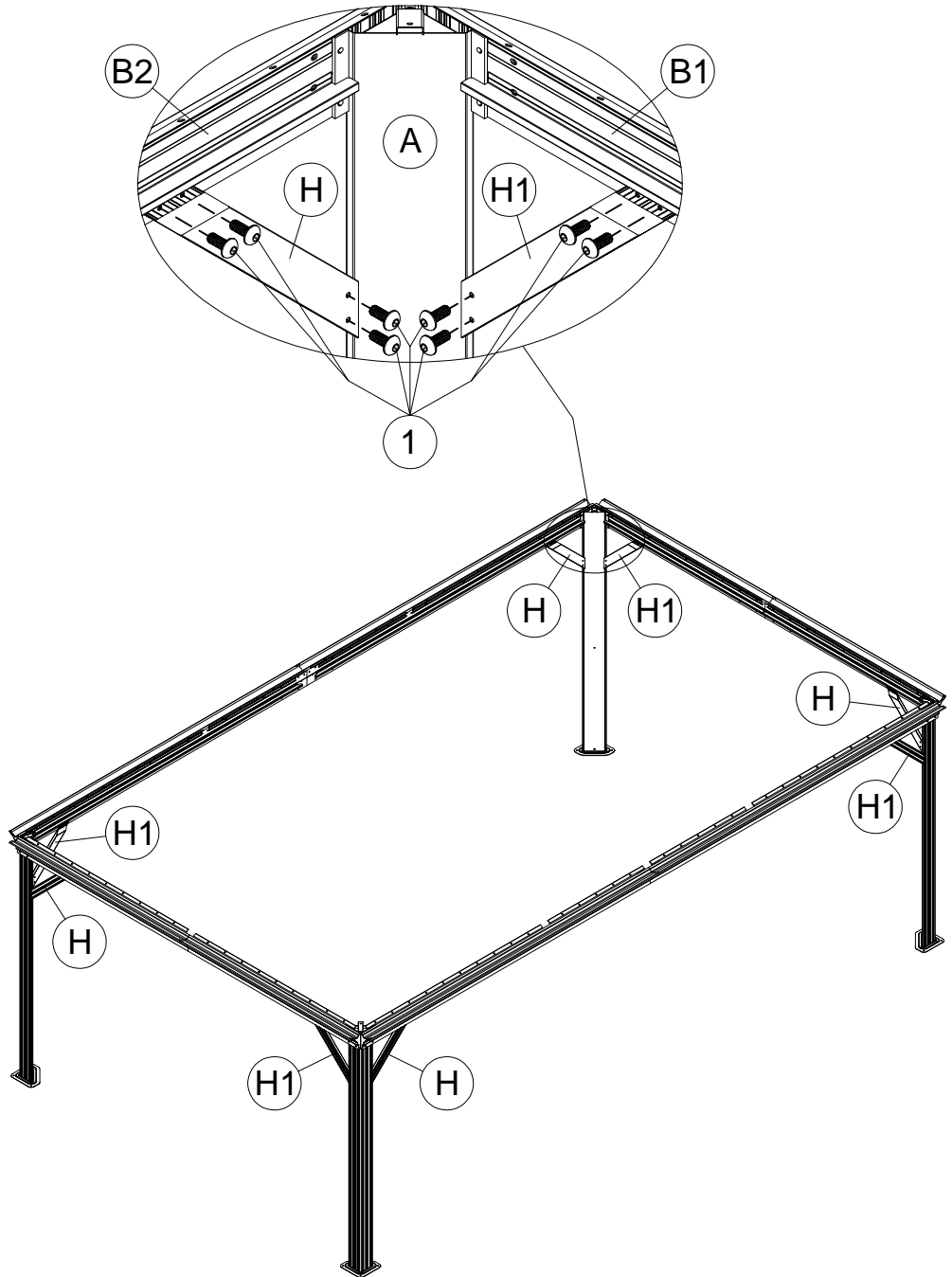


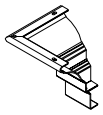
(H1) 4x



(1) 32x M6x15

<6>





(K) 4x



(K1) 4x



(U) 152x



(V) 2x

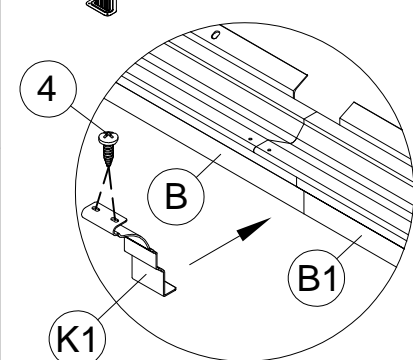
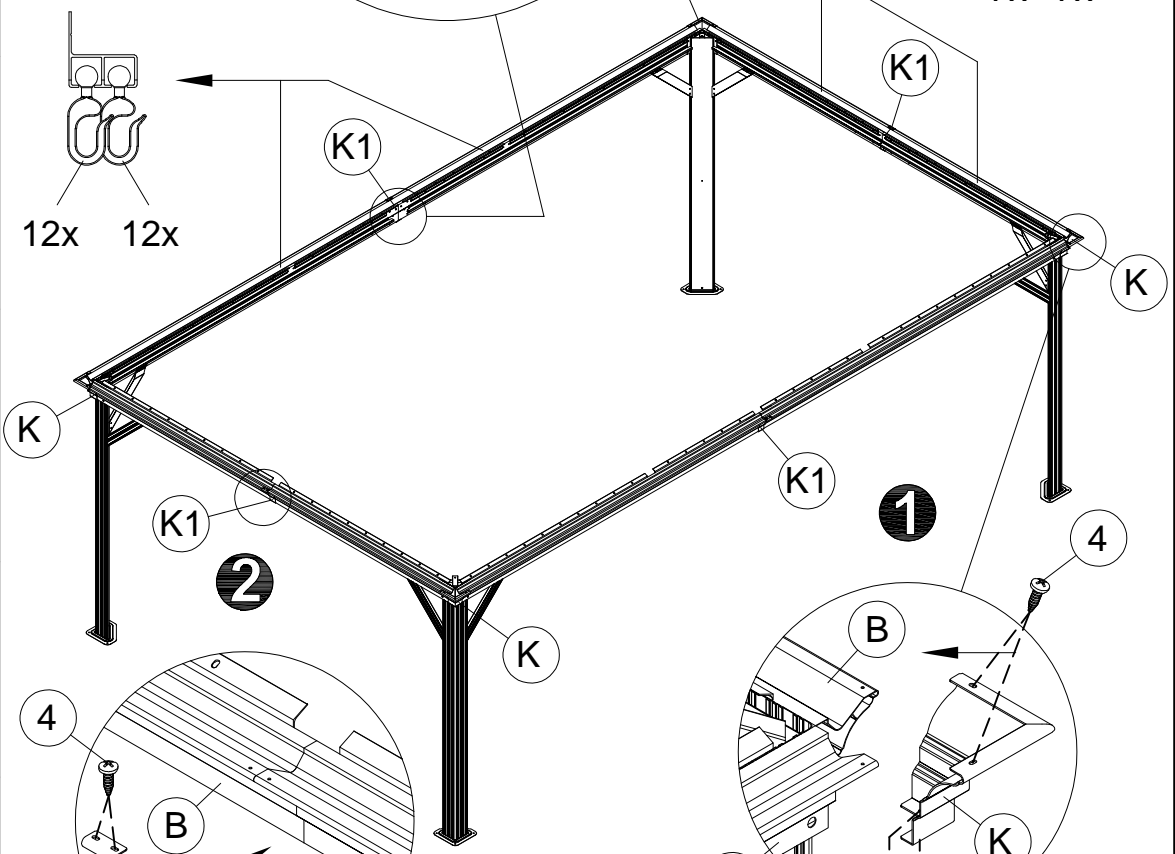
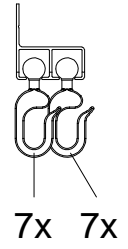
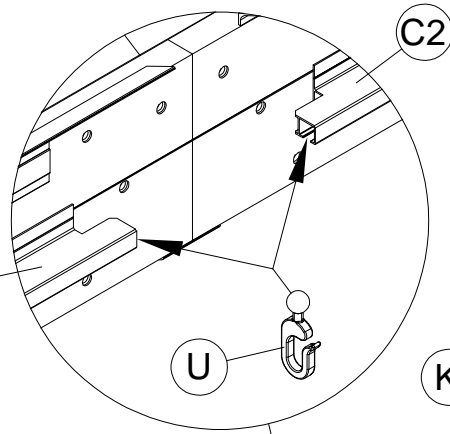


(3) 4x M5x12

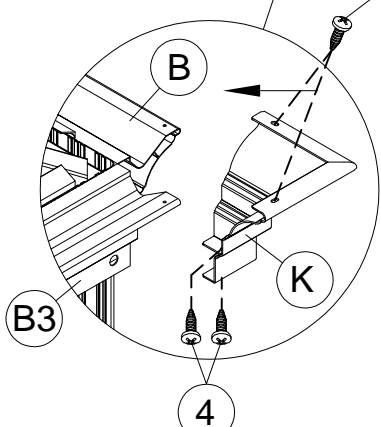


(4) 24x ST4.8x12

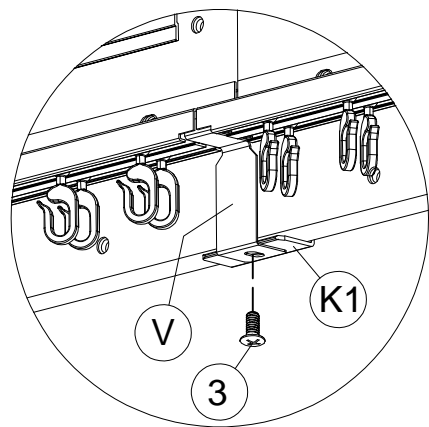
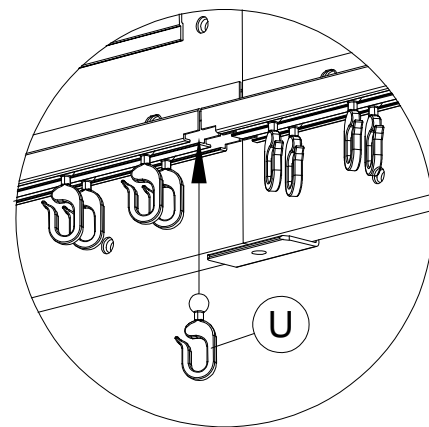
<7>

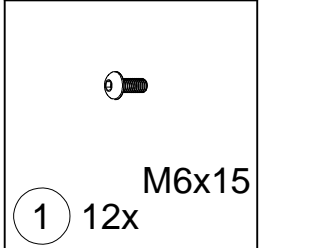
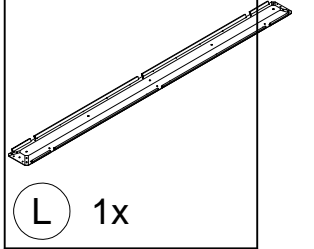
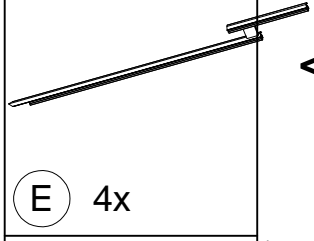


3

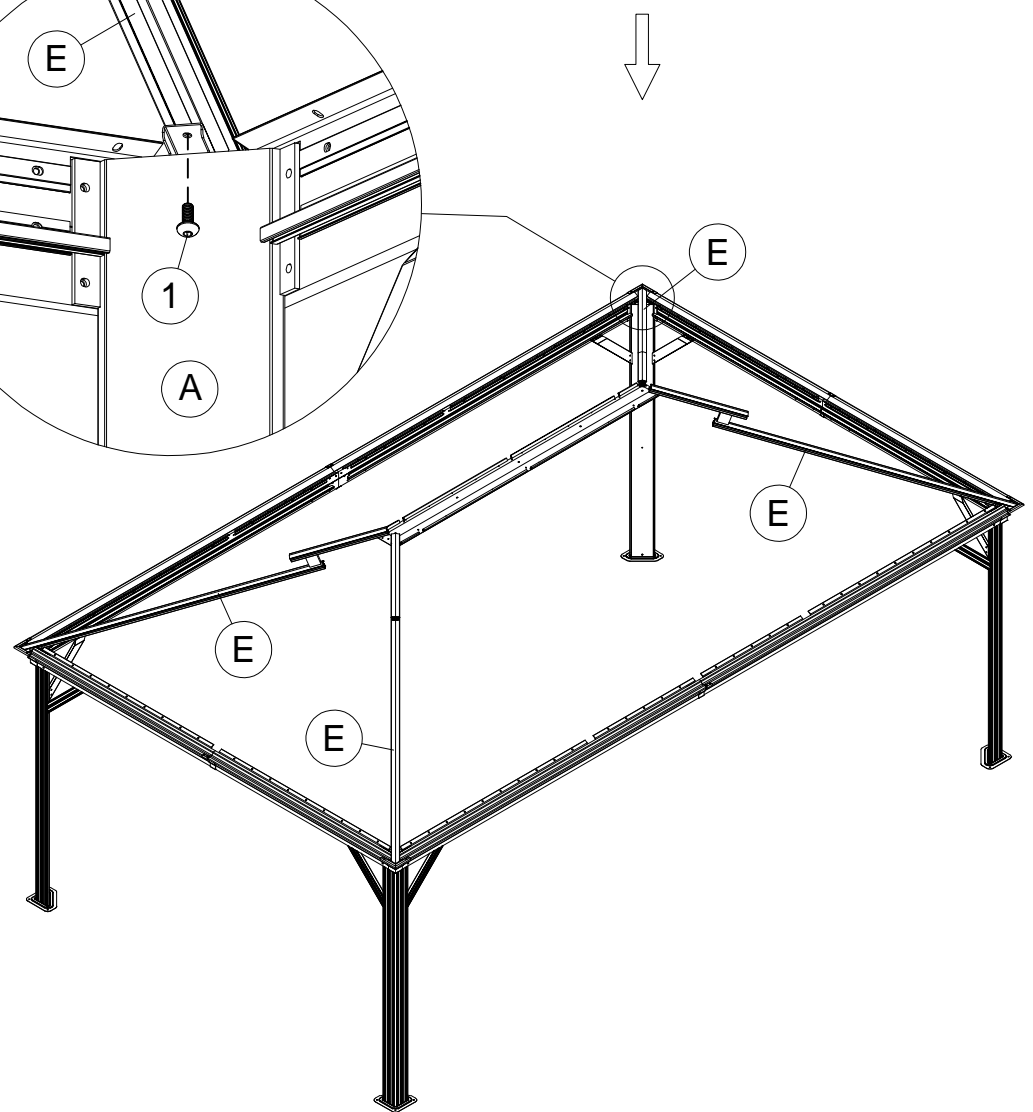
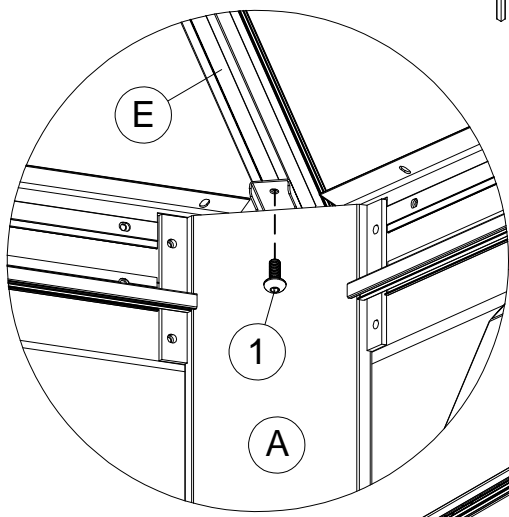
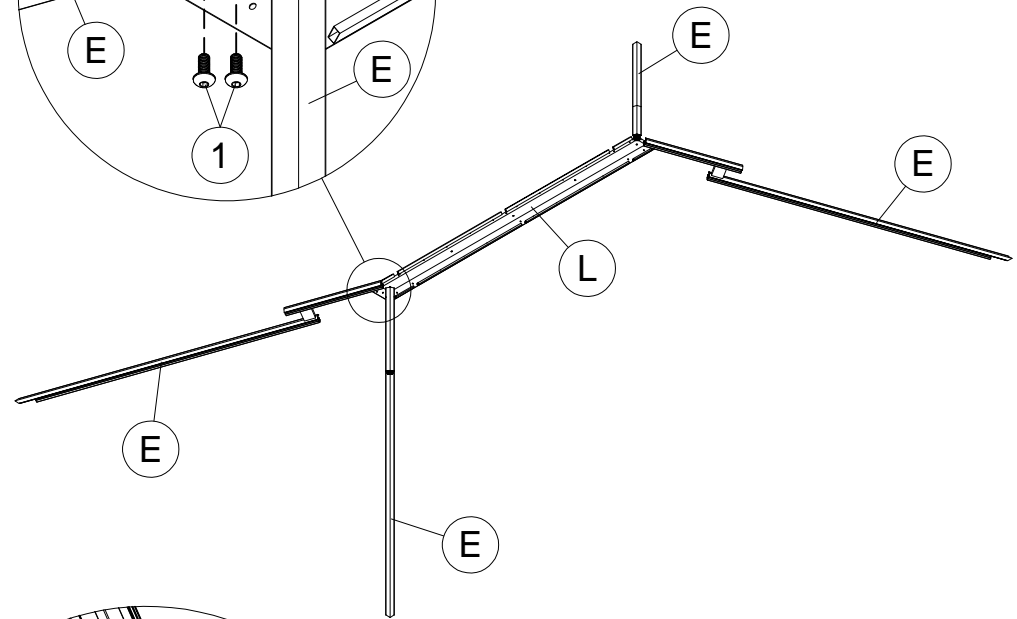
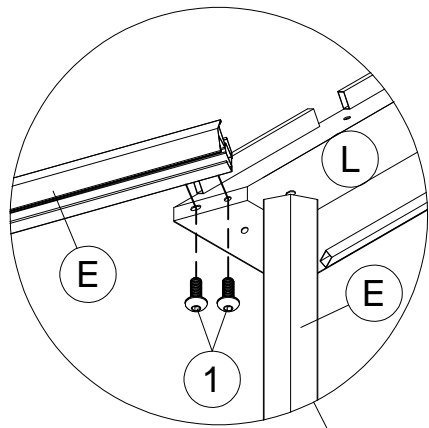


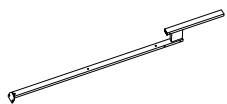
4





<8>



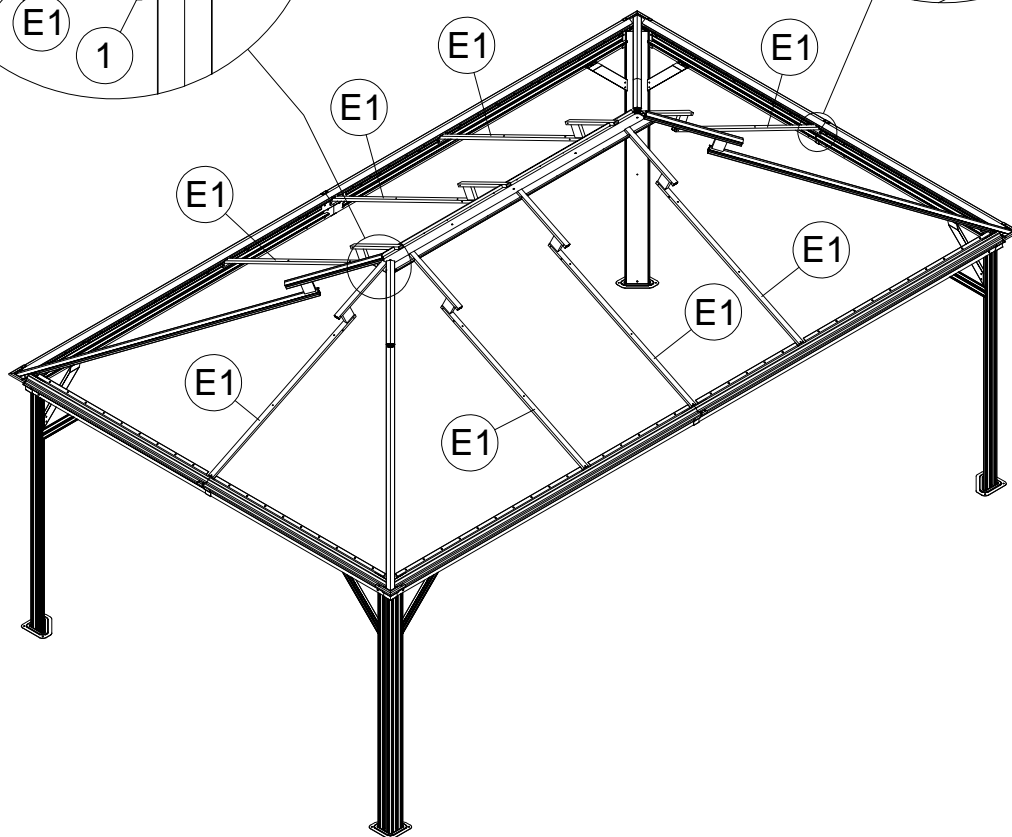
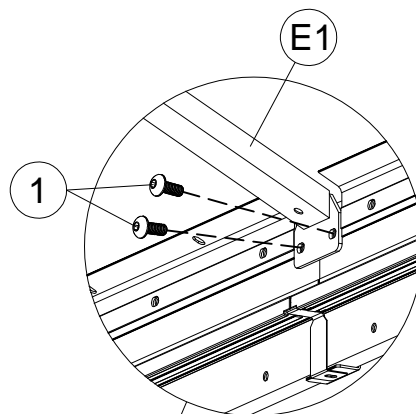
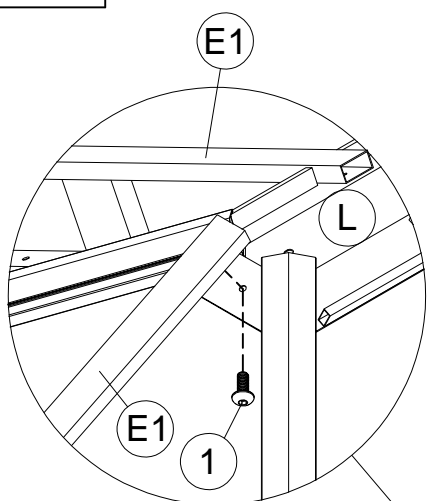


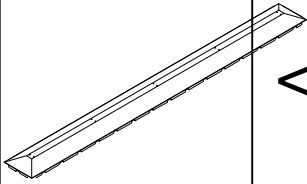
<9>

E1 8x



1 24x M6x15



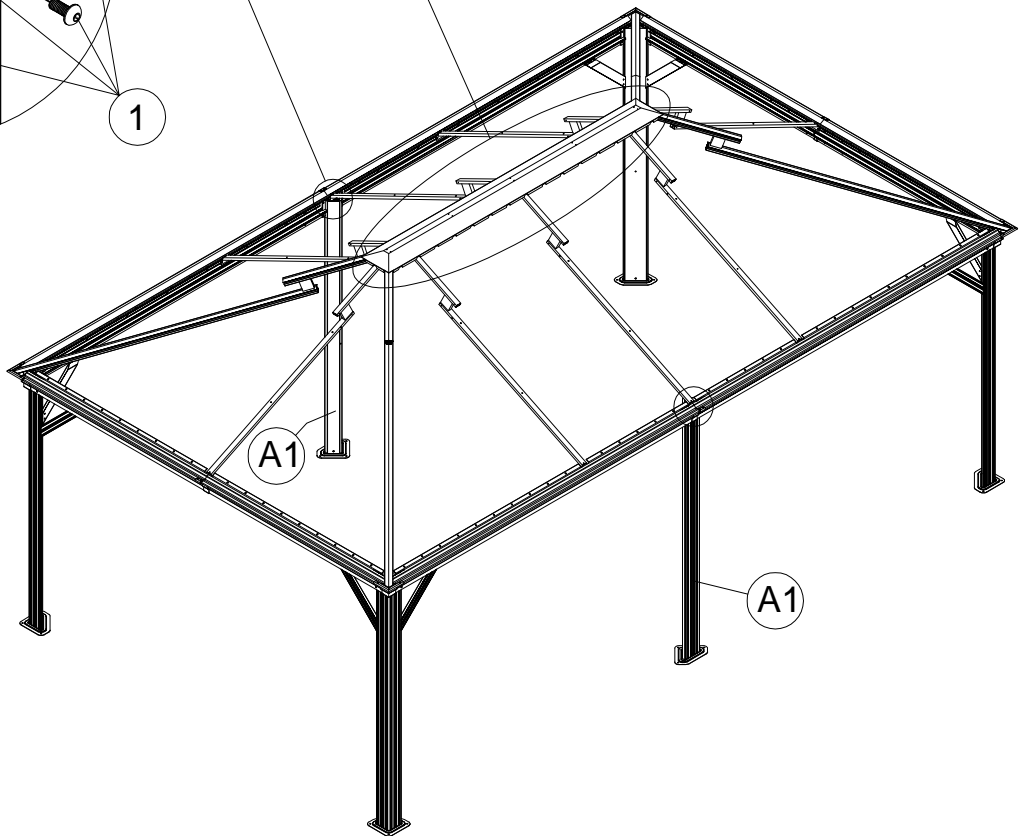
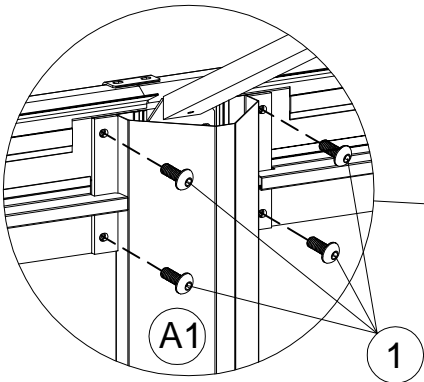
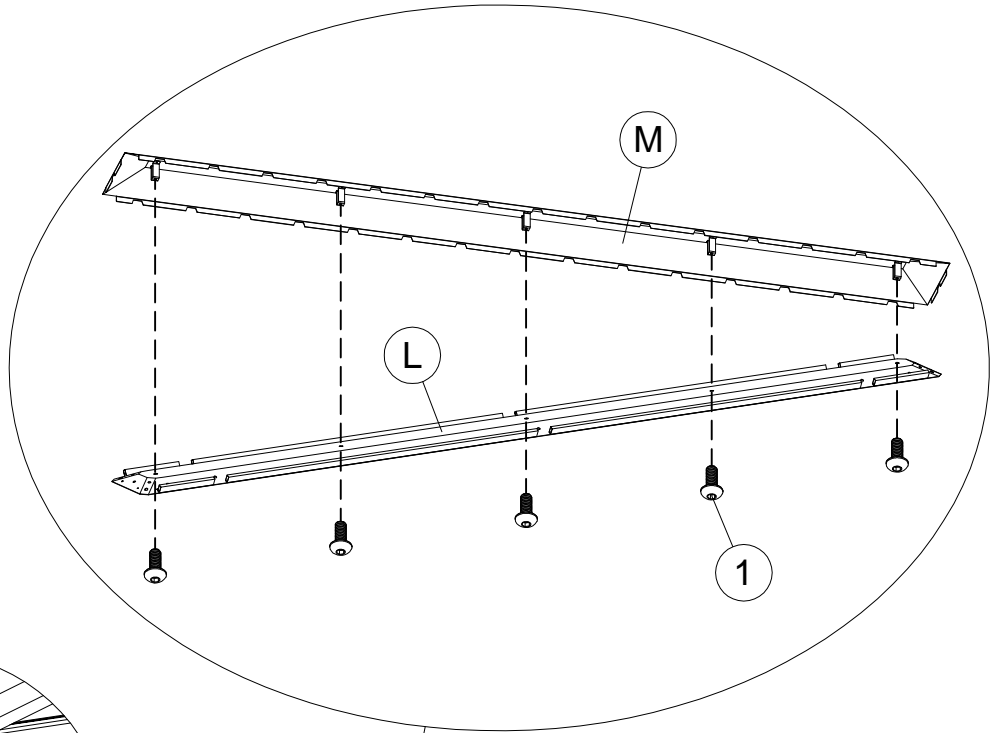


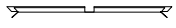
<10>

M 1x



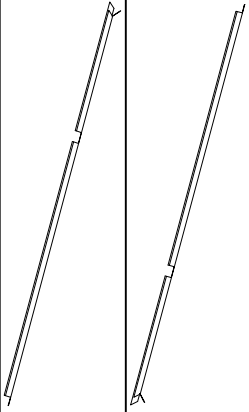
1 13x M6x15





<11>

G3 2x



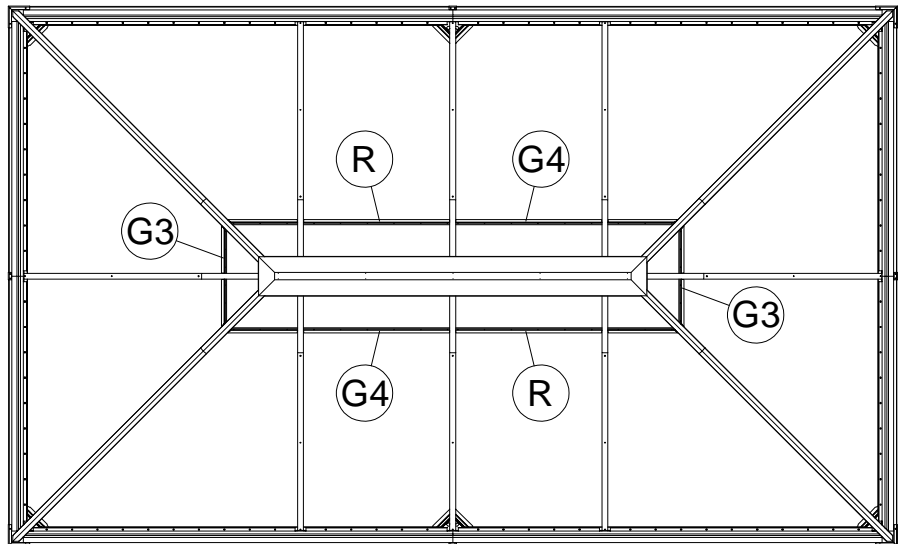
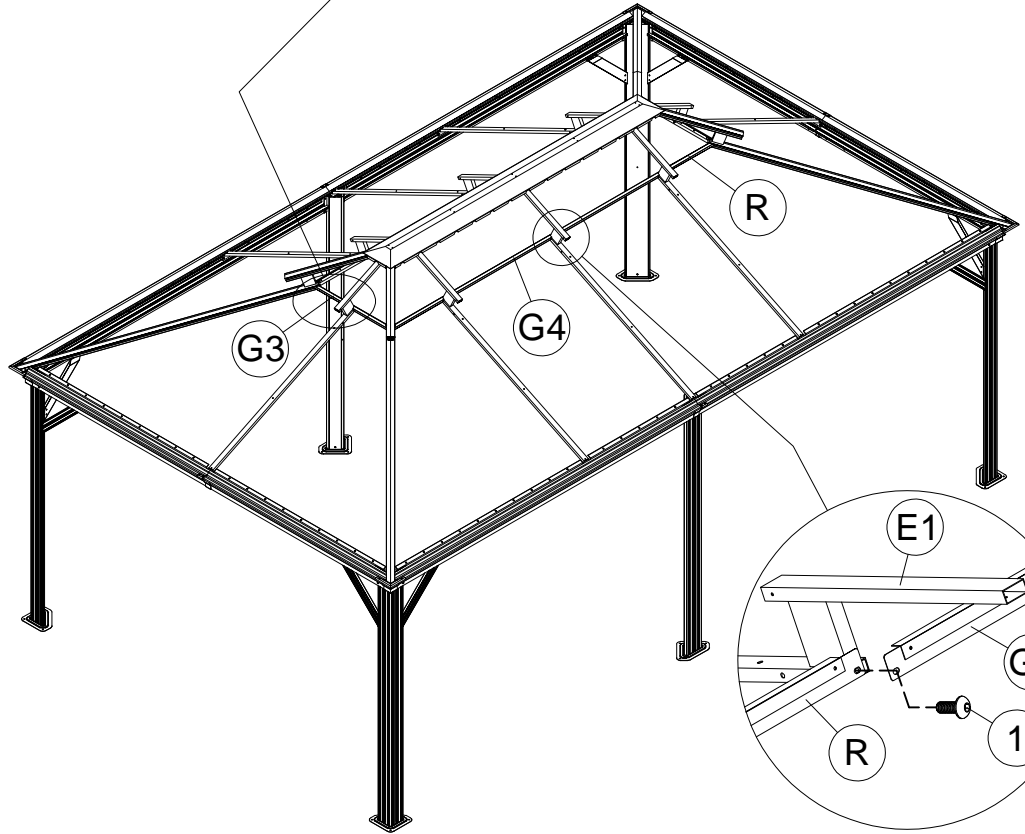
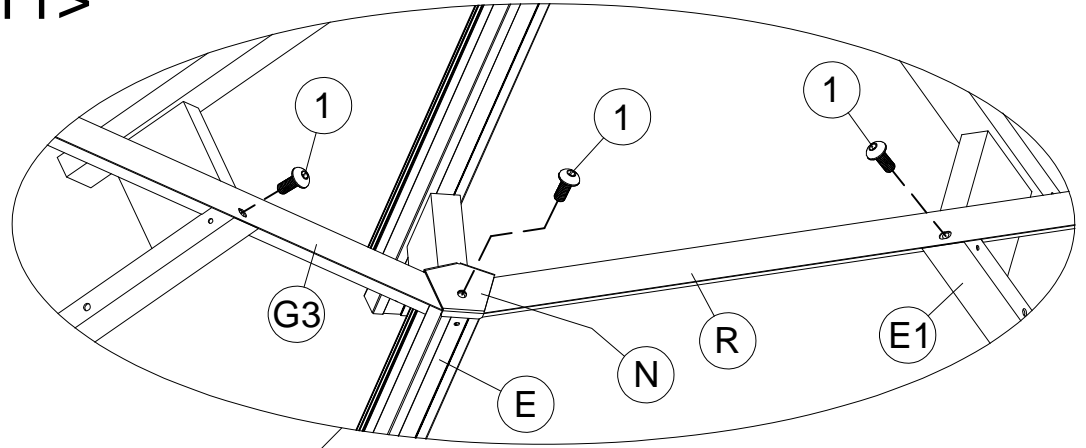
G4 2x R 2x



N 4x

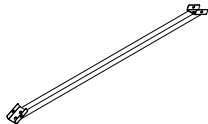


1 12x M6x15



15

<12>



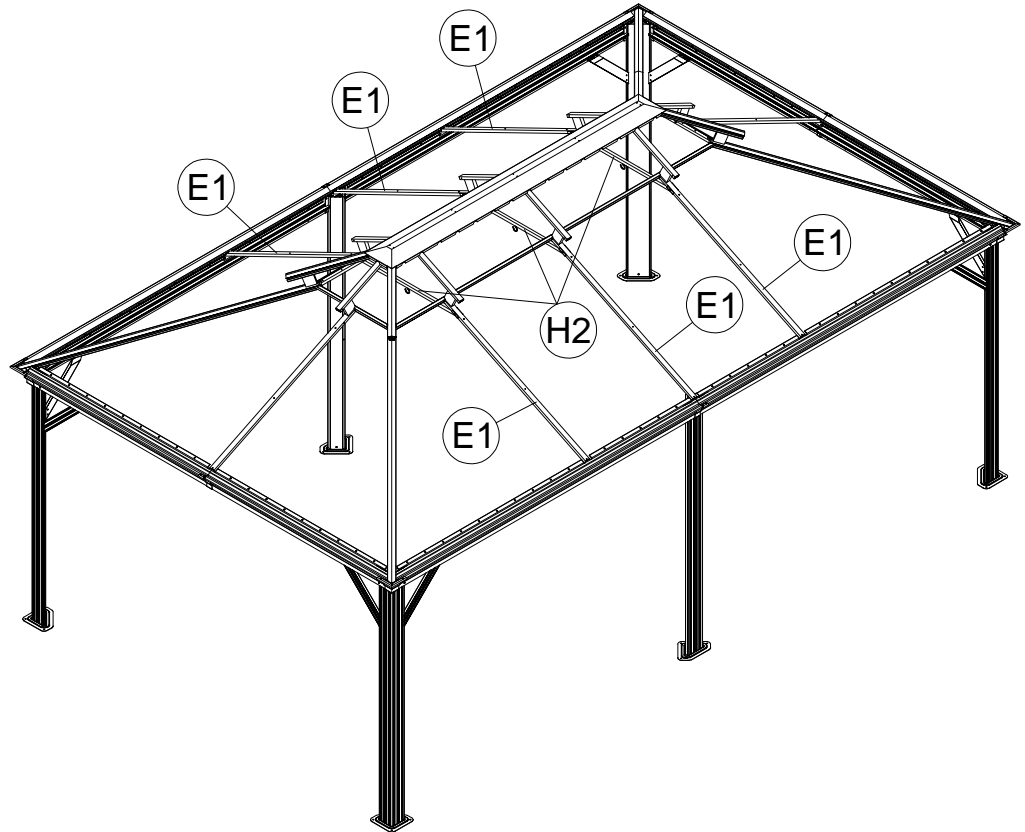
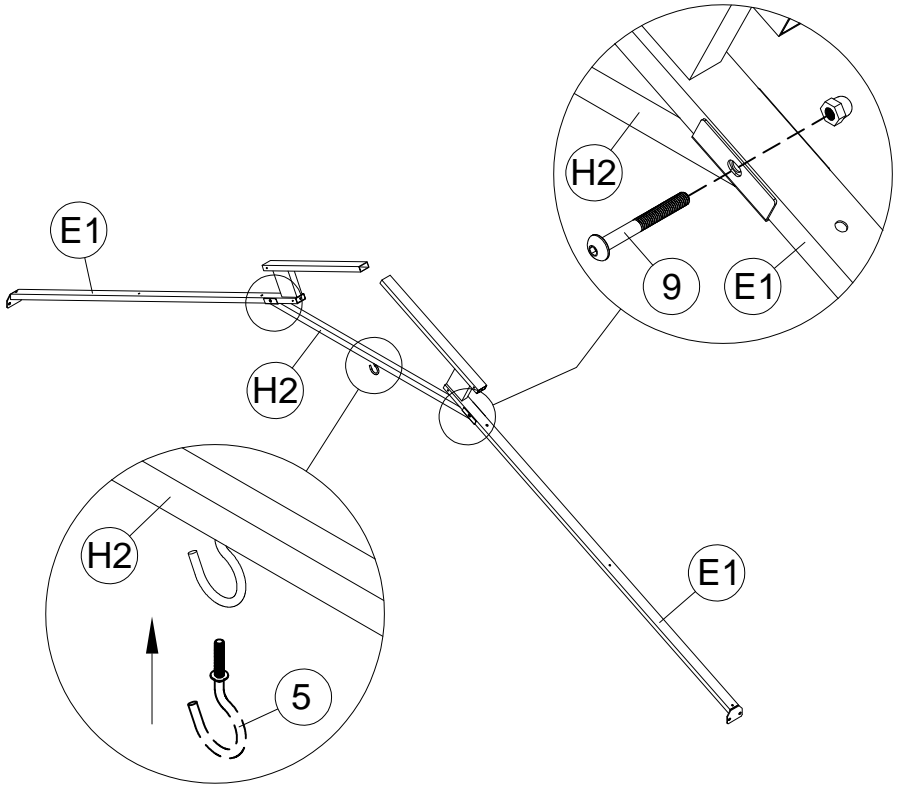
H2 3x



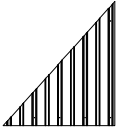
5 3x



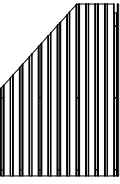
9 6x M6x50



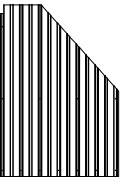
<13>



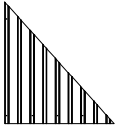
Q1 2x



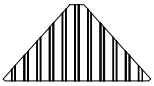
Q2 2x



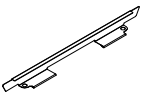
Q3 2x



Q4 2x



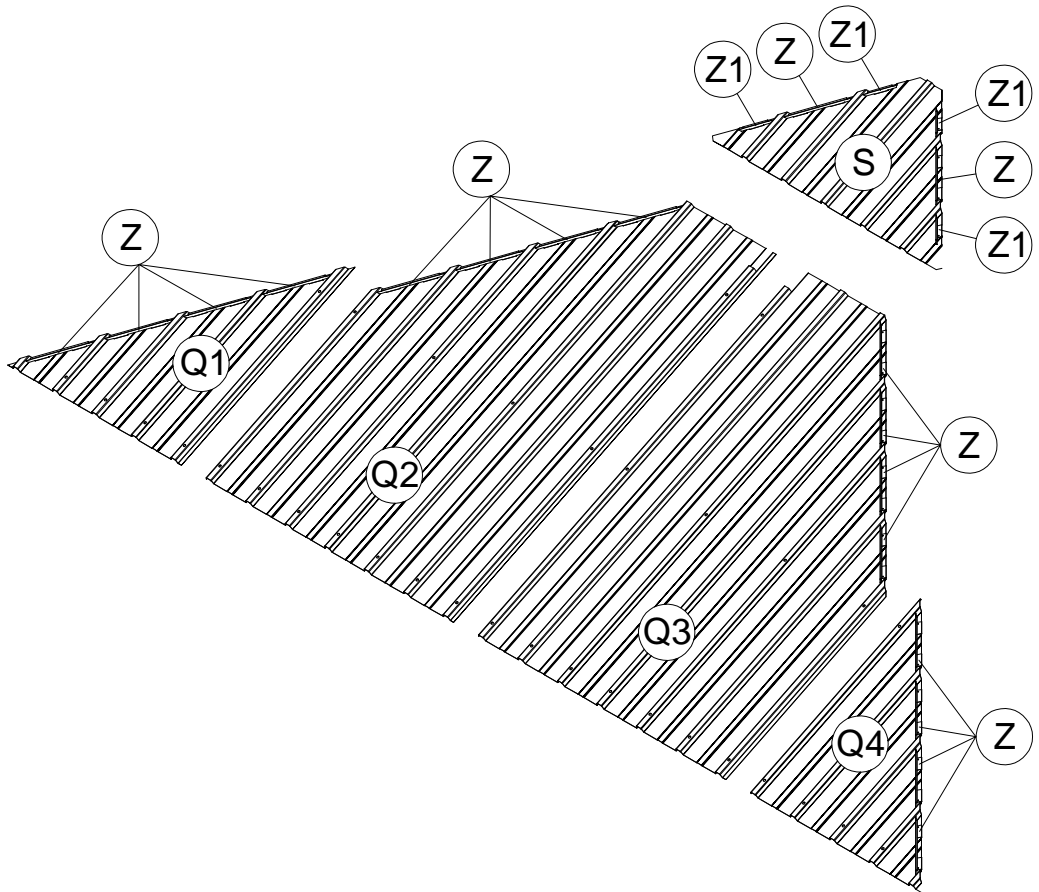
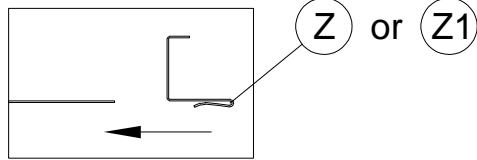
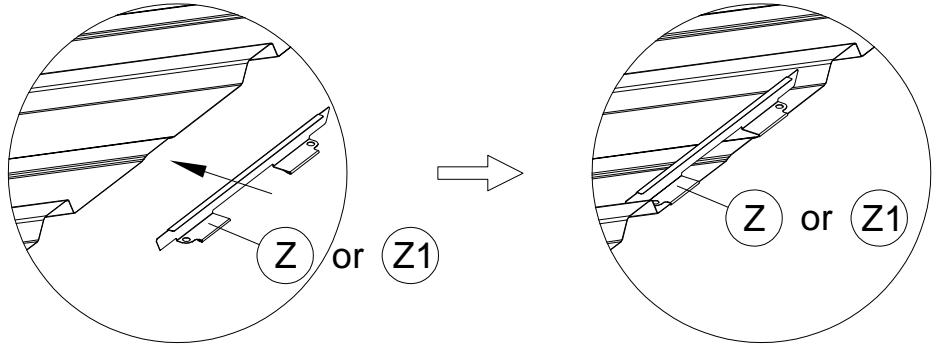
S 2x



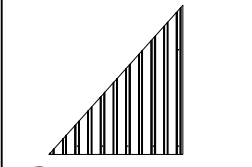
Z 36x



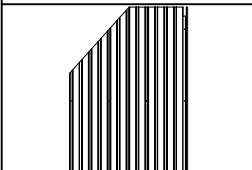
Z1 8x



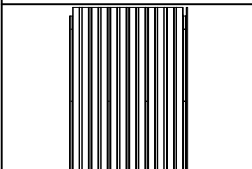
<14>



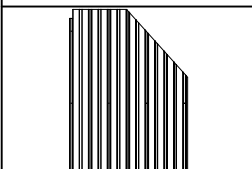
R1 2x



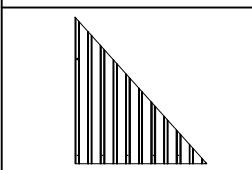
R2 2x



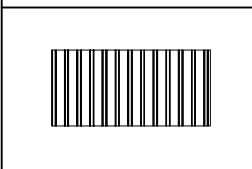
R3 4x



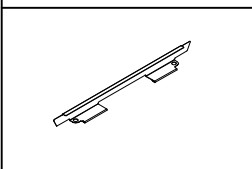
R4 2x



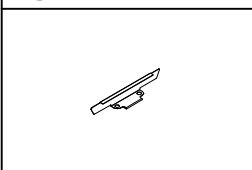
R5 2x



S3 4x

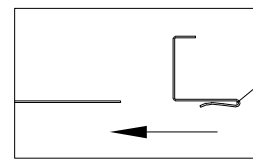
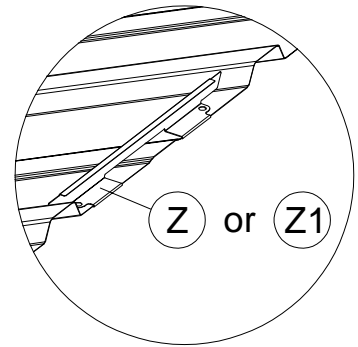
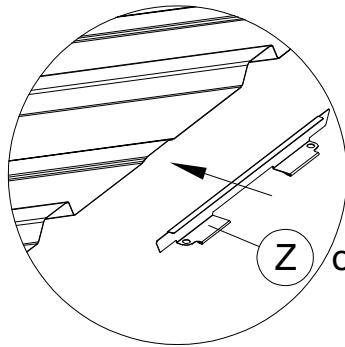


Z 40x

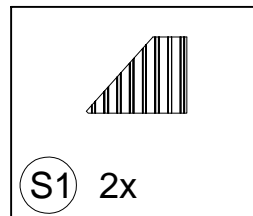
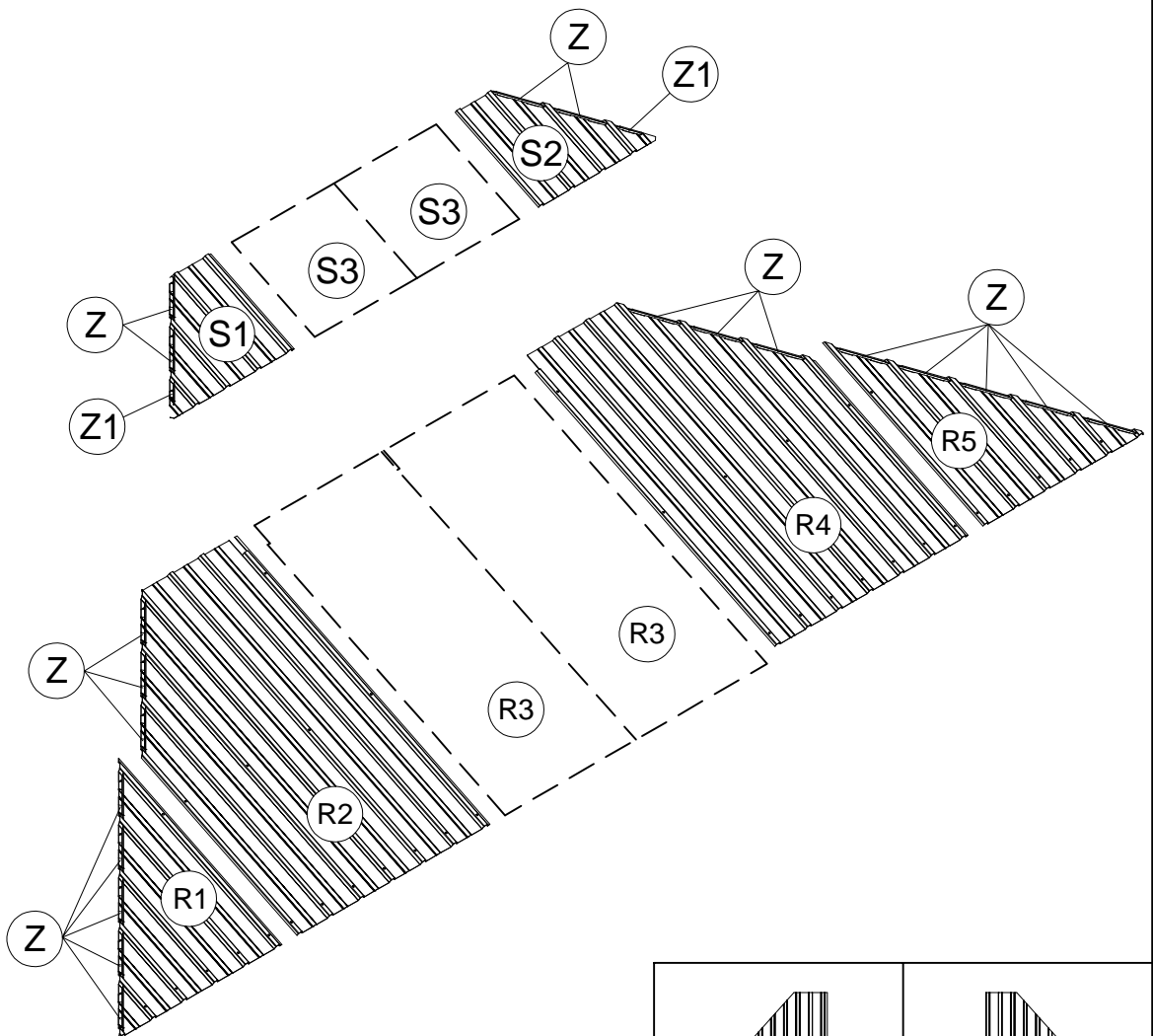


Z1 4x

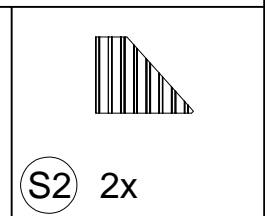
18



Z or Z1

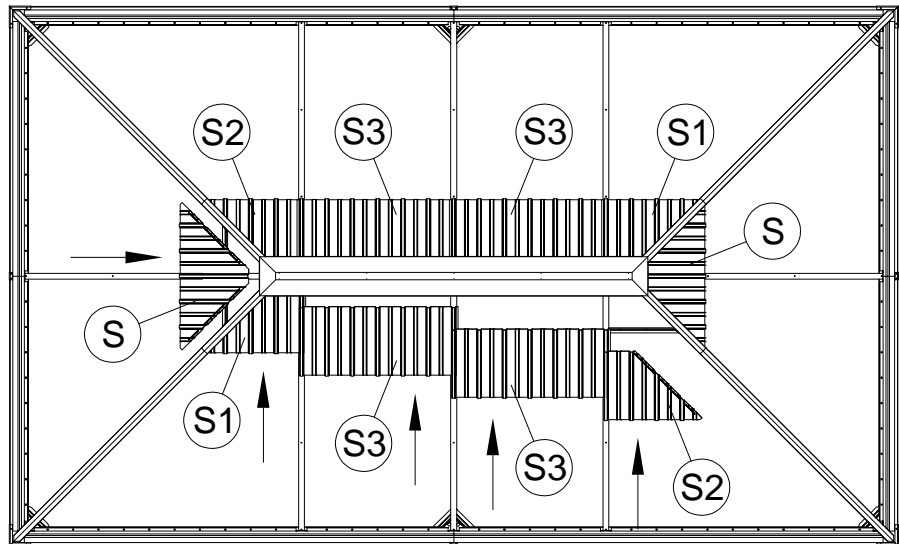
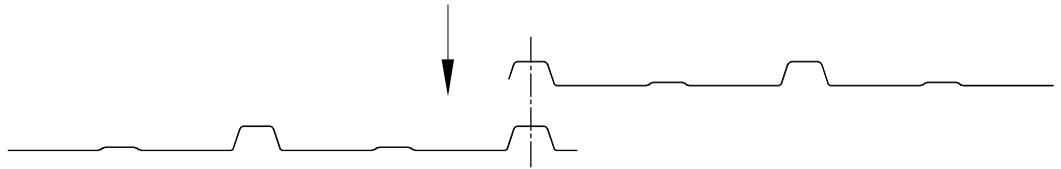
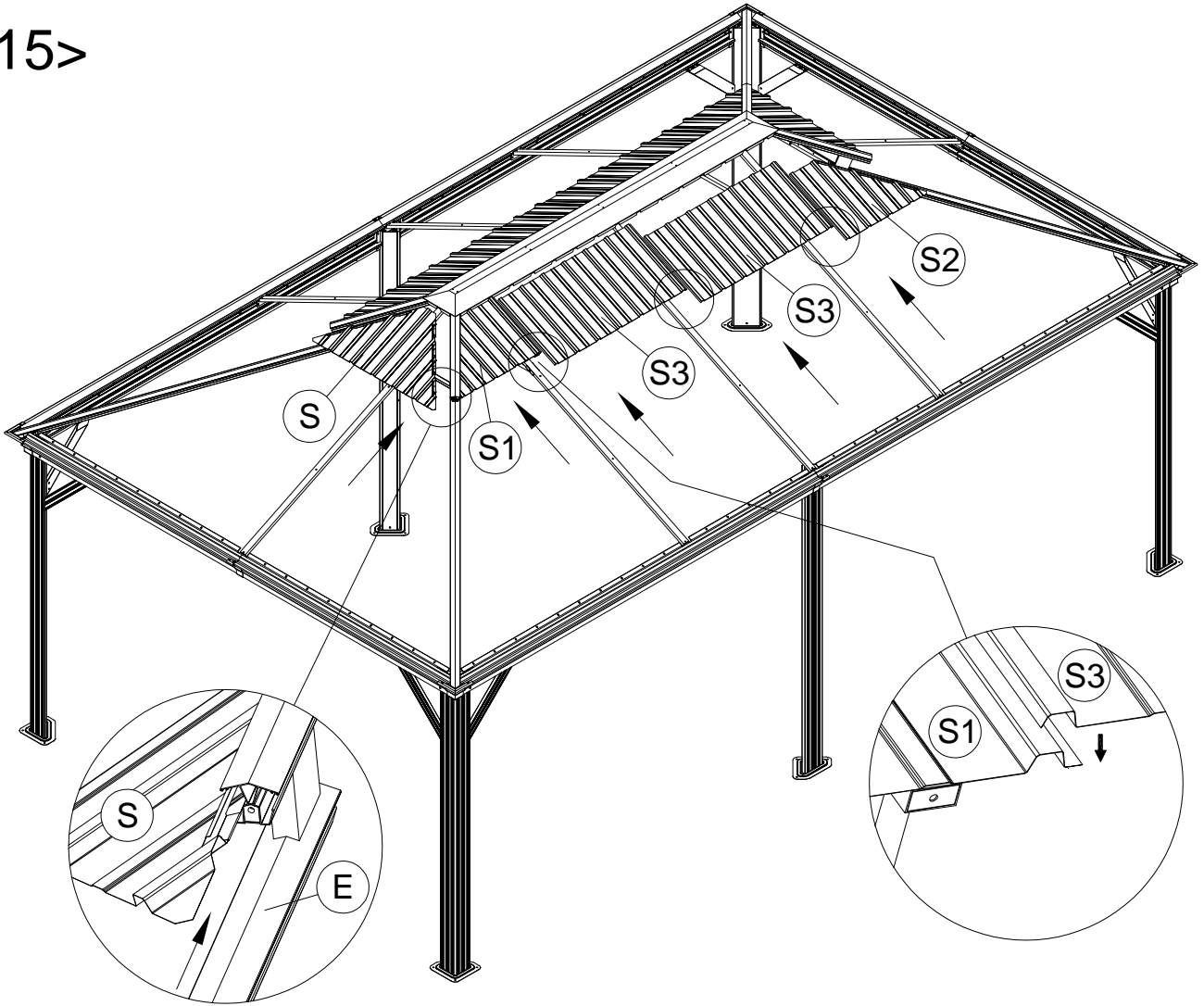


S1 2x



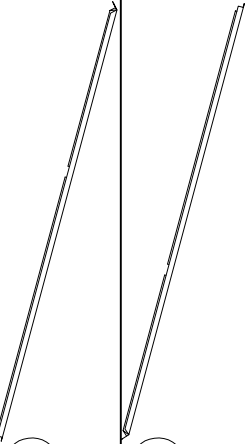
S2 2x

<15>



<16>

G1 2x



G2 2x Q 2x



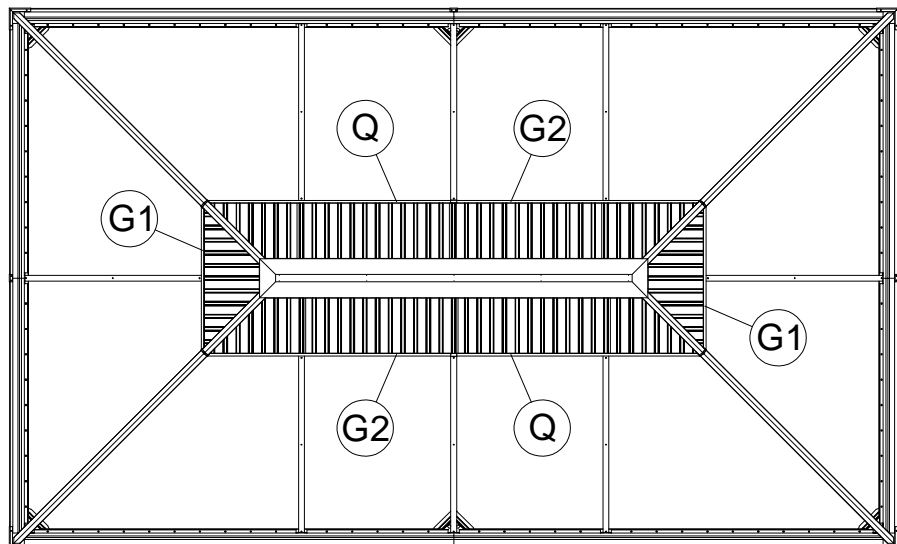
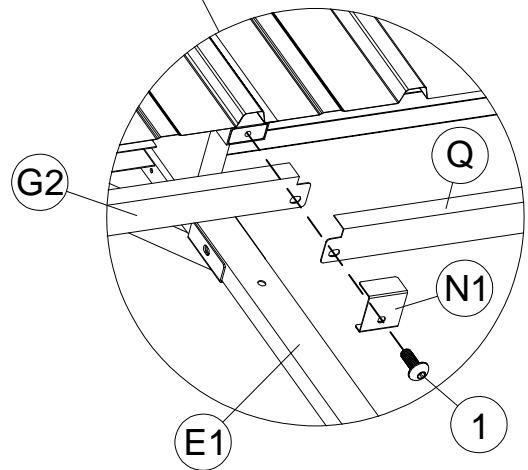
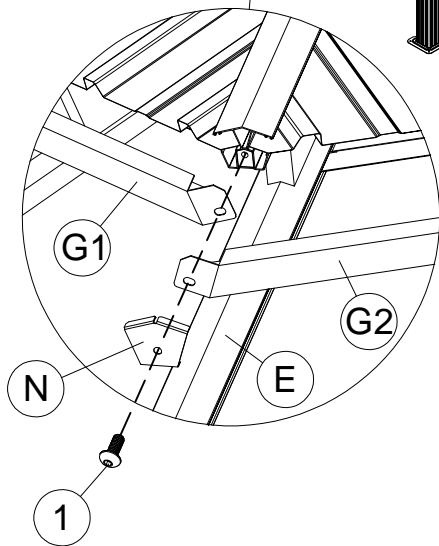
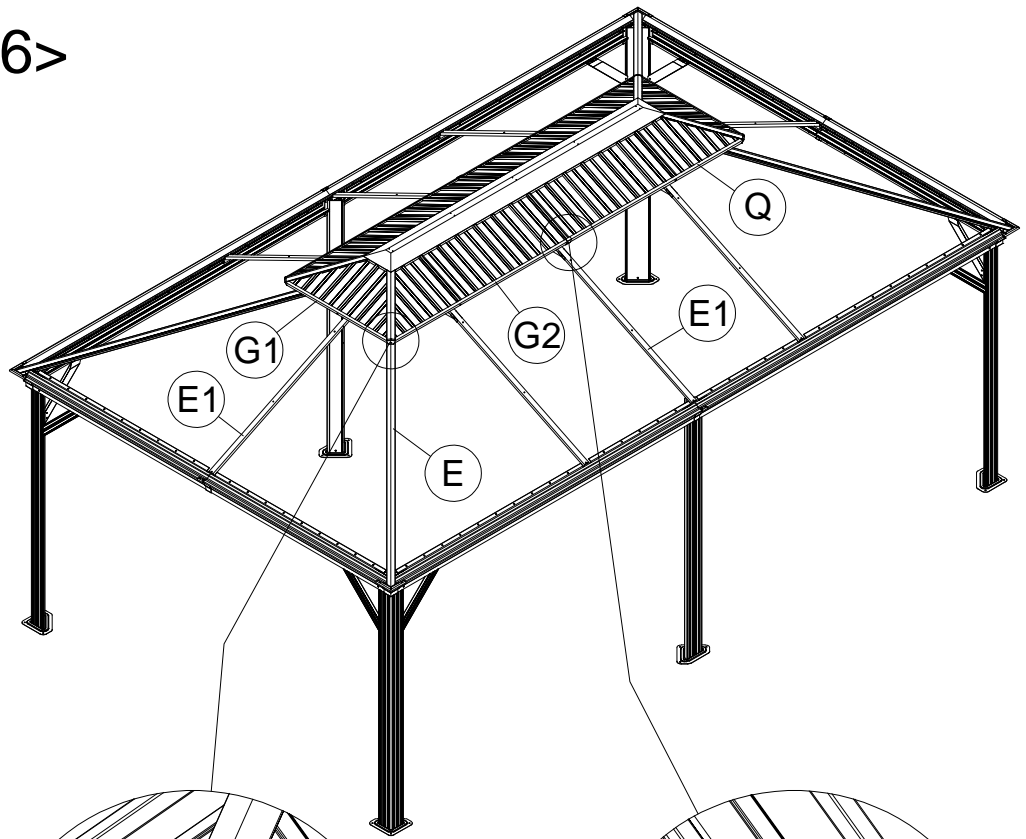
N 4x



N1 2x



1 12x M6x15



20

<17>

F 4x

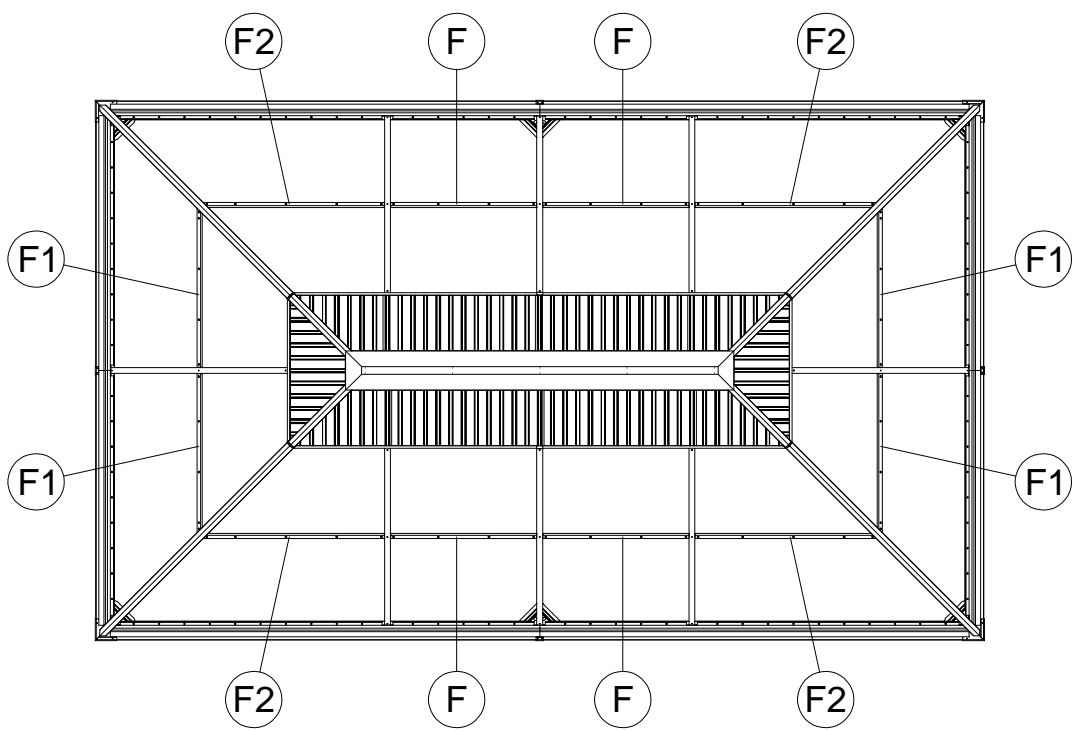
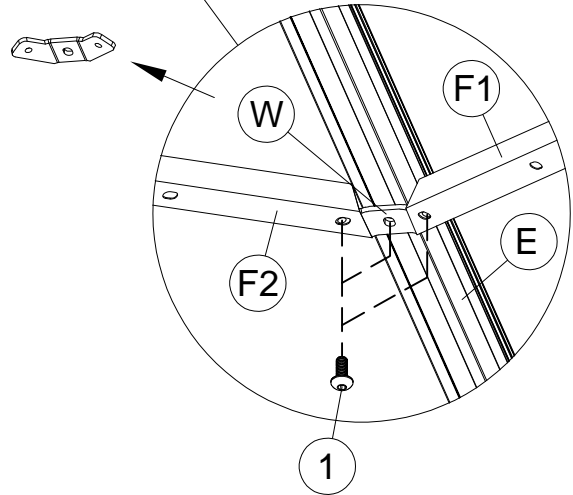
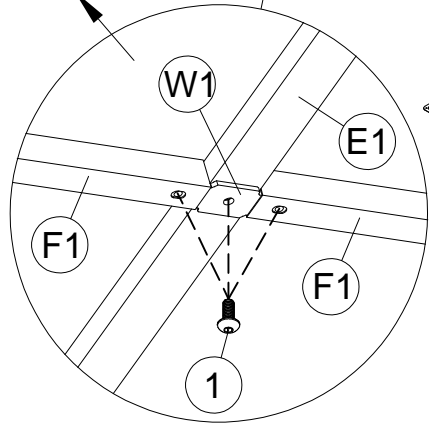
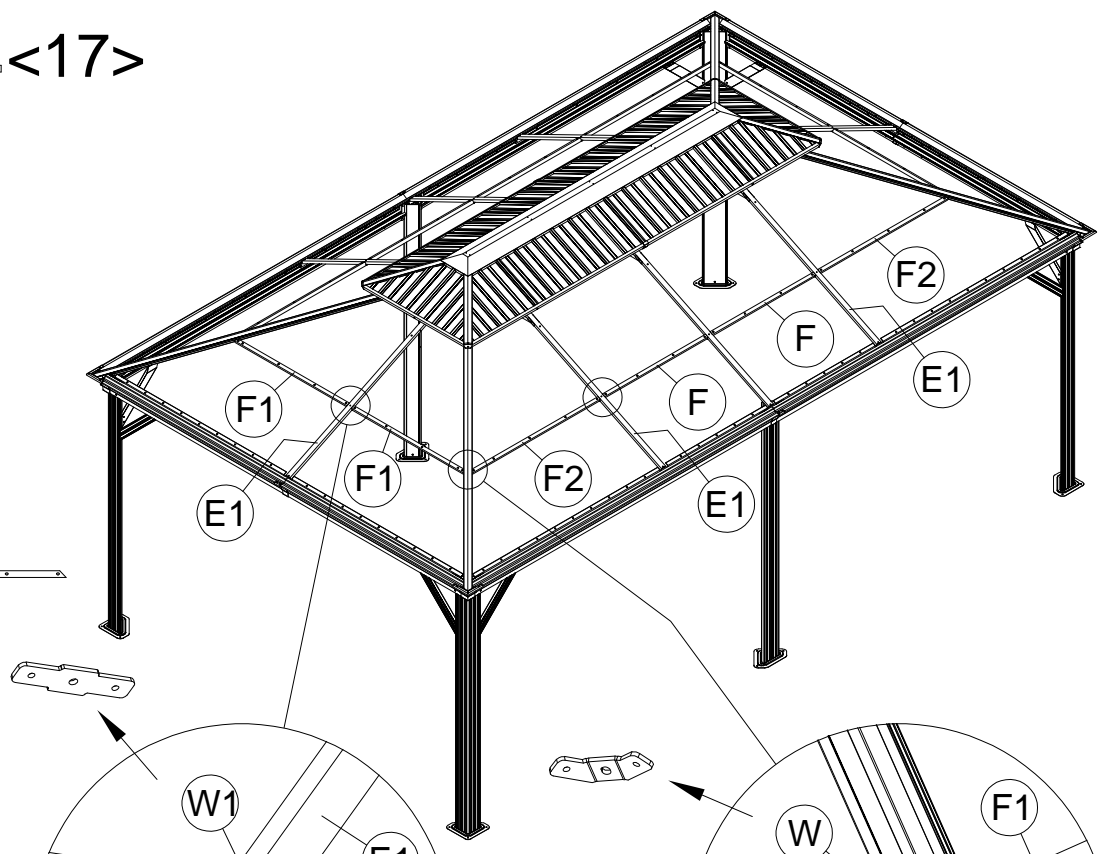
F1 4x

F2 4x

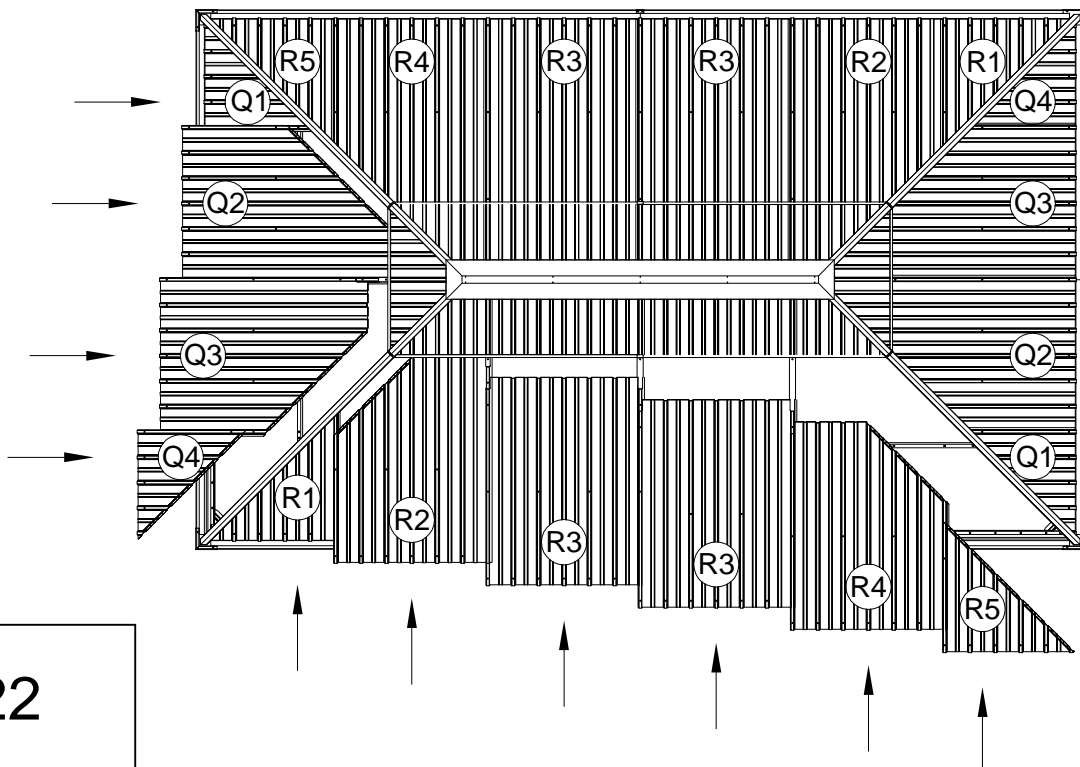
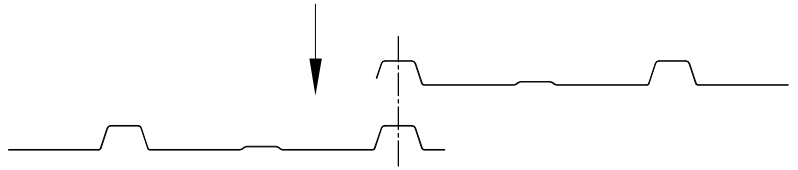
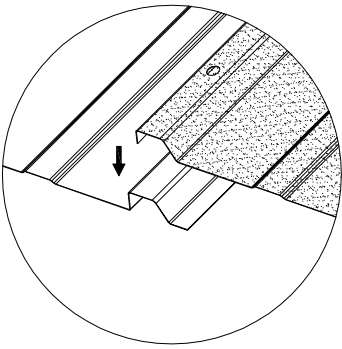
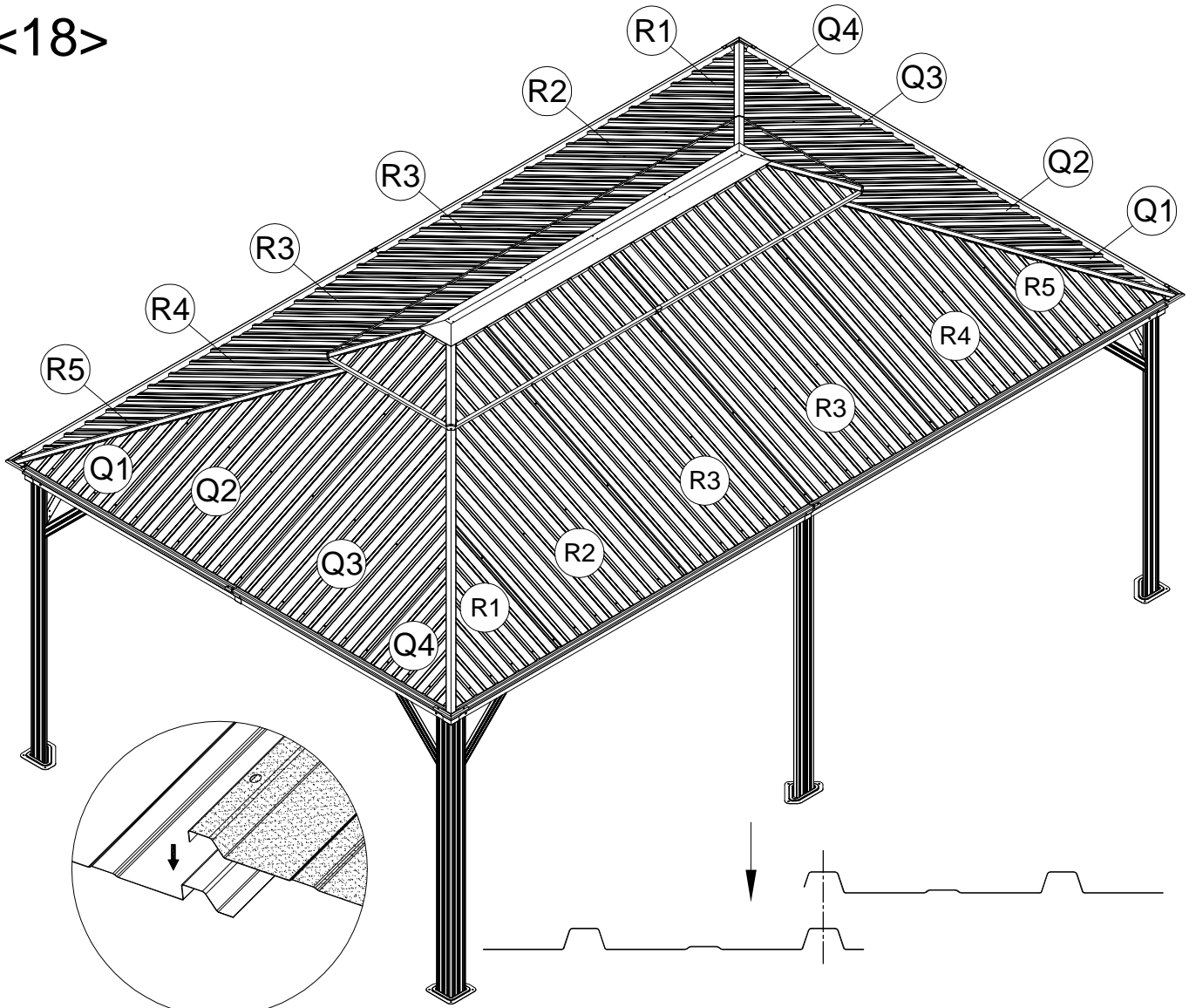
W 4x

W1 8x

1 36x M6x15

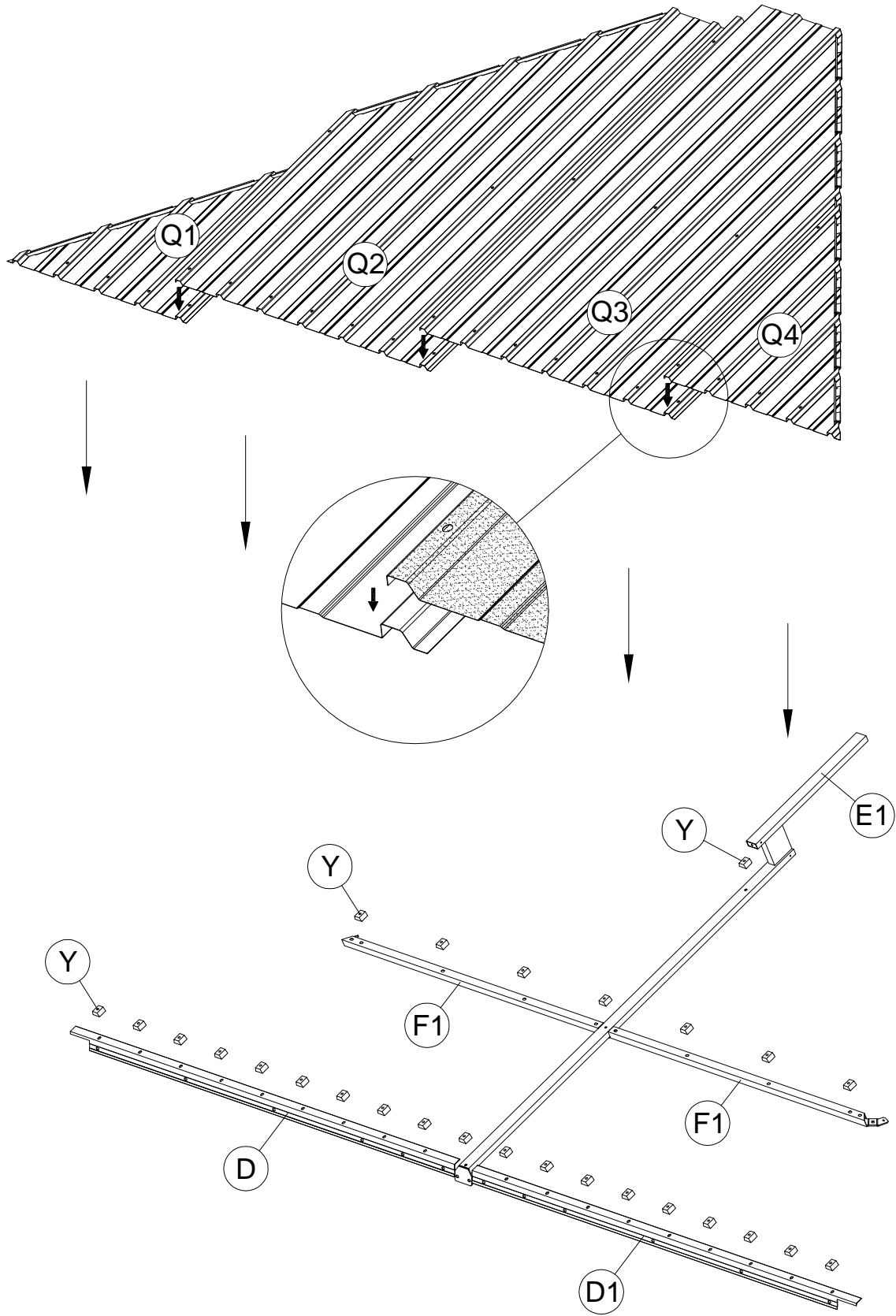


<18>

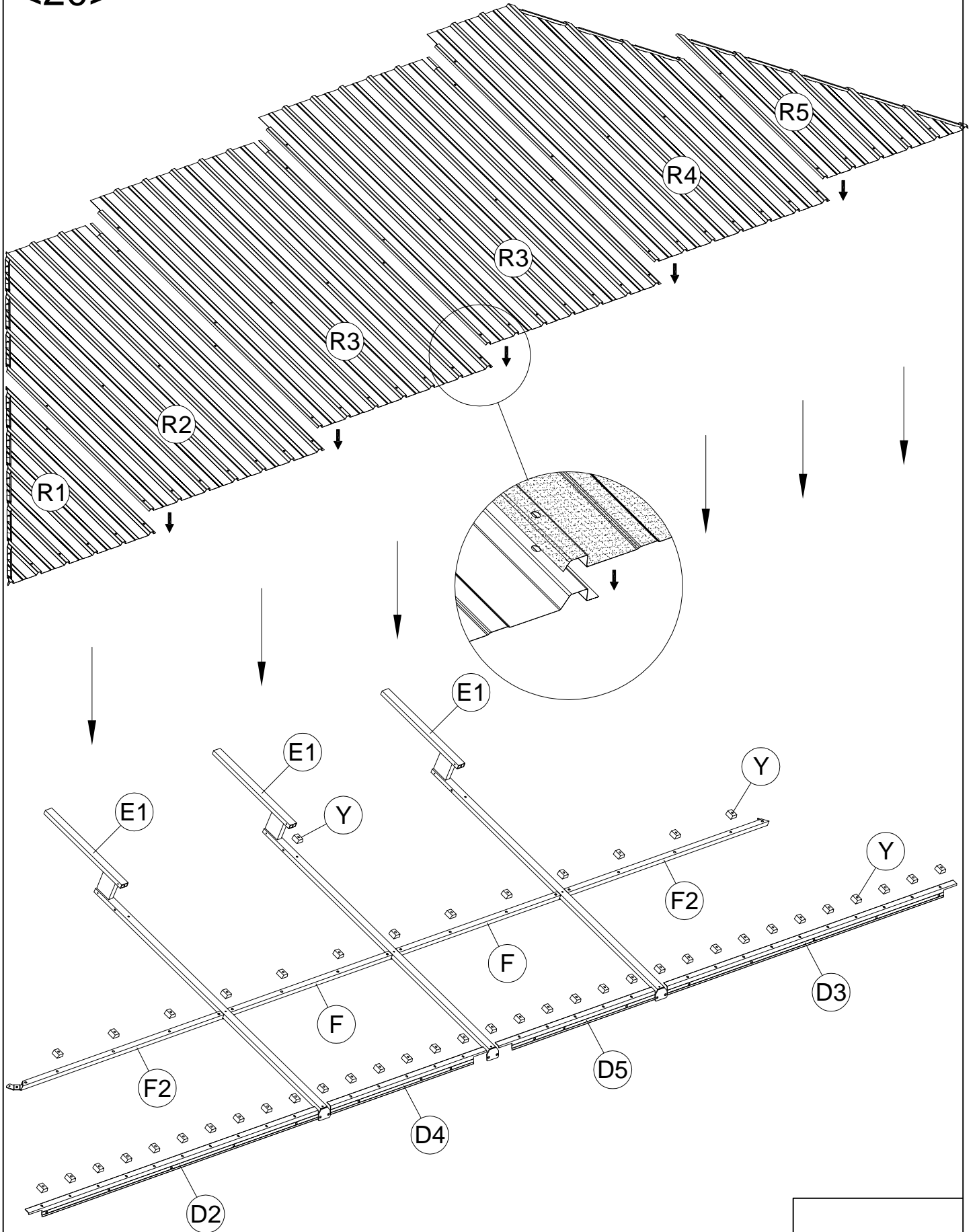


22

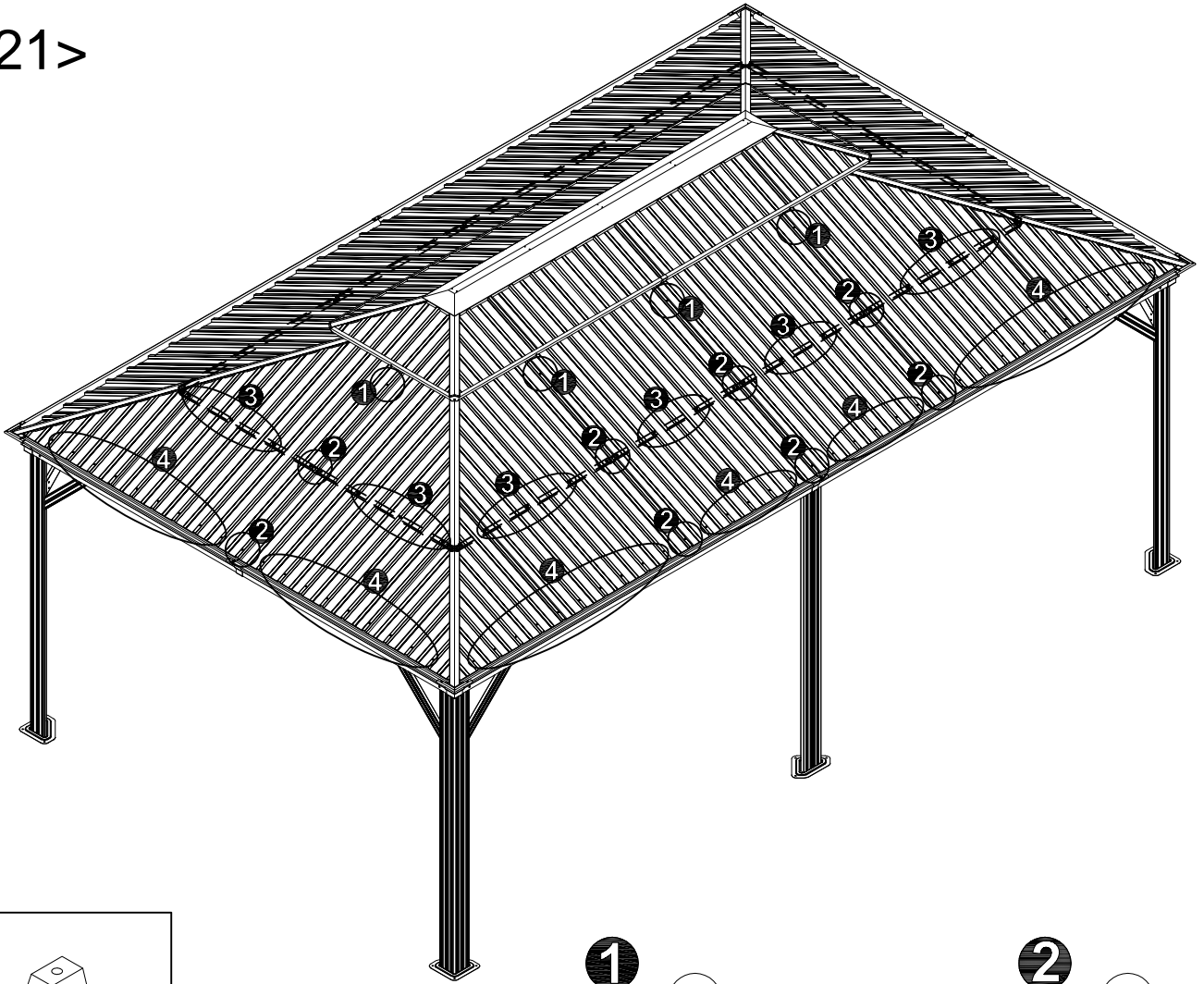
<19>



<20>



<21>



Y 152x

16x

96x

M6x23

2 16x + 96x



M6x42

6 8x



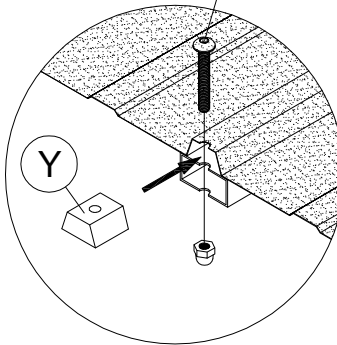
M6x47

7 32x

25

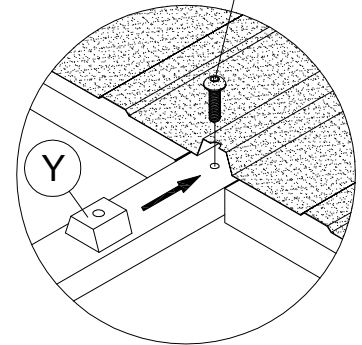
1

6



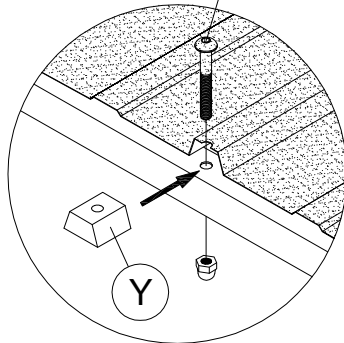
2

2



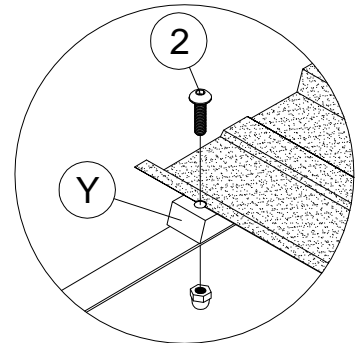
3

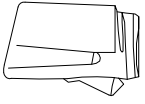
7



4

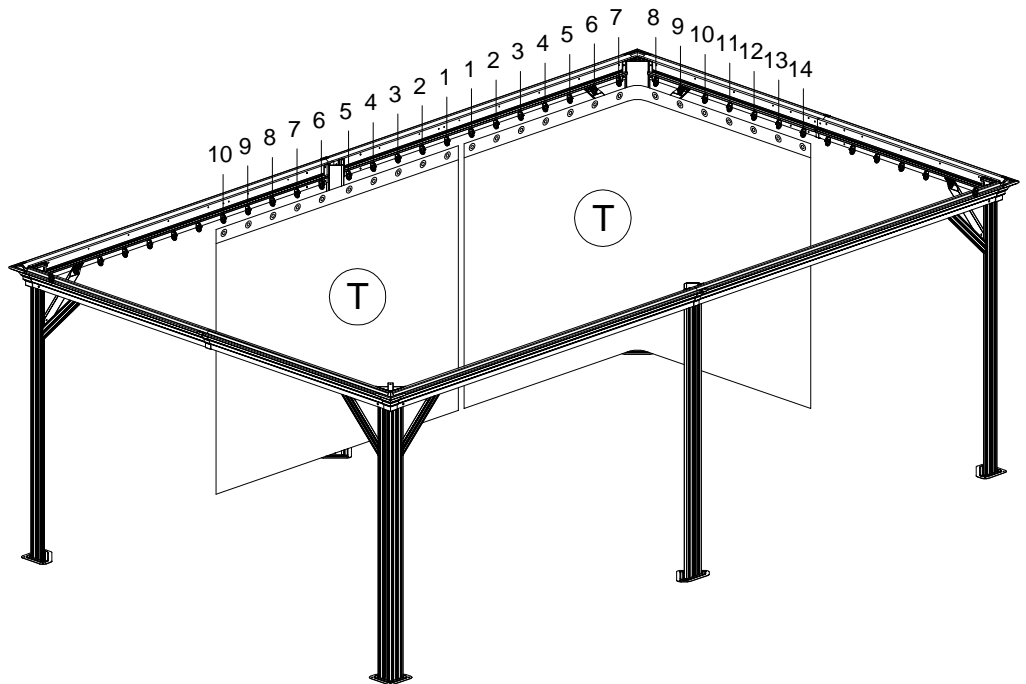
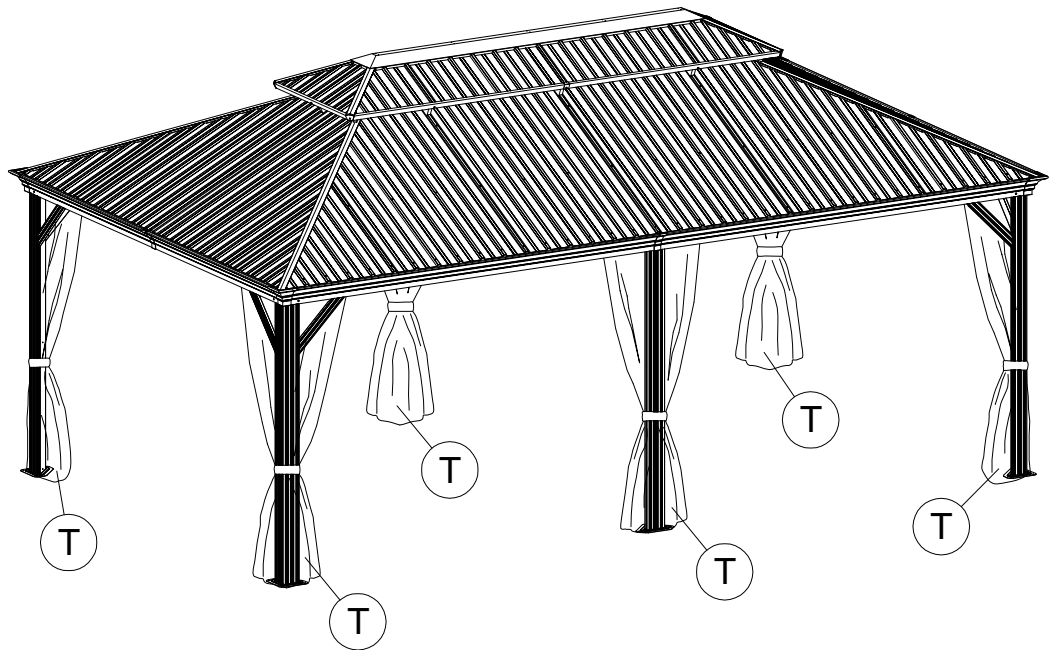
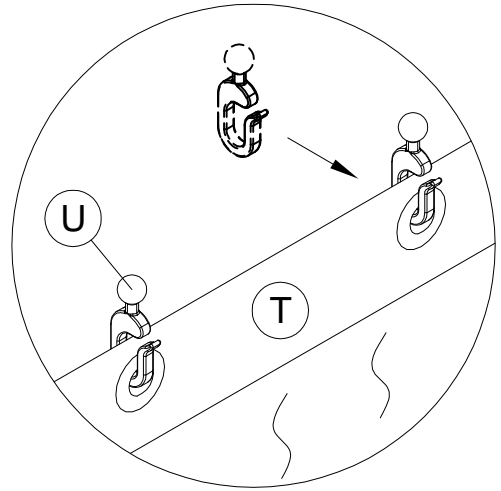
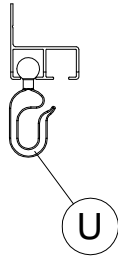
2

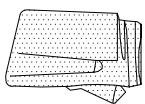




<22>

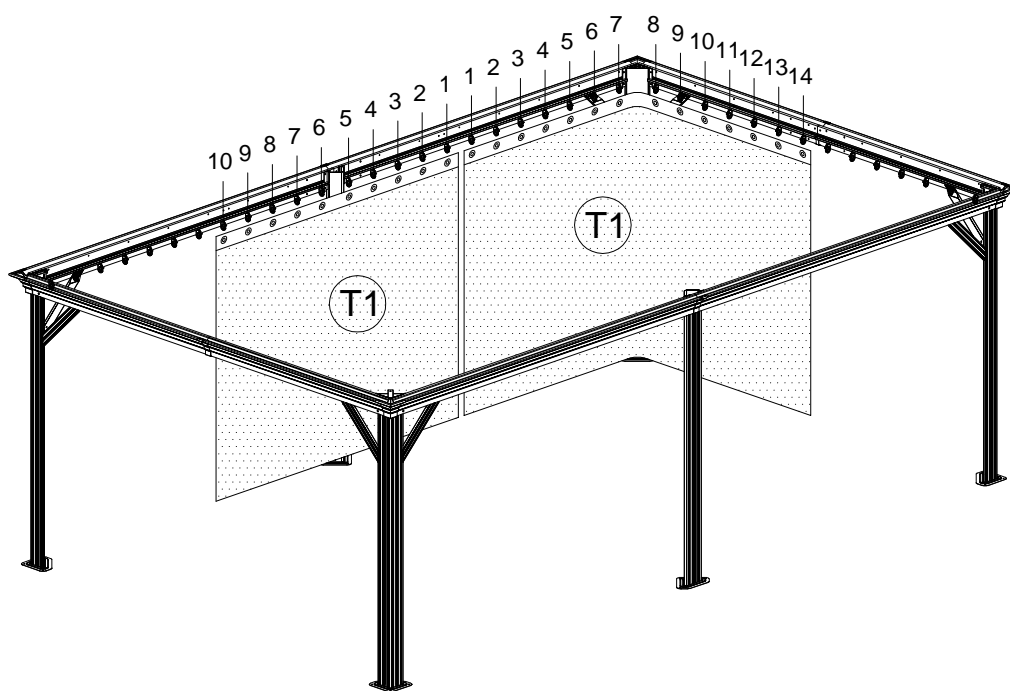
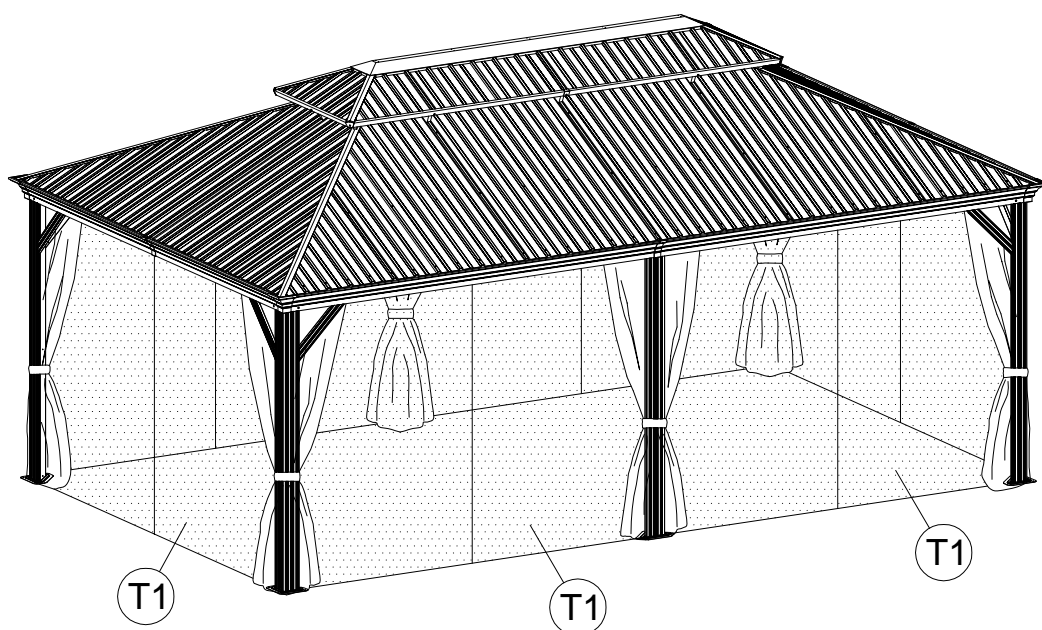
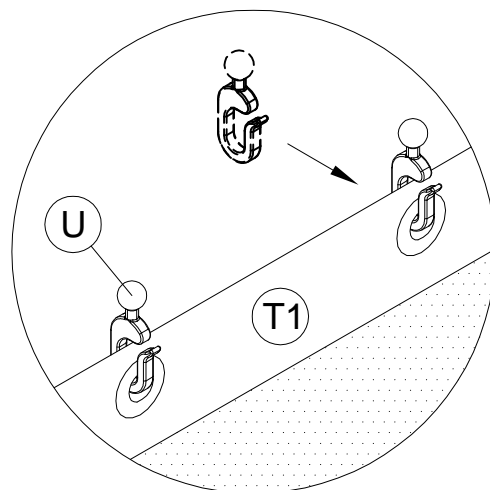
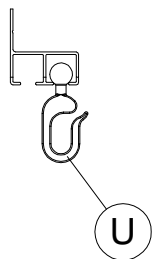
T 4x + 2x





<23>

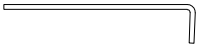
T1 4x+2x



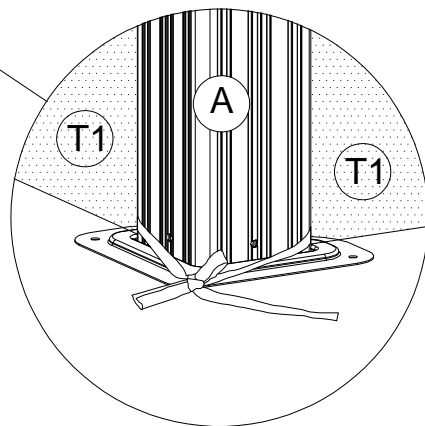
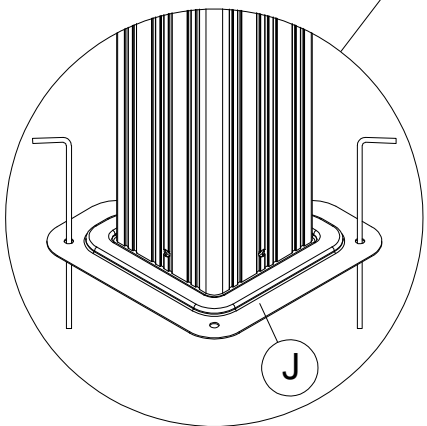
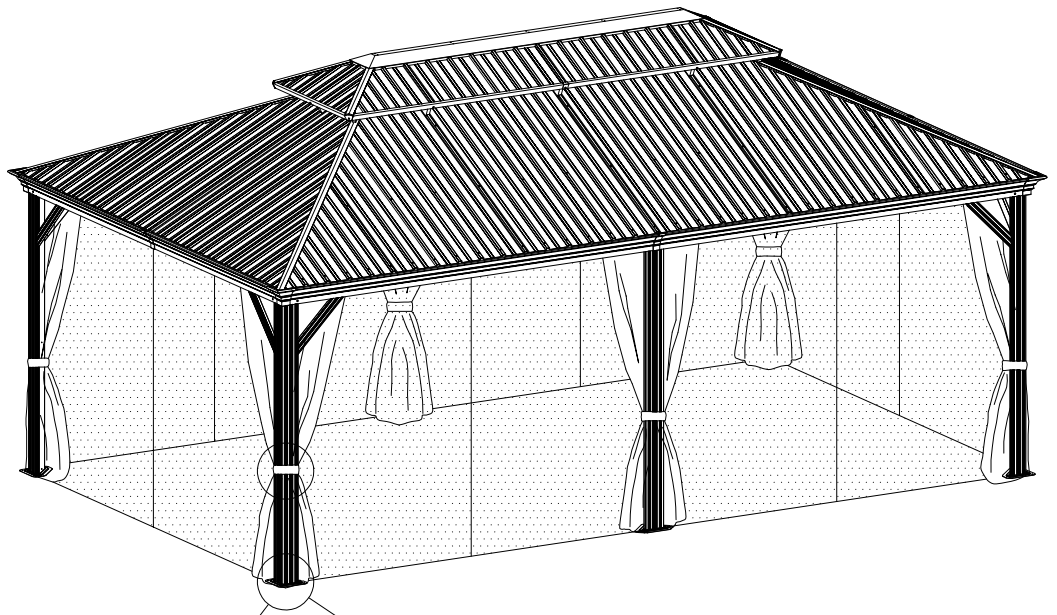
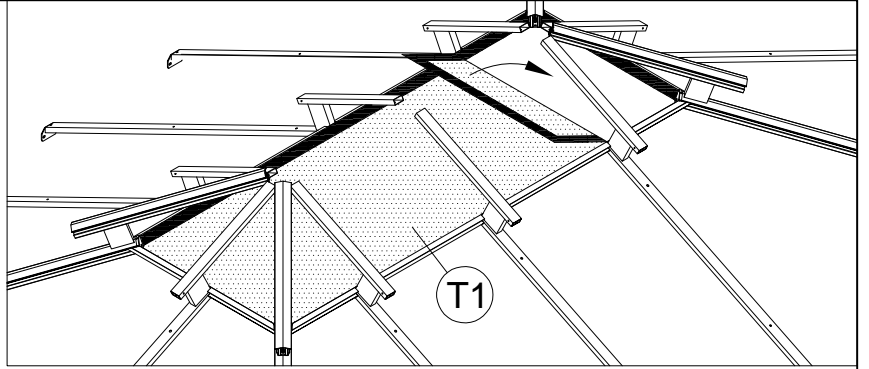


<24>

T1 1x



18x



Contact information

Austria



Belgium



Croatia



Denmark



Estonia



Finland



France



Germany



Ireland



Italy



Latvia



Lithuania



Nederland



Norway



Poland



Portugal



Spain



Sweden



Switzerland



UK

