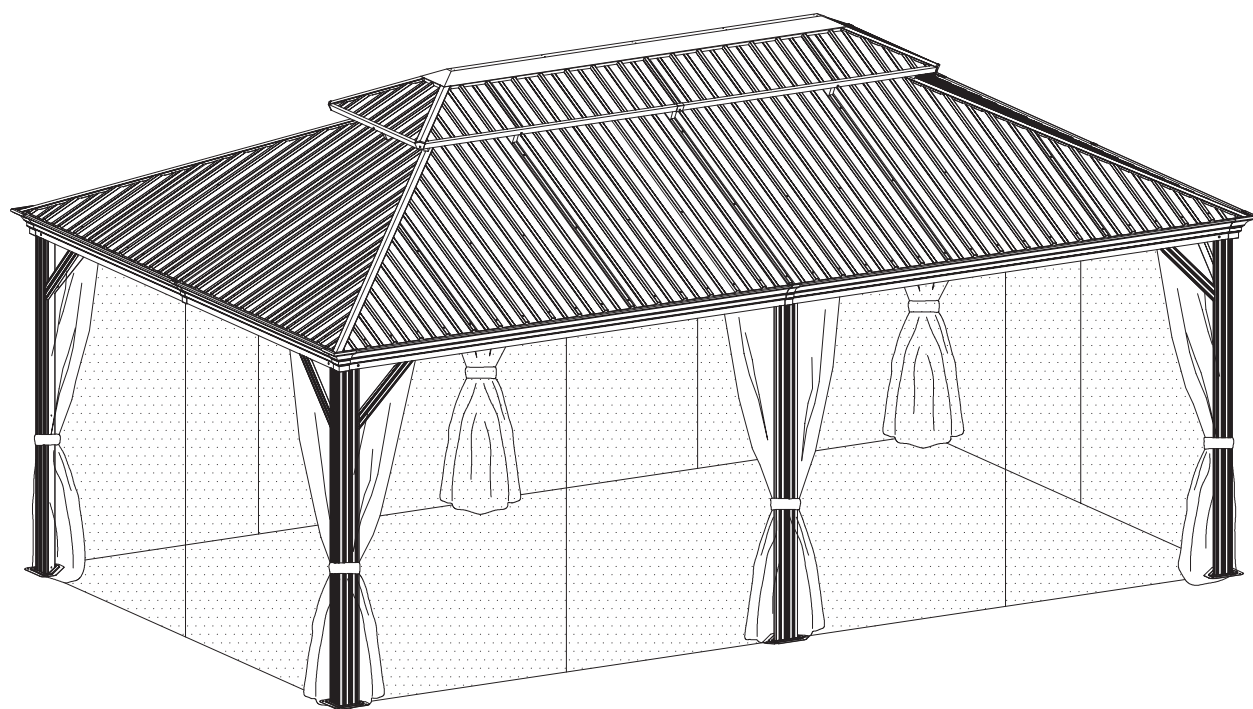


DANCOVER[®]



Manual
for
Gazebo 3,65x6m

3.65 x 6 M

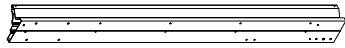




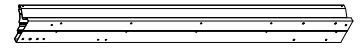
A 4x



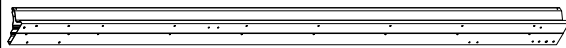
A1 2x



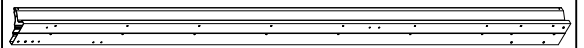
B 2x



B1 2x



B2 2x



B3 2x



C 2x



C1 2x



C2 2x



C3 2x



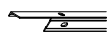
D 2x



D1 2x



D2 2x



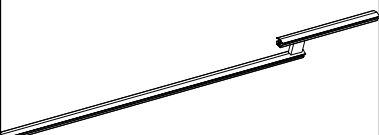
D3 2x



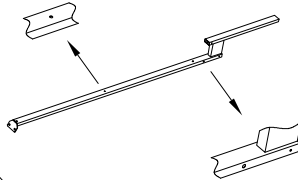
D4 2x



D5 2x











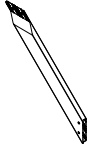
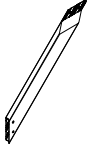
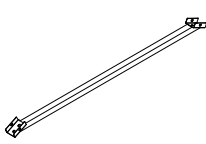
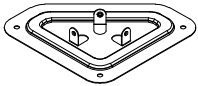
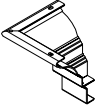
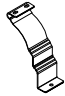
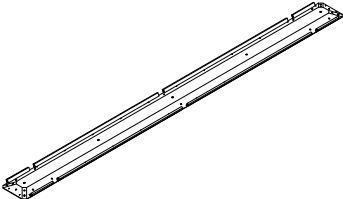
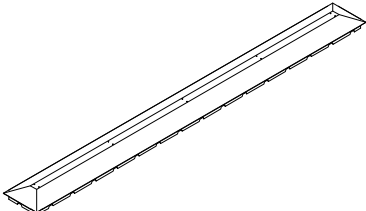

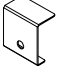
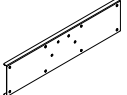
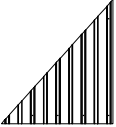
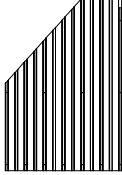
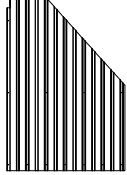
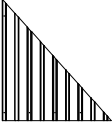
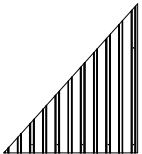
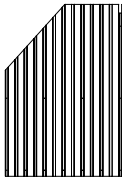
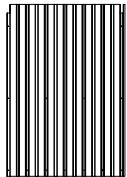
E 4x

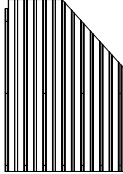
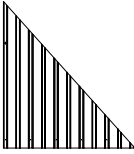
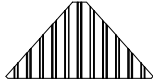
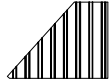
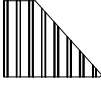

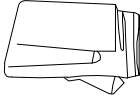
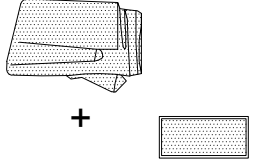

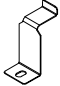
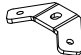


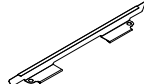


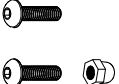





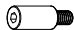


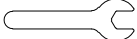


E1 4x



F 4x

 <p>F1 4x</p>	 <p>F2 4x</p>	 <p>G1 2x</p>	
 <p>G2 2x</p>		 <p>Q 2x</p>	
 <p>G3 2x</p>	 <p>G4 2x</p>	 <p>R 2x</p>	
 <p>H 4x</p>	 <p>H1 4x</p>	 <p>H2 3x</p>	 <p>J 6x</p>
 <p>K 4x</p>	 <p>K1 4x</p>	 <p>L 1x</p>	
 <p>M 1x</p>		 <p>N 8x</p>	 <p>N1 2x</p>
 <p>P 4x</p>	 <p>Q1 2x</p>	 <p>Q2 2x</p>	 <p>Q3 2x</p>
 <p>Q4 2x</p>	 <p>R1 2x</p>	 <p>R2 2x</p>	 <p>R3 4x</p>

			
R4 2x	R5 2x	S 2x	S1 2x
			
S2 2x	S3 4x	T 4x + 2x	T1 4x + 2x + 1x
			
U 152x	V 2x	W 4x	W1 8x
			
Y 152x	Z 76x	Z1 12x	
			
M6x15 1 299x	M6x23 16x + 96x	M5x12 3 4x	ST 4.8x12 4 24x
			
5 3x	M6x42 6 8x	M6x47 7 32x	8 8x
			
M6x50 9 6x	1x		
			
	1x		

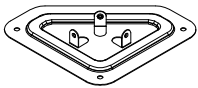
<1>



A 4x



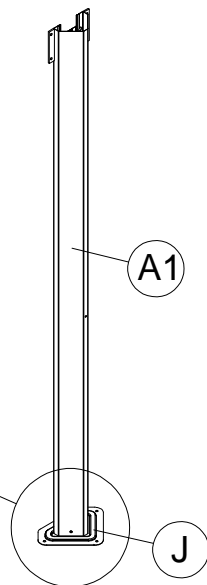
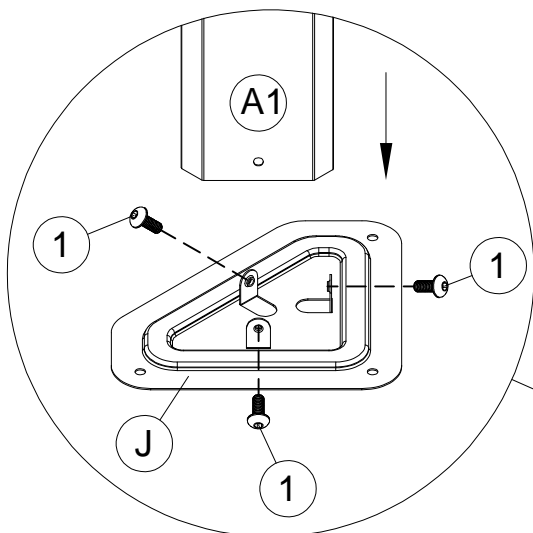
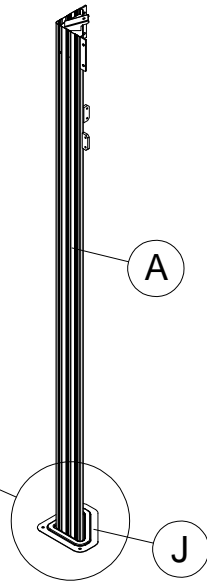
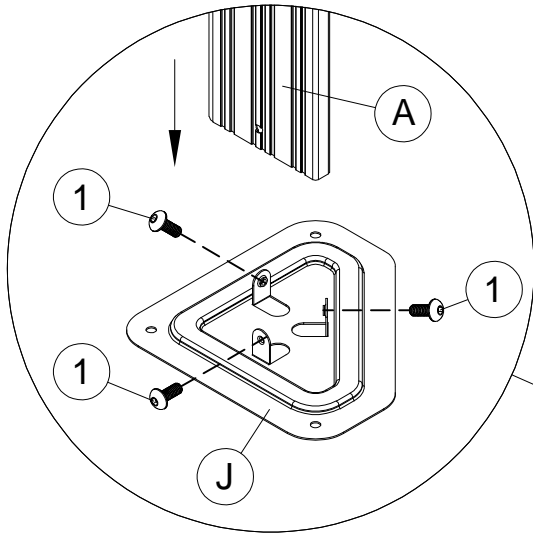
A1 2x



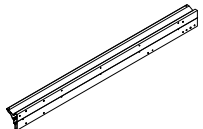
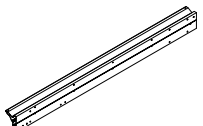
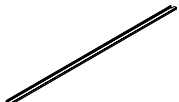



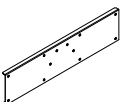

J 6x



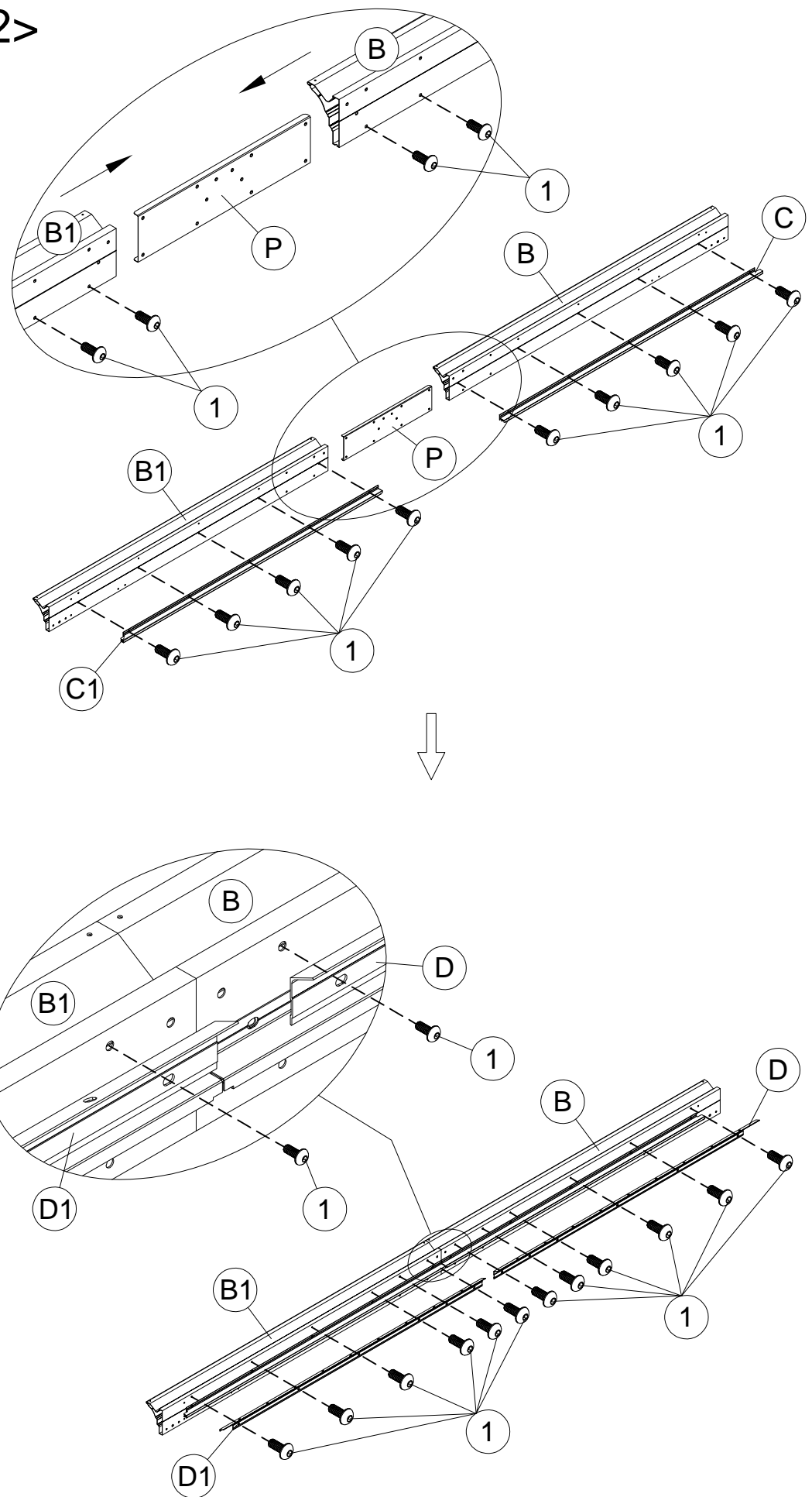
1 18x M6x15



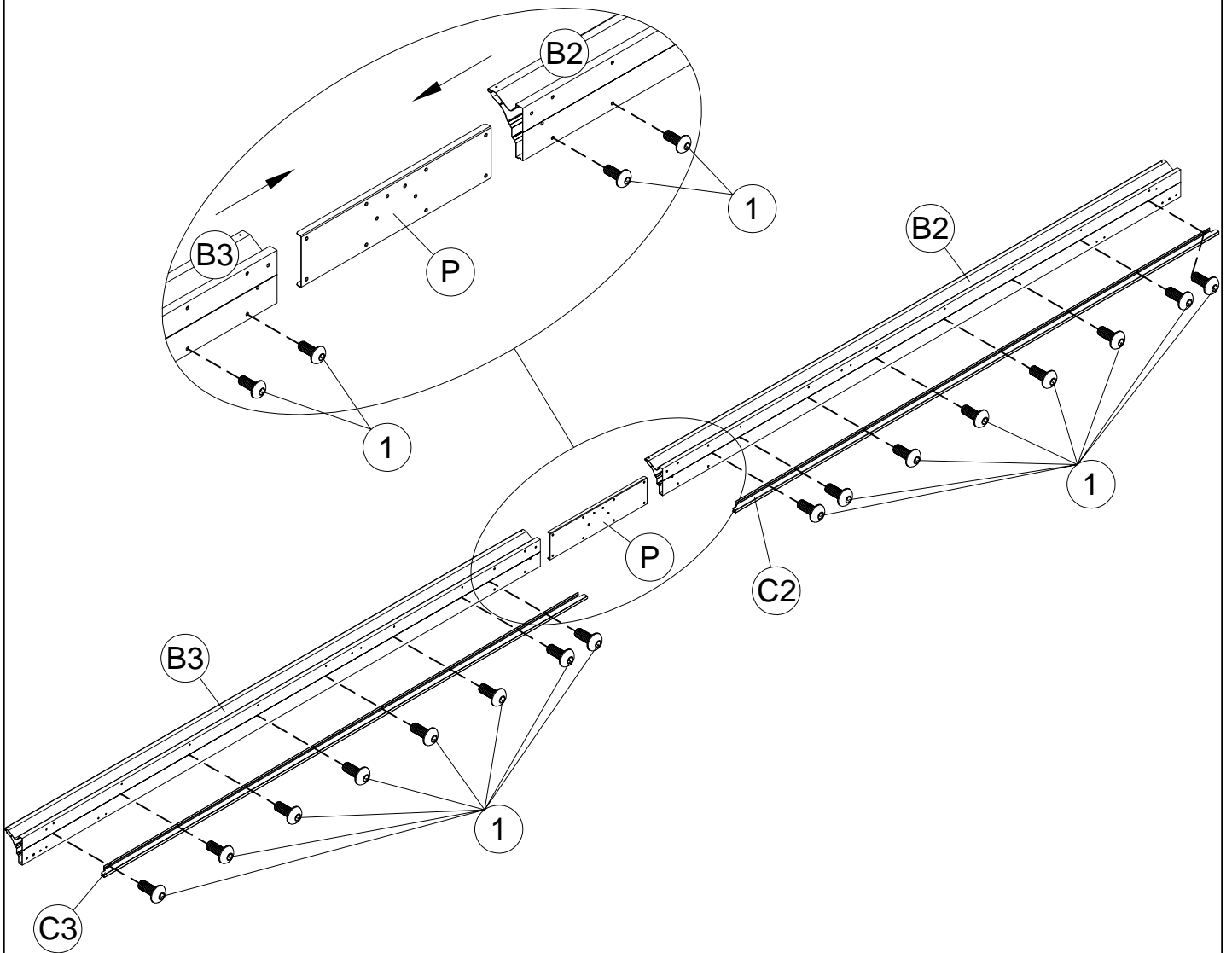
5

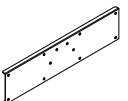

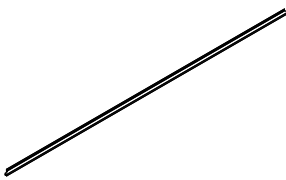
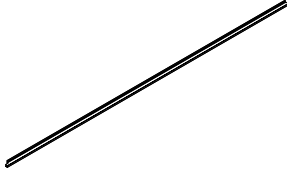
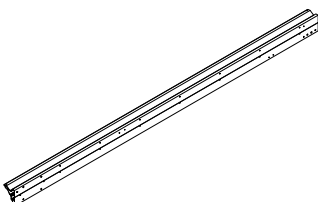
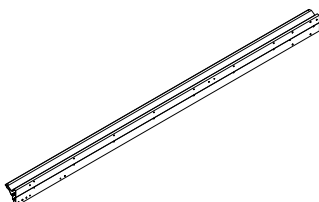
-  **B** 2x
-  **B1** 2x
-  **C** 2x
-  **C1** 2x
-  **D** 2x
-  **D1** 2x
-  **P** 2x
-  **1** 52x M6x15
- 6**

<2>

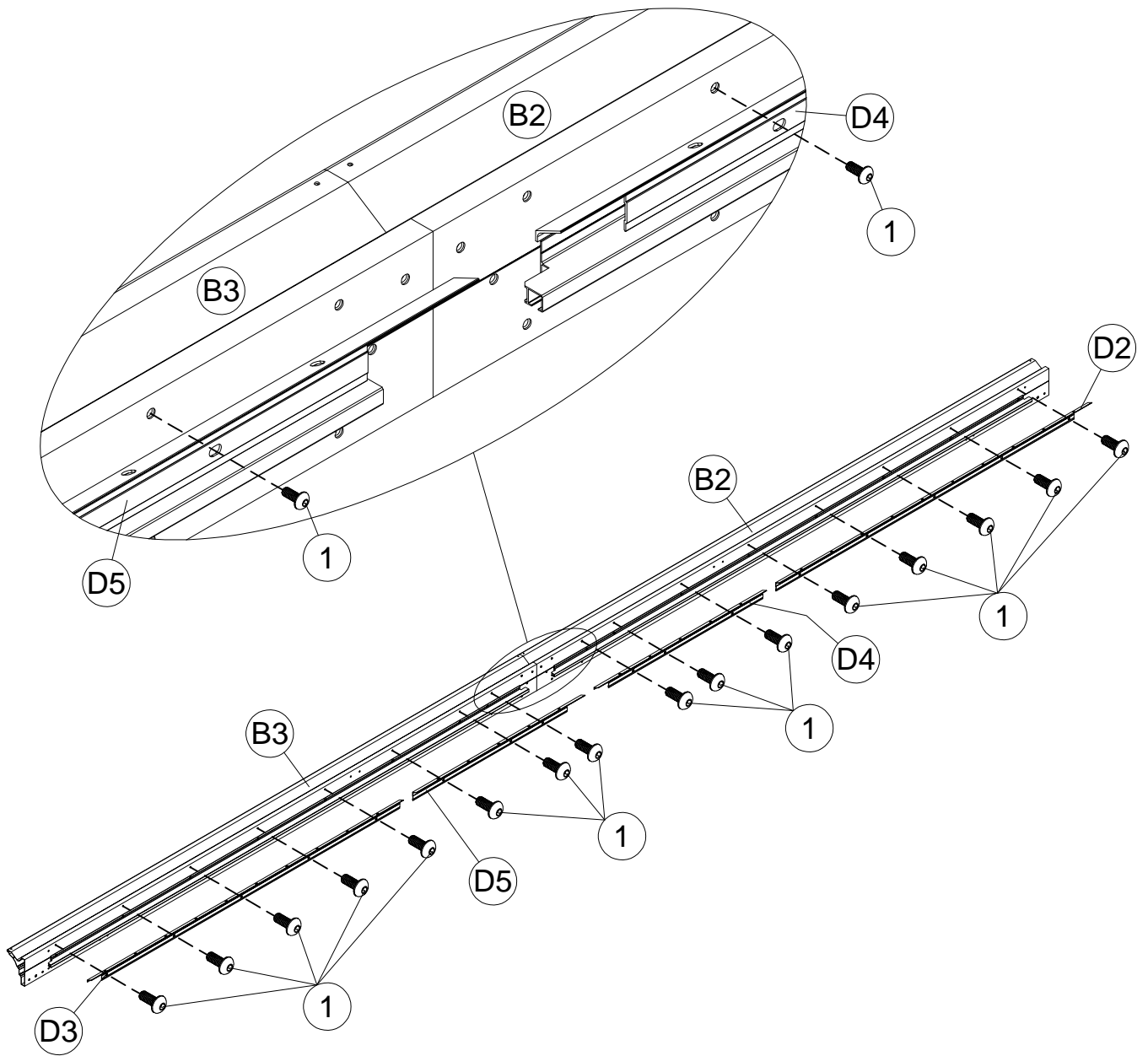







<3>



 P 2x		
 1 40x M6x15	 C2 2x	 C3 2x
7	 B2 2x	 B3 2x

<4>



 ① 32 M6x15	 D4 2x	 D5 2x
8	 D2 2x	 D3 2x

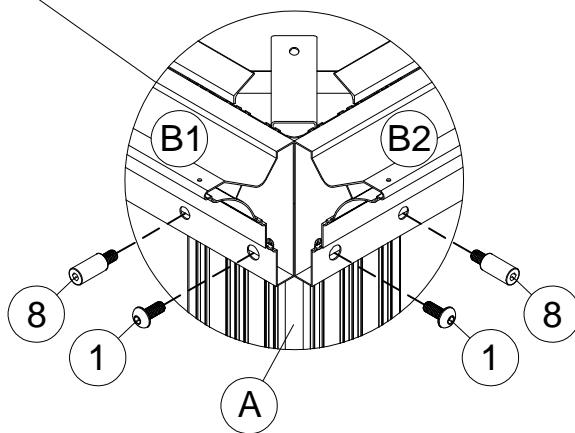
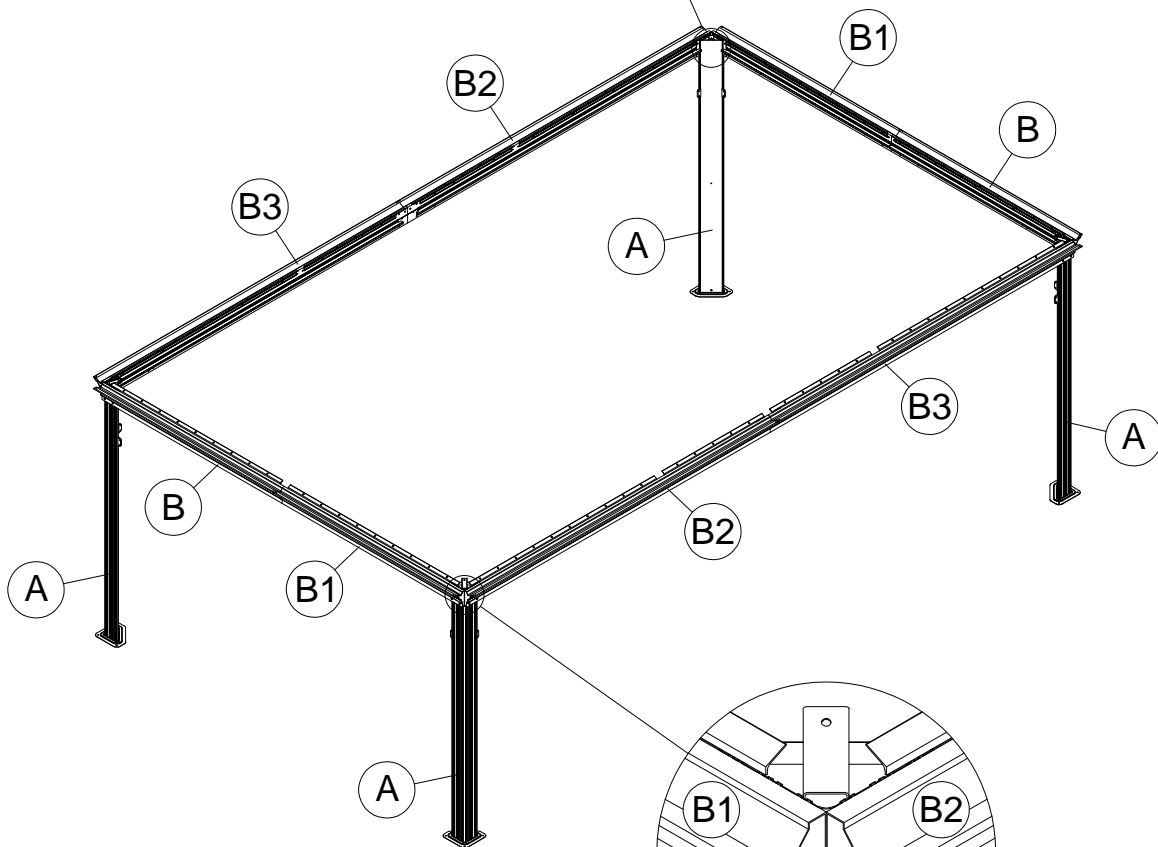
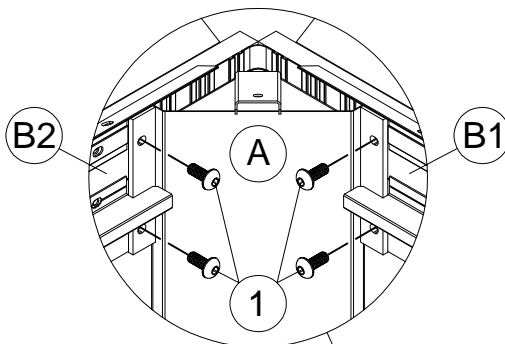


<5>

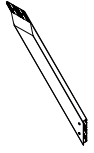
1 M6x15
24x



8 8x



9



H 4x

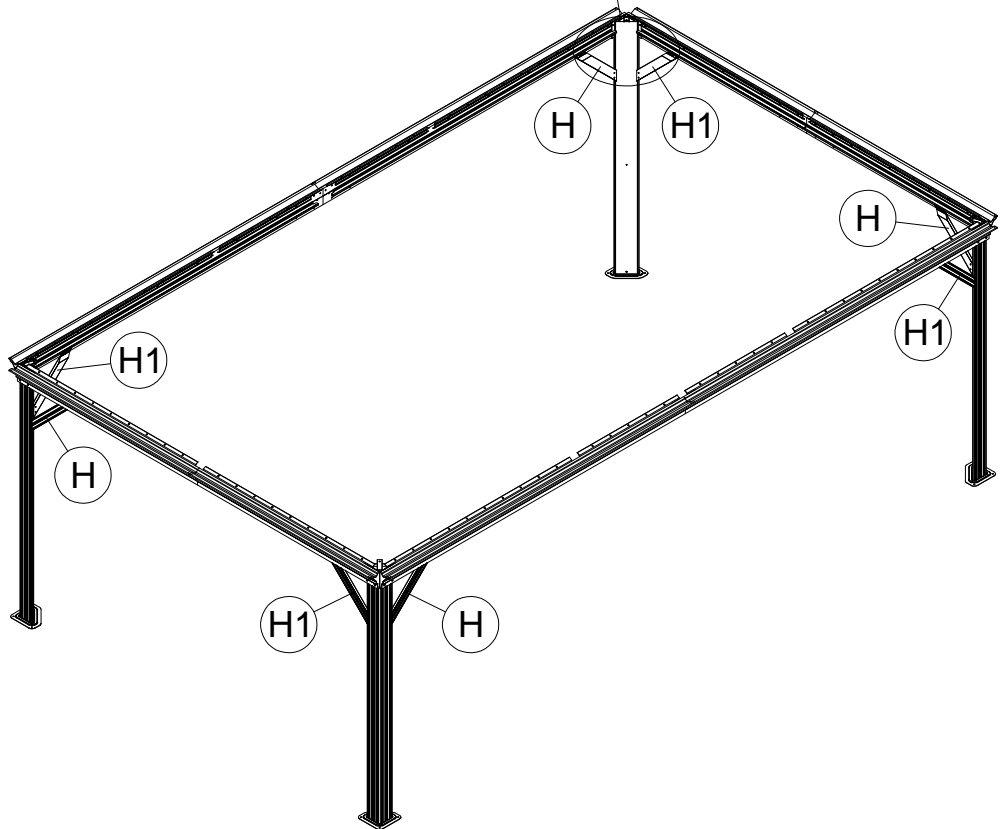
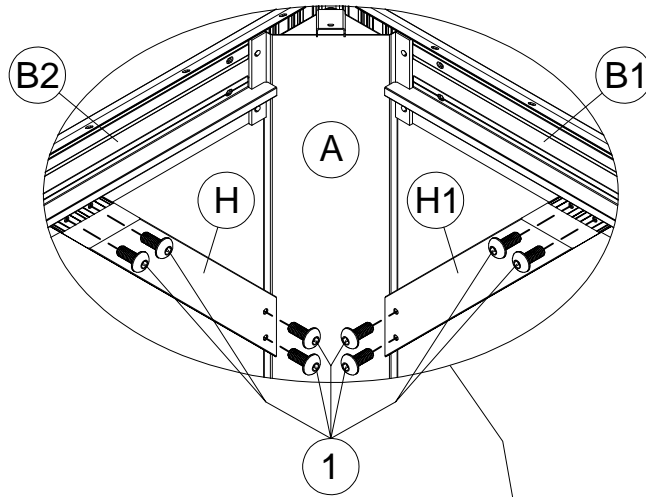


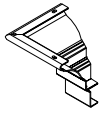
H1 4x



1 M6x15
32x

<6>





(K) 4x



(K1) 4x



(U) 152x



(V) 2x

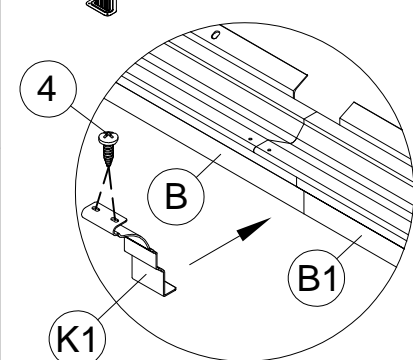
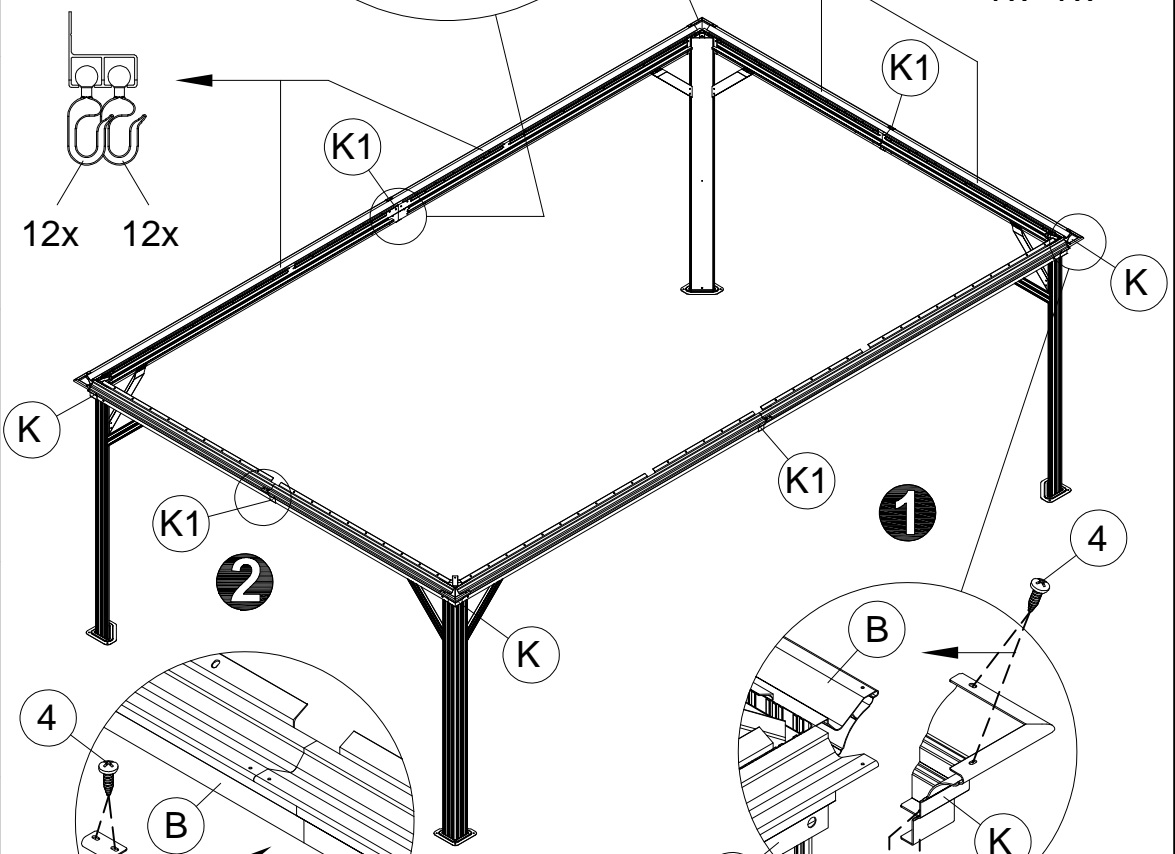
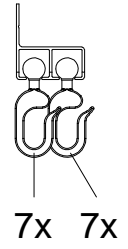
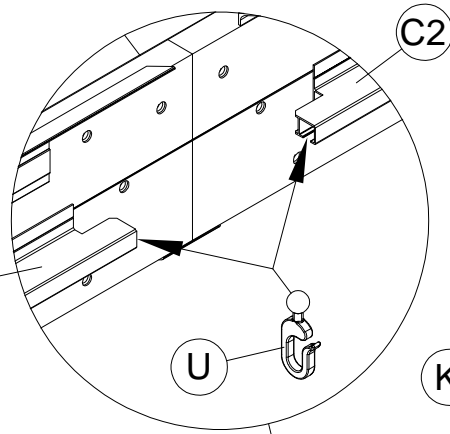


(3) 4x M5x12

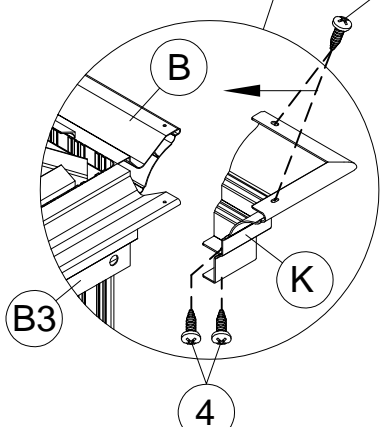


(4) 24x ST4.8x12

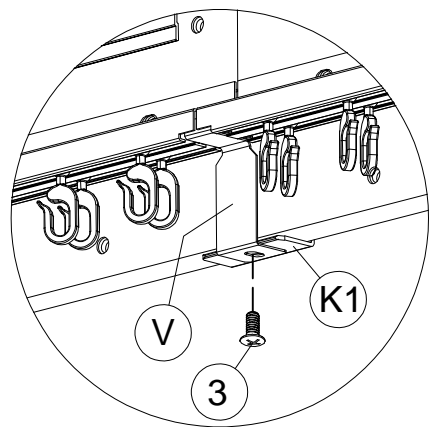
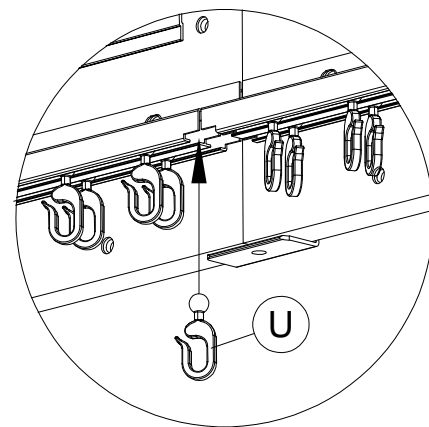
<7>



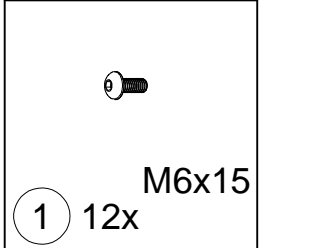
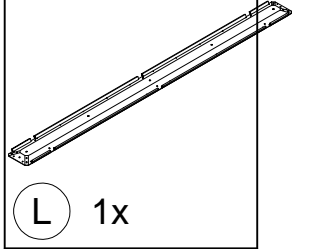
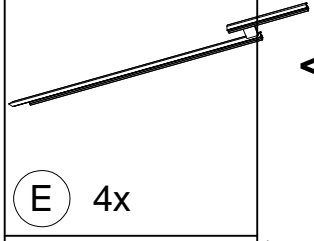
3



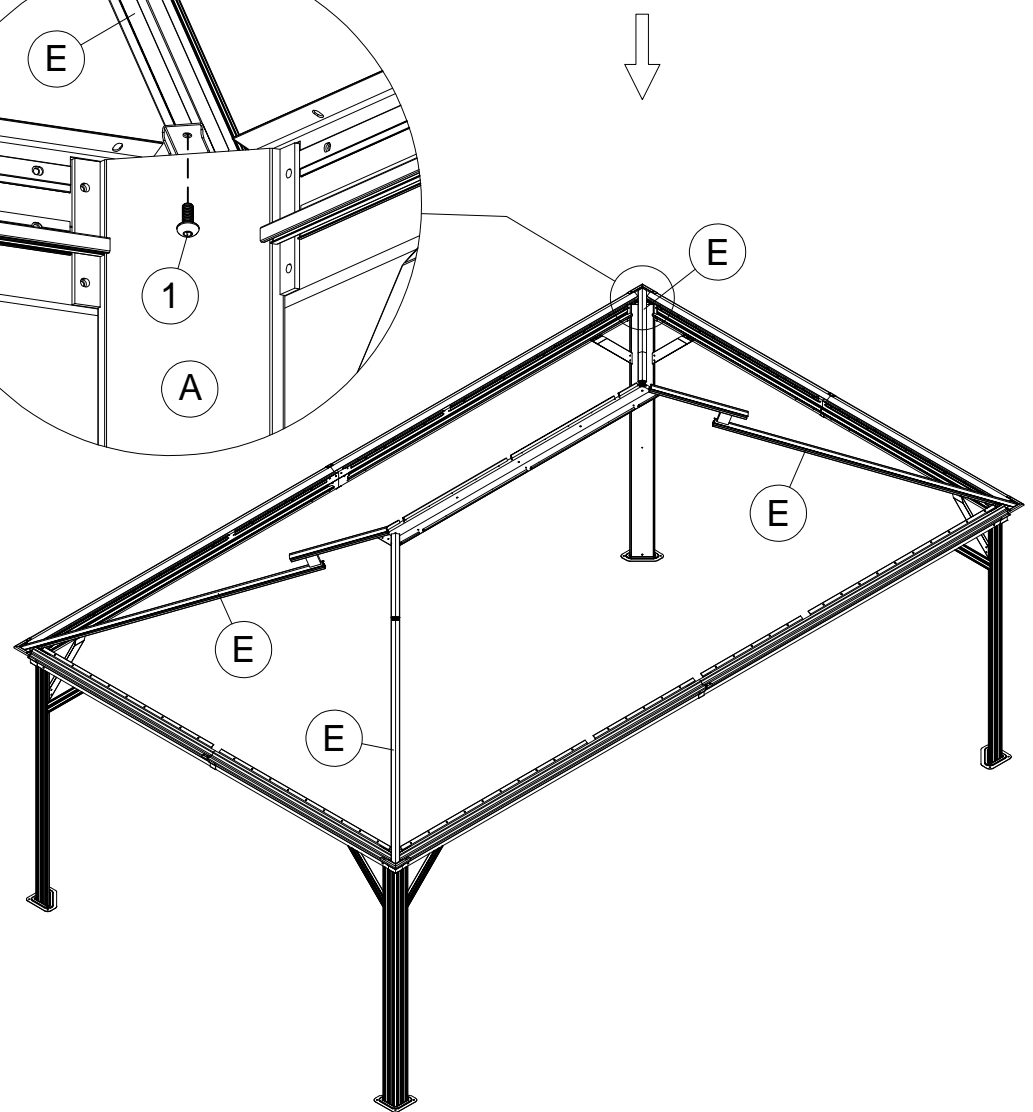
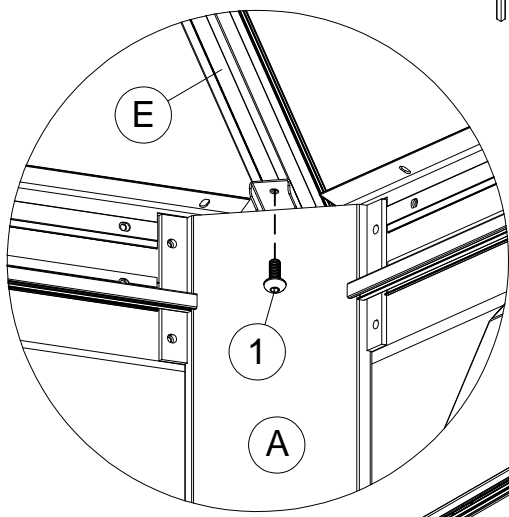
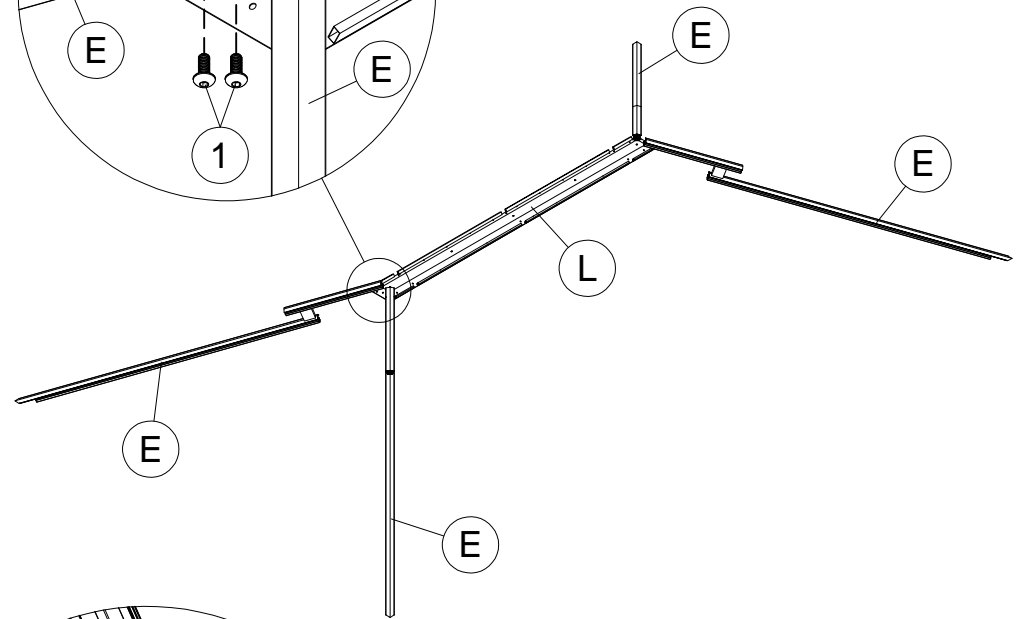
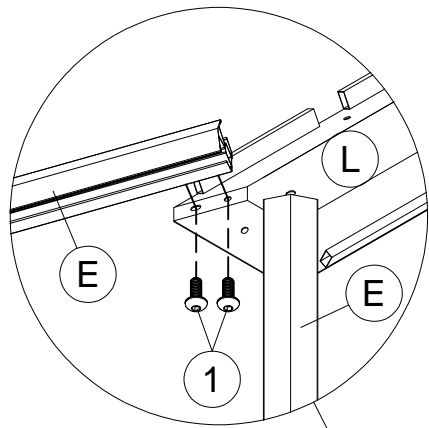
4

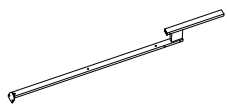


11



<8>



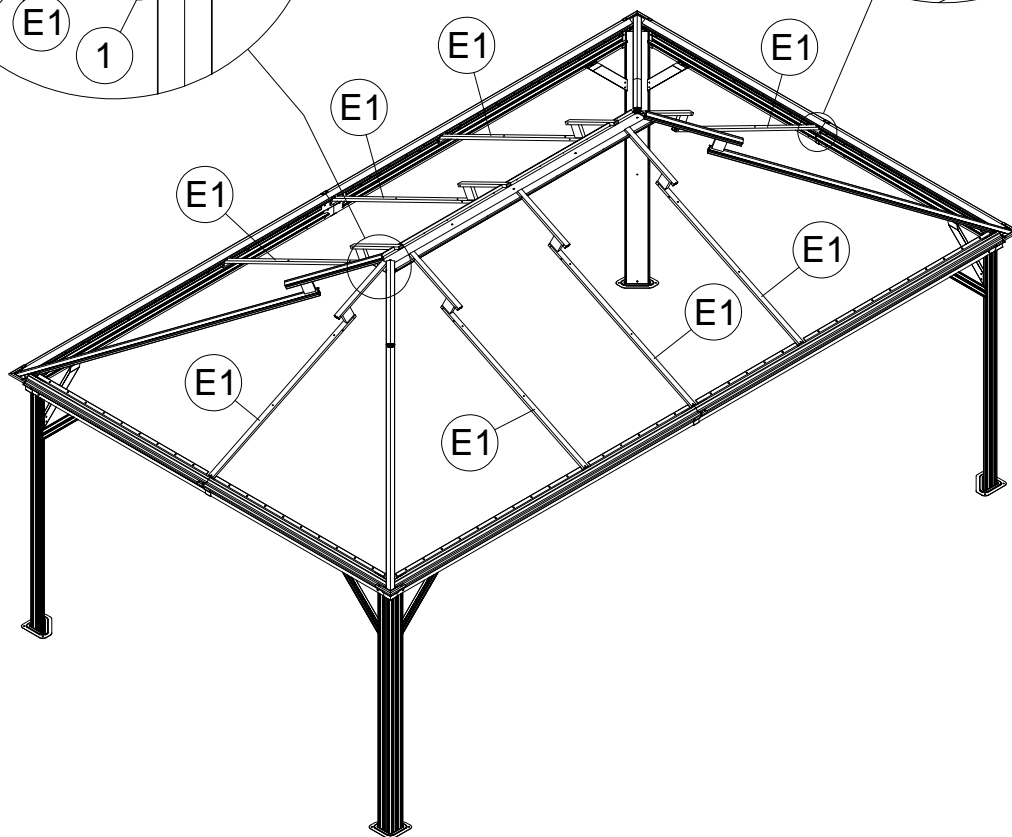
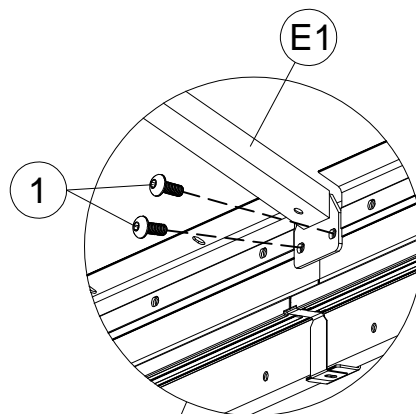
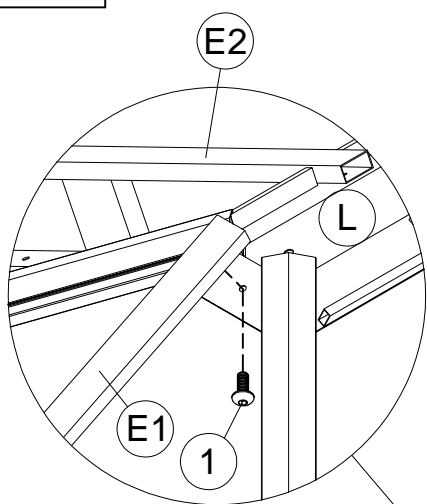


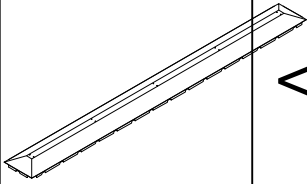
<9>

E1 8x



1 24x M6x15



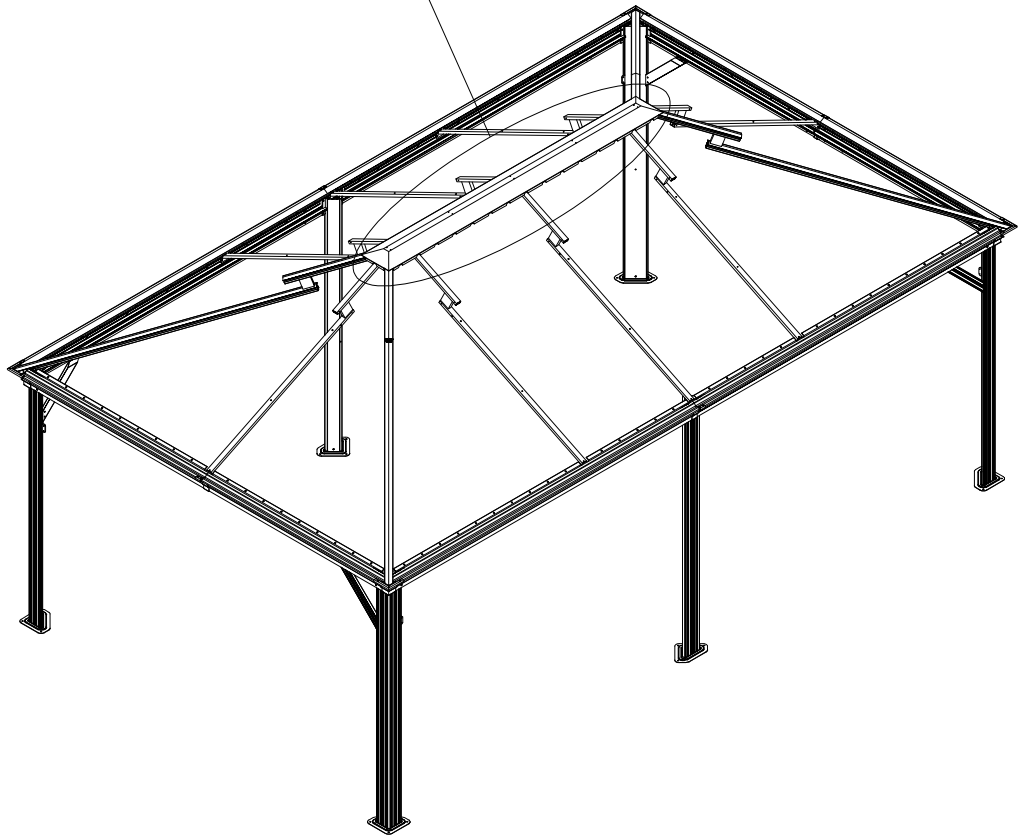
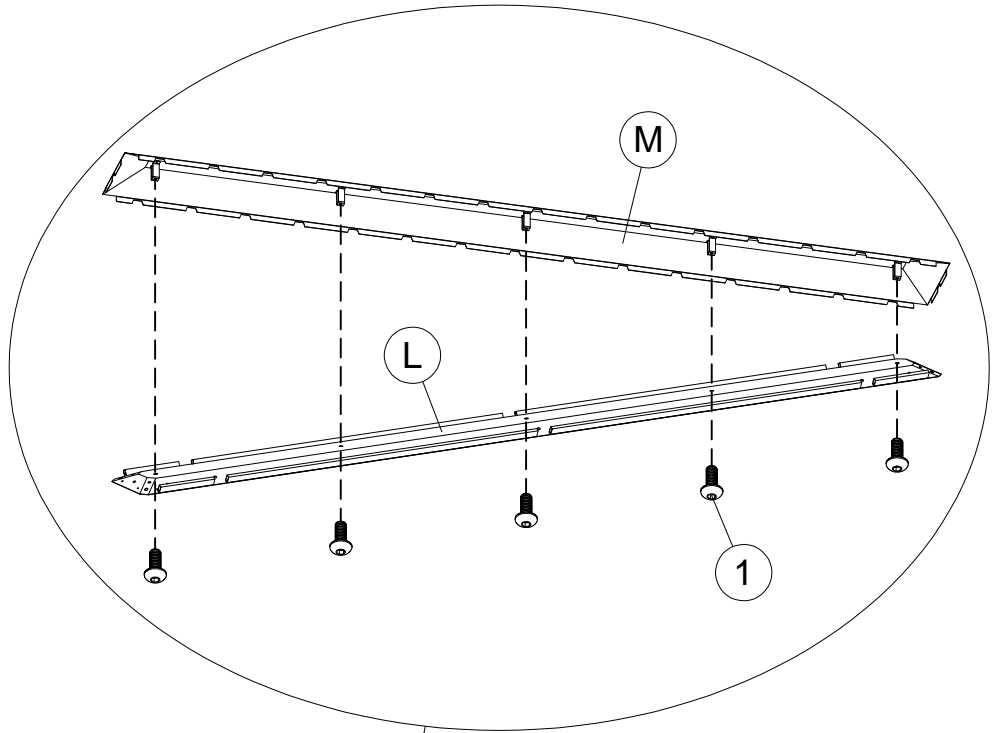


<10>

M 1x



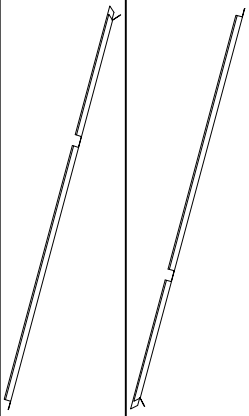
1 M6x15
5x





<11>

G3 2x



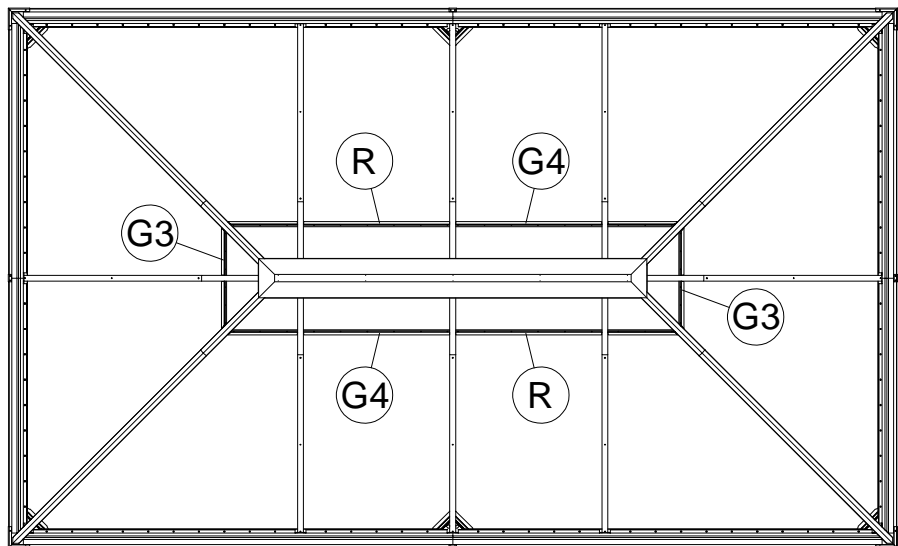
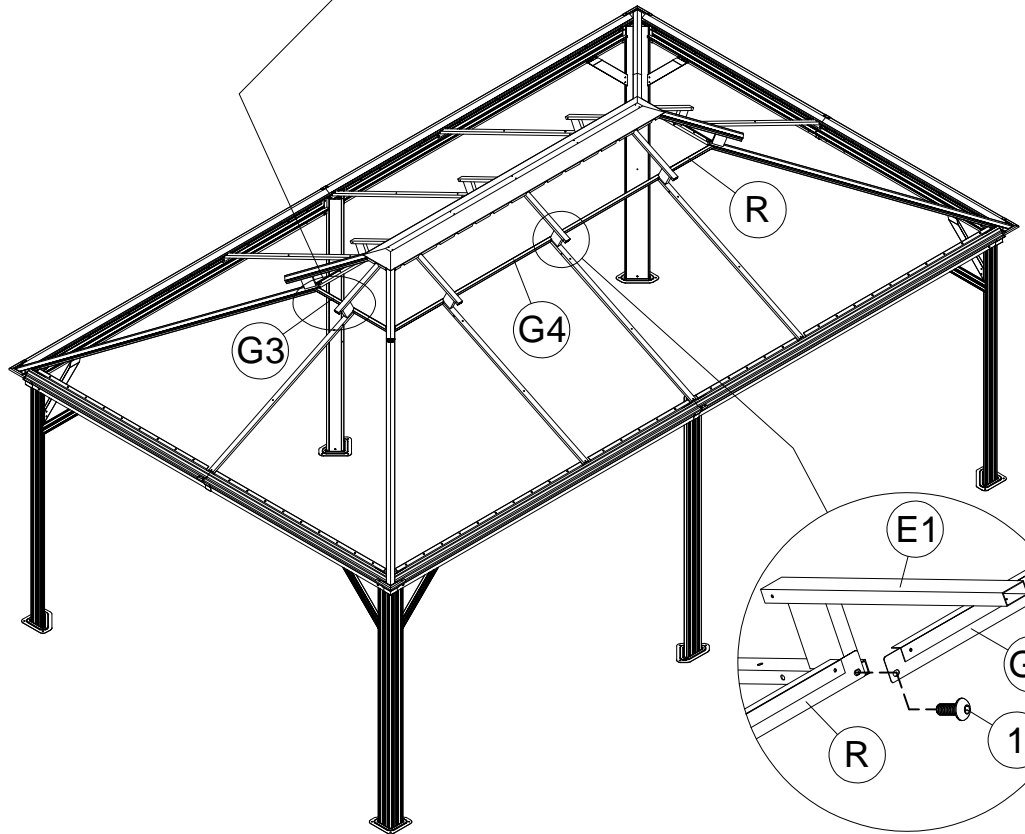
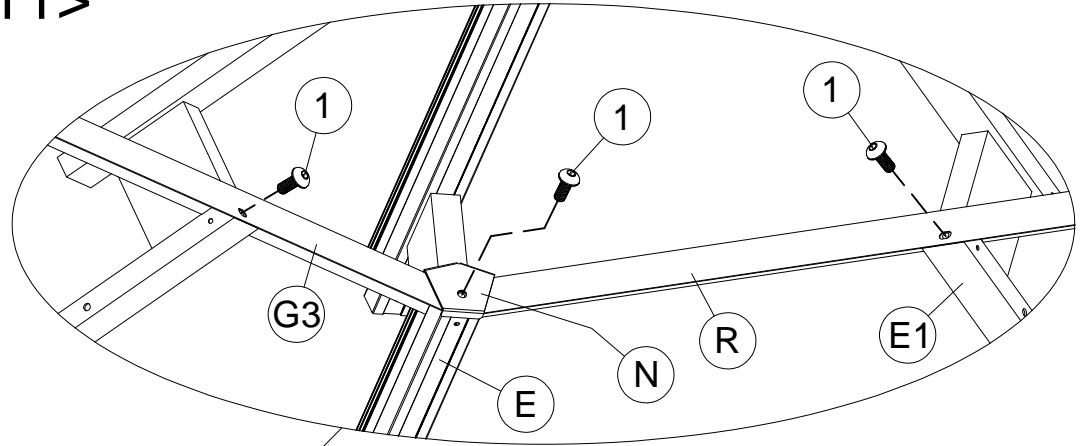
G4 2x R 2x



N 4x

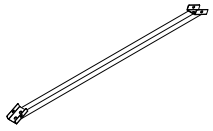


1 12x M6x15



15

<12>



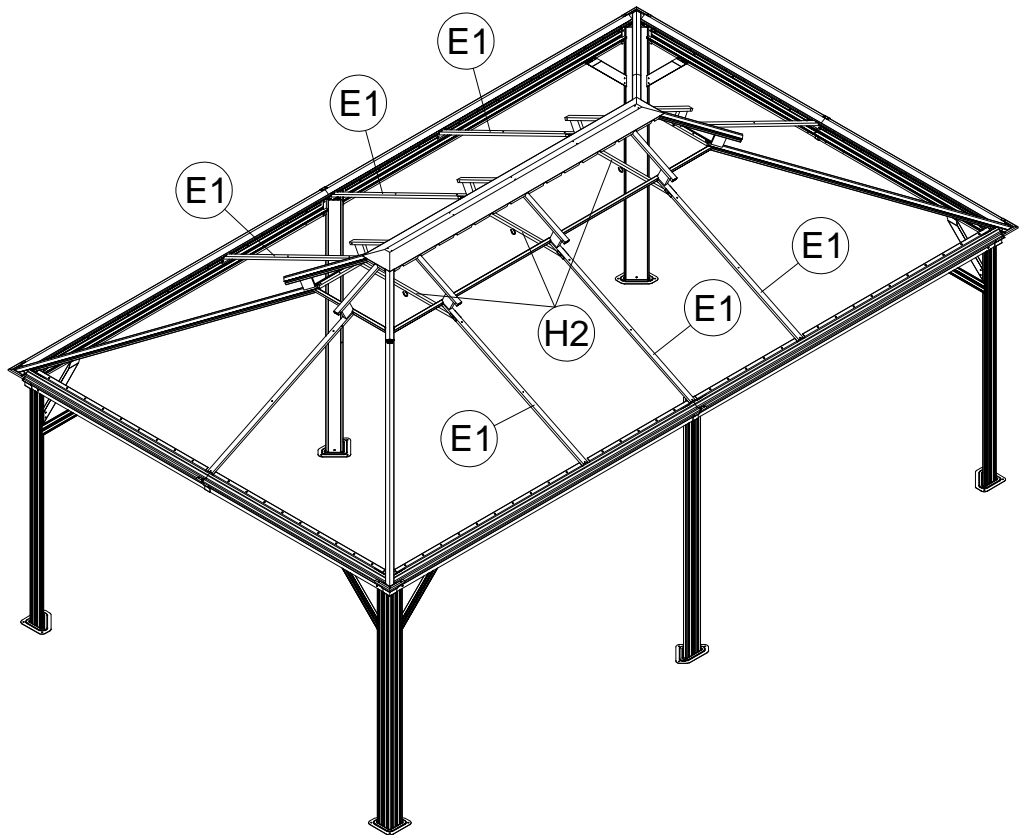
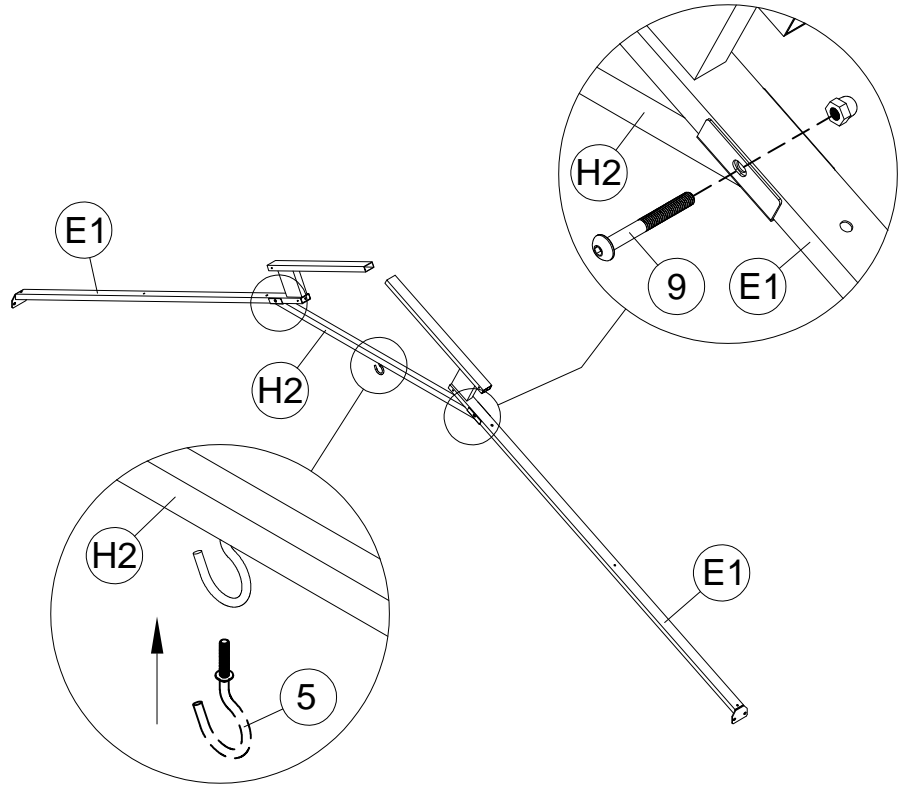
H2 3x



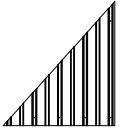
5 3x



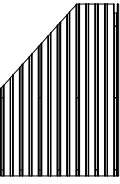
9 6x M6x50



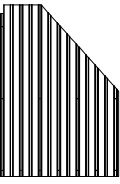
<13>



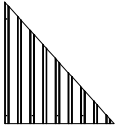
Q1 2x



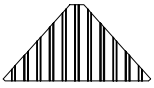
Q2 2x



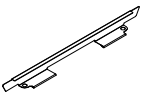
Q3 2x



Q4 2x



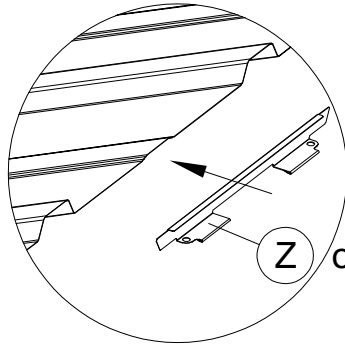
S 2x



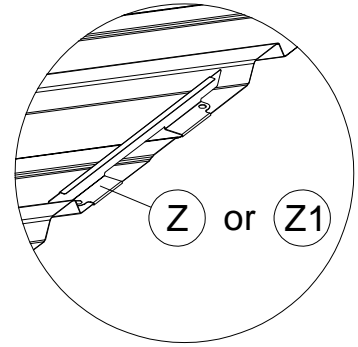
Z 36x



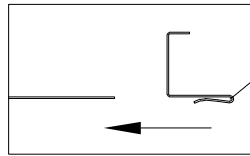
Z1 8x



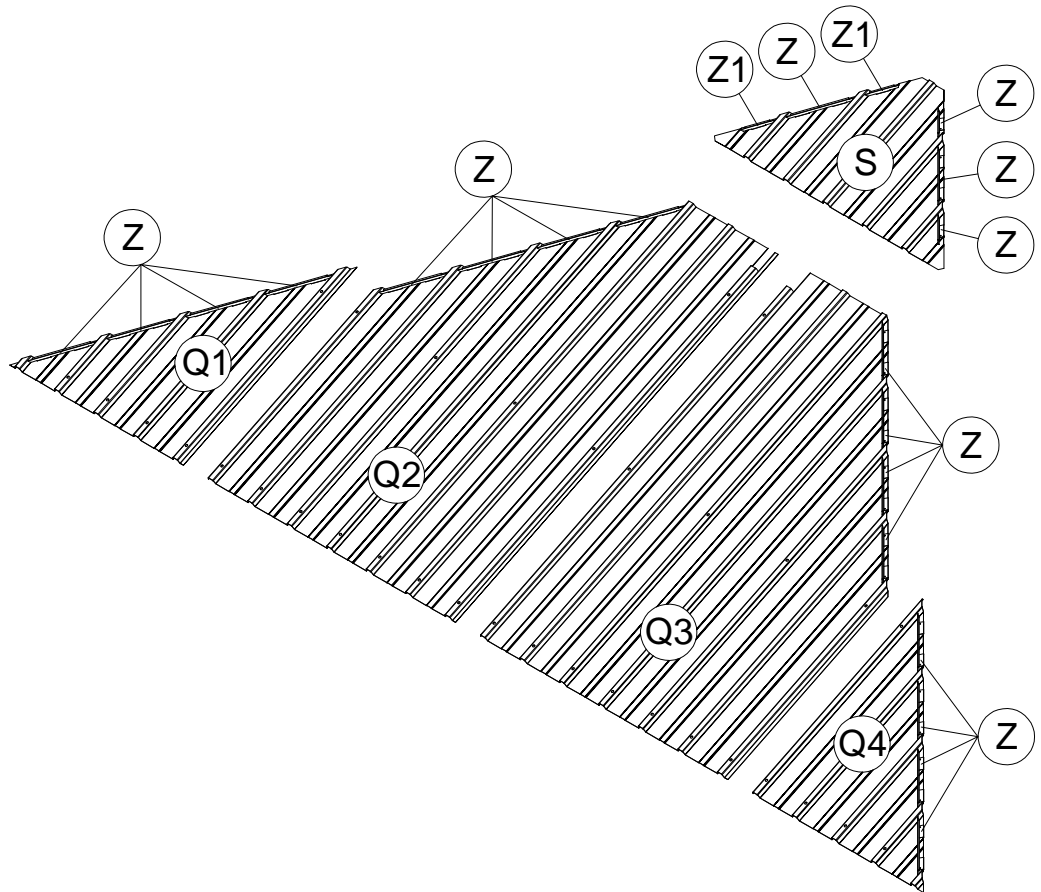
Z or Z1



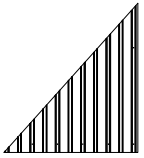
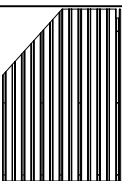
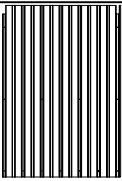
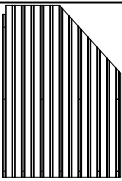
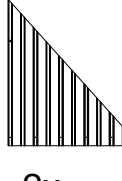
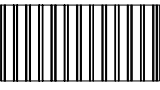
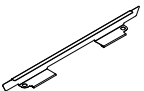

Z or Z1

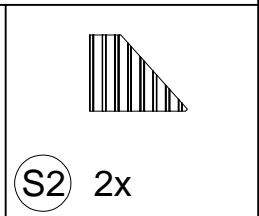
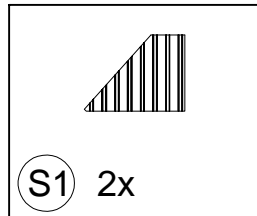
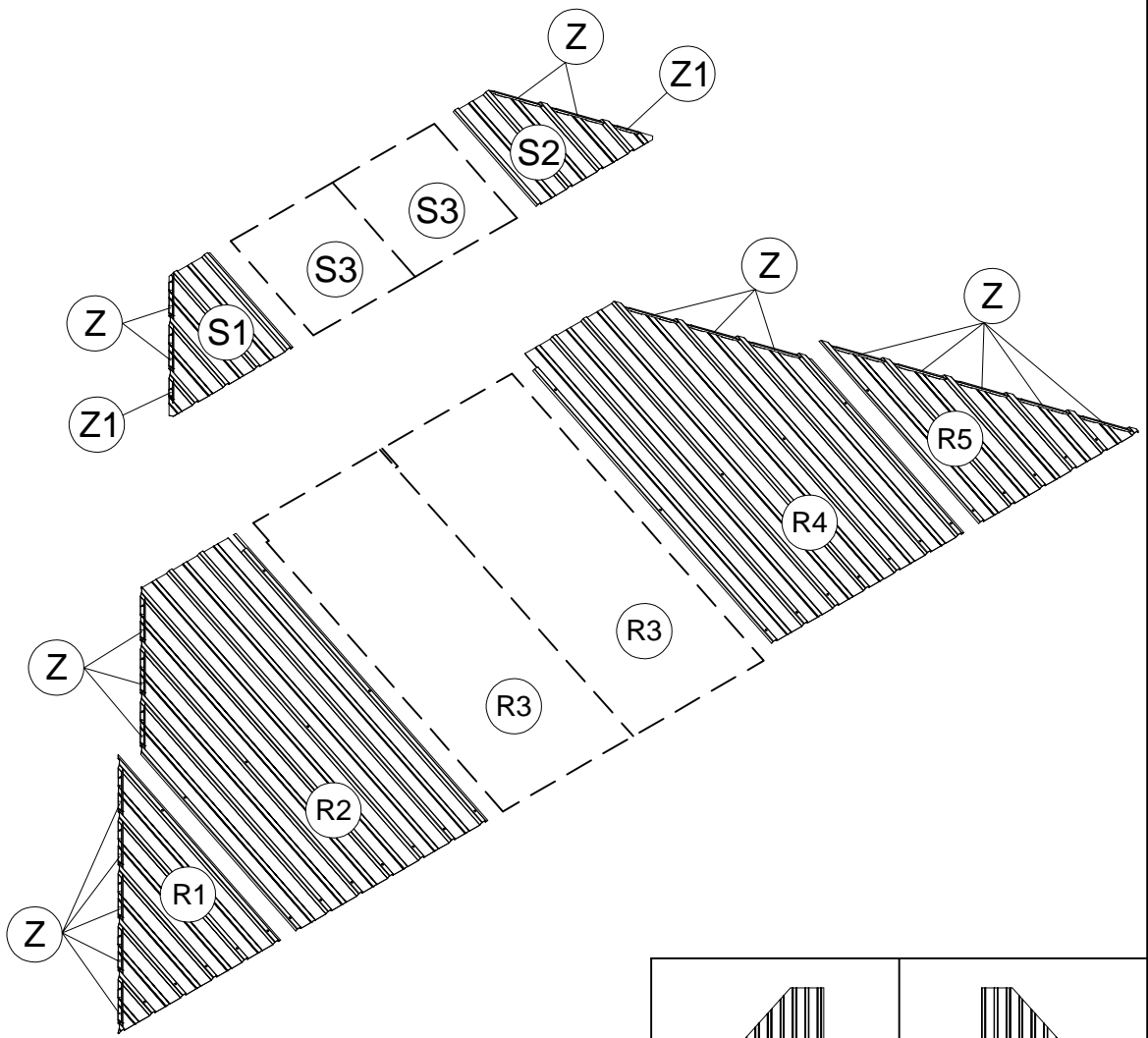
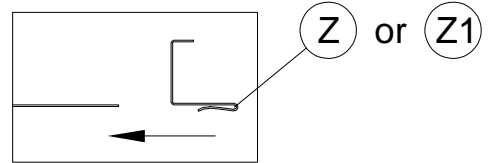
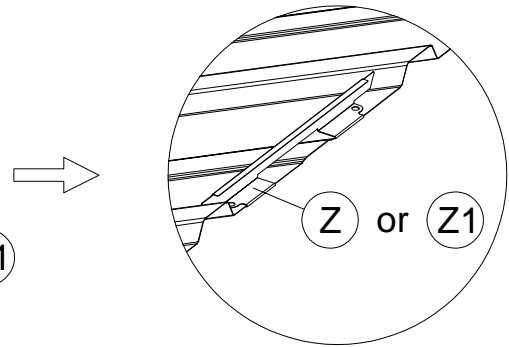
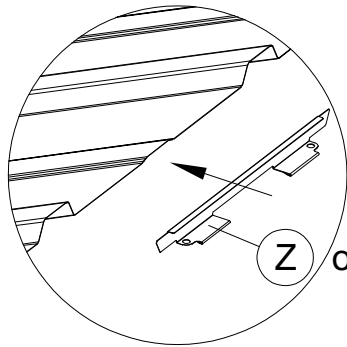


Z or Z1

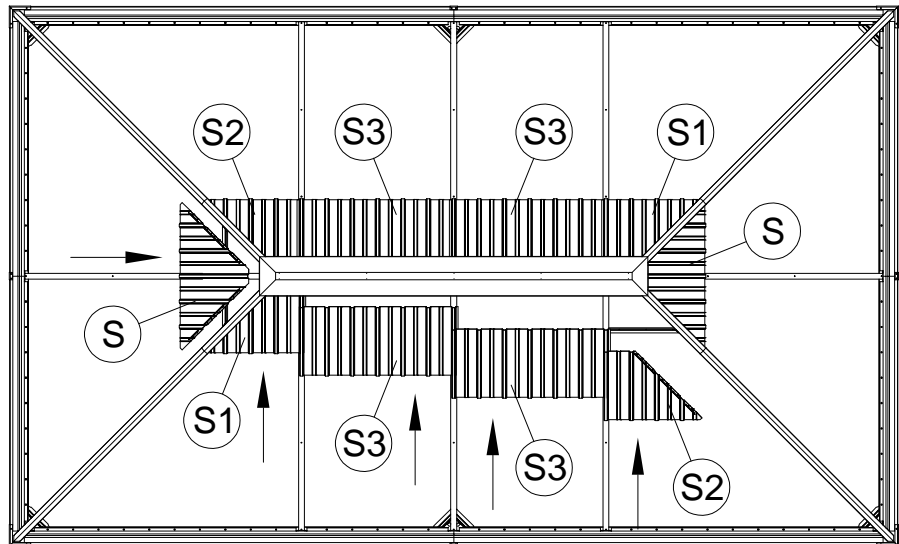
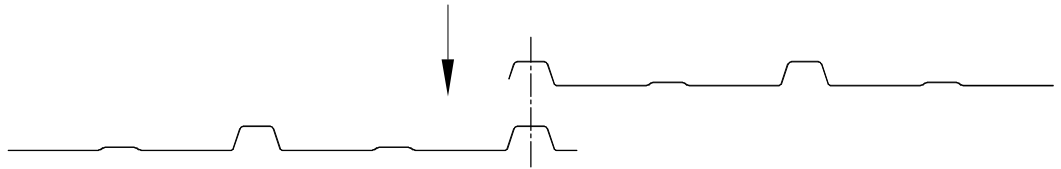
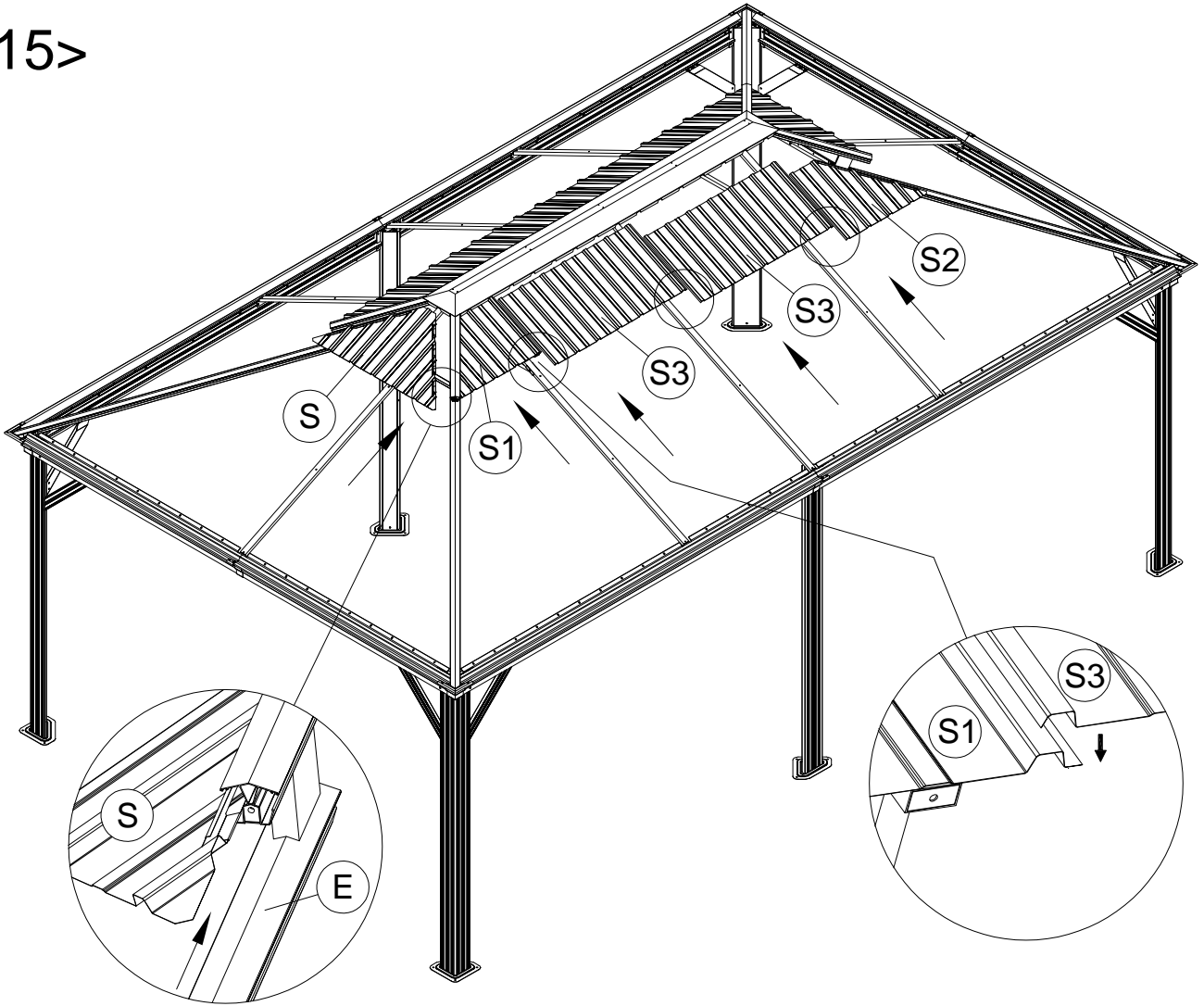


<14>


R1 2x

R2 2x

R3 4x

R4 2x

R5 2x

S3 4x

Z 40x

Z1 4x
18

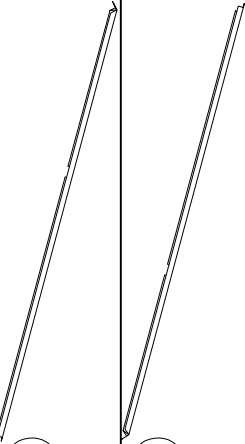


<15>



<16>

G1 2x



G2 2x Q 2x



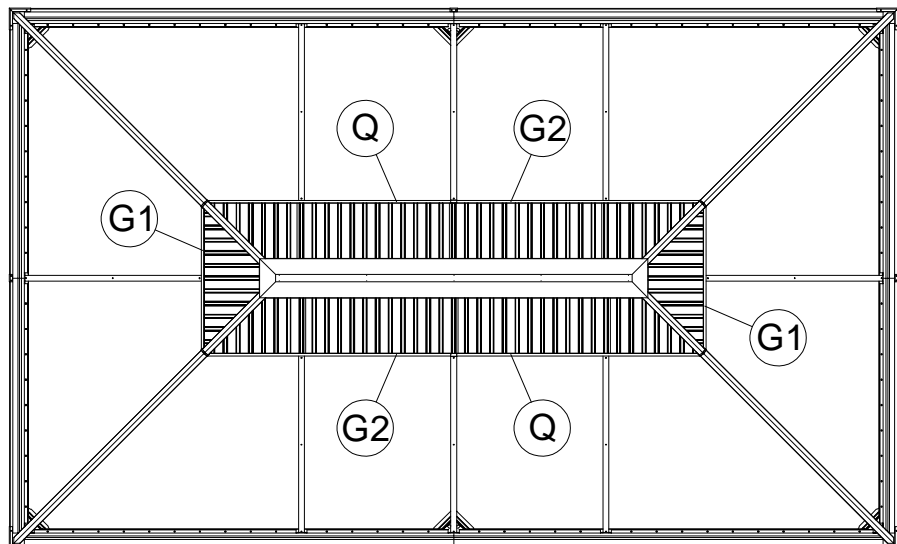
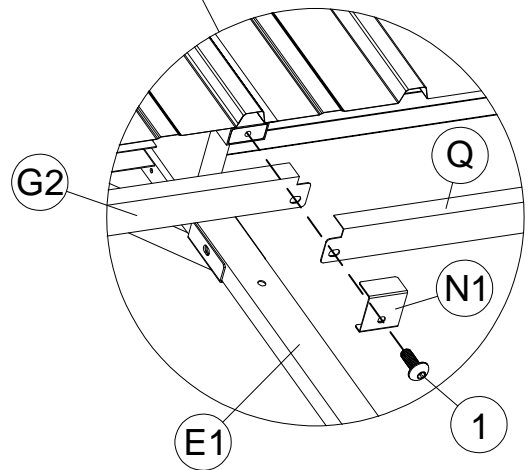
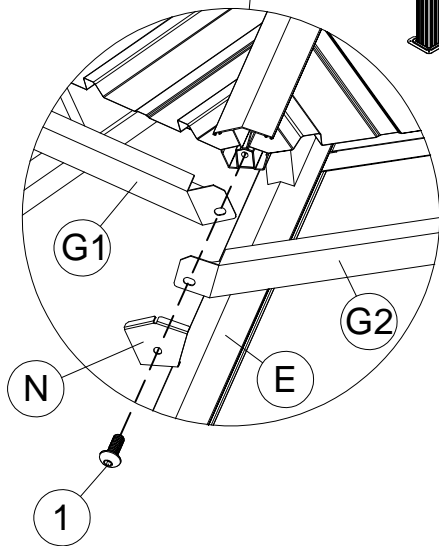
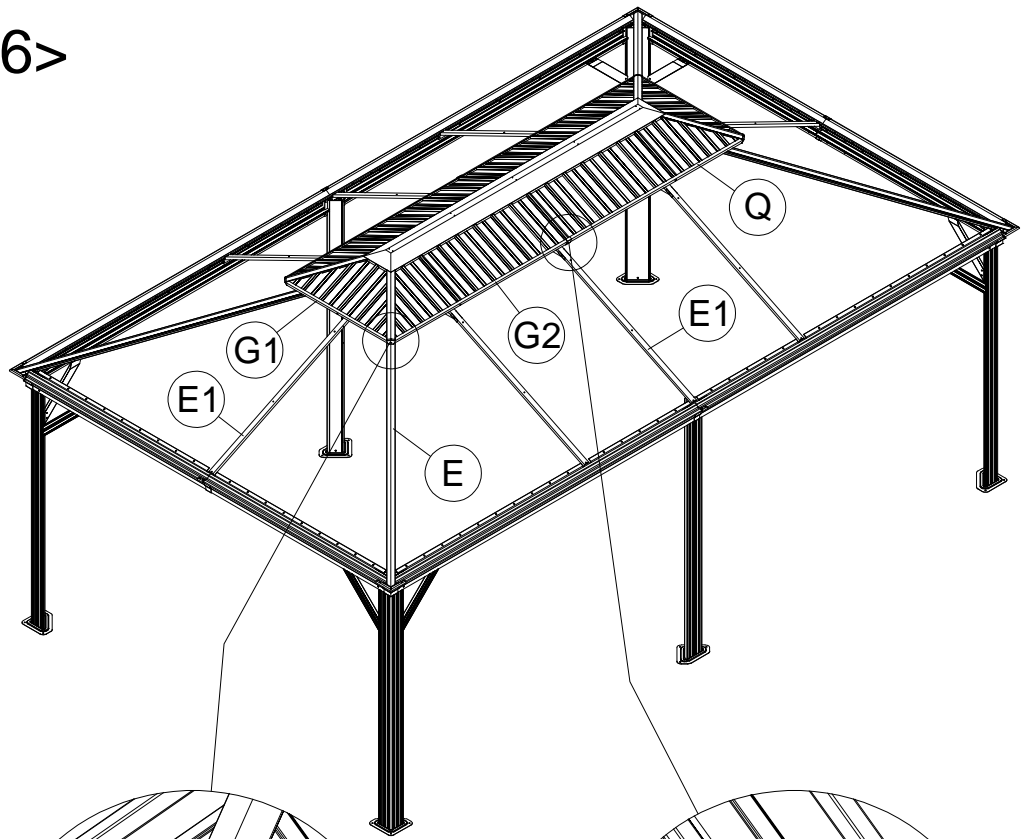
N 4x



N1 2x



1 12x M6x15



20

<17>

F 4x

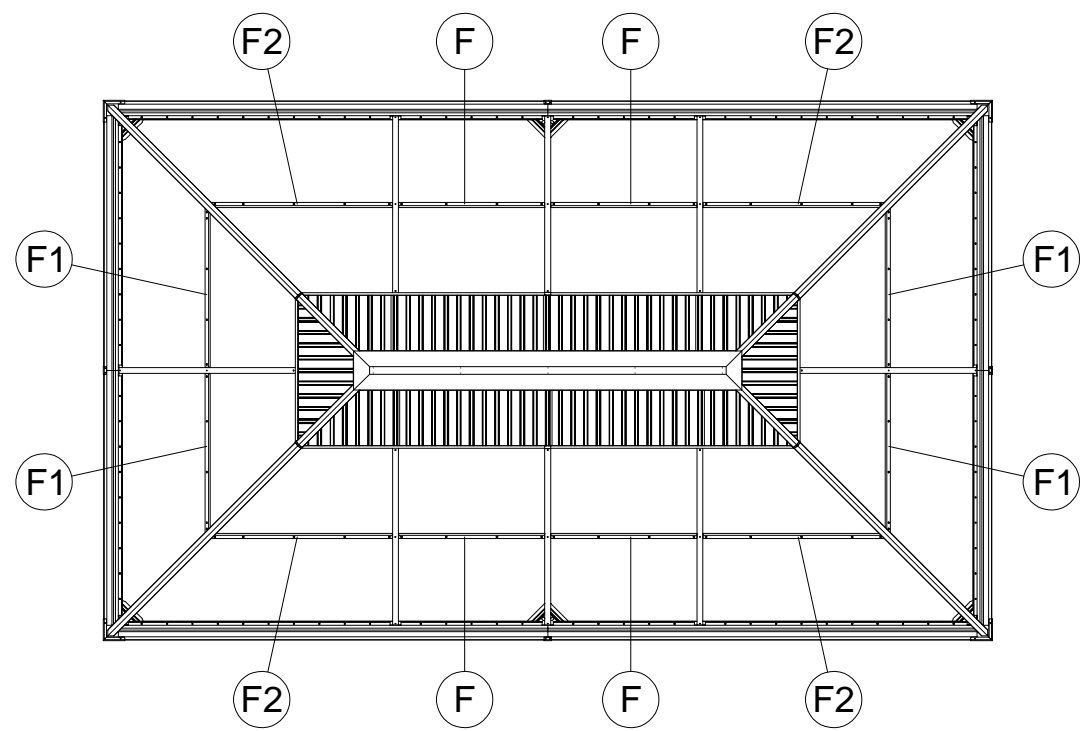
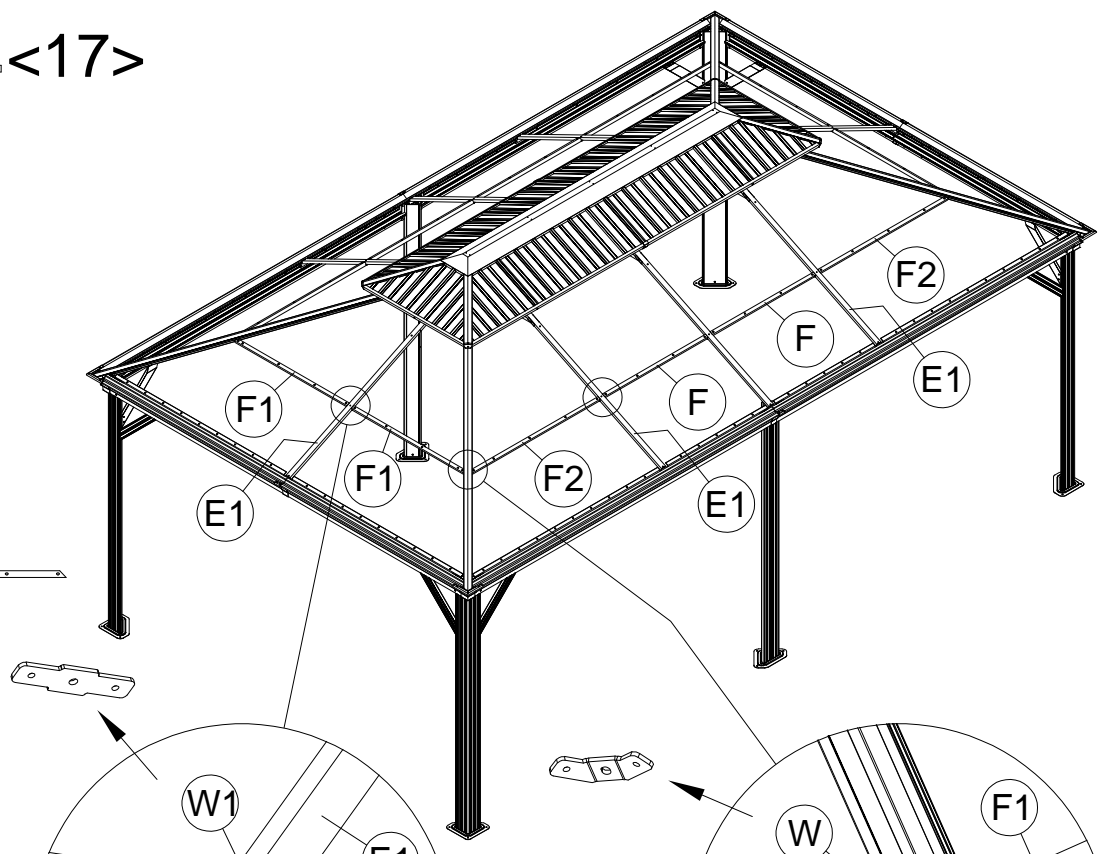
F1 4x

F2 4x

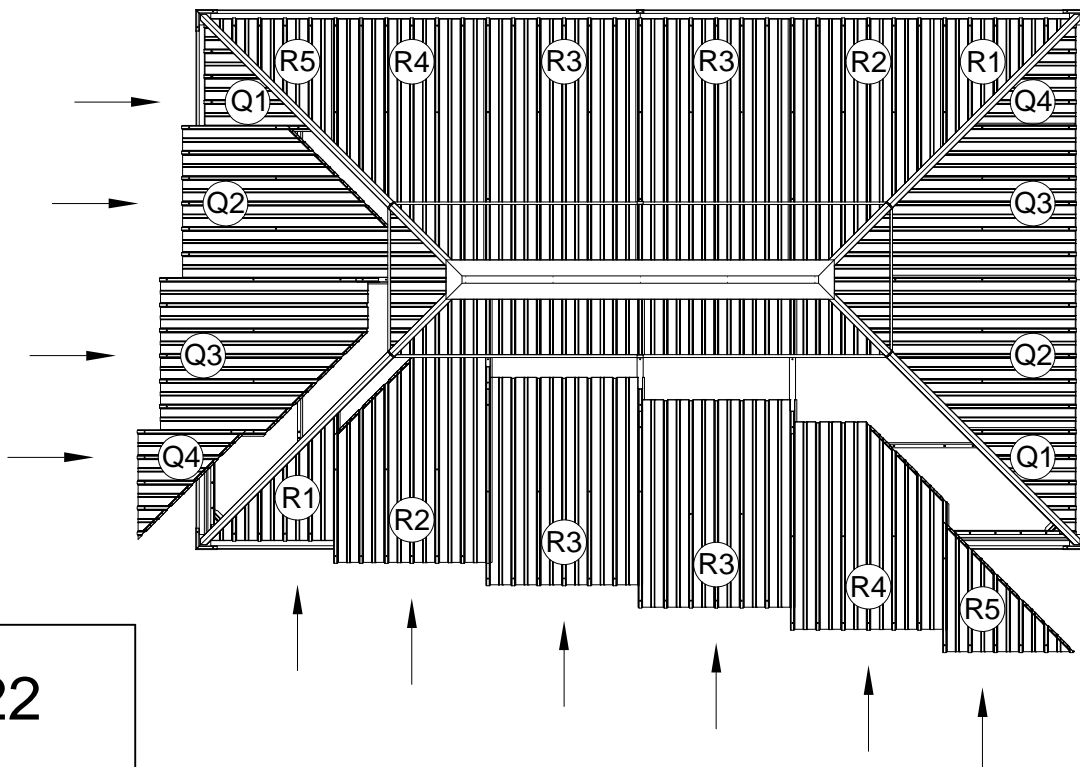
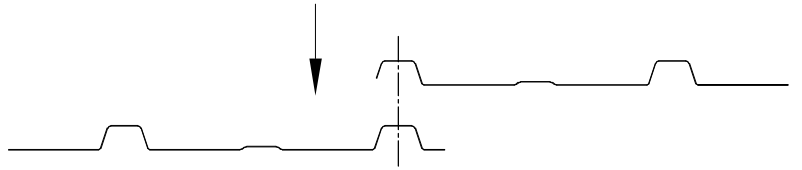
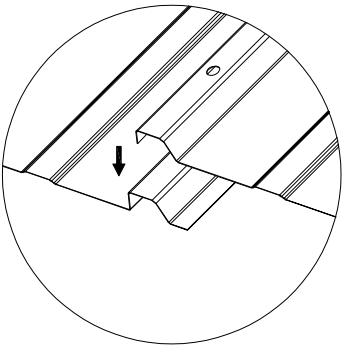
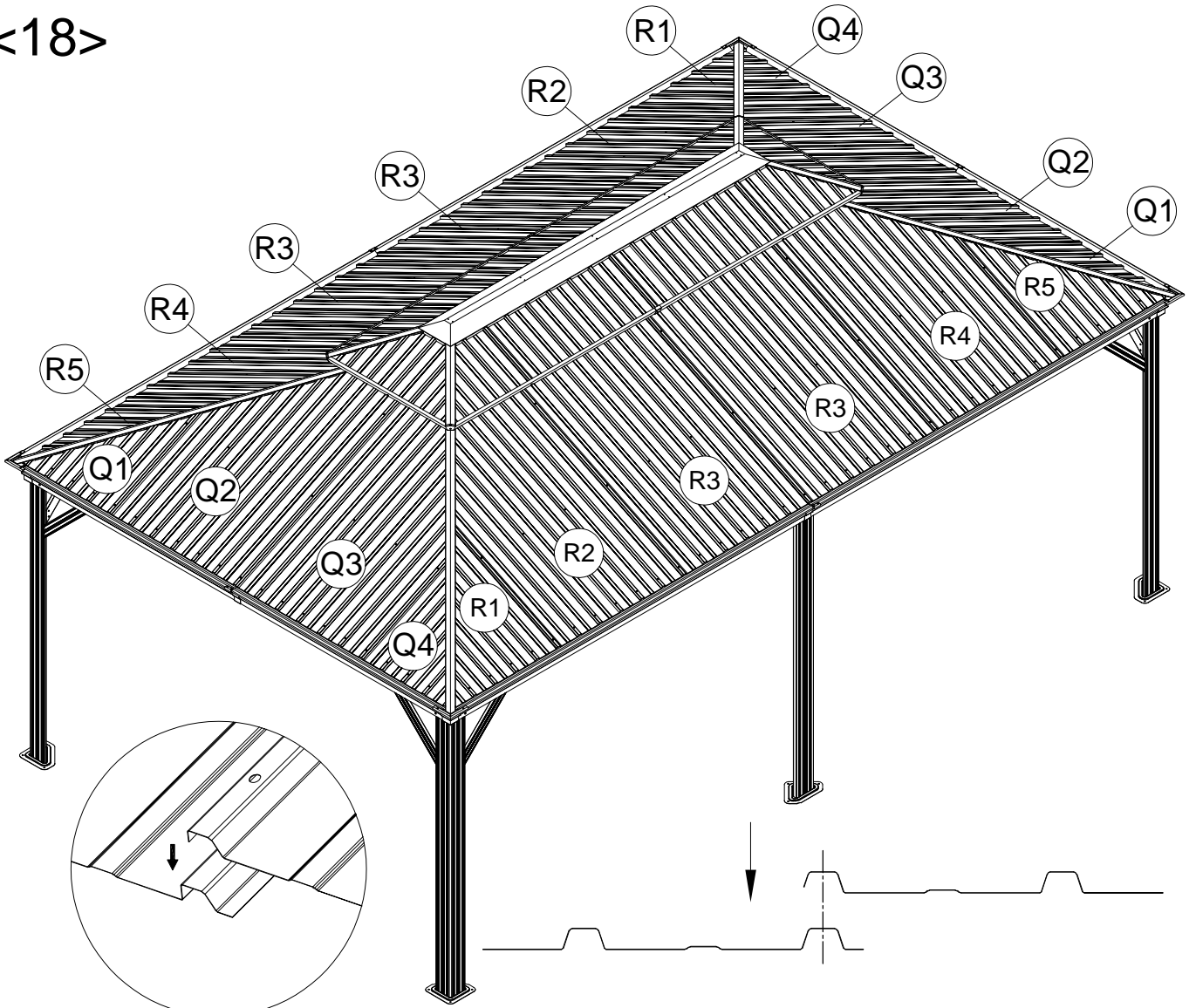
W 4x

W1 8x

1 36x M6x15

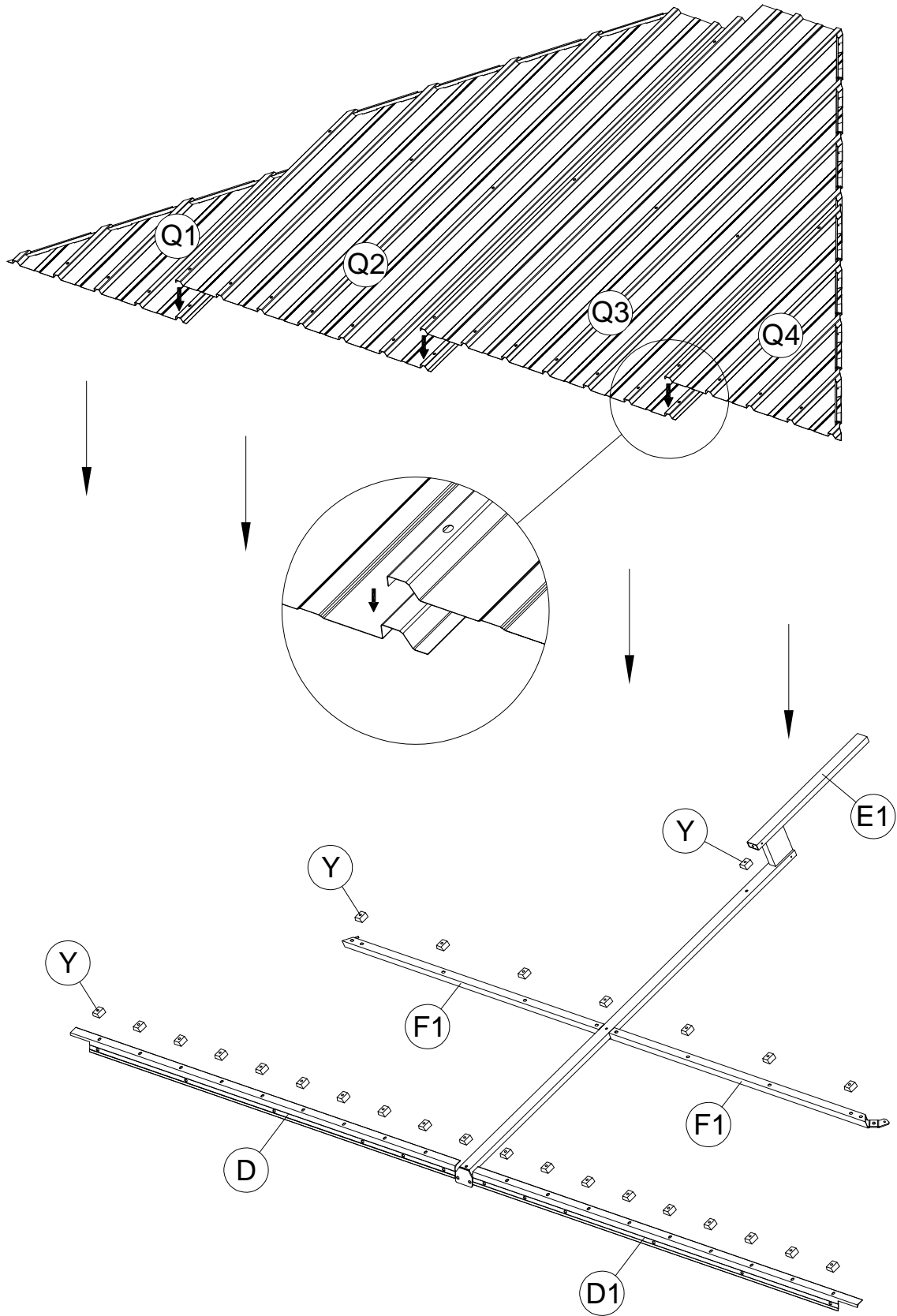


<18>

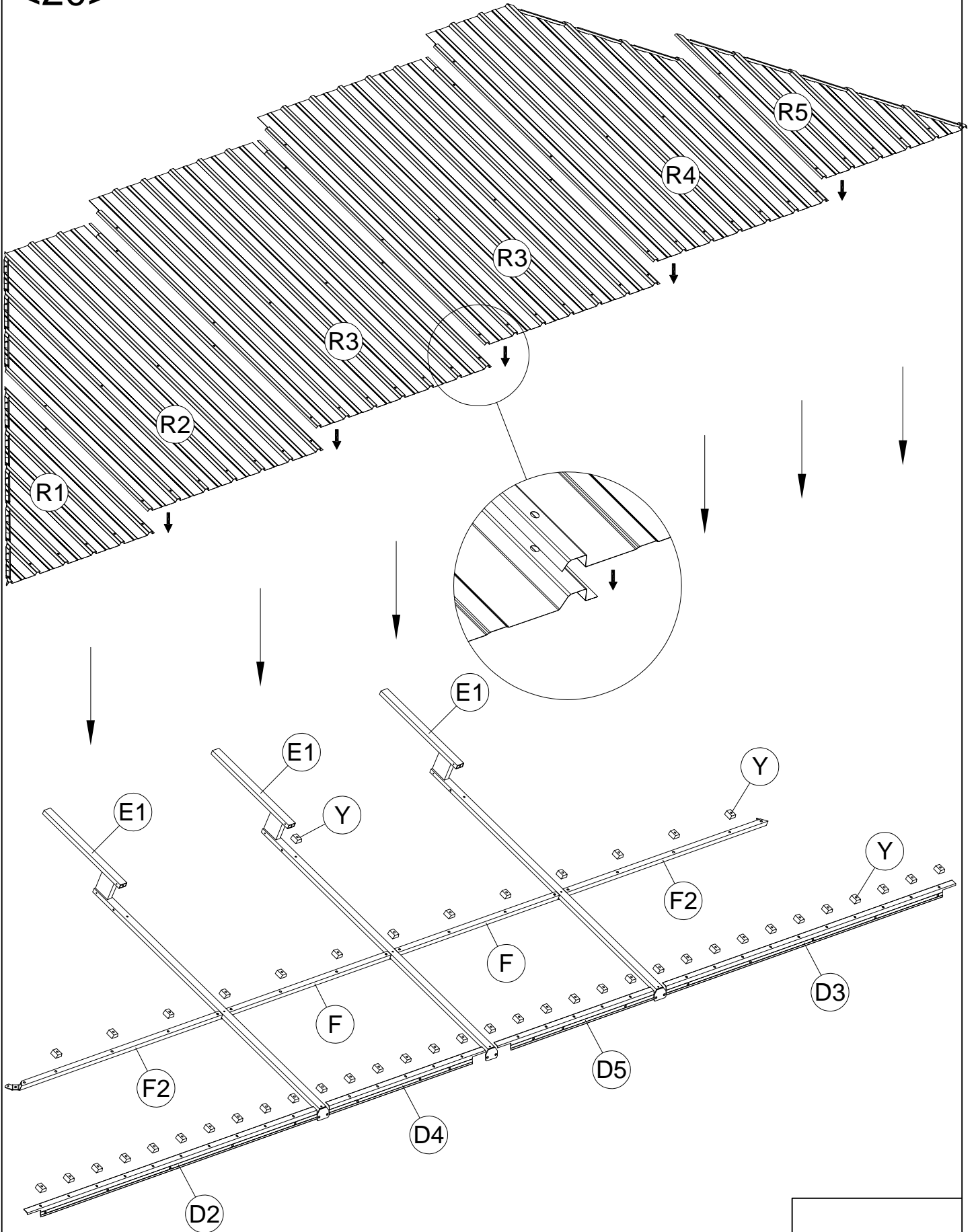


22

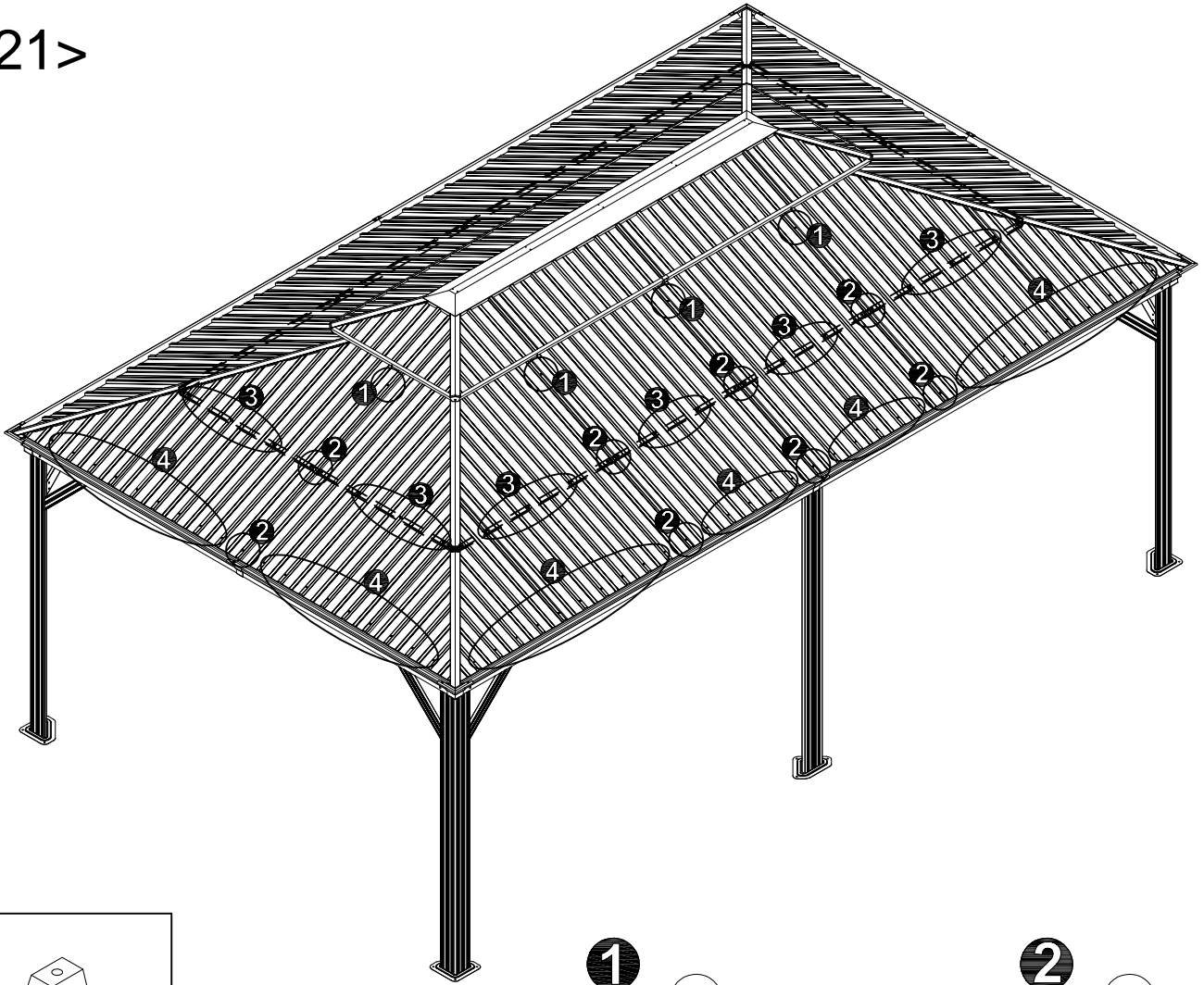
<19>



<20>



<21>



Y 152x

16x

96x

M6x23

2 16x + 96x



M6x42

6 8x



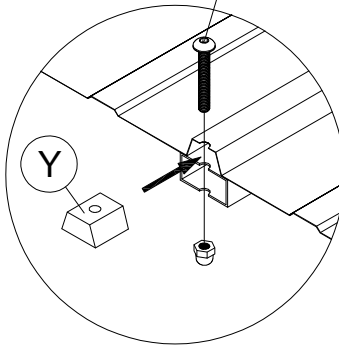
M6x47

7 32x

25

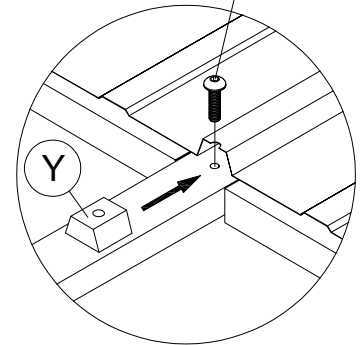
1

6



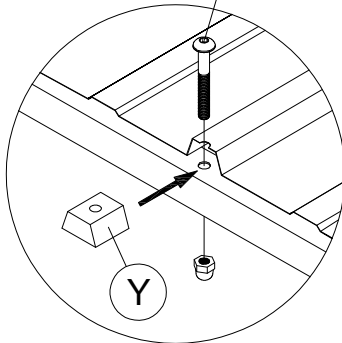
2

2



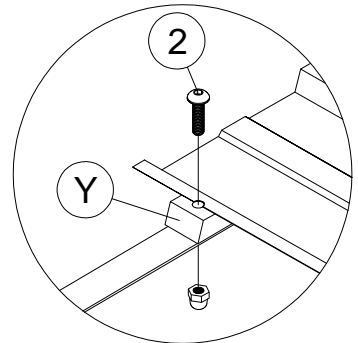
3

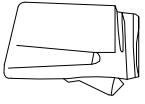
7



4

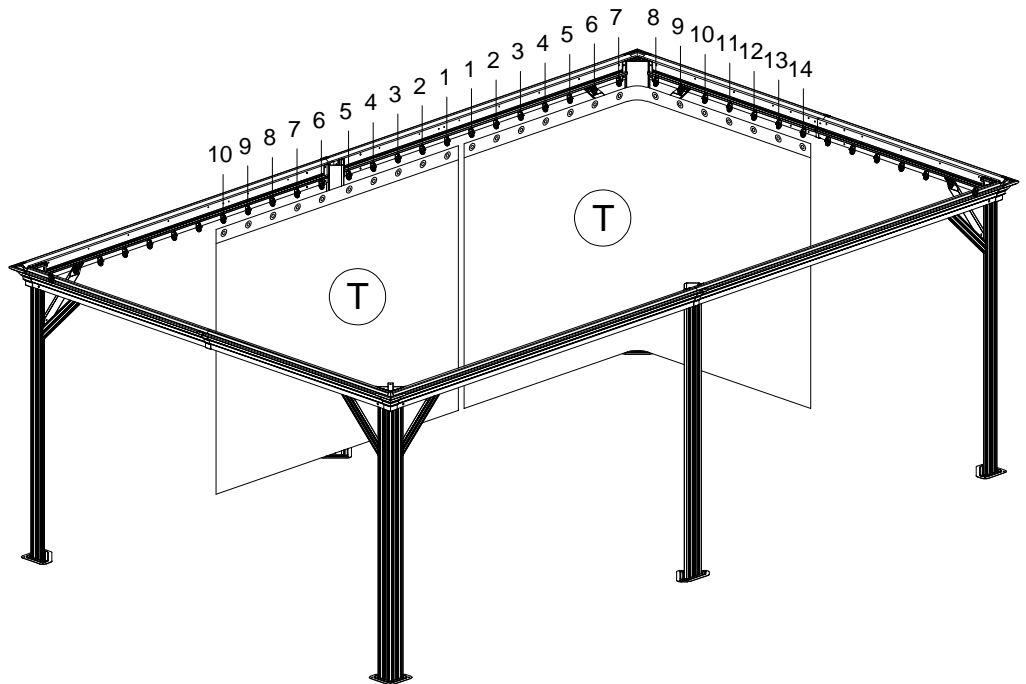
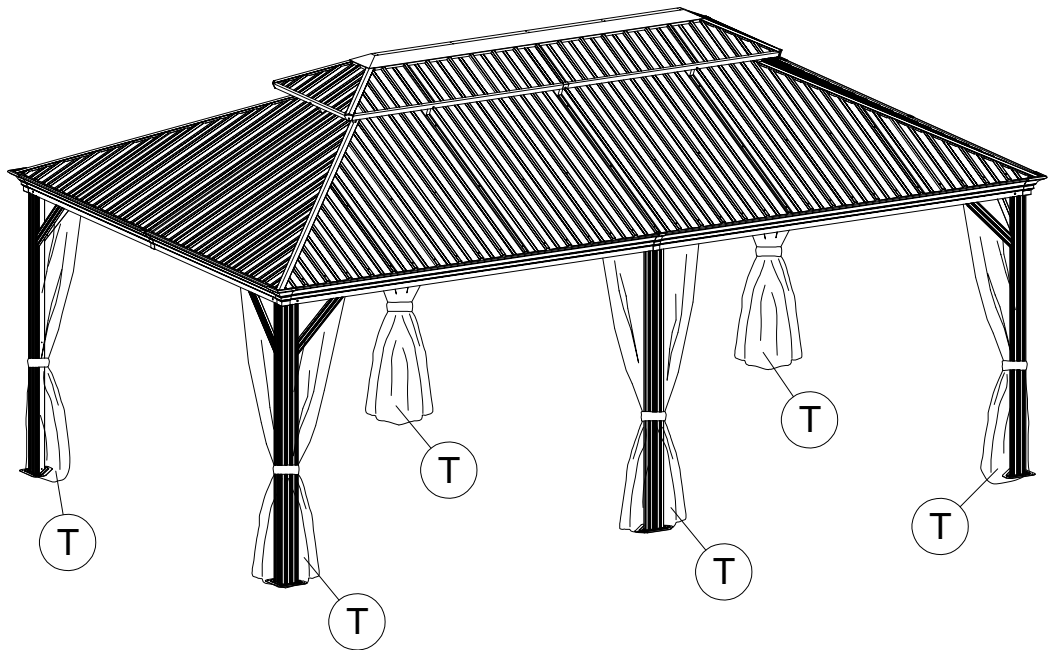
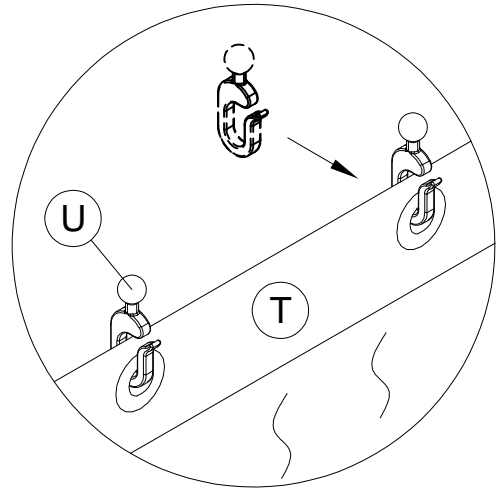
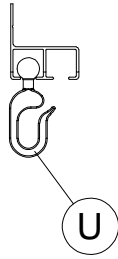
2

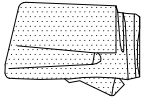




<22>

T 4x + 2x



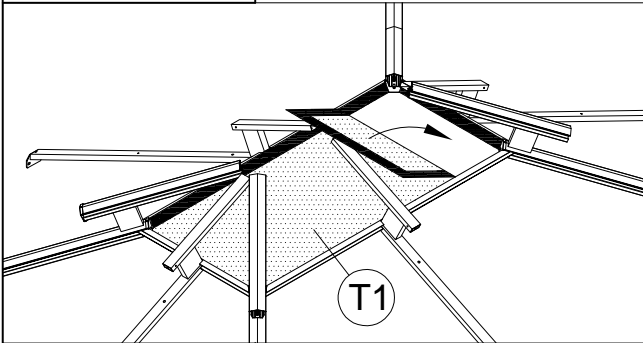
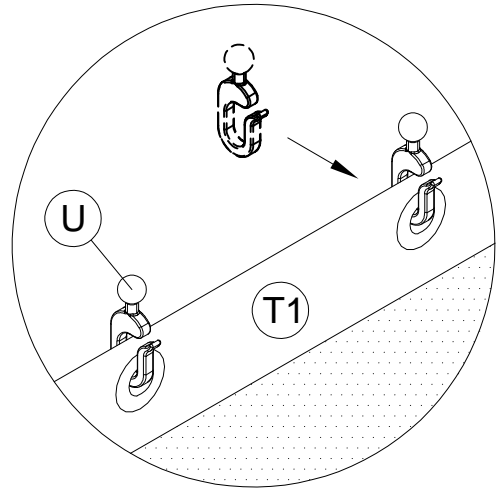
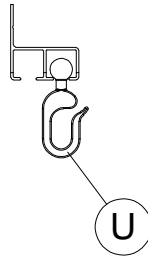


+

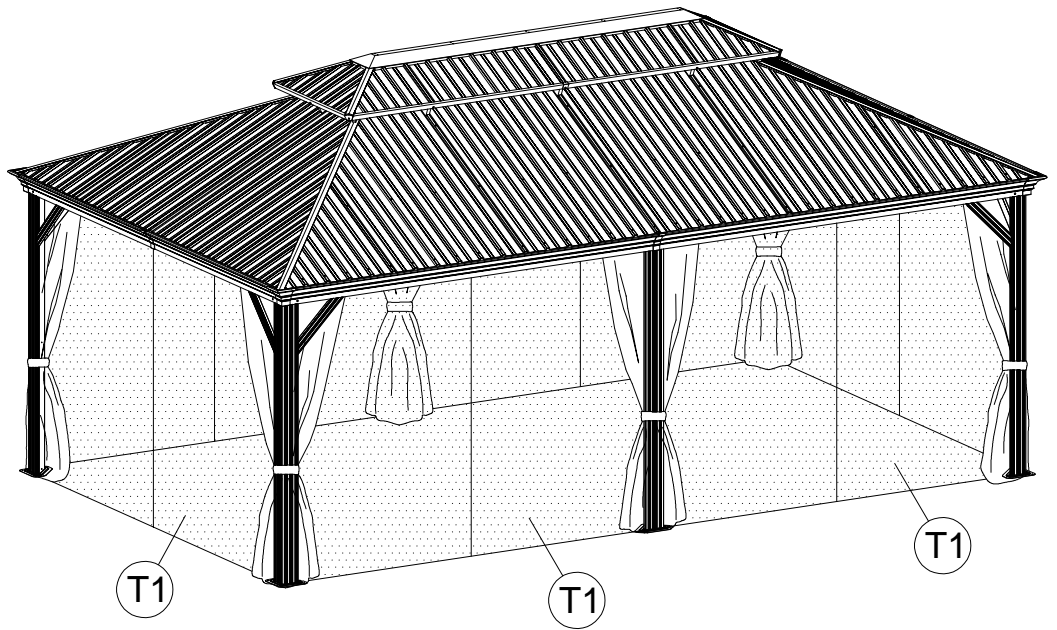


T1 4x+2x+1x

<23>



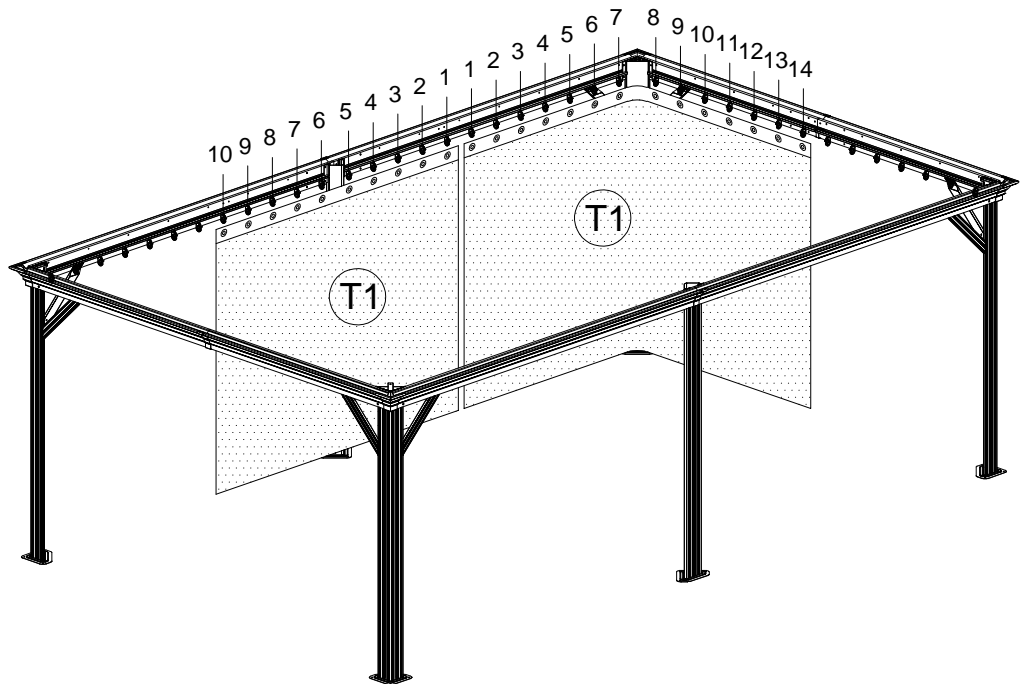
T1



T1

T1

T1



T1

T1

DANCOVER[®]

.com

Contact information

Head office:

Dancover A/S
Nordre Strandvej 119 G
3150 Hellebæk
Denmark

For more information
please visit:
www.dancovershop.com

National contact

Denmark: 70 26 76 20
denmark@dancover.com

UK: 020 8099 7570
uk@dancover.com

Germany: 041 0266 7040
germany@dancover.com

France: 0975 181 800
france@dancover.com

Sweden: 040 233 262
sverige@dancover.com

Finland: 0 931 581 720
suomi@dancover.com

Poland: 22 300 8602
polska@dancover.com

Luxembourg: +49 041 0266 7040
luxembourg@dancover.com

Portugal: 308 800 899
portugal@dancover.com

Spain: 911 436 828
espana@dancover.com

Italy: 02 479 21 198
italia@dancover.com

Switzerland: 0840 000125
schweiz@dancover.com

Austria: 0662 626935
austria@dancover.com

Norway: 231 00 690
norge@dancover.com

Nederland: 0 858 880 524
nederland@dancover.com

Ireland: 0 151 33 003
ireland@dancover.com

Belgium: 0 28 08 08 09
belgique@dancover.com