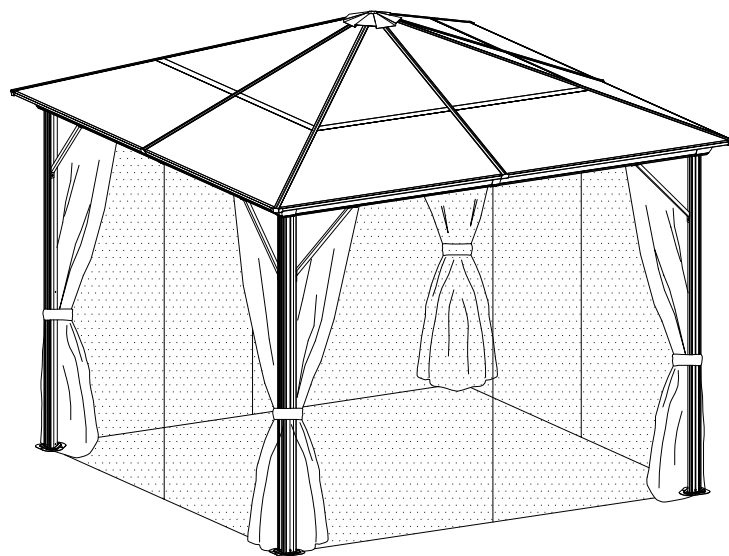


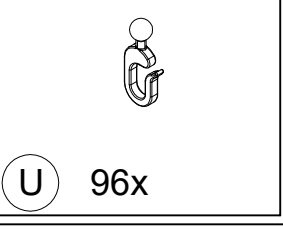
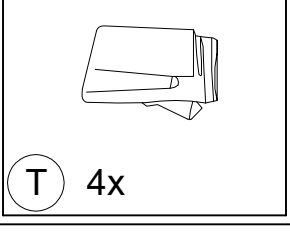
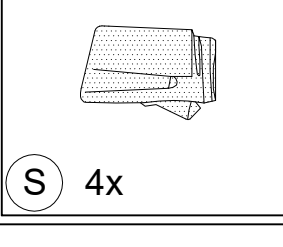
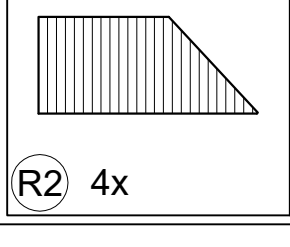
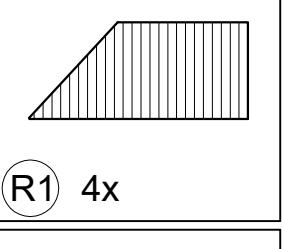
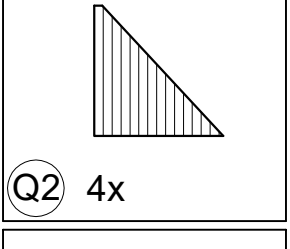
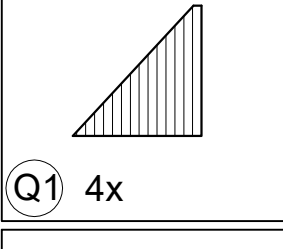
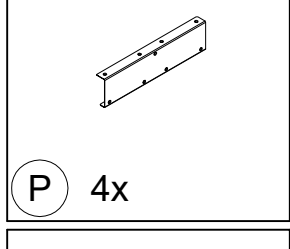
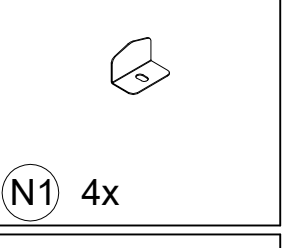
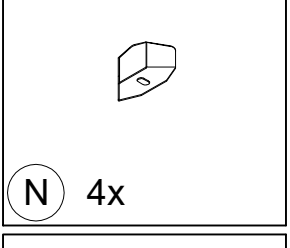
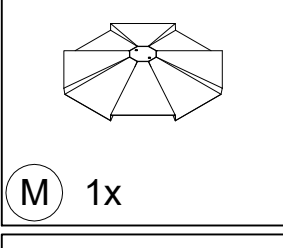
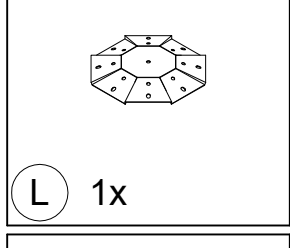
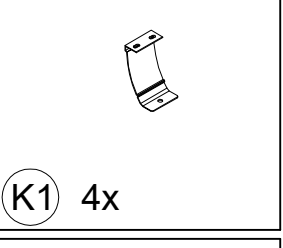
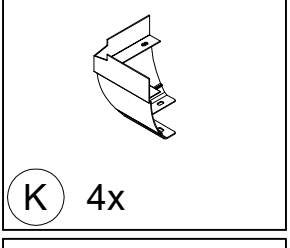
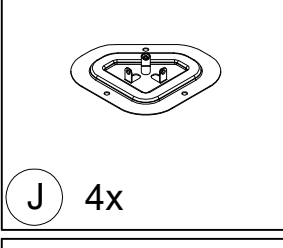
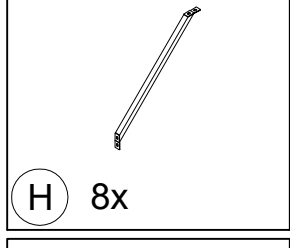
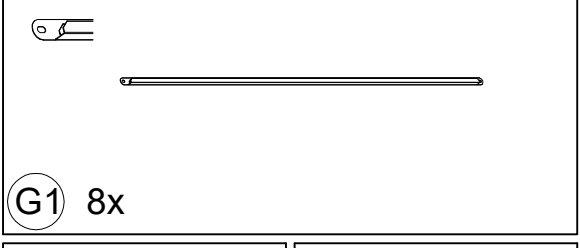
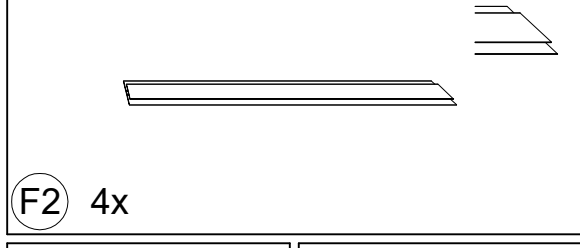
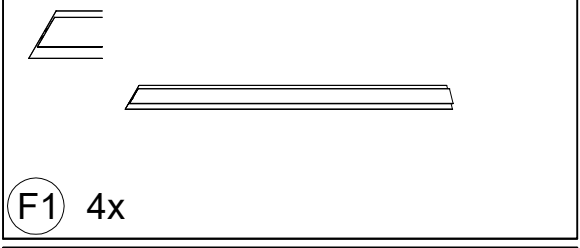
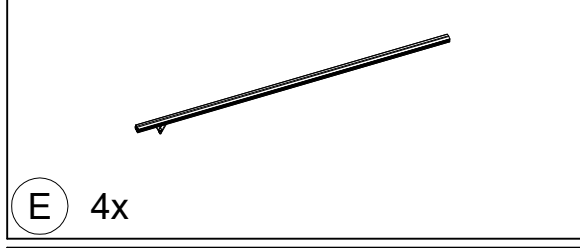
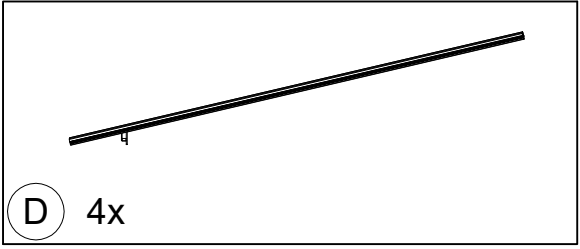
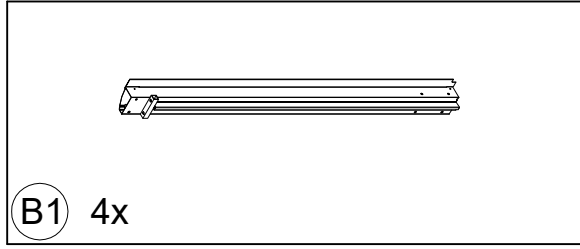
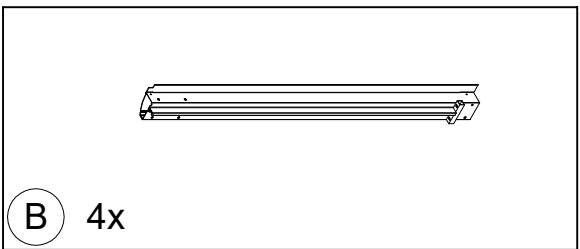
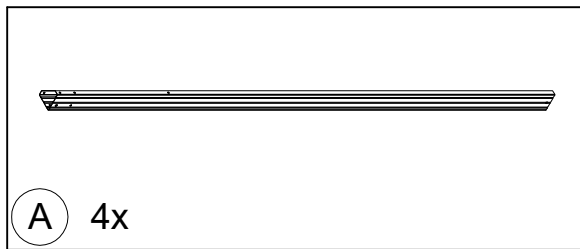
DANCOVER[®]

.com

Manual
for
Gazebo Santa Barbara 3x3m
Black

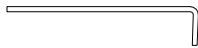
3 x 3 M







V 4x



W 12x

S4



1x



M6x15

1 96x



M6x35

2 16x



M5x12

3 16x



ST4.8x12

4 24x

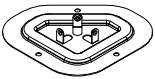


5 1x

<1>



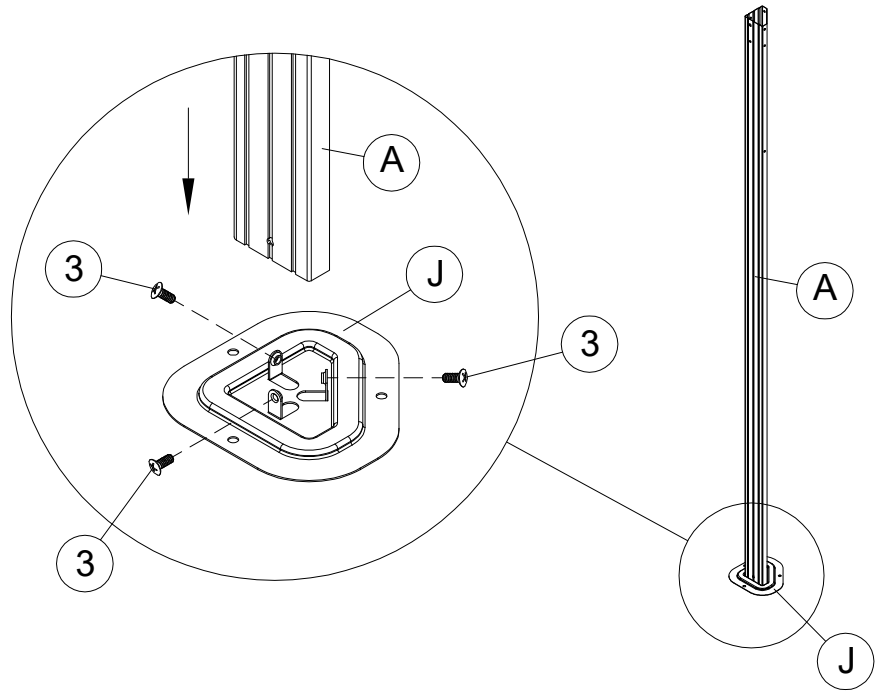
A 4x



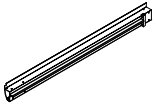
J 4x



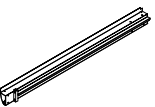
3 12x M5x12



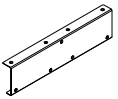
<2>



B 4x



B1 4x

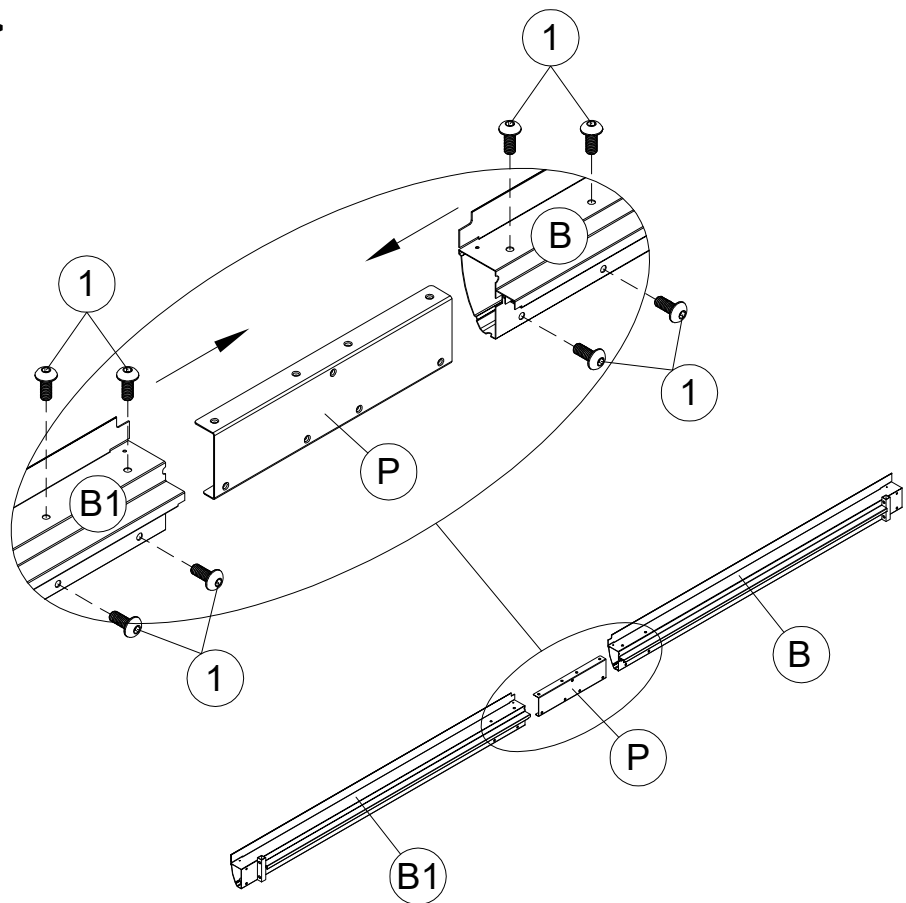


P 4x



1 32x M6x15

4





1 16x

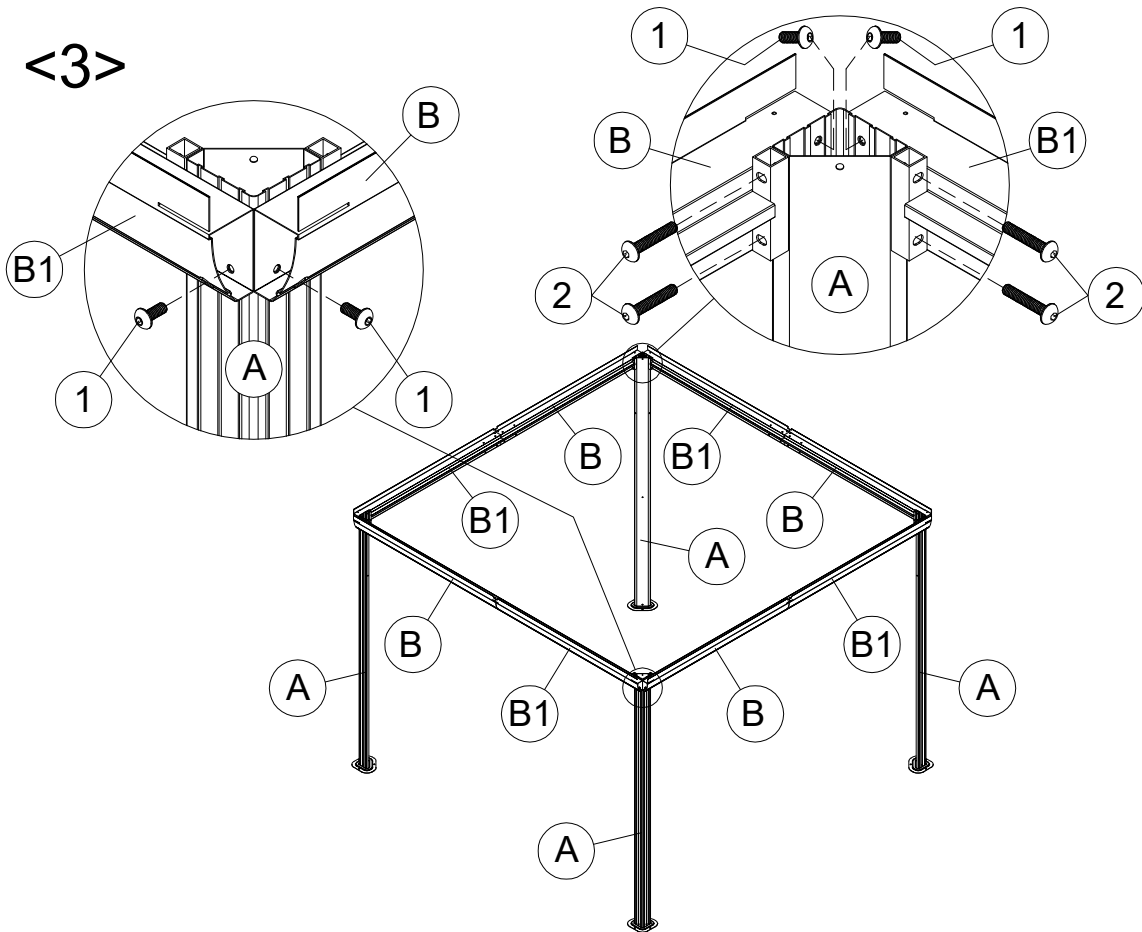
M6x15



2 16x

M6x35

<3>



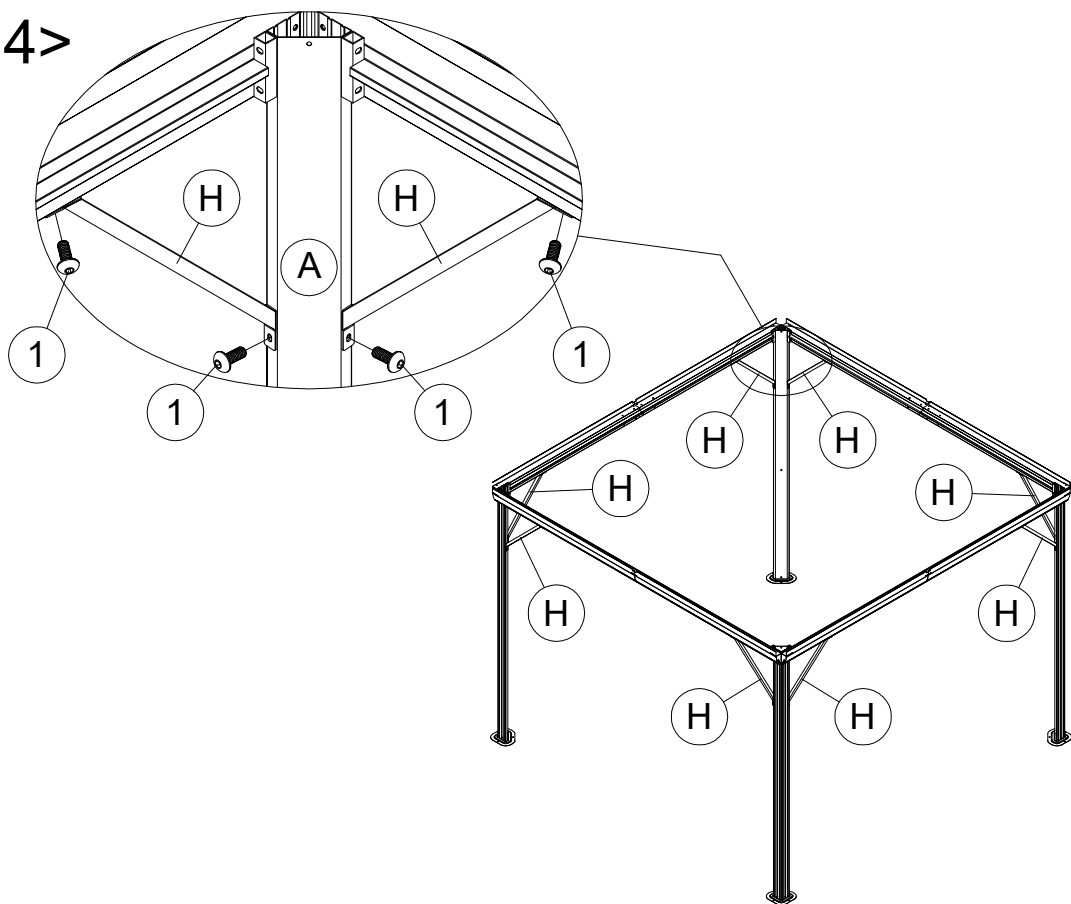
H 8x



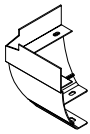
1 16x

M6x15

<4>



5



K 4x



K1 4x



U 96x



V 4x

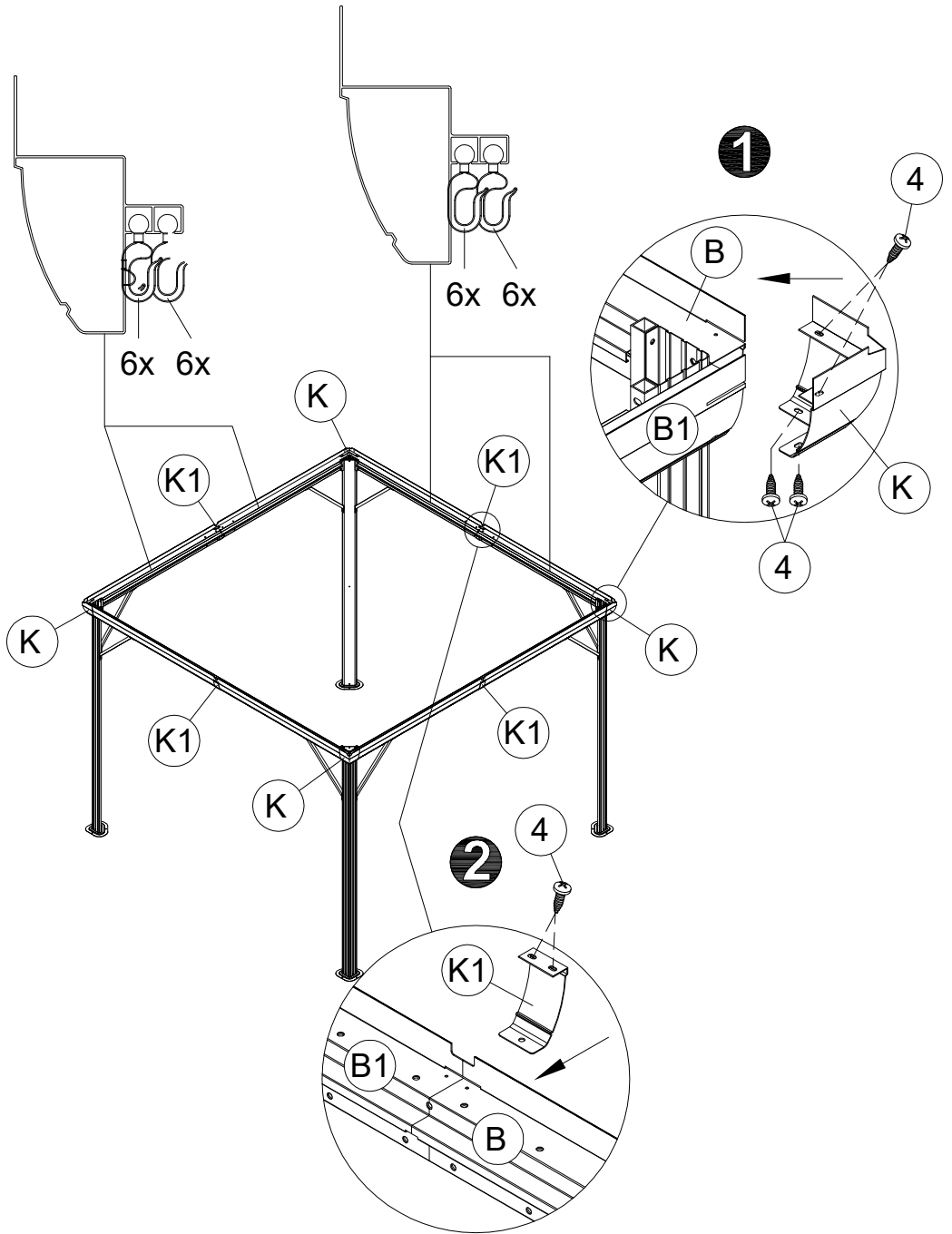


3 4x M5x12



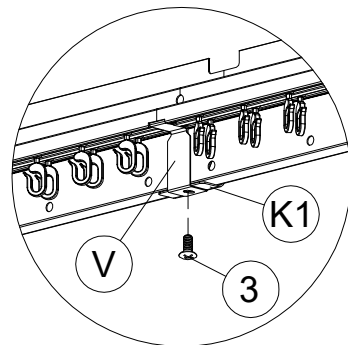
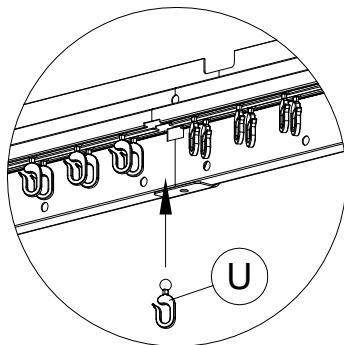
4 24x ST4.8x12

<5>



3

4

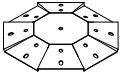


6



<6>

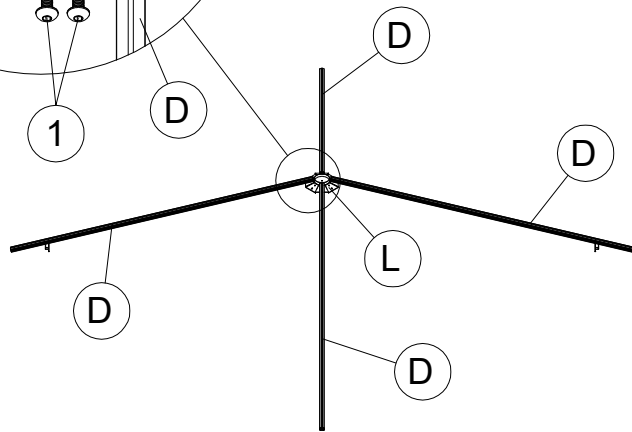
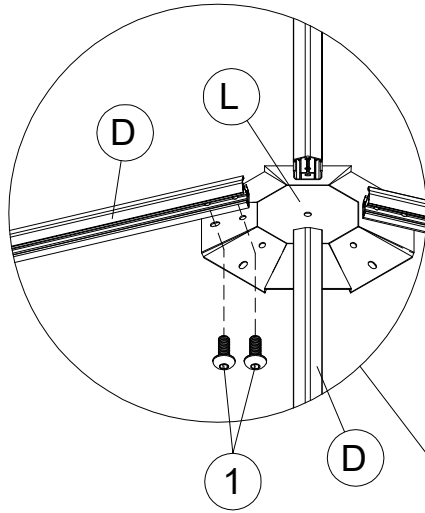
(D) 4x



(L) 1x

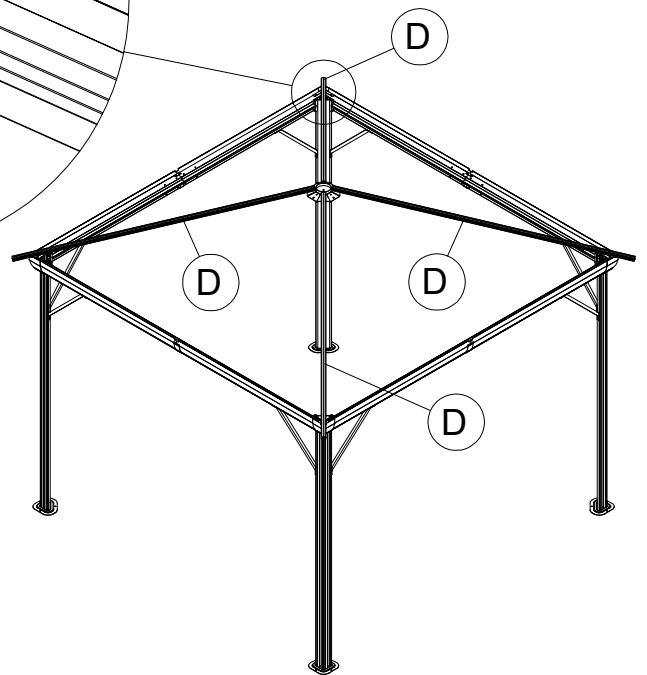
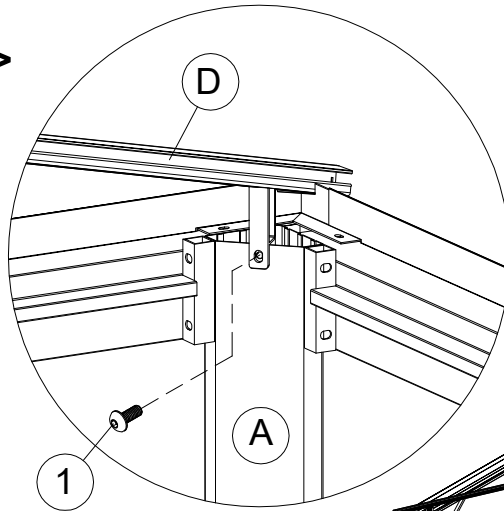


(1) 8x M6x15



(1) 4x M6x15

<7>



7

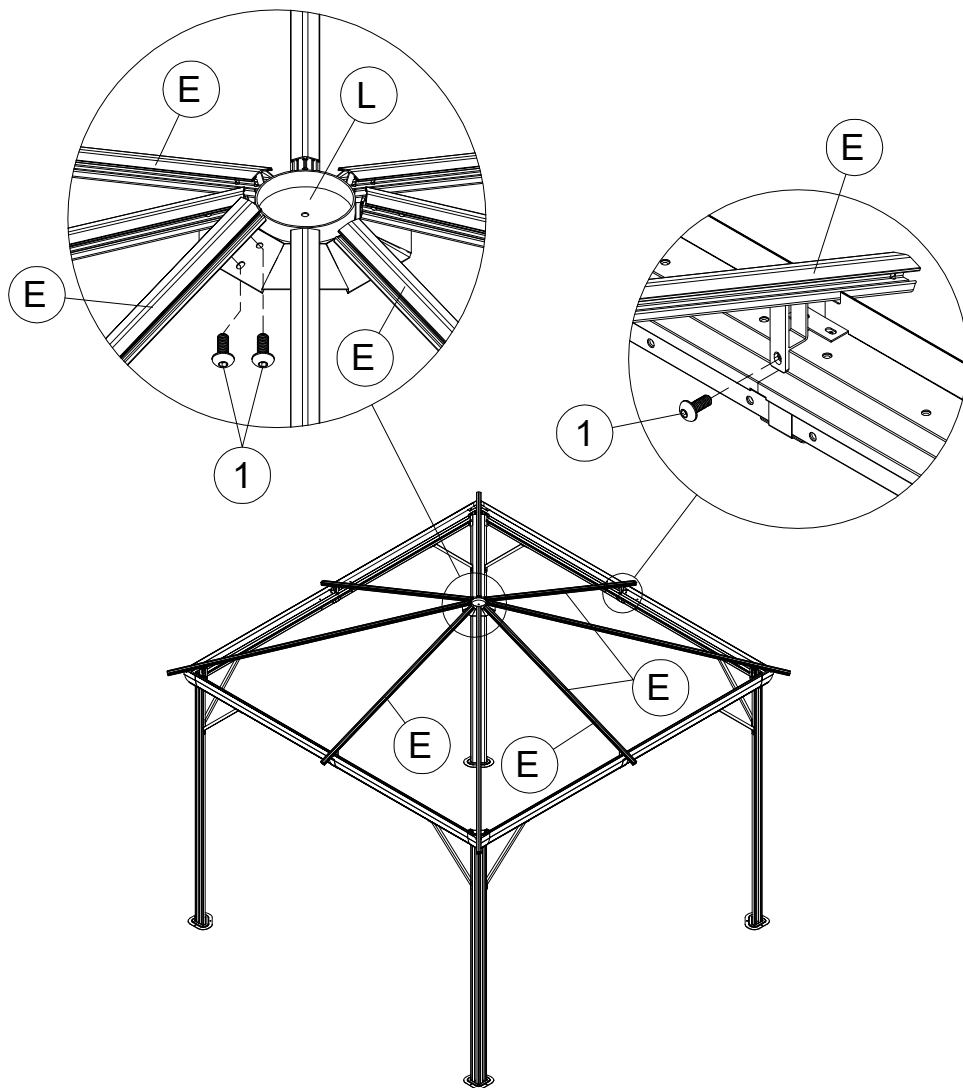


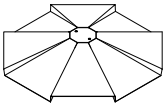
<8>

(E) 4x



(1) 12x M6x15



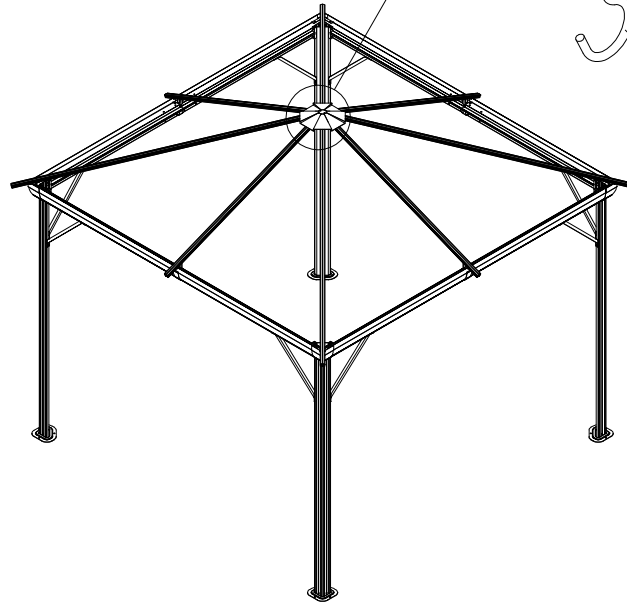
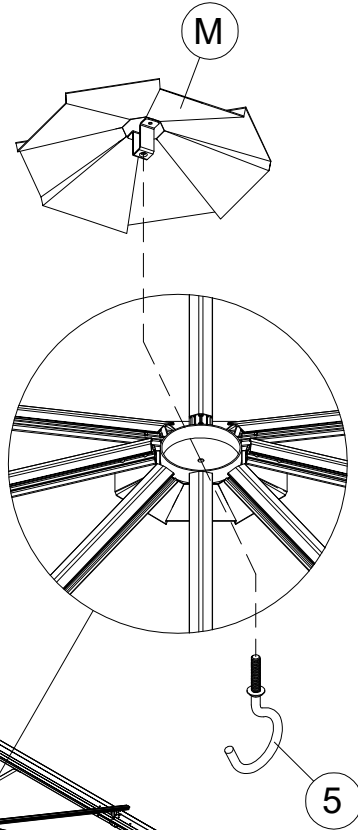


<9>

M 1x

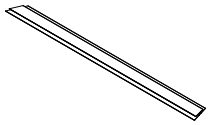


5 1x

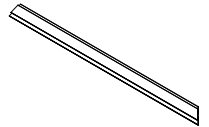


9

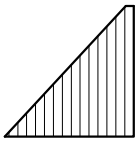
<10>



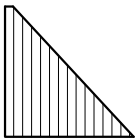
F1 4x



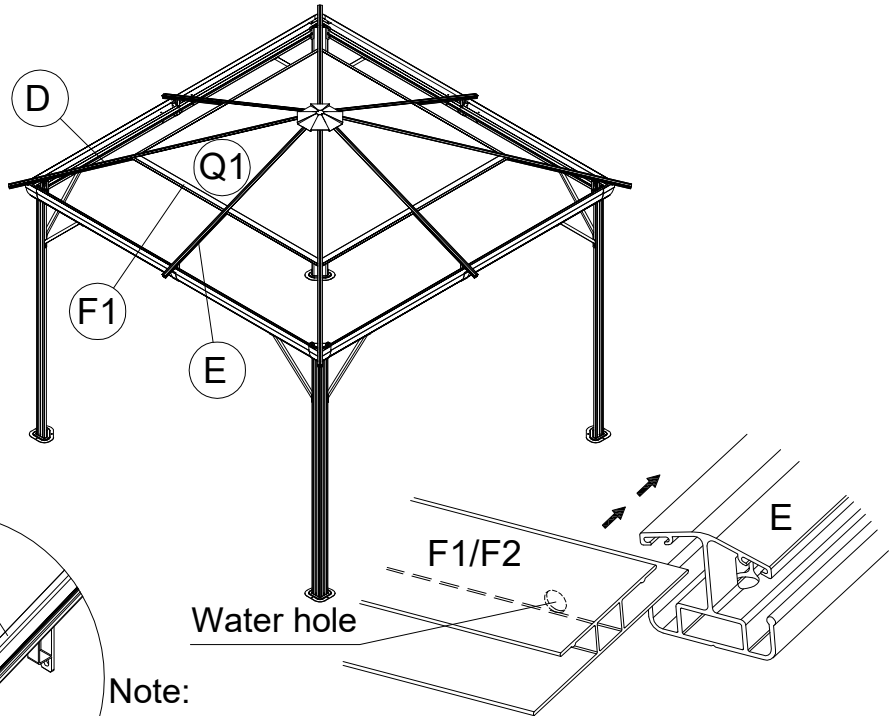
F2 4x



Q1 4x

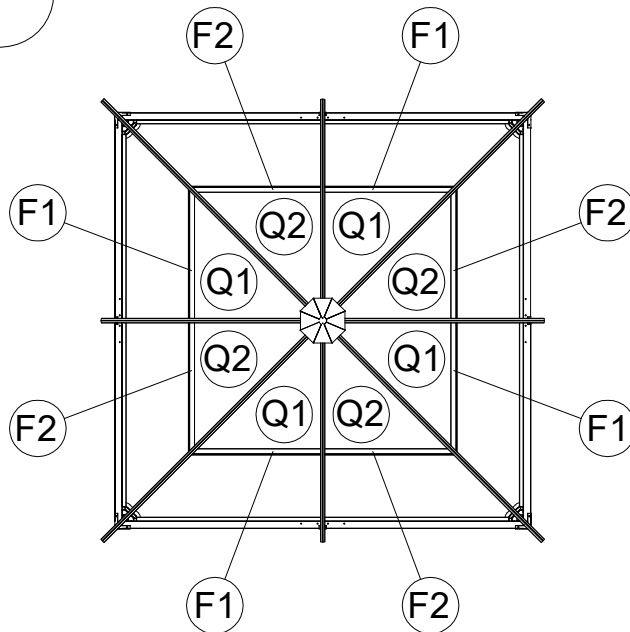
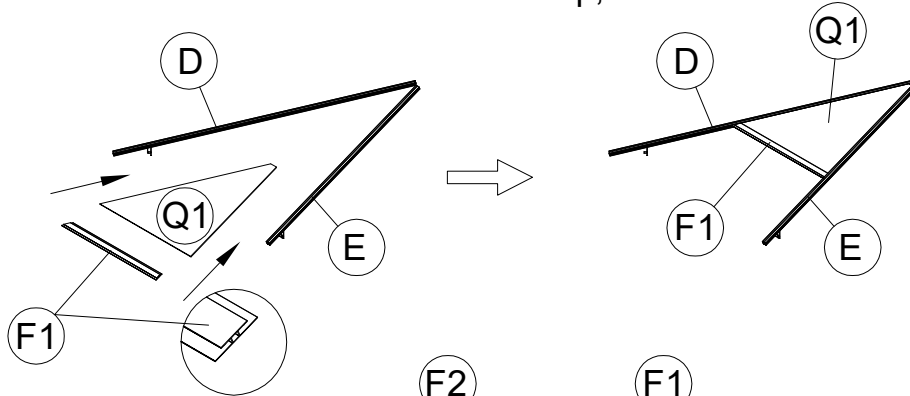


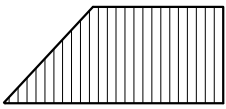
Q2 4x



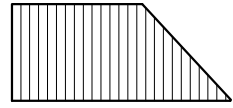
Note:

1. When F1 or F2 slide into the E, the wide side must be face down and narrow side face up, otherwise will cause water leaking
2. F1 or F2 the water holes inside of the tube must be face up, otherwise will cause water leaking



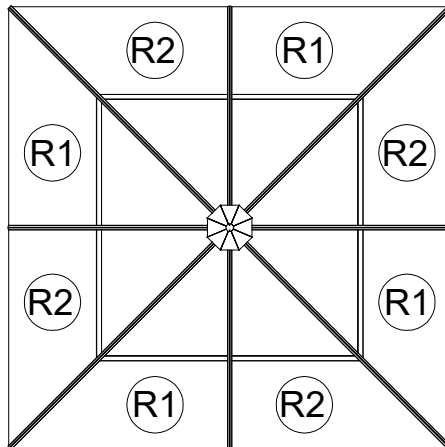
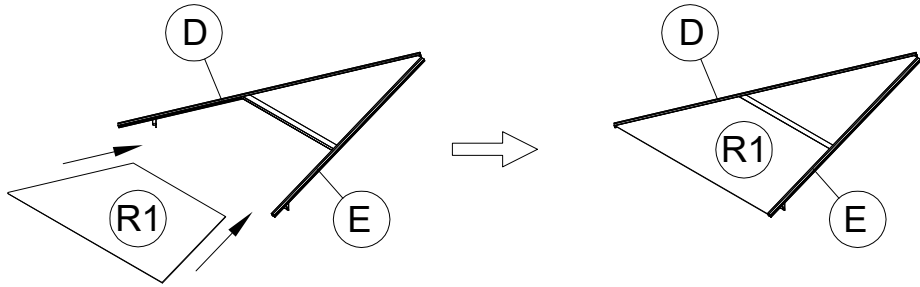
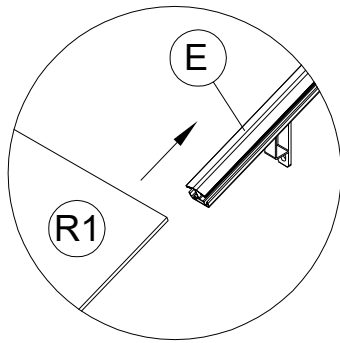
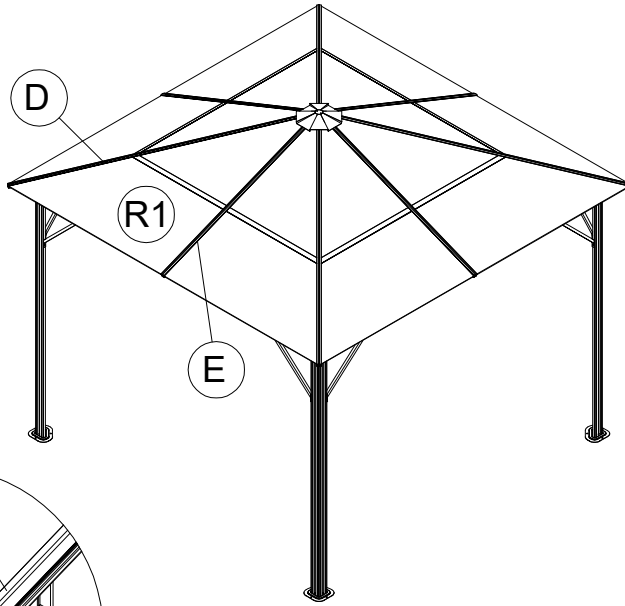


R1 4x

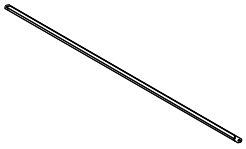


R2 4x

<11>



<12>



G1 8x



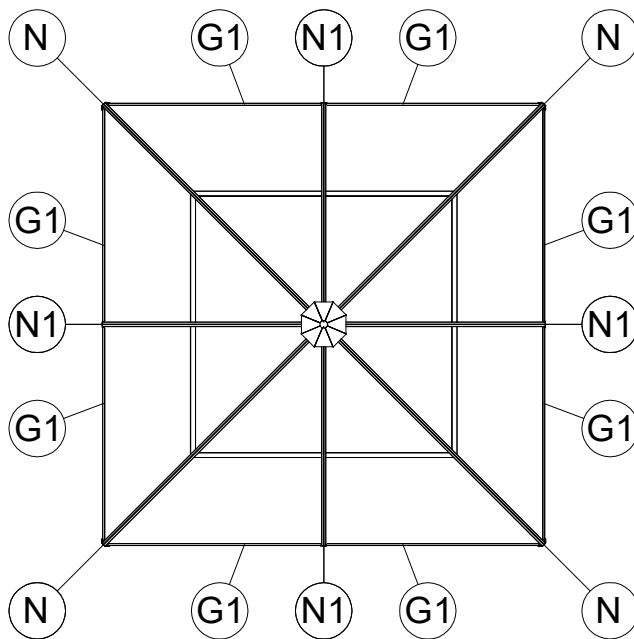
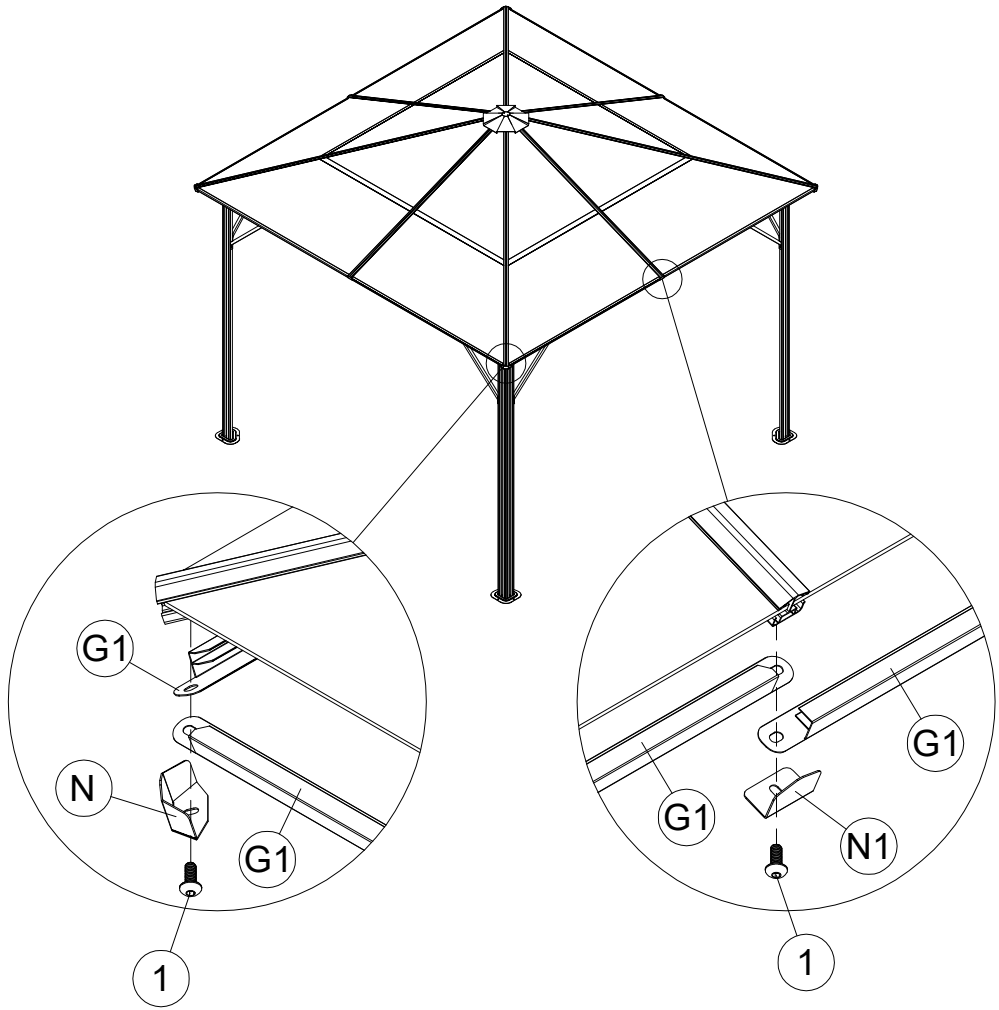
N 4x

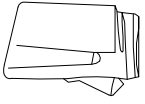


N1 4x



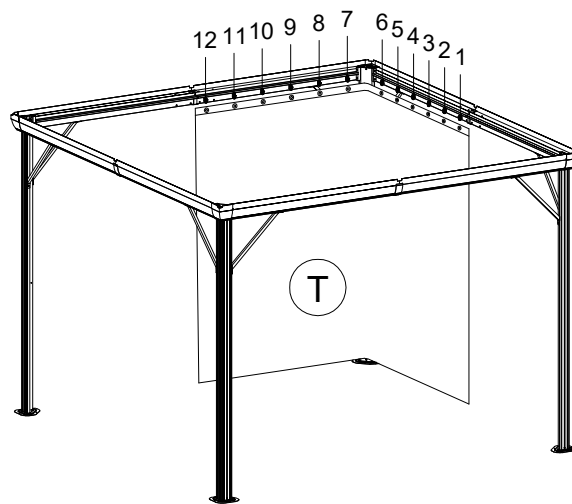
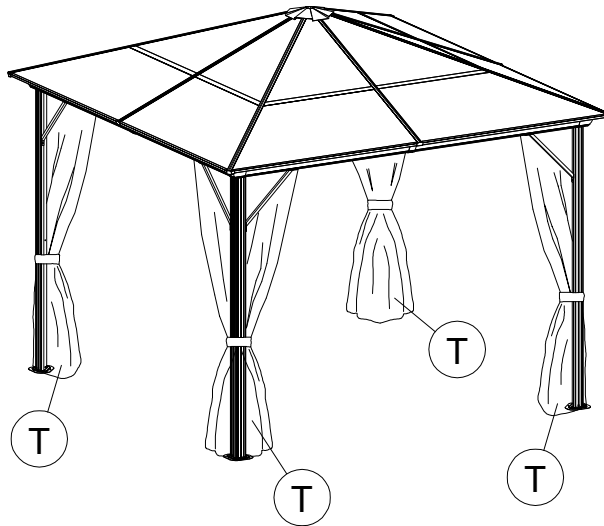
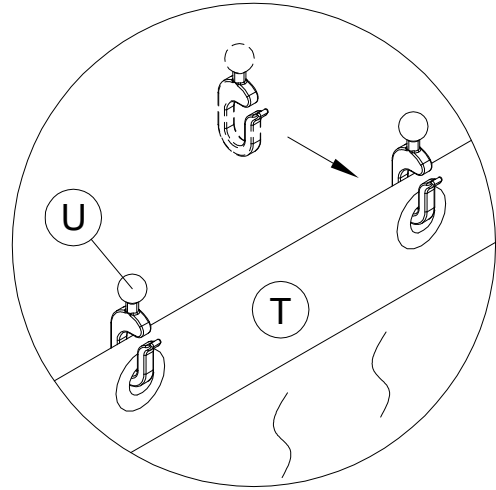
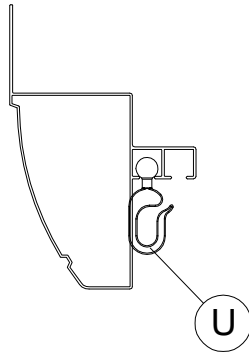
1 8x M6x15

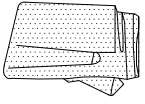




<13>

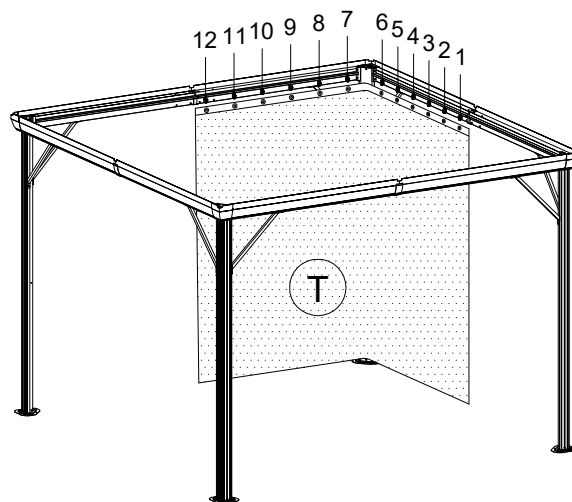
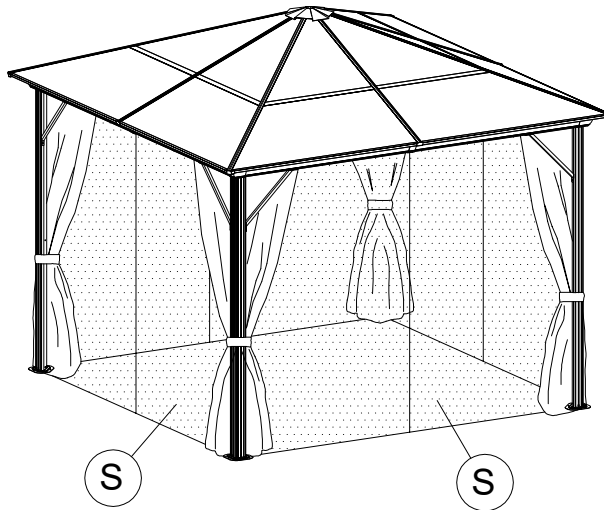
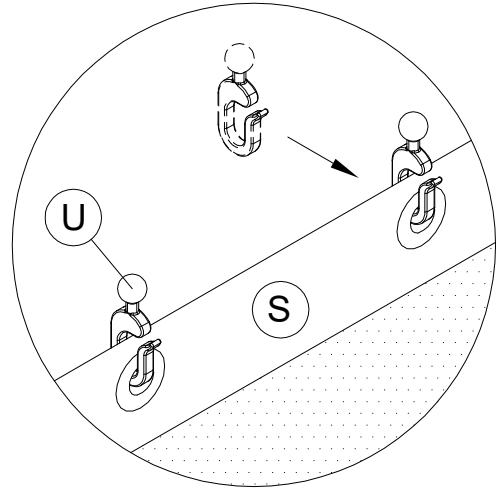
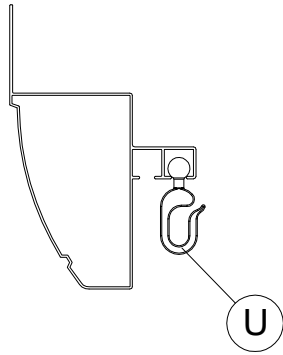
T 4x





<14>

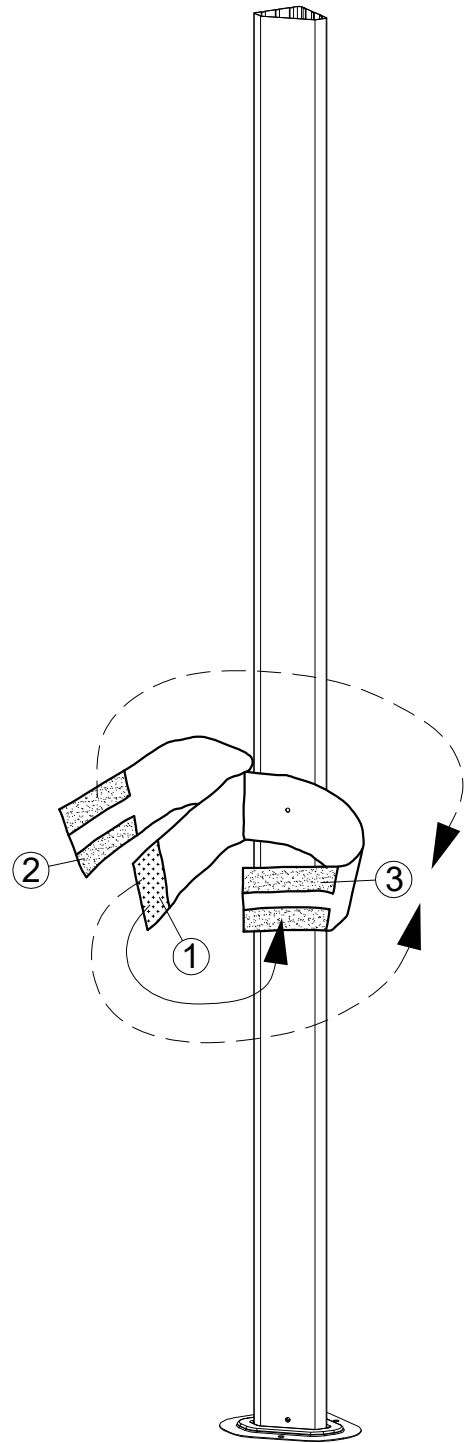
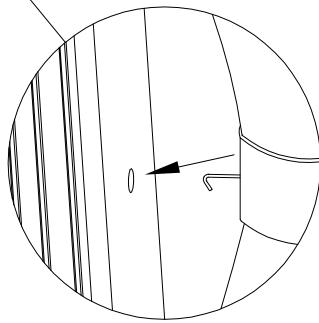
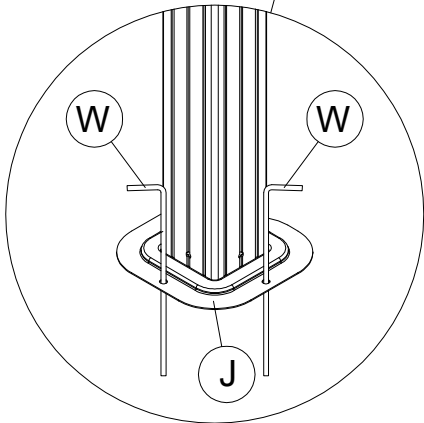
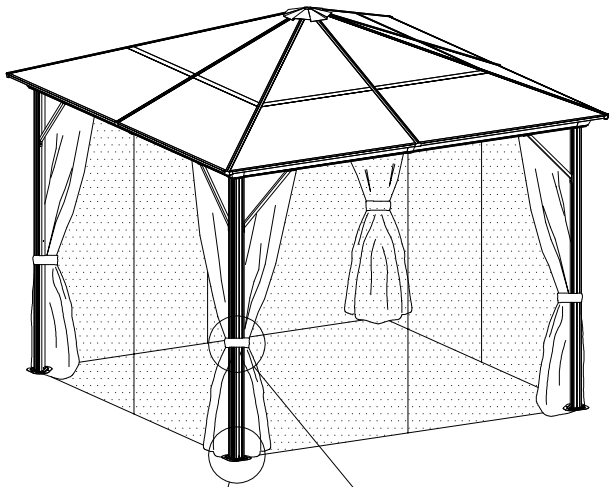
S 4x





<15>

W 12x



Note:

1. 1 stick 2 tie S and T together
2. 1 stick 3 towards back tie T
3. 1 stick 3 towards front tie S

Contact information

Austria



Belgium



Croatia



Denmark



Estonia



Finland



France



Germany



Ireland



Italy



Latvia



Lithuania



Nederland



Norway



Poland



Portugal



Spain



Sweden



Switzerland



UK

