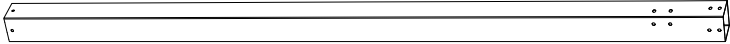





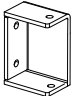



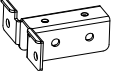





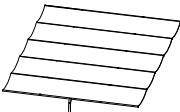




DANCOVER[®]

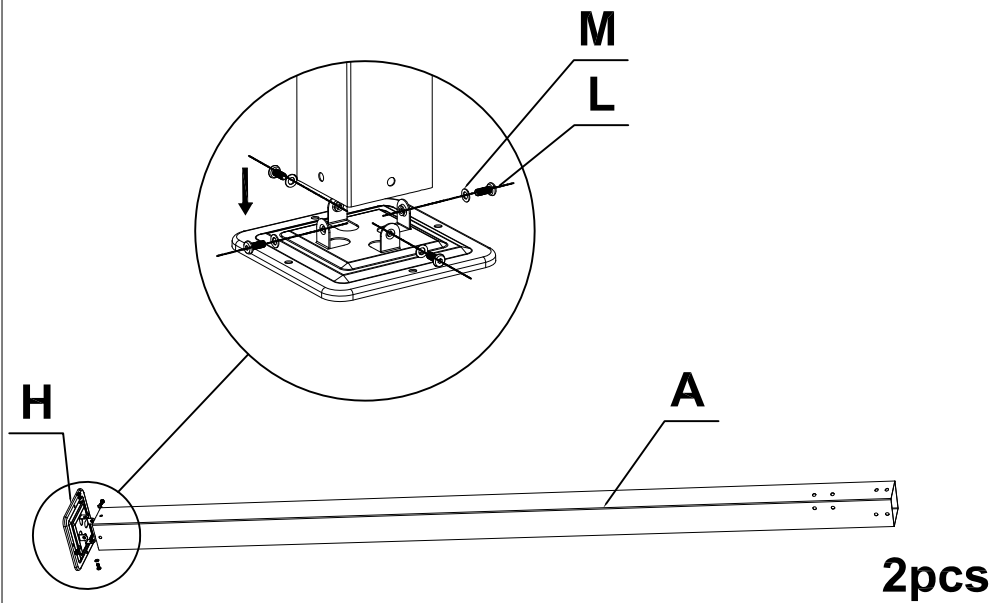


Manual
for
Pergola Gazebo Extension
for
Santa Cruz 3x3m

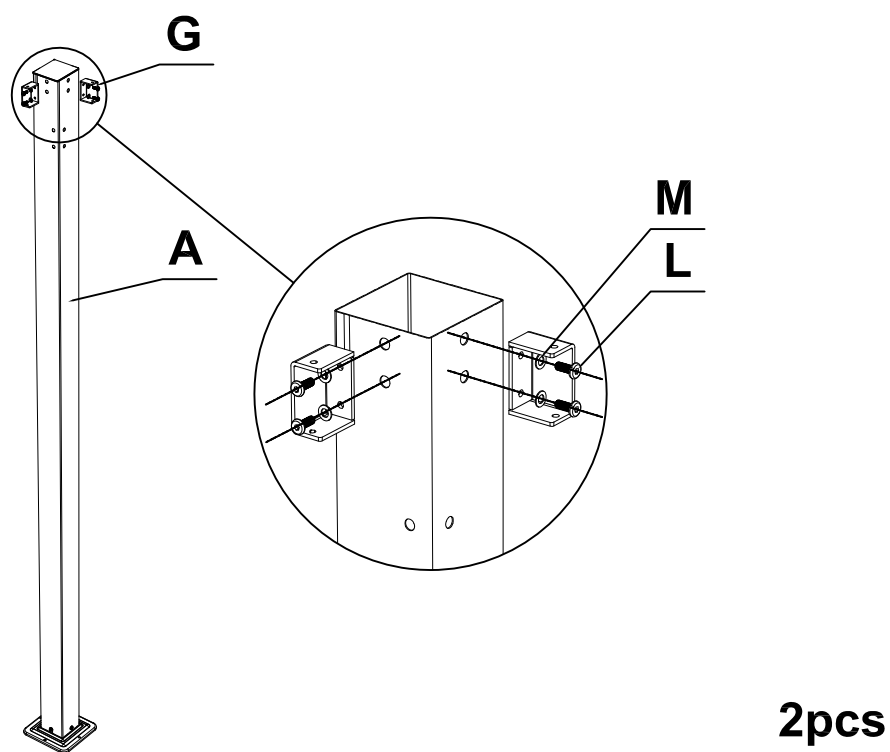


A		2		
B		1		
C		1		
D		1		
E		2		
F		6		
				
Gx6	Hx2	Ix3	Jx3	Kx4
				
M6*15 L x72	Ø6.5*Ø12*1 M x84	N x10	M6*65 O x12	Px2
				
Q X1	Sx8	Ux1		

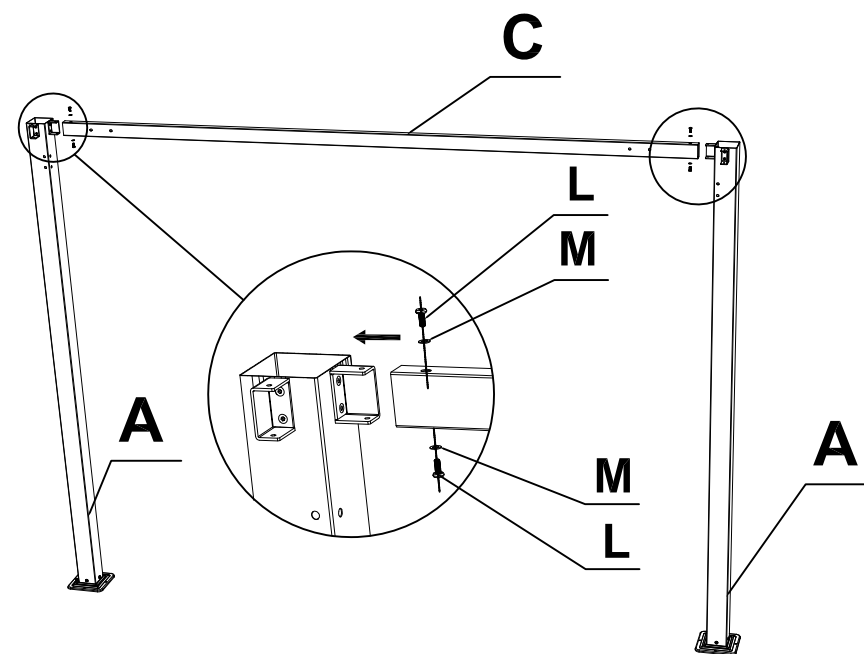
1



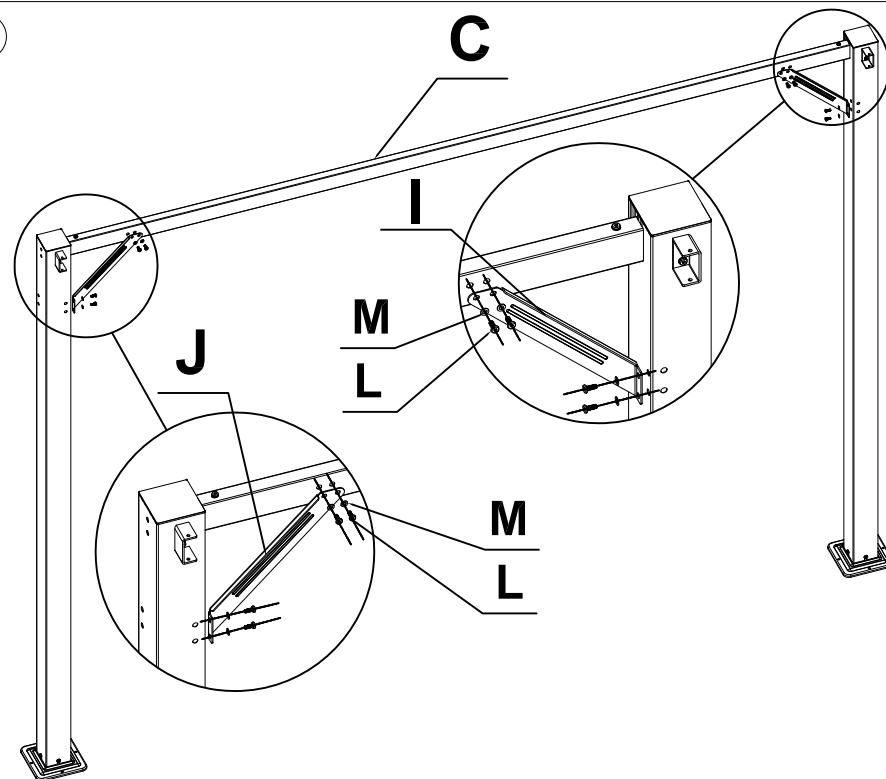
2



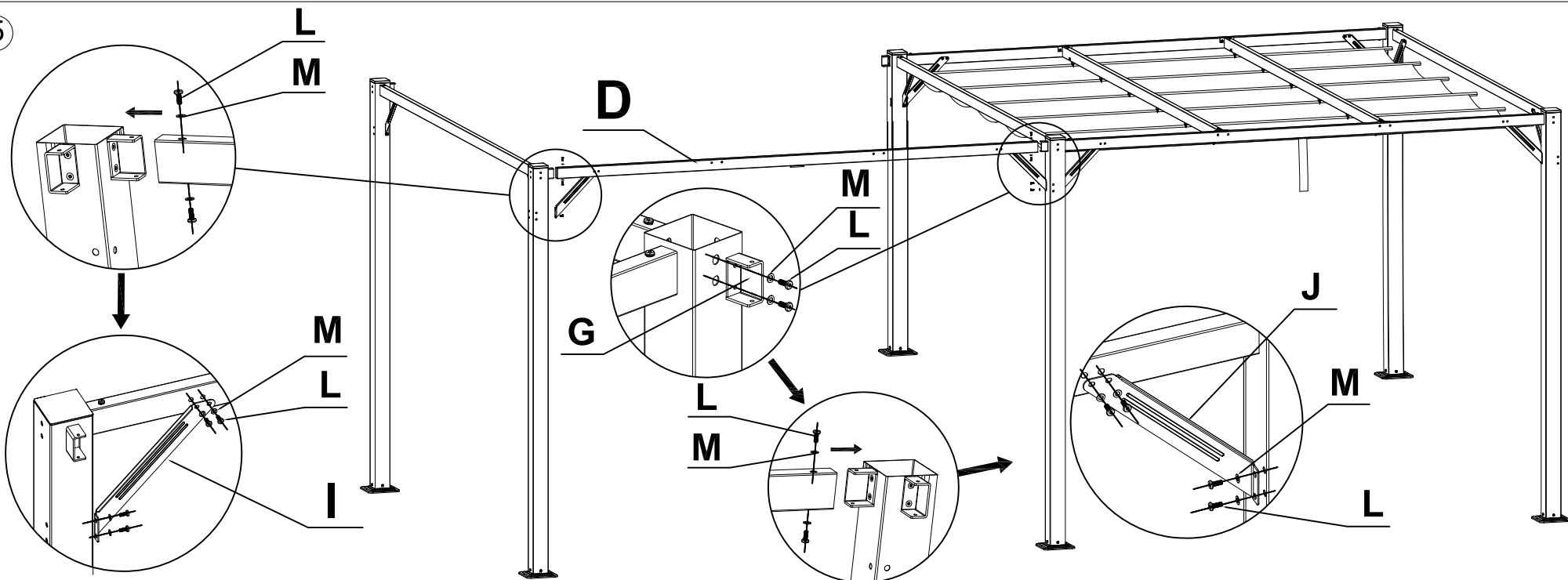
3



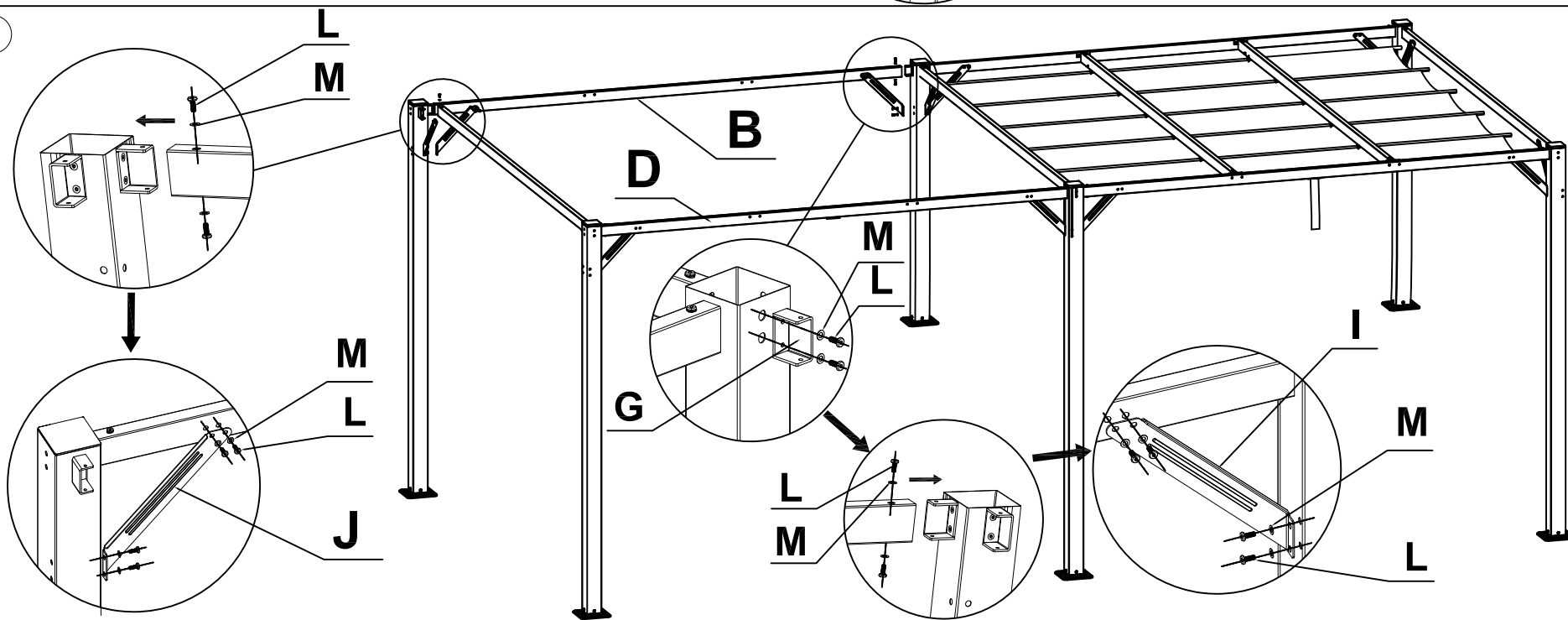
4



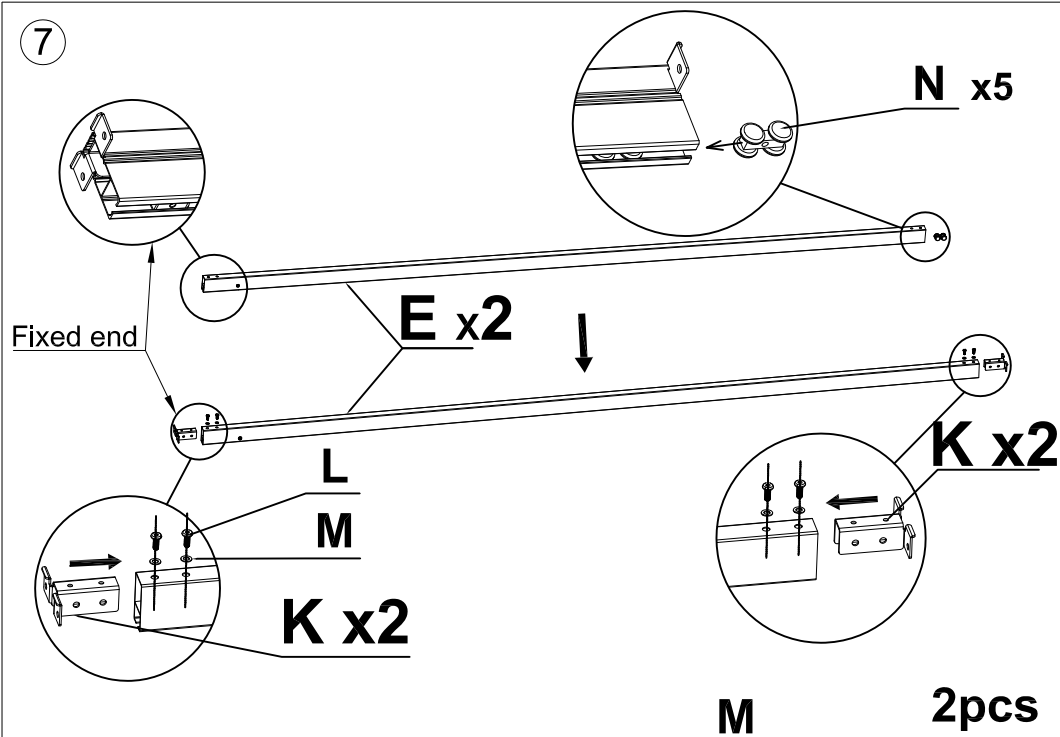
5



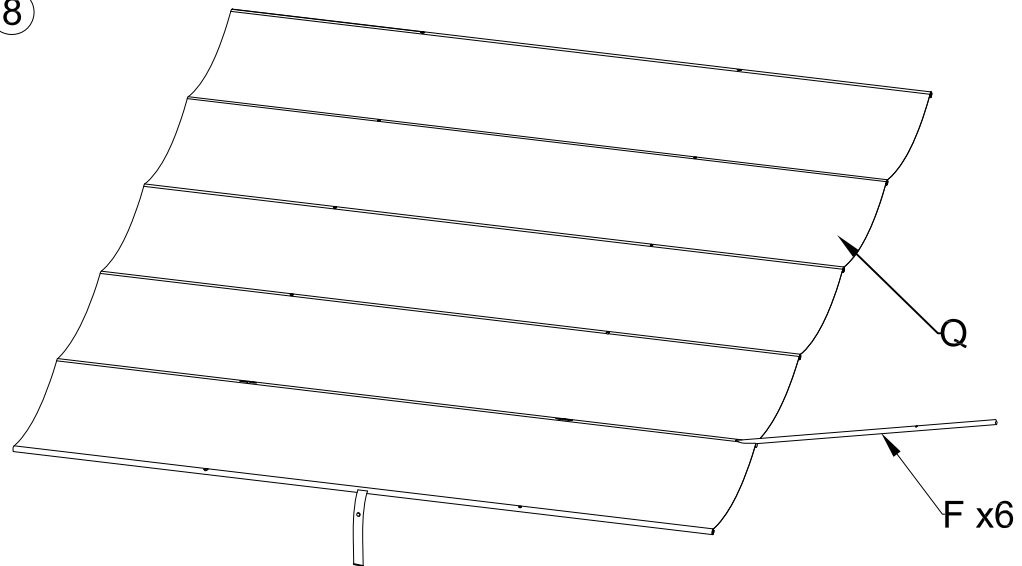
6



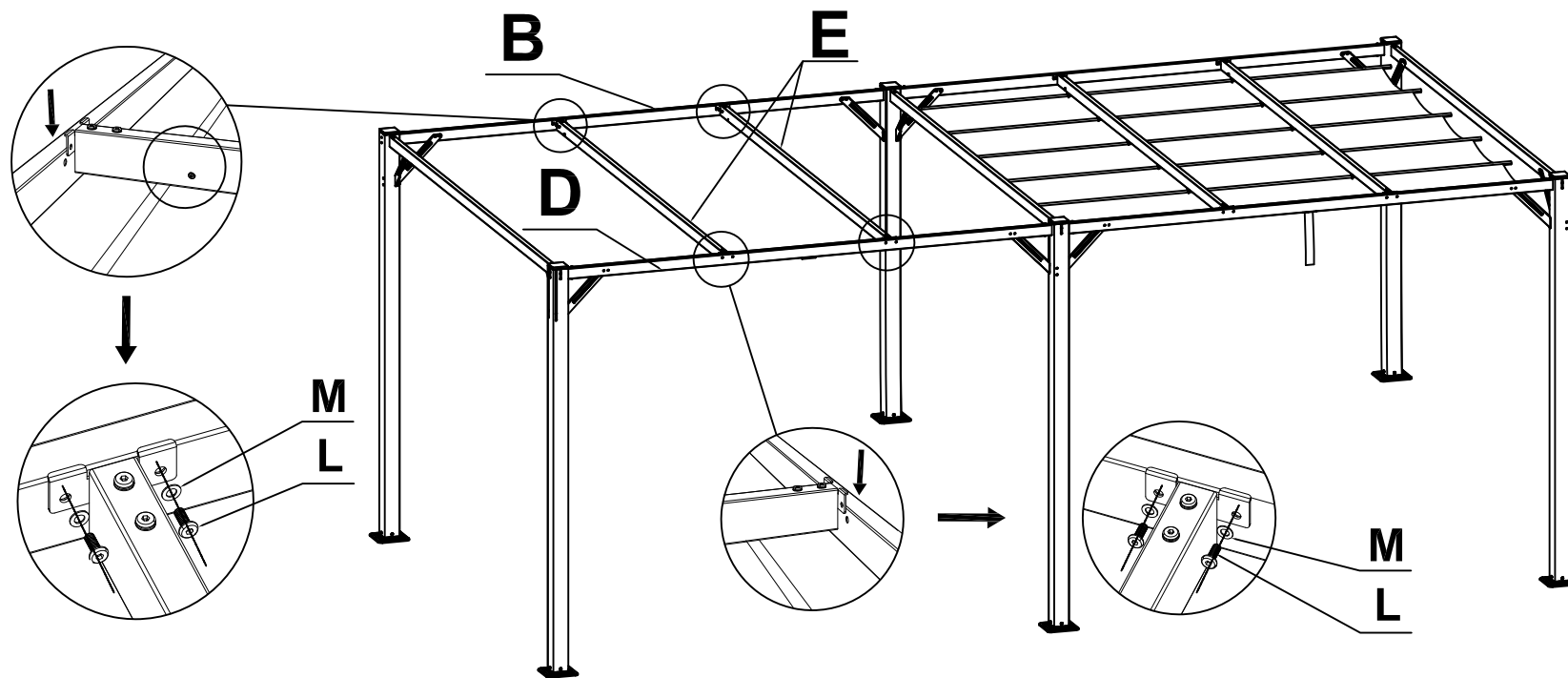
7



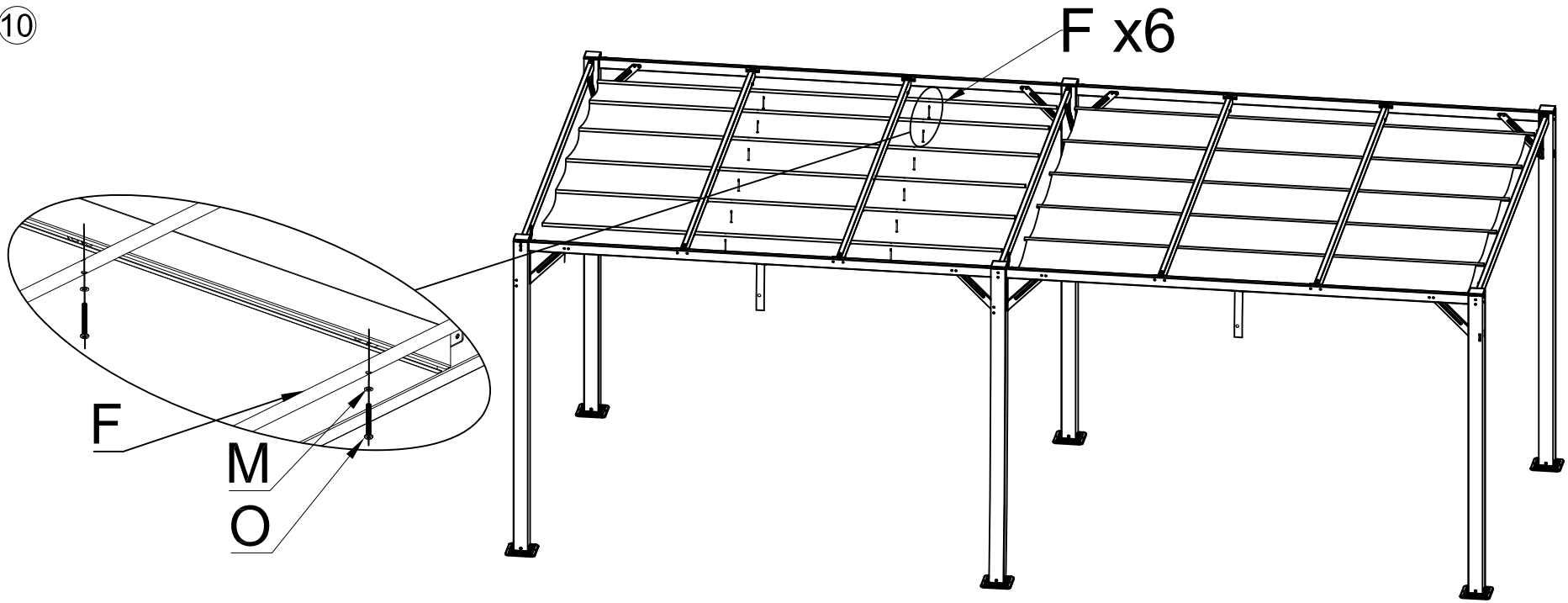
8



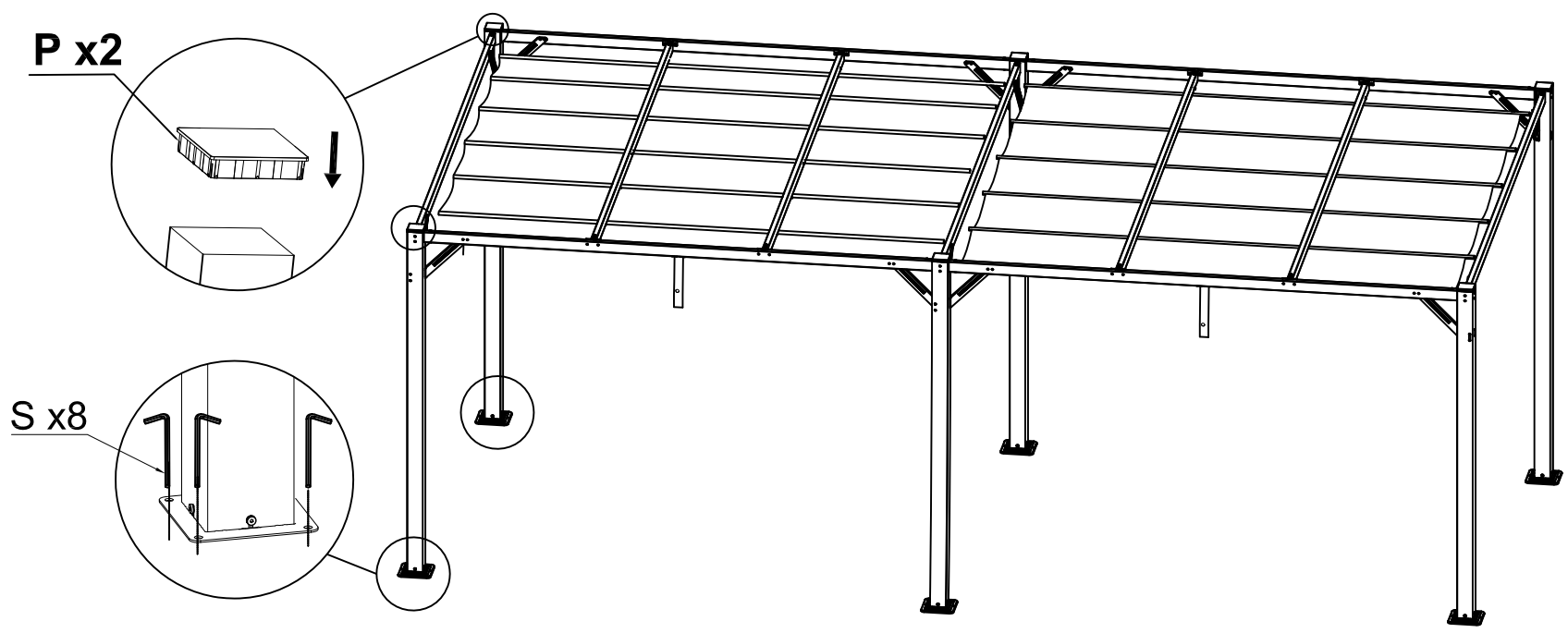
9



10



11



DANCOVER[®]

.com

Contact information

Austria



Belgium



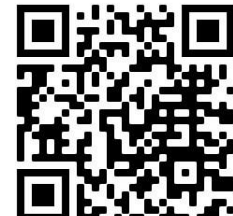
Croatia



Denmark



Estonia



Finland



France



Germany



Ireland



Italy



Latvia



Lithuania



Nederland



Norway



Poland



Portugal



Spain



Sweden



Switzerland



UK



For more information please visit: www.dancovershop.com