

MODULARO™

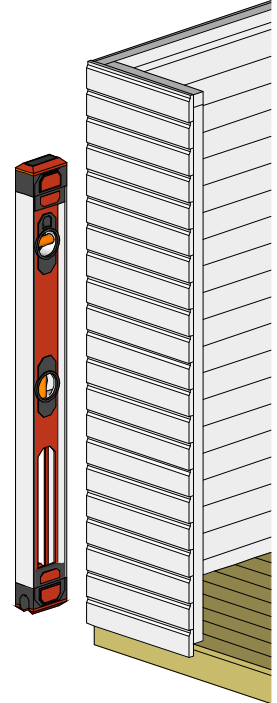
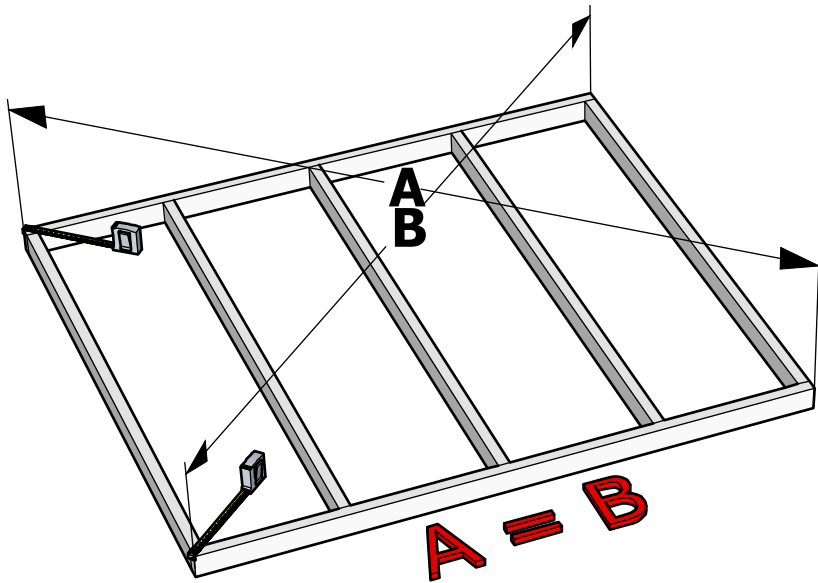
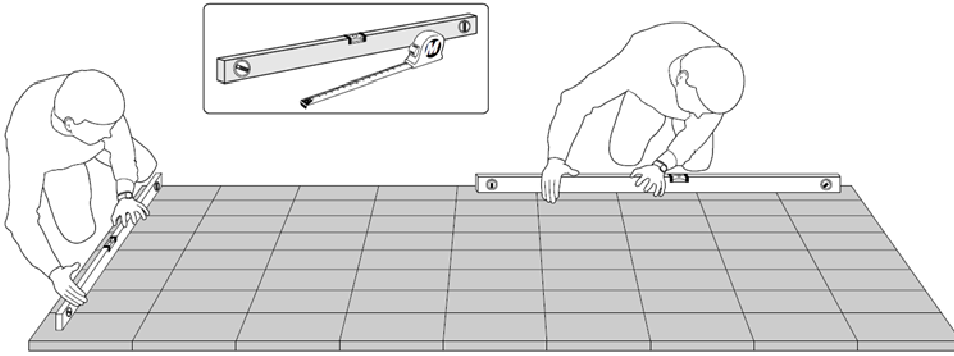
WOODEN GREENHOUSE AIGLE

2,1X3,1X2,59M

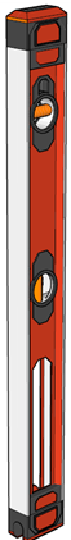
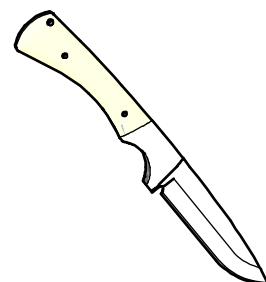
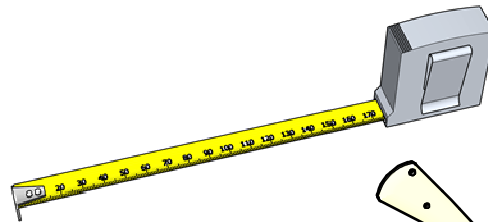
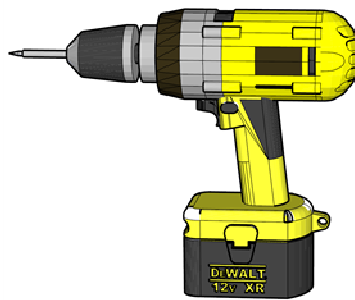
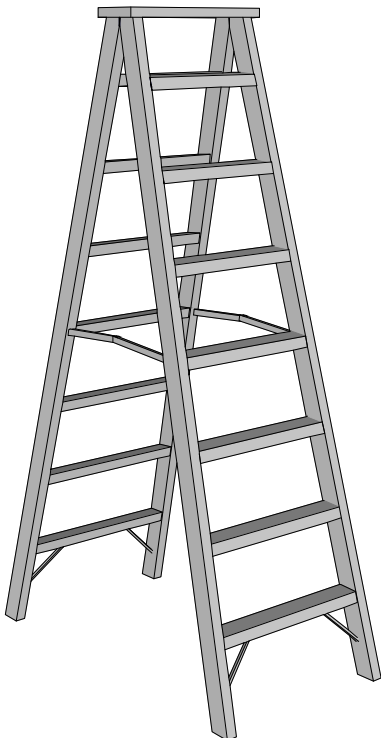


Assembly instruction Greenhouse Aigle

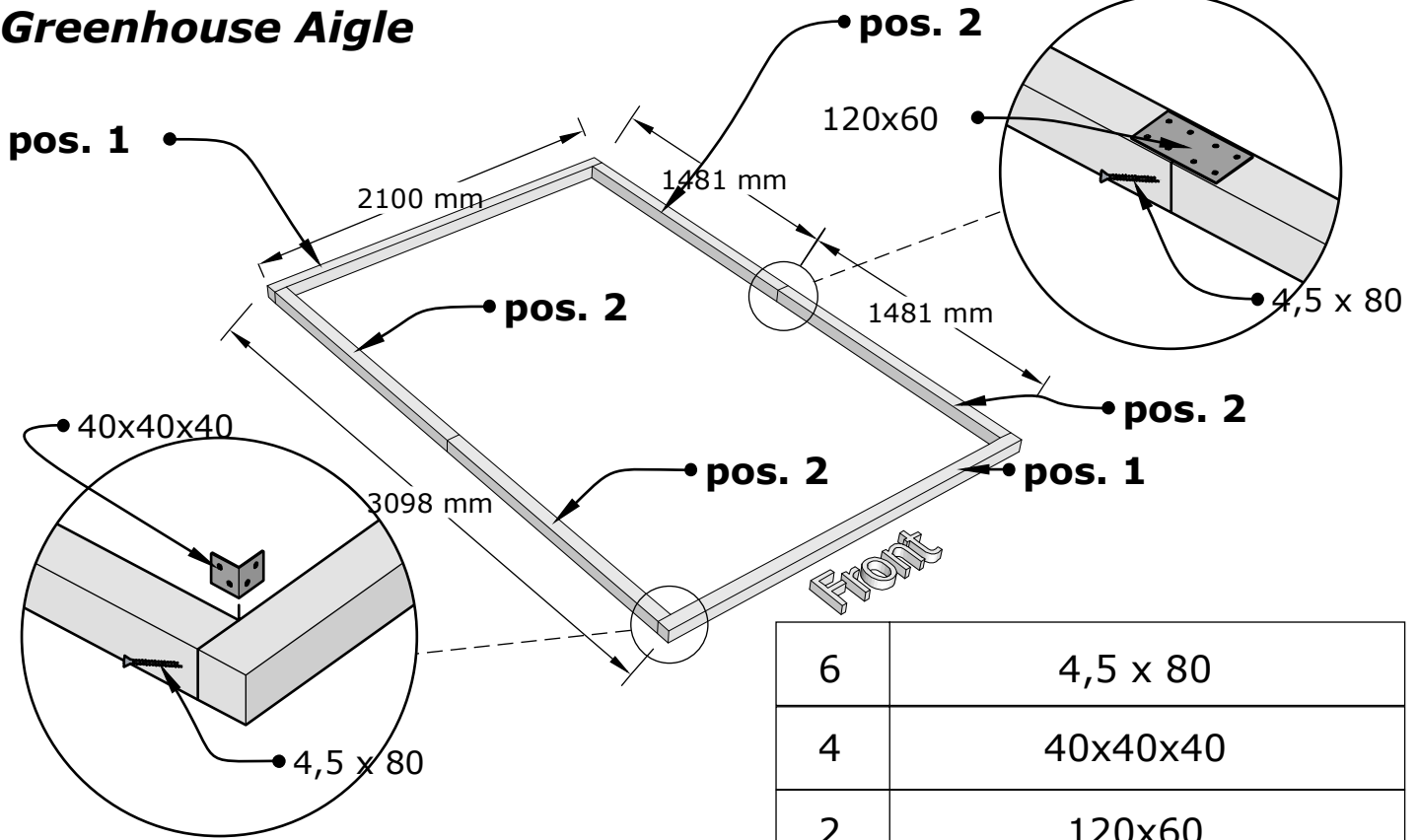
IMPORTANT !



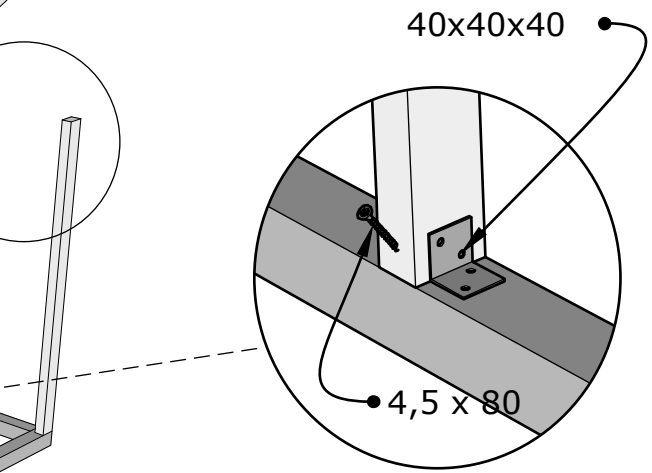
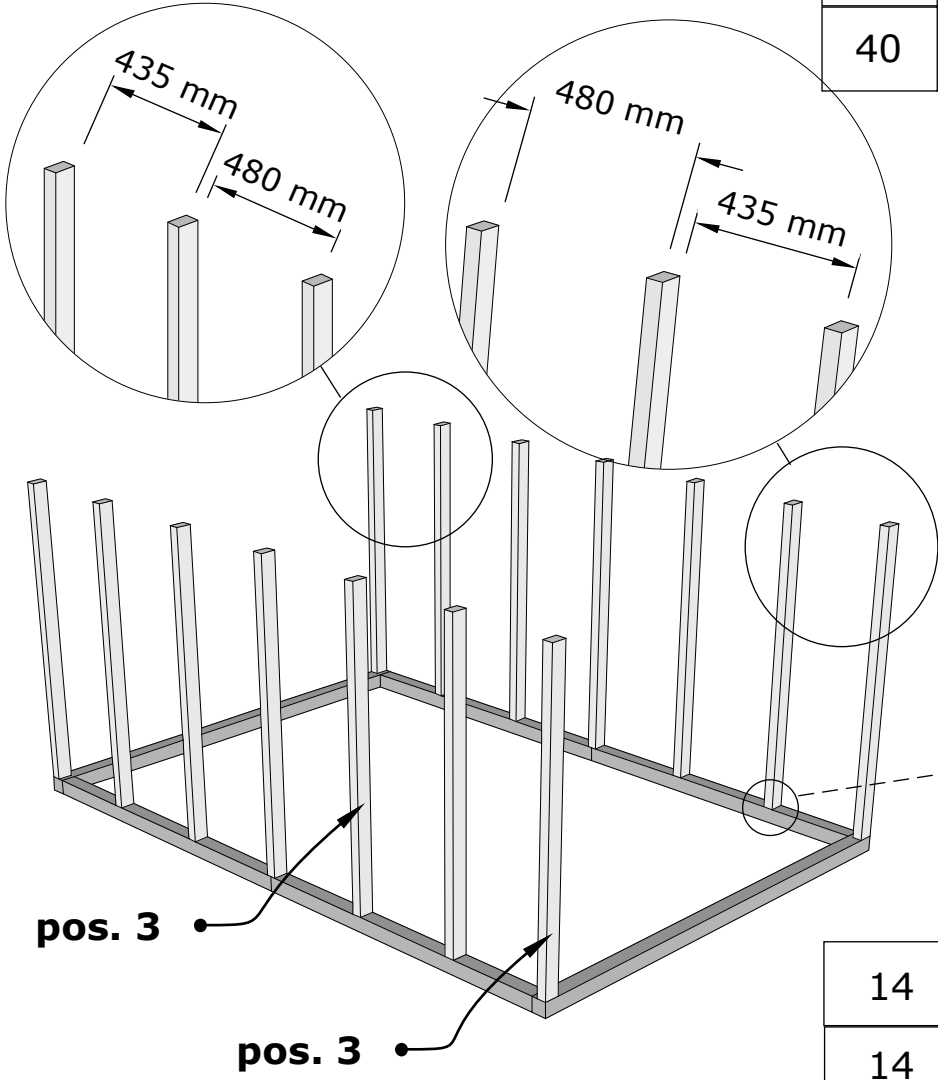
TOOLS



Assembly instruction Greenhouse Aigle

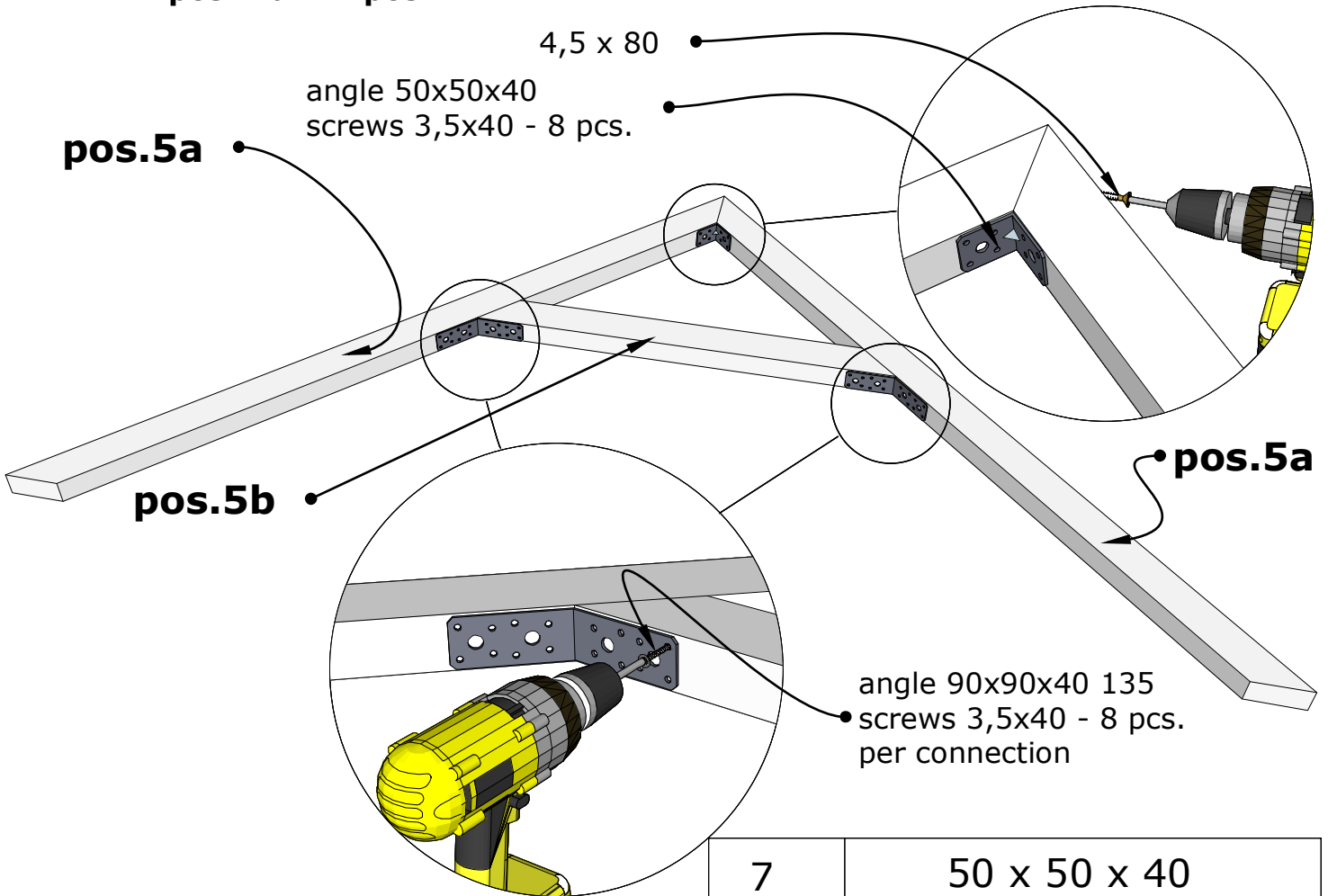
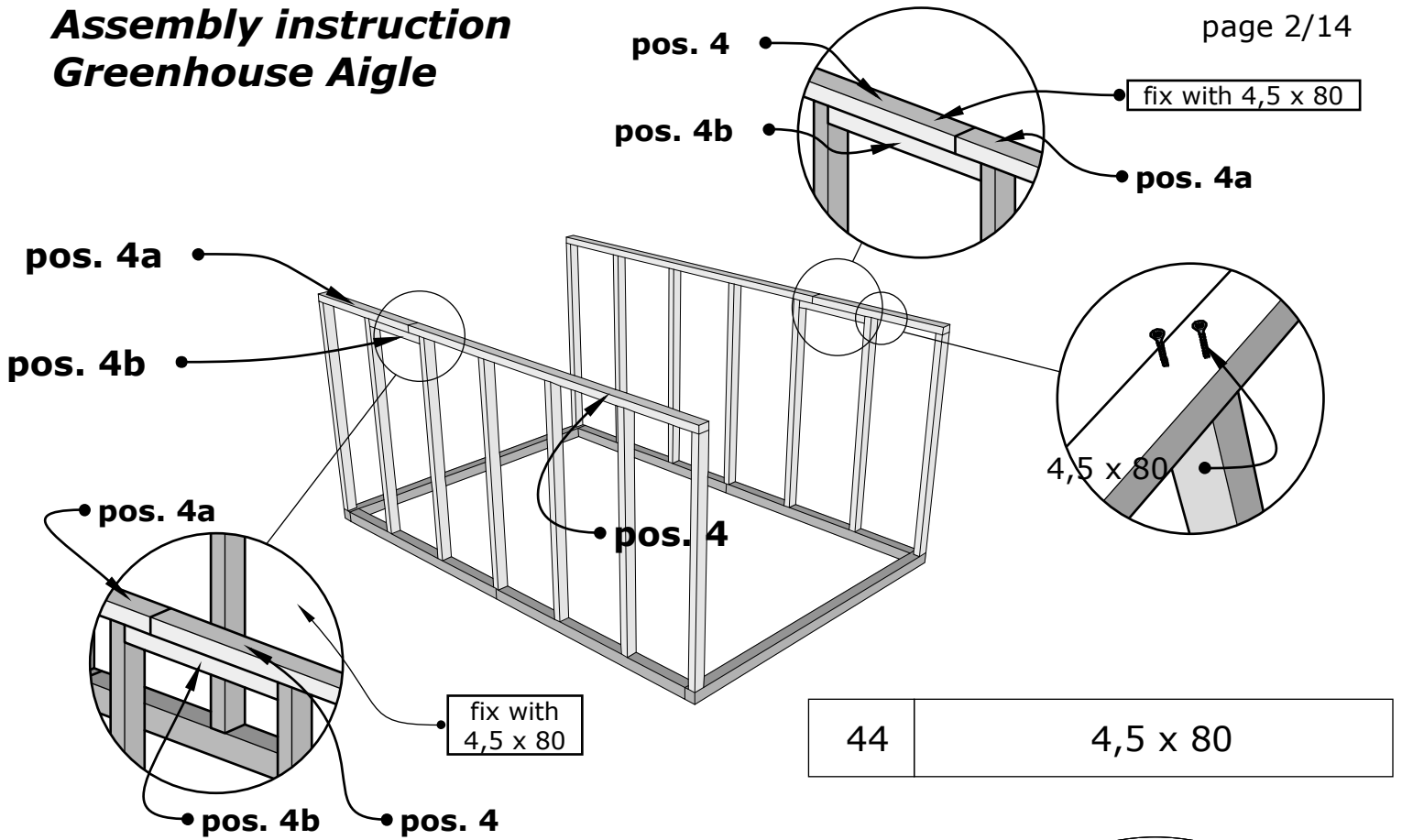


6	4,5 x 80
4	40x40x40
2	120x60
40	3,5 x 40

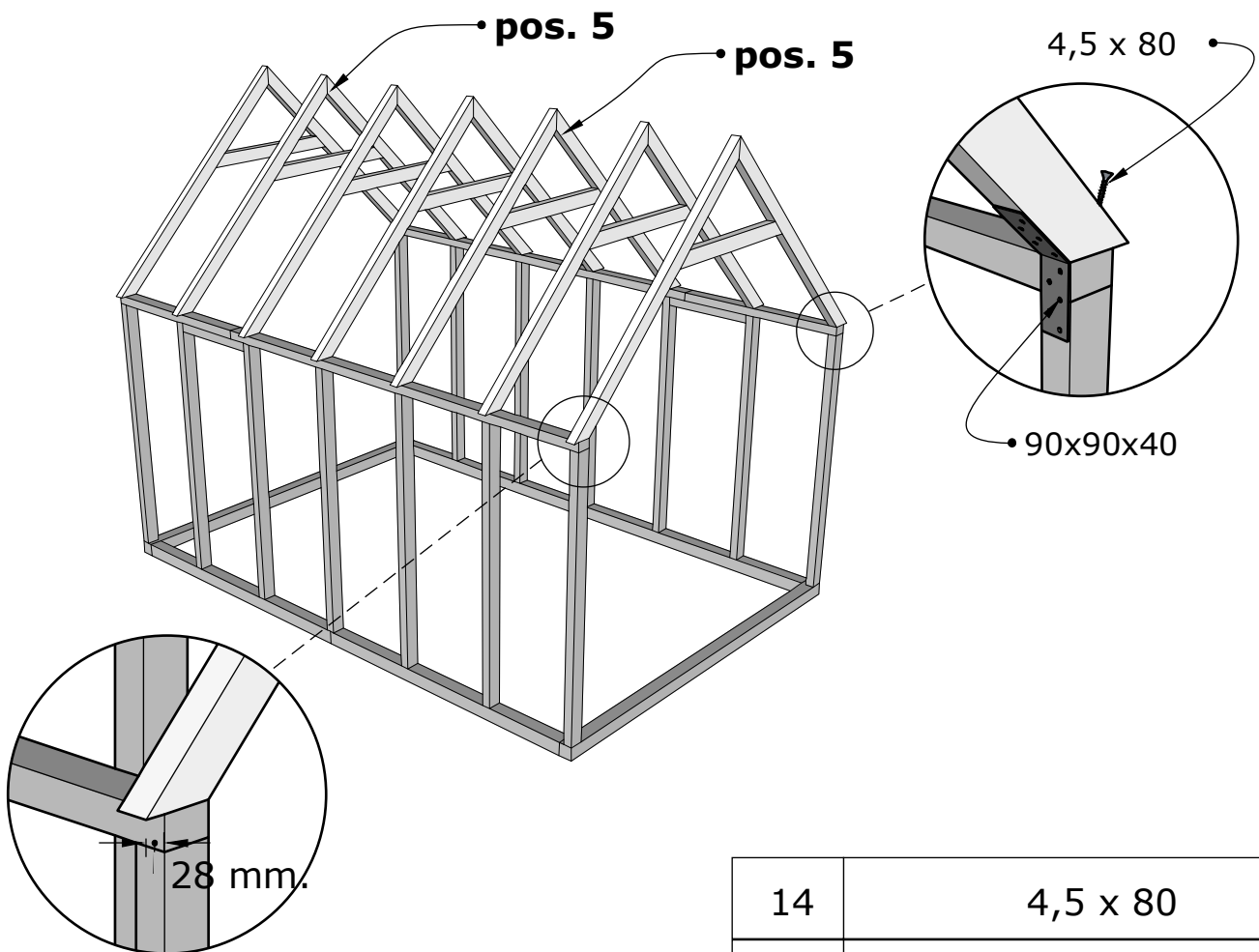
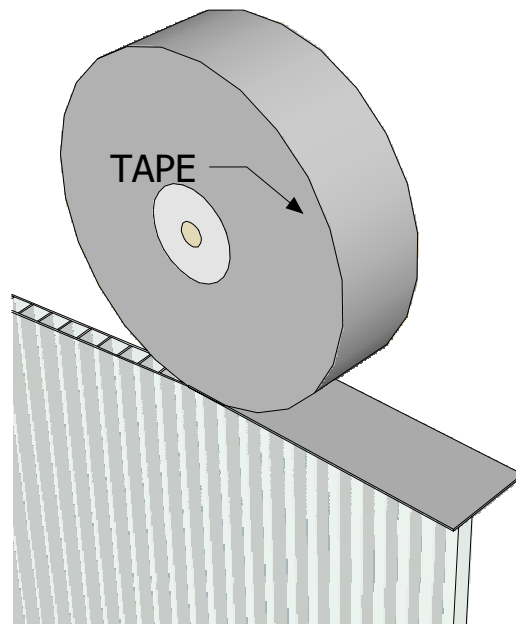


14	4,5 x 80
14	40x40x40
84	3,5 x 40

Assembly instruction Greenhouse Aigle

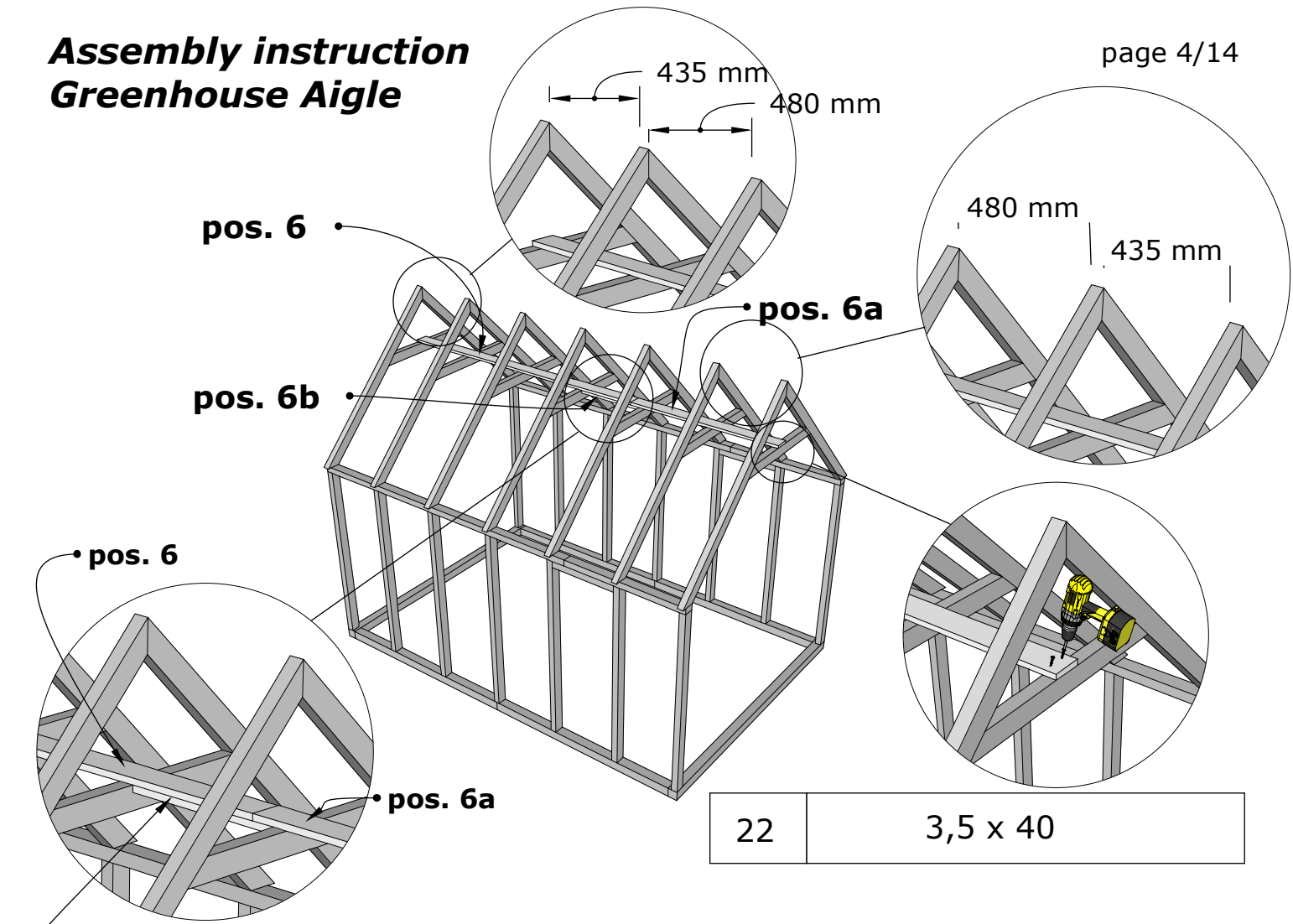


please tape the ends of the polycarbonate elements before installation!

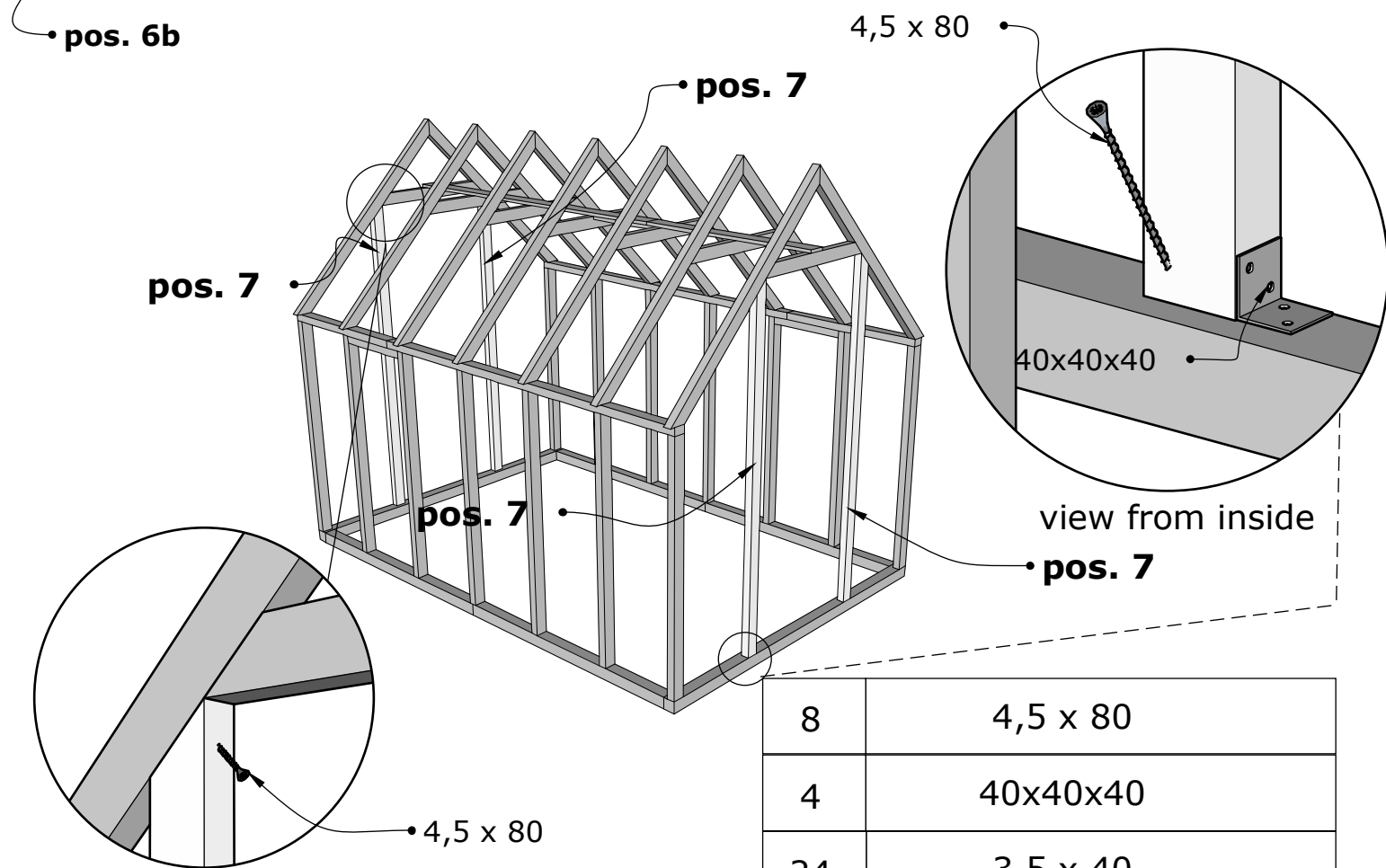


14	4,5 x 80
14	90x90x40
112	3,5 x 40

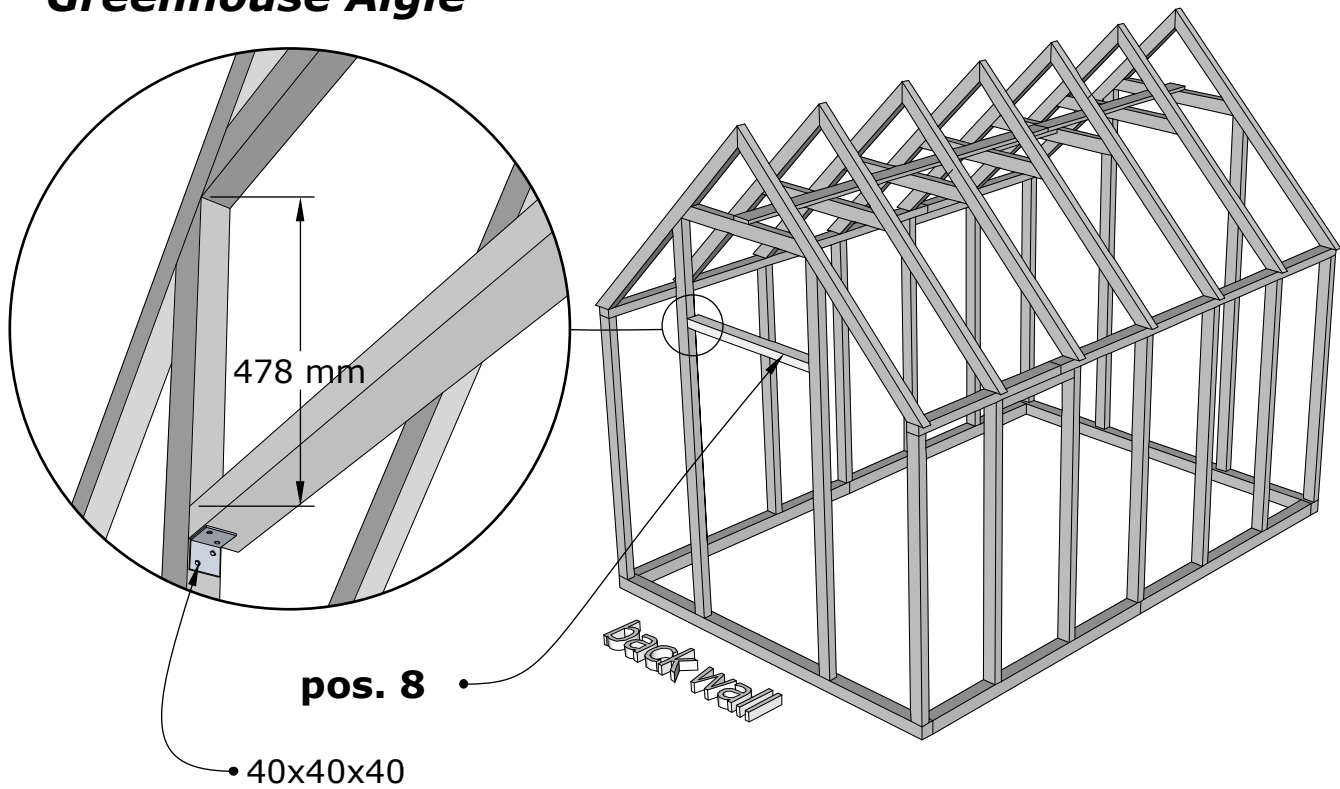
Assembly instruction Greenhouse Aigle



22	3,5 x 40
----	----------



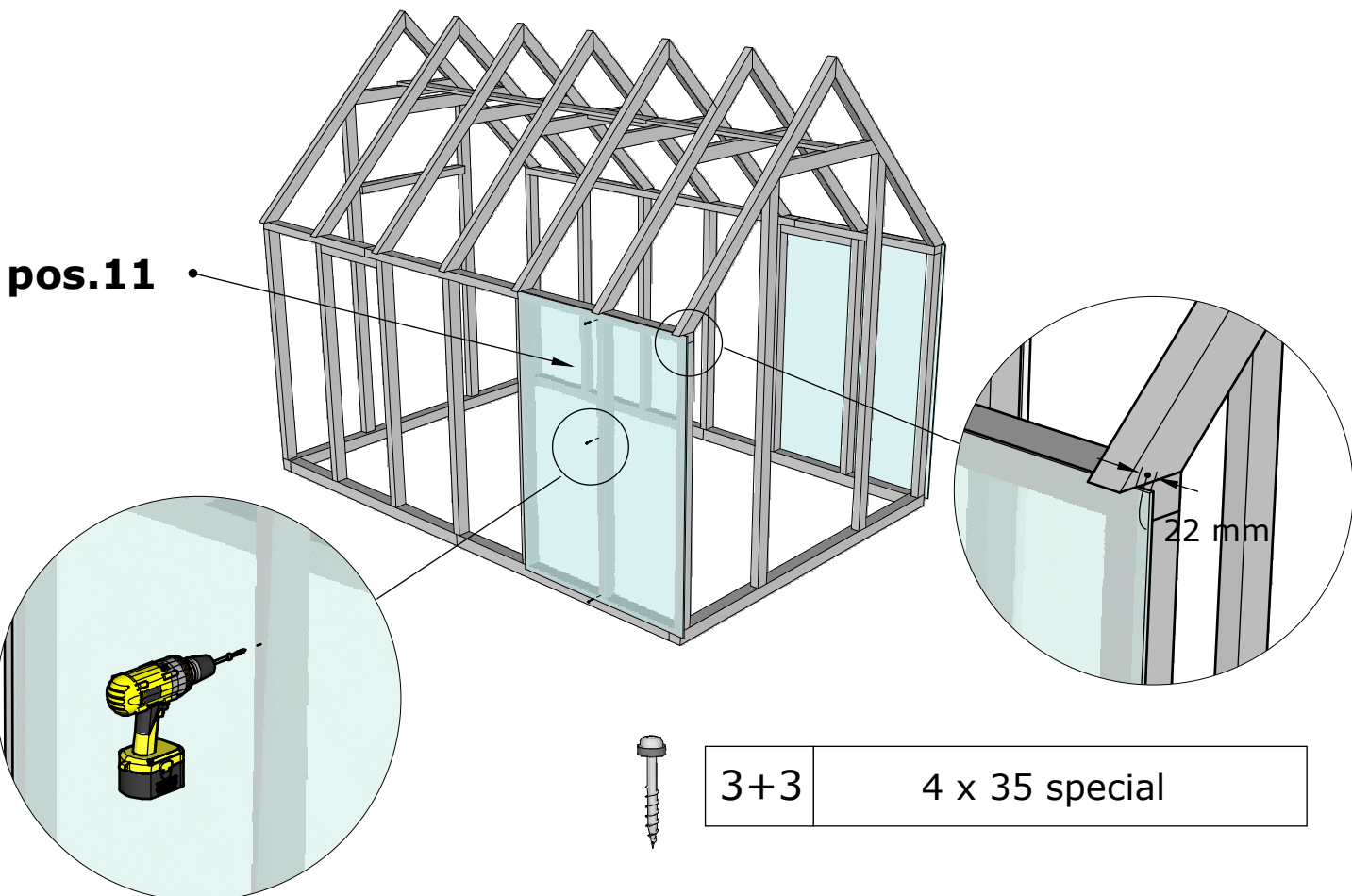
8	4,5 x 80
4	40x40x40
24	3,5 x 40



pos. 8

• 40x40x40

2	40x40x40
12	3,5 x 40

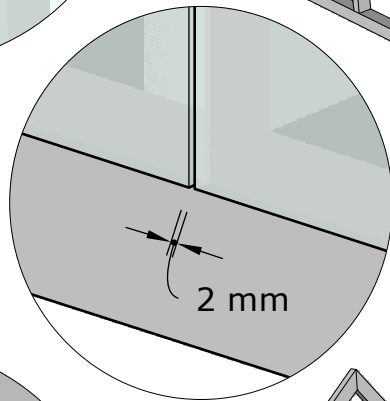
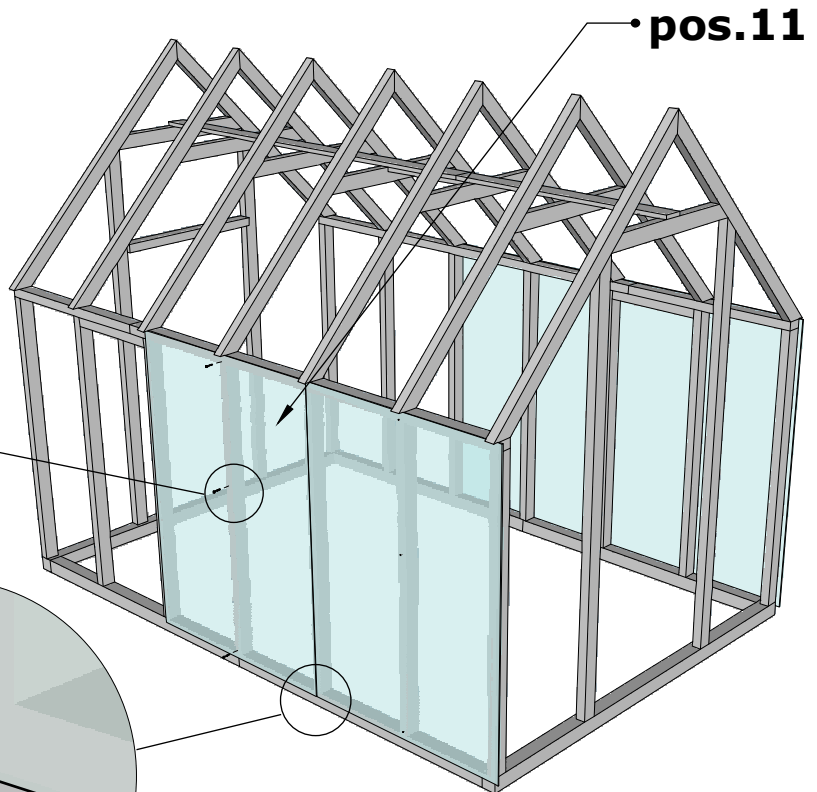
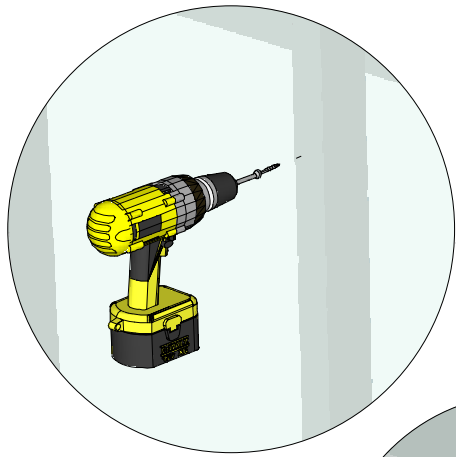


pos.11

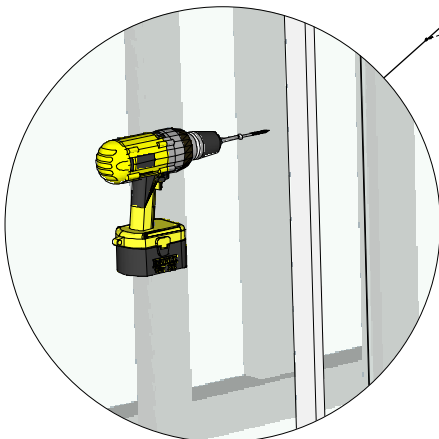
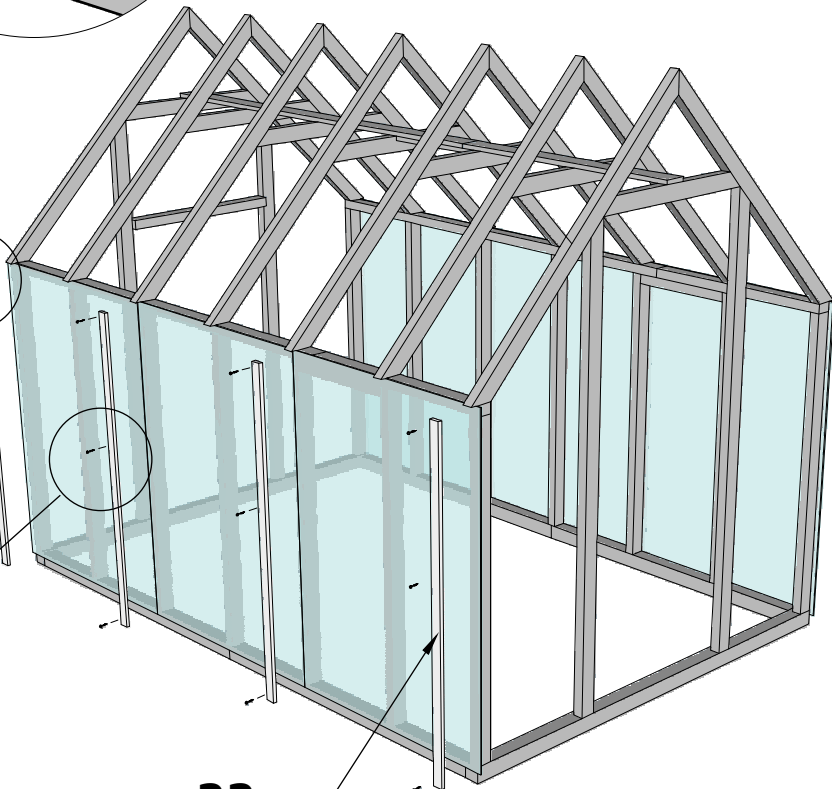
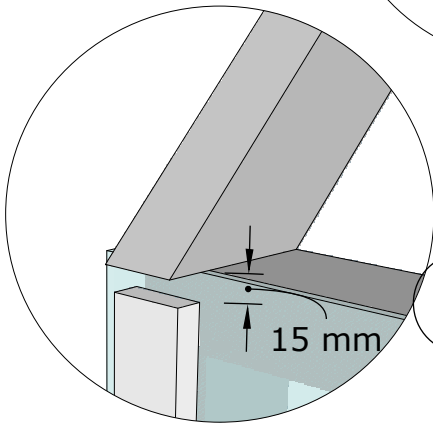
22 mm

3+3

4 x 35 special



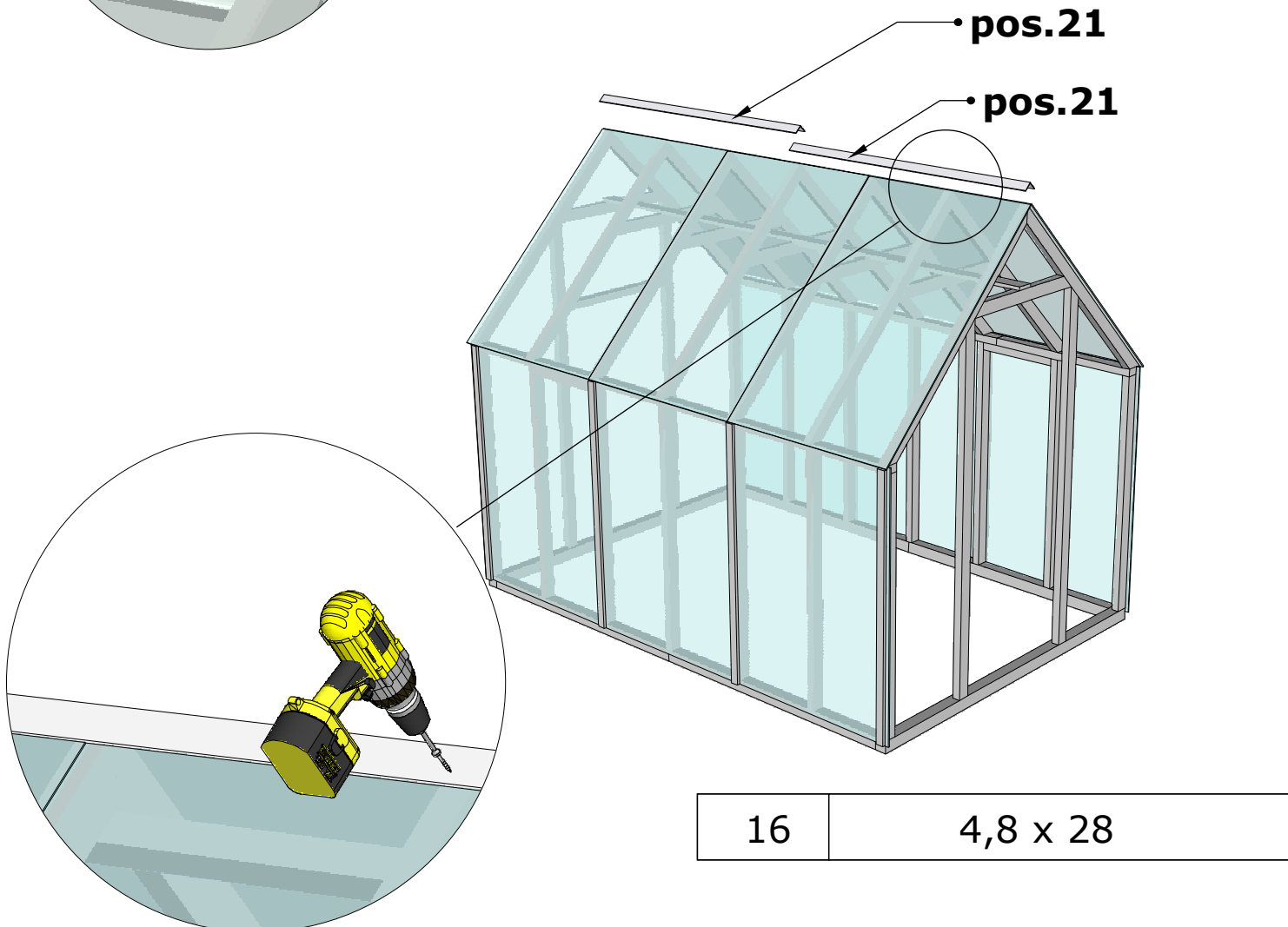
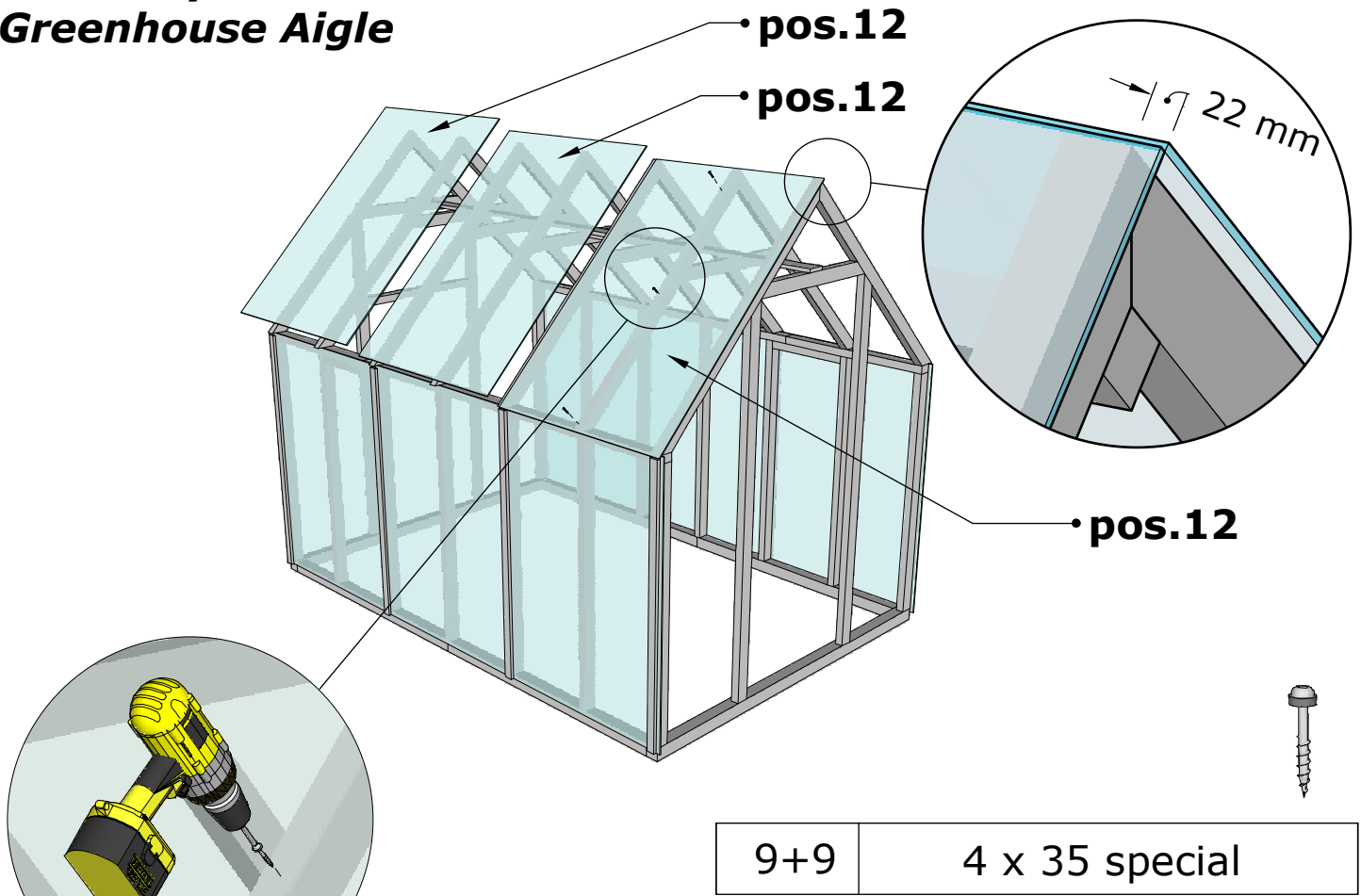
3+3	4 x 35 special
-----	----------------



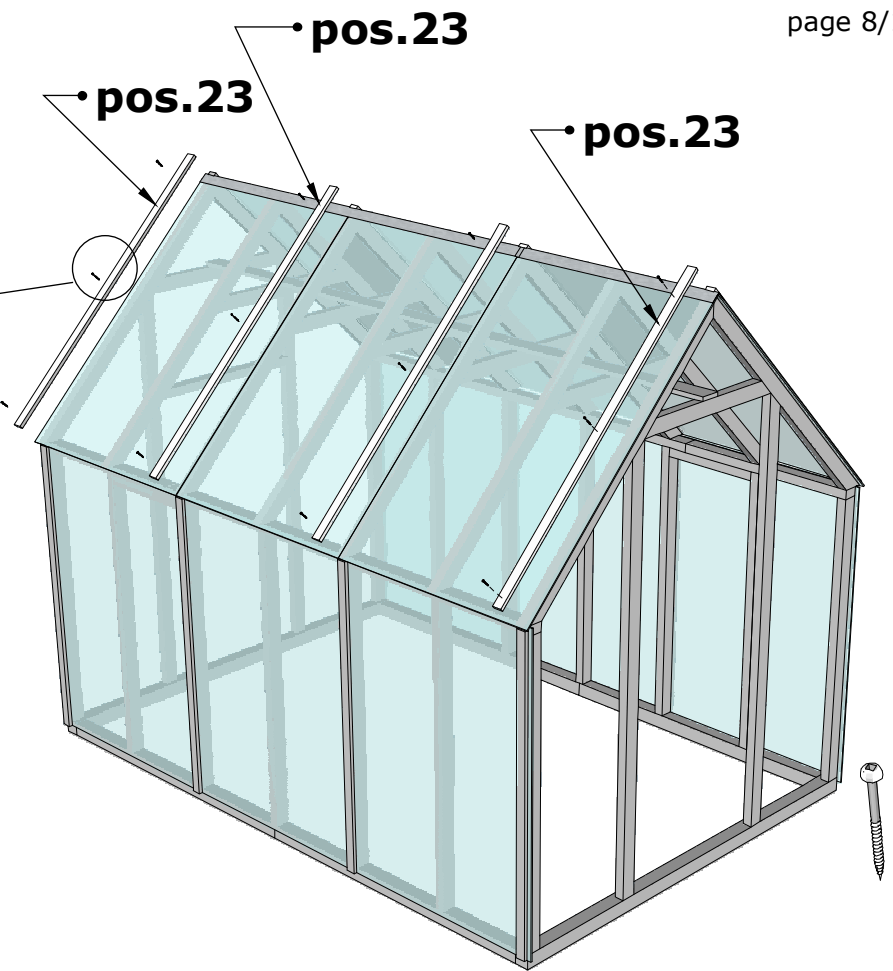
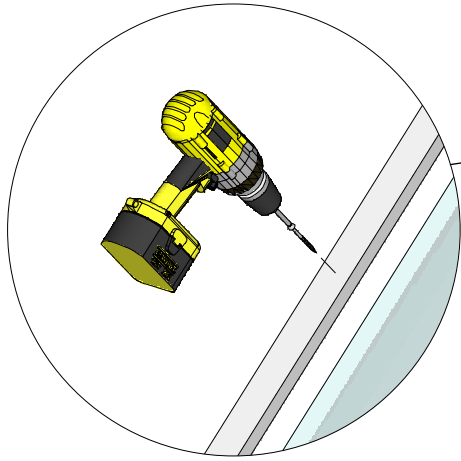
pos.22

24	3,5 x 50
----	----------

Assembly instruction Greenhouse Aigle



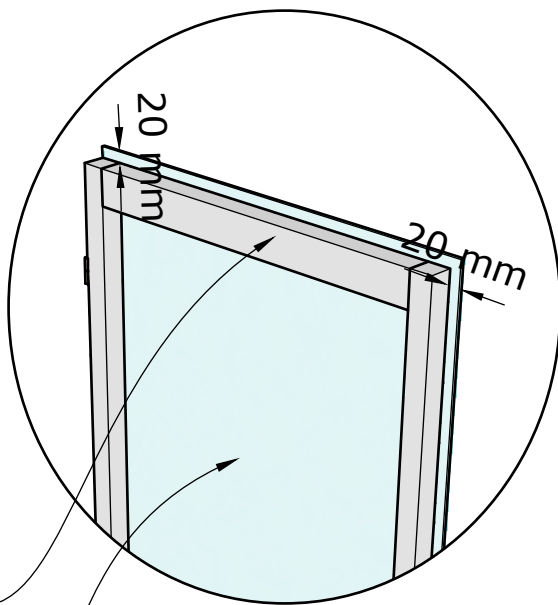
Assembly instruction Greenhouse Aigle



24	3,5 x 50
----	----------

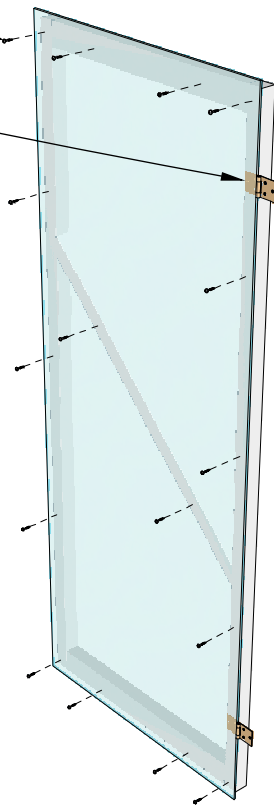
4,2 x 28

polycarbonate must be mounted on the hinges

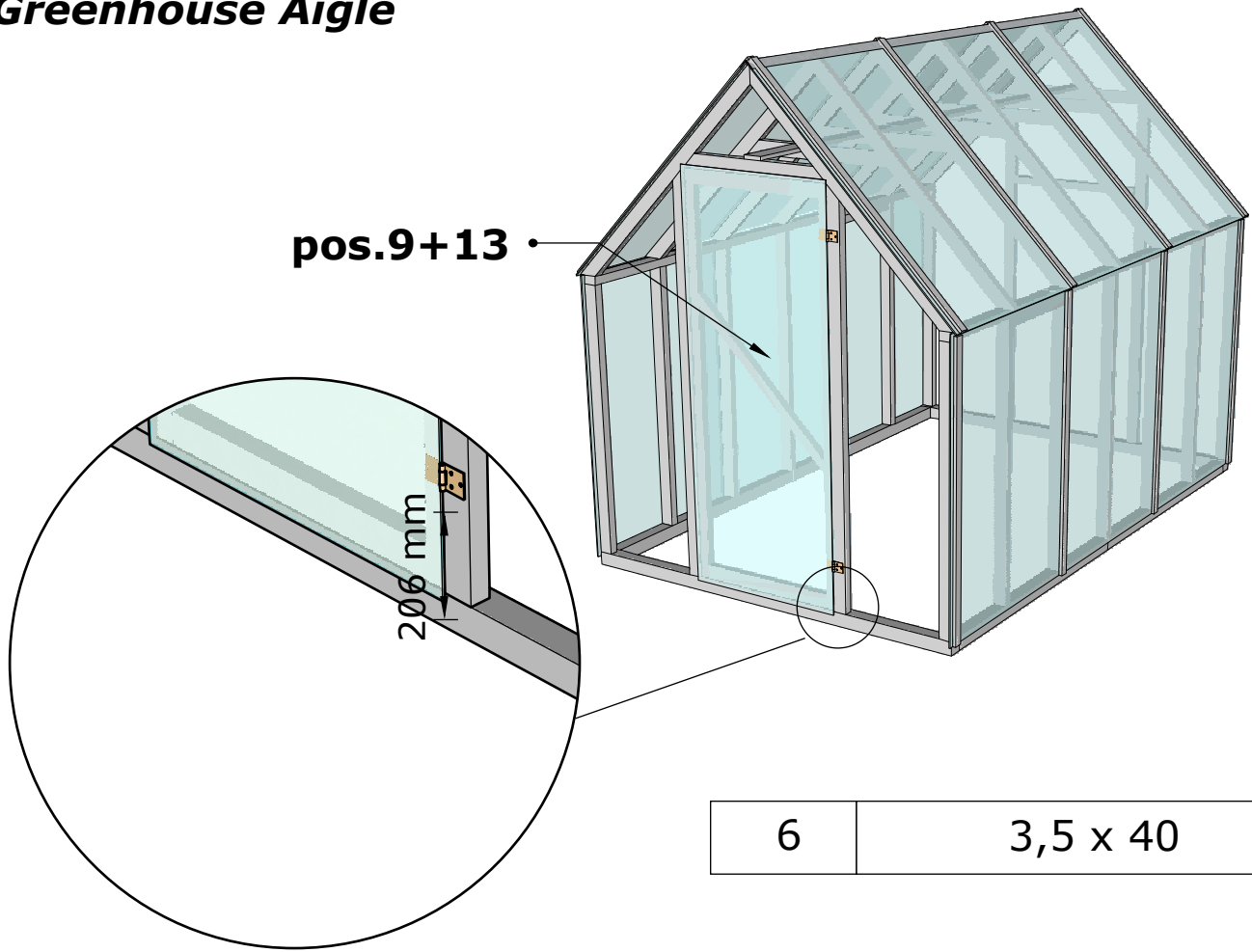


pos. 9

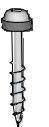
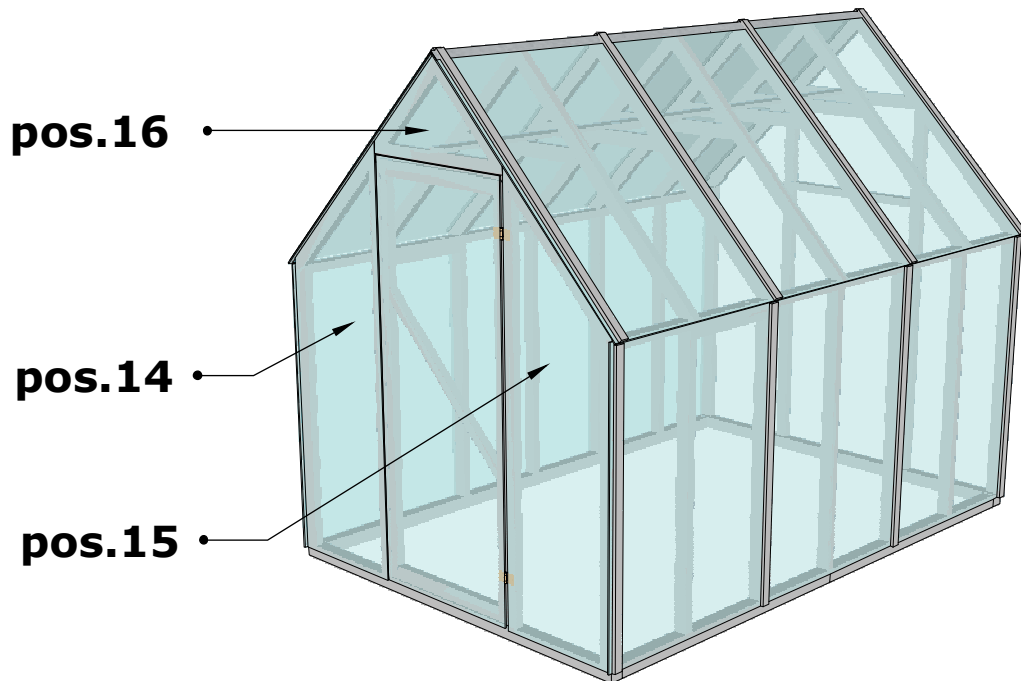
pos. 13



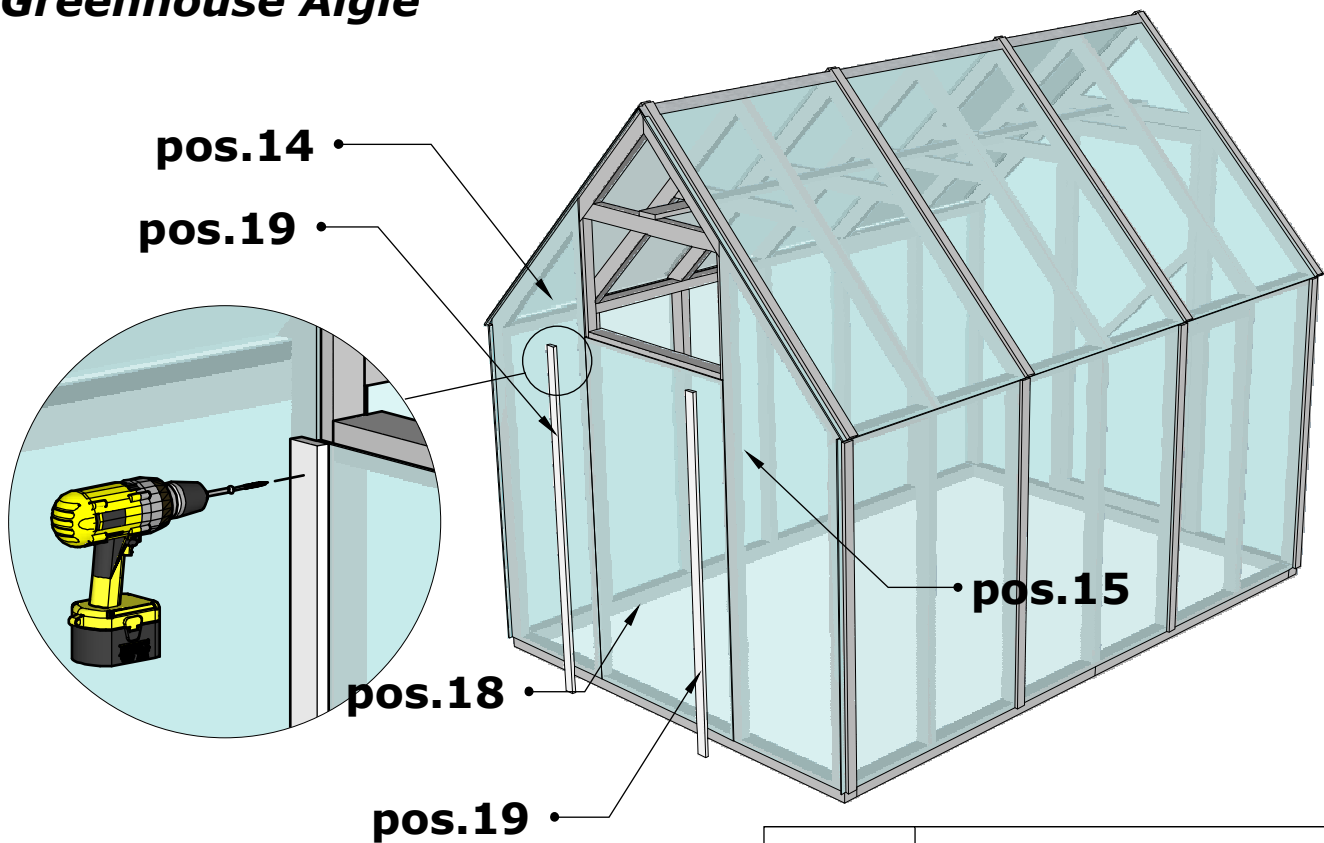
16	4 x 35 special
----	----------------



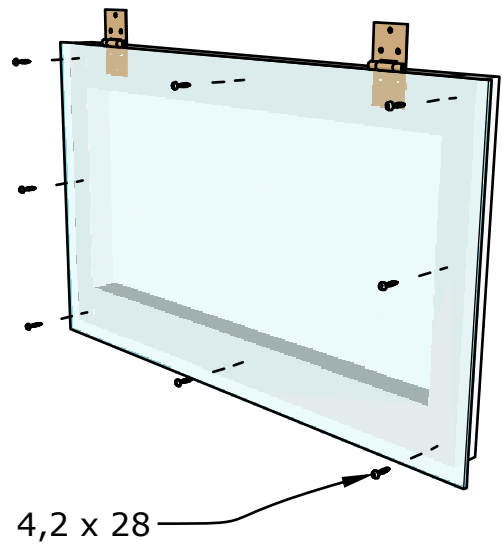
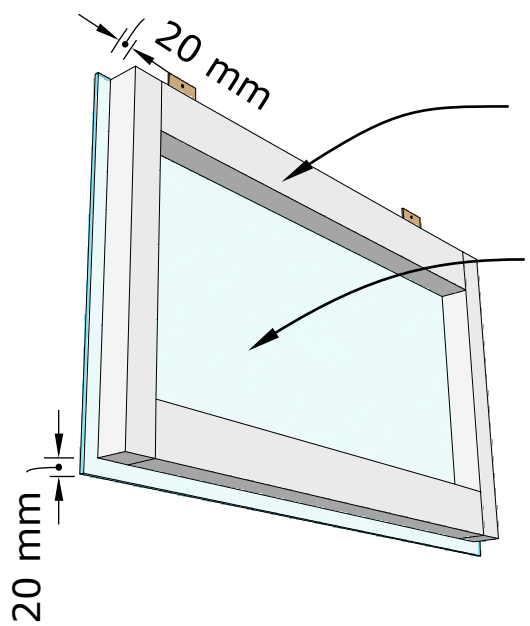
6	3,5 x 40
---	----------



	4 x 3,5 special
--	-----------------

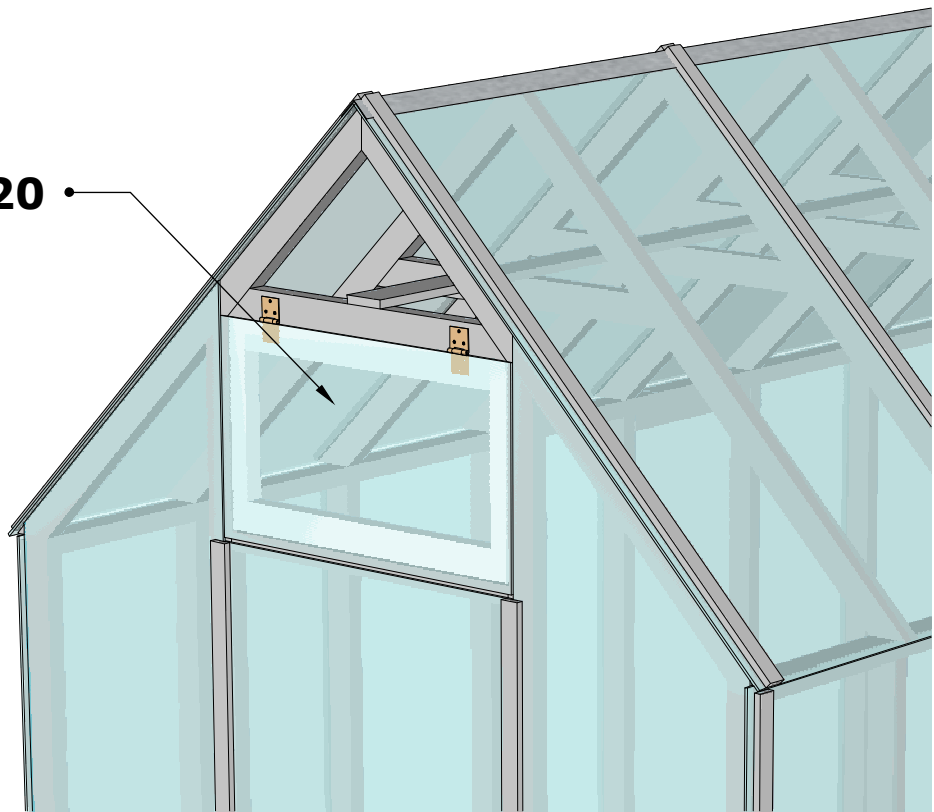


	4 x 35 special
6	3,5 x 50



8	4 x 35 special
---	----------------

pos.10+20

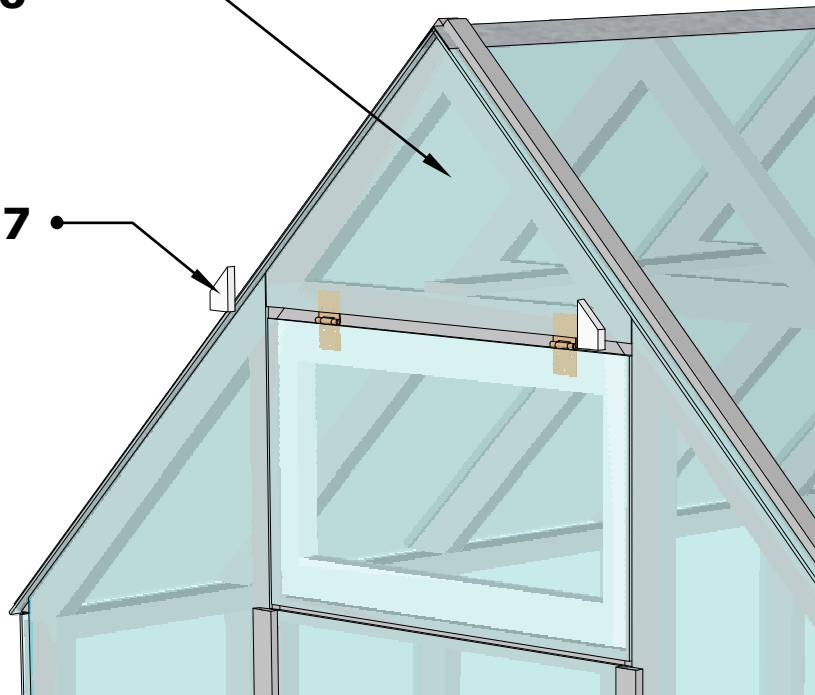


6

3,5 x 40

pos.16

pos.17

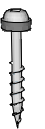


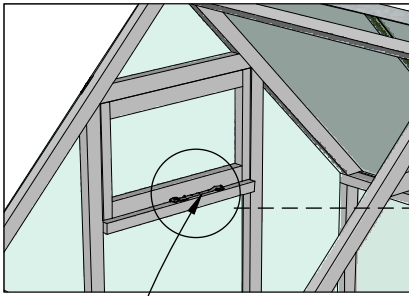
7

4 x 35 special (pos.16)

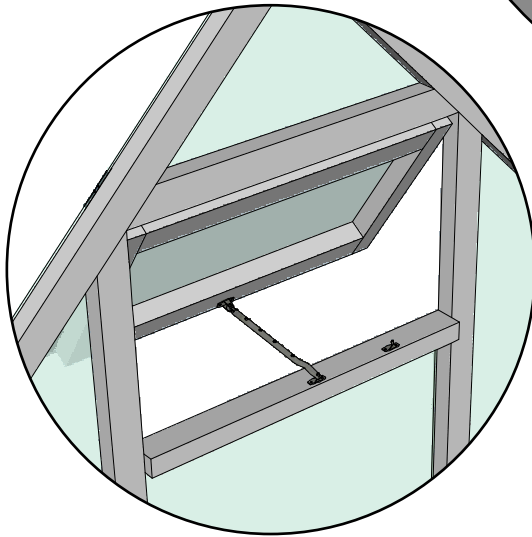
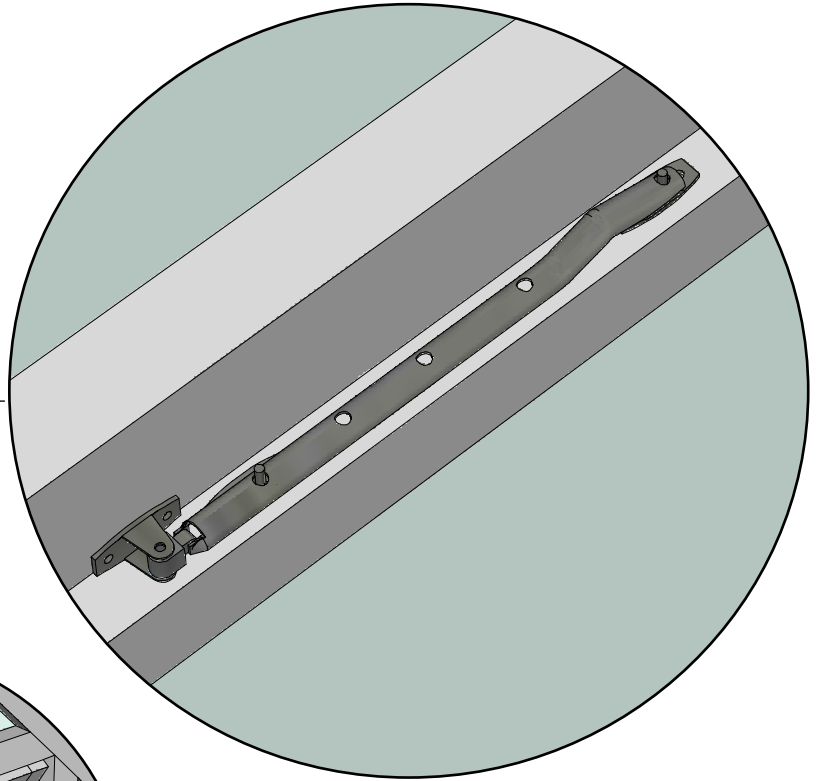
8

3,5 x 50 (pos.17)

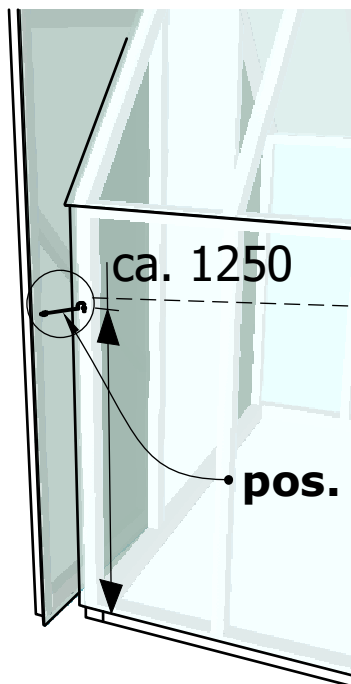




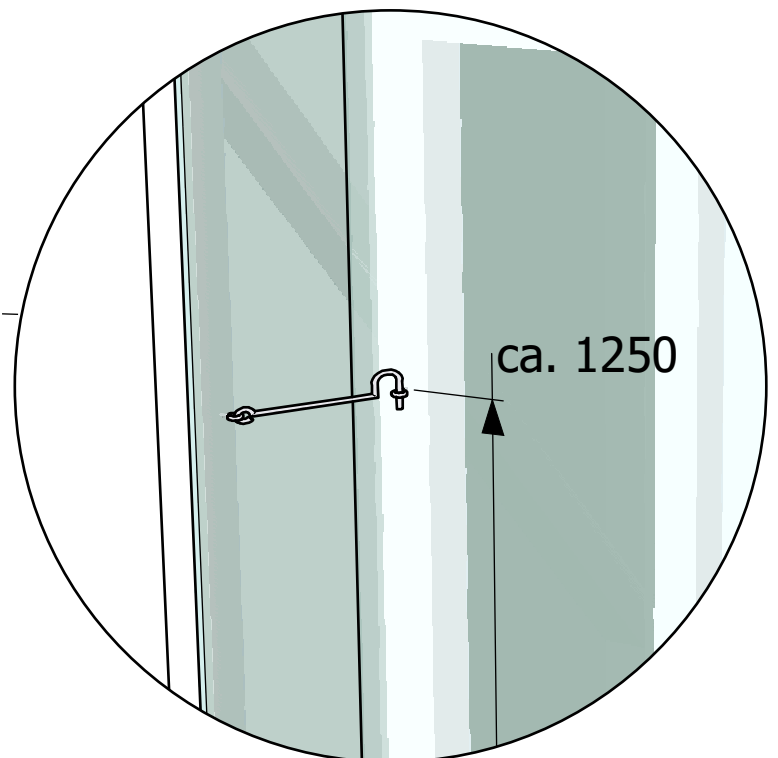
• **pos. 29**



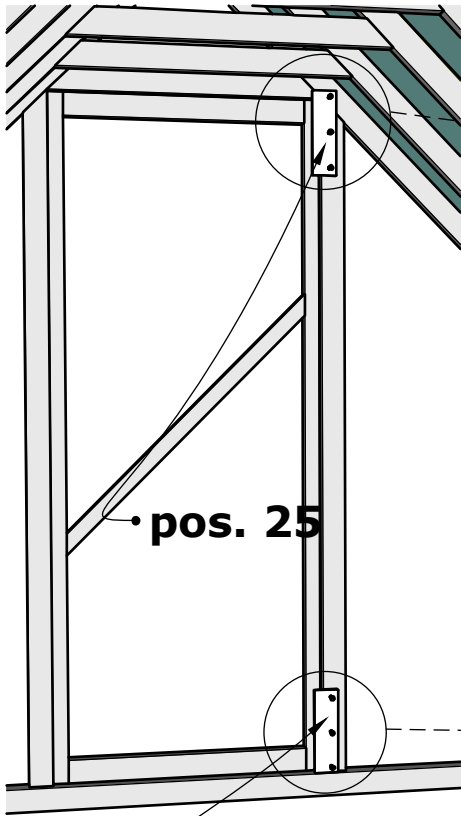
6	3,5 x 40
---	----------



• **pos. 27**

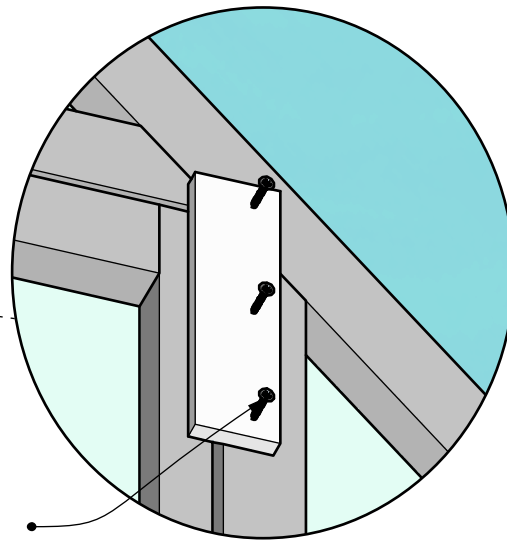


Assembly instruction Greenhouse Aigle

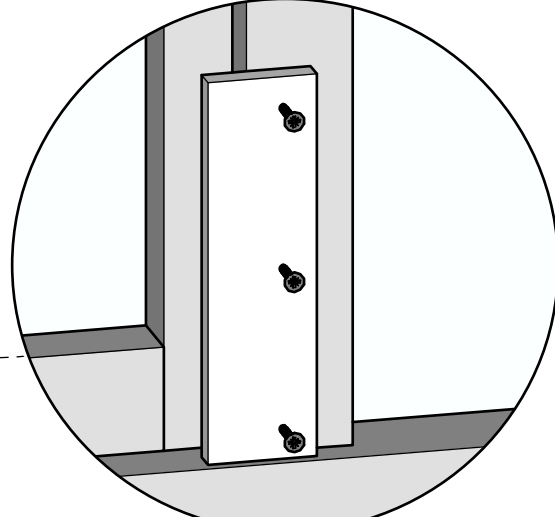


• pos. 25

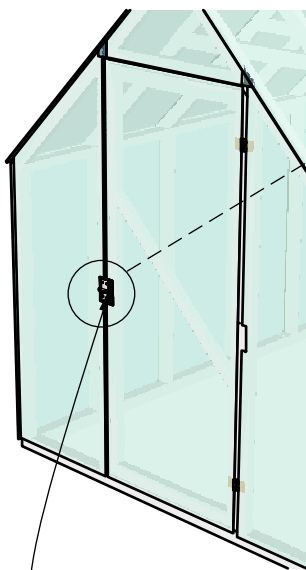
• pos. 25



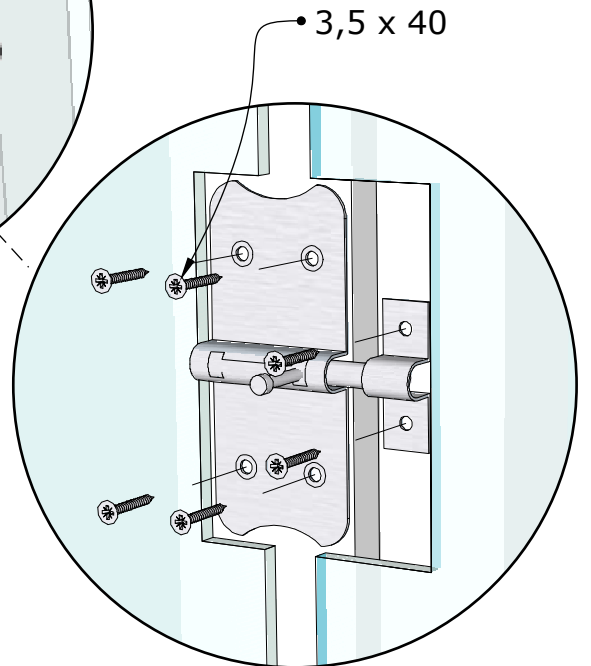
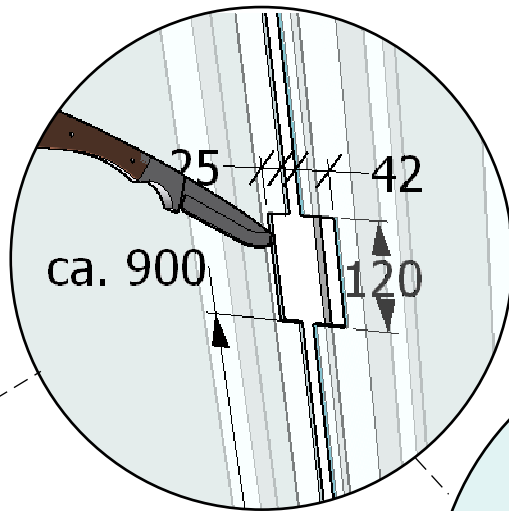
3,5 x 40



6	3,5 x 40
---	----------

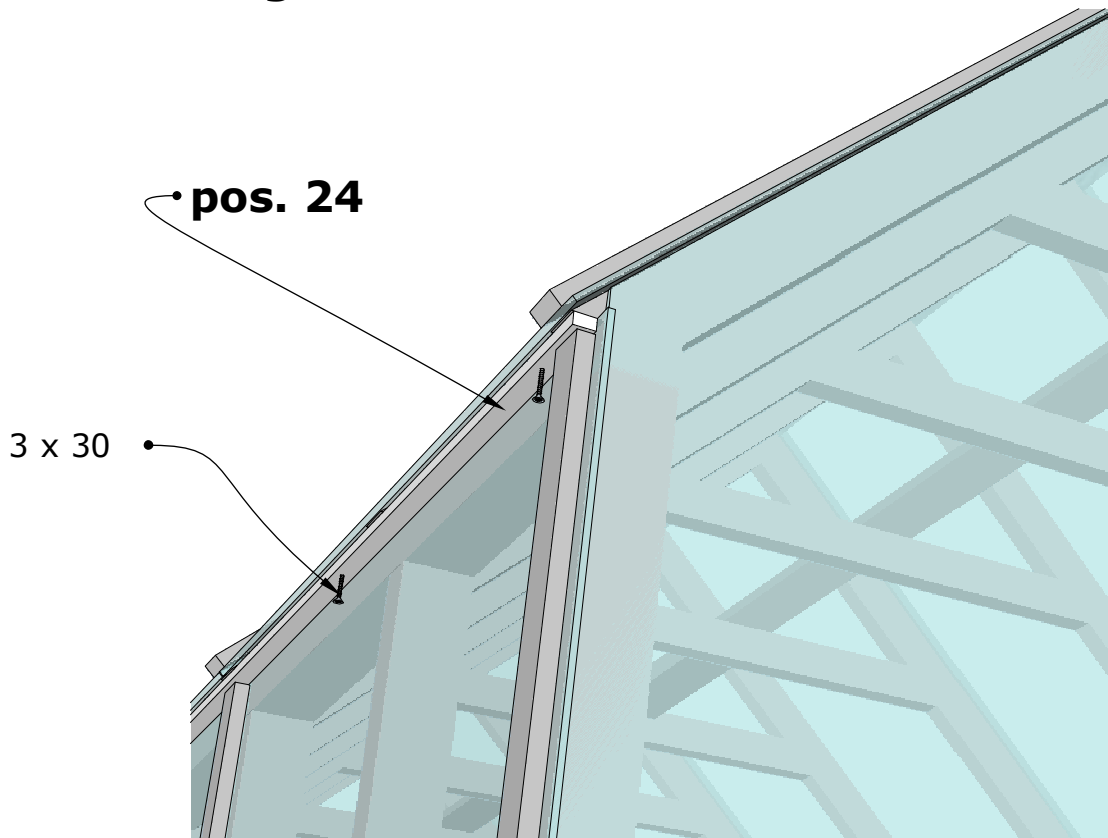


• pos. 28

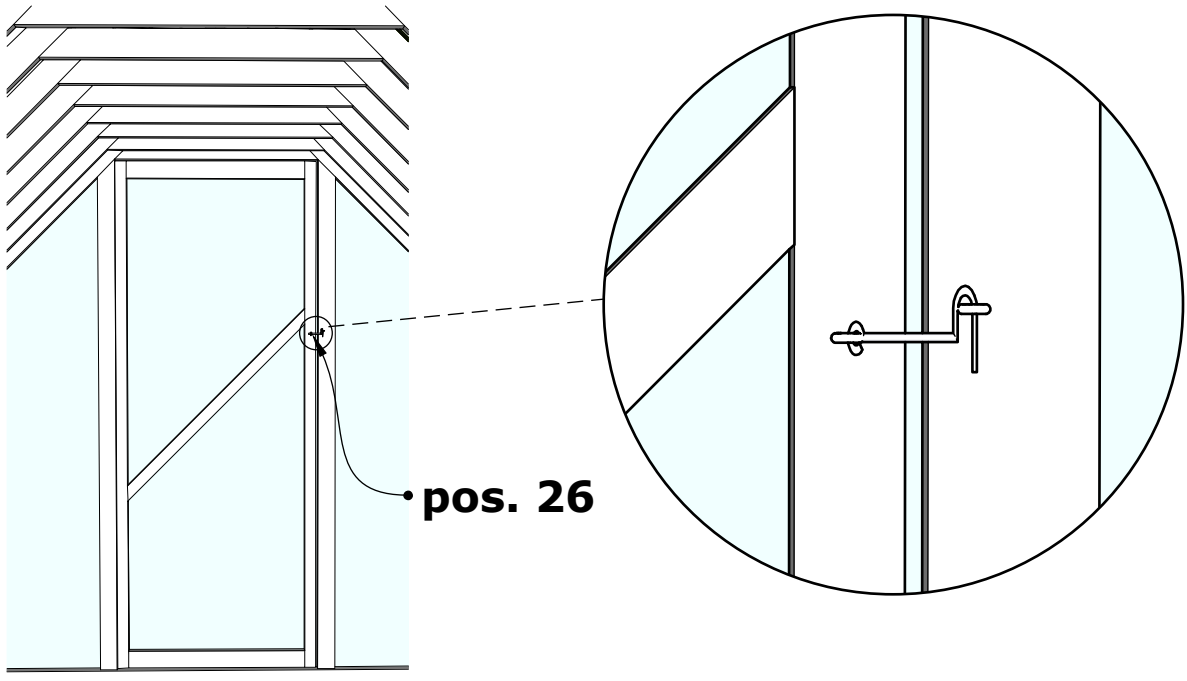


• 3,5 x 40

6	3,5 x 40
---	----------



14	3 x 30
----	--------



Contact information

Austria



Belgium



Croatia



Denmark



Estonia



Finland



France



Germany



Ireland



Italy



Latvia



Lithuania



Nederland



Norway



Poland



Portugal



Spain



Sweden



Switzerland



UK

