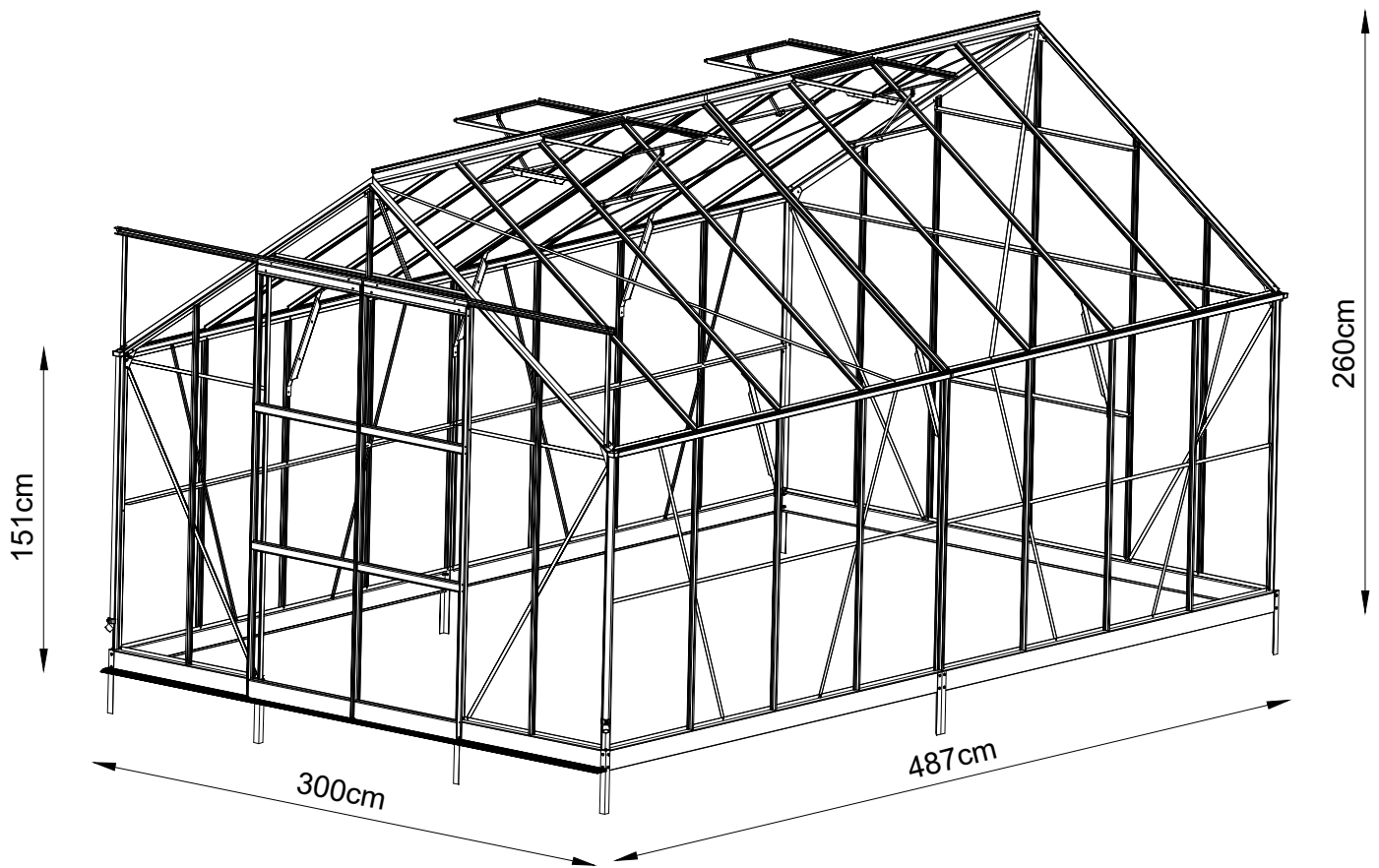


DANCOVER[®]

.com

Manual
for
Greenhouse
3x4,87x2,6m

Greenhouse Assembly Instructions



Dimensions (LxWxH) : 487x300x260cm

Dear customer,

Congratulations on the purchase of your new Greenhouse.

Please carefully read the following guide before commencing construction.

Warning: *Before undertaking any work on your greenhouse take all the necessary time to identify any possible hazards including underground and overhead power lines and underground water pipes etc.*

Site Selection.

A sunny, unobstructed, north facing position that is sheltered from strong winds is best to maximize the potential of your greenhouse.

Your greenhouse should be placed on a flat and level surface. There are many foundation options that may suit your requirements. Greenhouses come with Internal mounting options to suit most needs.

Access to water and/or electricity should be considered at an early stage and before solid foundations are laid. It is advisable to have enough access around your new greenhouse for both Installation and maintenance.

Setting out.

Securing directly to the soil.

Assemble the aluminium frame and position (unglazed) onto proposed site prior to digging your post holes, This will allow you to locate and to mark the exact position of post holes for anchoring.

Once you have marked your anchor positions move the glasshouse frame to allow the holes to be drilled/dug. A minimum hole depth of 600mm and diameter of 200mm is recommended.

Once the anchor pegs have been attached to the base and corner brackets you can lift the greenhouse above holes and lower to ground level.

Once you are satisfied with the final position and you have ensured the frame is square, level and plumb concrete can be poured into anchor holes.

If preferred all holes can be dug using the internal measurements of the base as a guide. This is a more simple method although it is less exacting.

Securing to a solid base.

Use the base plan supplied in the following instruction manual as a guide to build your solid base whether it be a timber, block or brick nib wall or

Fixings are located internally and are located approximately 55mm inside of the 43mm aluminium base. (To sit and fix on a wall would require a minimum width of 100mm).

Glazing.

Once the aluminium frame is completed and in position glazing can commence,

Although all glass is toughened safety glass it should always be treated as dangerous and with caution.

Make sure the frame is free from debris before commencing,

Beware of wind at all times,

If resting panels during construction a leaning position is recommended over lying flat.

Start with the roof panels and work from one end to the other.

To insert the roof panels lean against the guttering and slide up between the glazing bars until they reach the ridge and drop into place

Glaze the walls by leaning panels between the vertical glazing bars, push up and into the rebate located on the underside of the guttering.

Make sure the bottom of the glass panel is sitting securely on the top of the base.

The panel will look square and plumb and be secured by the groove at the bottom and by the rebate at the top,

Insert the rubbers by using your thumb to push and your index finger to guide you.

All rubbers are made longer than required and are to be trimmed when finished,

If the rubber extrusion seems dry use soapy water to assist when fitting into the glazing bar.

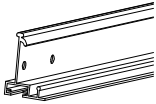
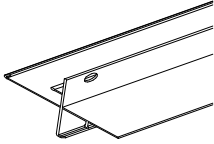
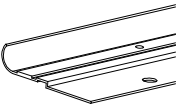
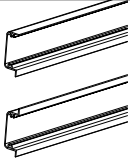
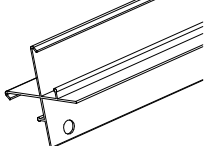
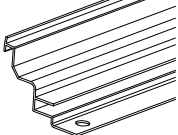
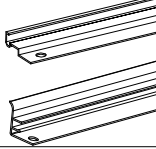
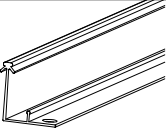
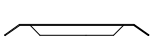
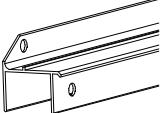
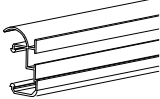
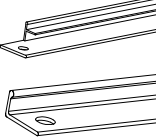
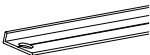
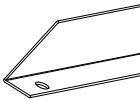
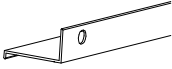
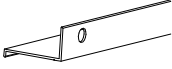
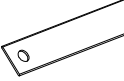
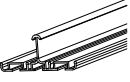
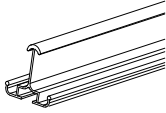

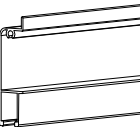
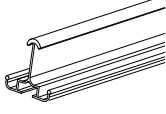
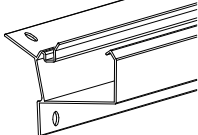
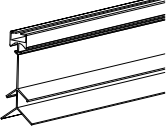
The seals should look flat and straight when complete.

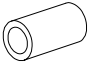



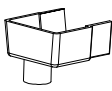
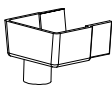

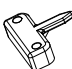
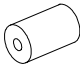
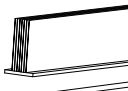


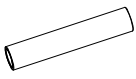




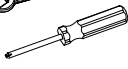
Leave rubbers for an hour or two before cutting to required length as they may stretch then retract when inserting.

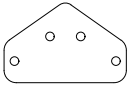
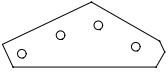
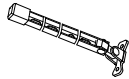
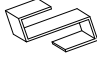
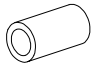
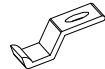
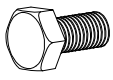
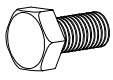
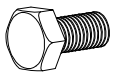
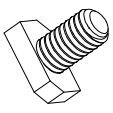





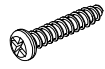

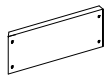
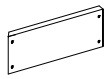
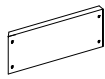
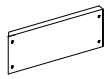


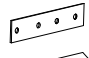


Do not cut rubbers until you have inserted all of them.

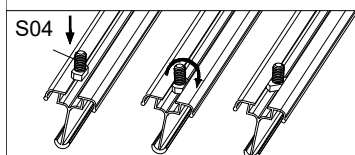
During the installation process, you need to use silicone to achieve better waterproof effect in the gap in the aluminum alloy sink.

Please contact your provider if you require further guidance.

PART	#	mm	Qty.	PART	#	mm	Qty.
	L11A	2042	2		L01A	1815	1
	L11B	2042	2		L01B	1815	1
	L12	600	2		L01C	1815	1
	L13A	600	2		L01D	1815	1
	L13B	600	4		L01E	1388	2
	L15	582	4		L01F	1388	2
	L16	582	4		L03A	2003	1
	L17	470	8		L03B	2003	1
	L16F	600	3		L04	1193	1
	L16G	600	6		L05	3000	1
	L18	617	4		L06A	1576	2
	L21	570	2		L06B	1587	2
	L22A	862	2		L06C	2708	4
	L22B	2932	1		L07A	2943	1
	L22C	1219	2		L07B	2389	4
	L22D	2389	4		L07C	878	1
	L24	1477	8		L07D	878	1
	L36A	1388	2		L08A	1710	2
	L36B	1792	2		L08B	1710	2
	L37	2996	1		L08C	2017	1
	L38	600	2		L08D	2017	1
					L08E	404	1
					L08F	2407	1
					L08G	1388	12
					L08H	1792	12
					L09	2389	4
					L10	2389	2

PART	#	mm	Qty.
	H03		3
	W21	Ø12*Ø6*1.5	2
	W46		5
	J04		2
	J04L		2
	J04R		2
	J11		4
	J13		8
	J15	Ø6.5*20	8
	J18	2.04M	2
	J19	158M	1
	J25	1388 1815	36 64
	G01	1200	2
	G02	44*33*20	2
	G03	1'	2
	A106		33
	T01		1
	T02		1

PART	#	mm	Qty.
	W1		2
	W2		4
	W5		4
	W11		20
	W13	Ø12*28	2
	W12		2
	S01	M6*10	266
	S02	M6*16	7
	S03	M6*40	2
	S04	M6*14	10
	S05	M5*25	3
	S07	M6*60	5
	S08	M4*12	2
	M01	M6	275
	M02	M5	3
	Z01	Ø4*16	48
	Z02	Ø4*10	8
	W07A	906	1
	W07B	906	1
	W07C	2415	4
	W07D	2996	1
	W08	350	10
	W09		33
	W18		2
	W19		1
	W20		2



Conseil important : Vous n'aurez pas besoin de tout démonter si vous avez oublié de mettre les vis S01, vous pouvez les remplacer les vis S04 !

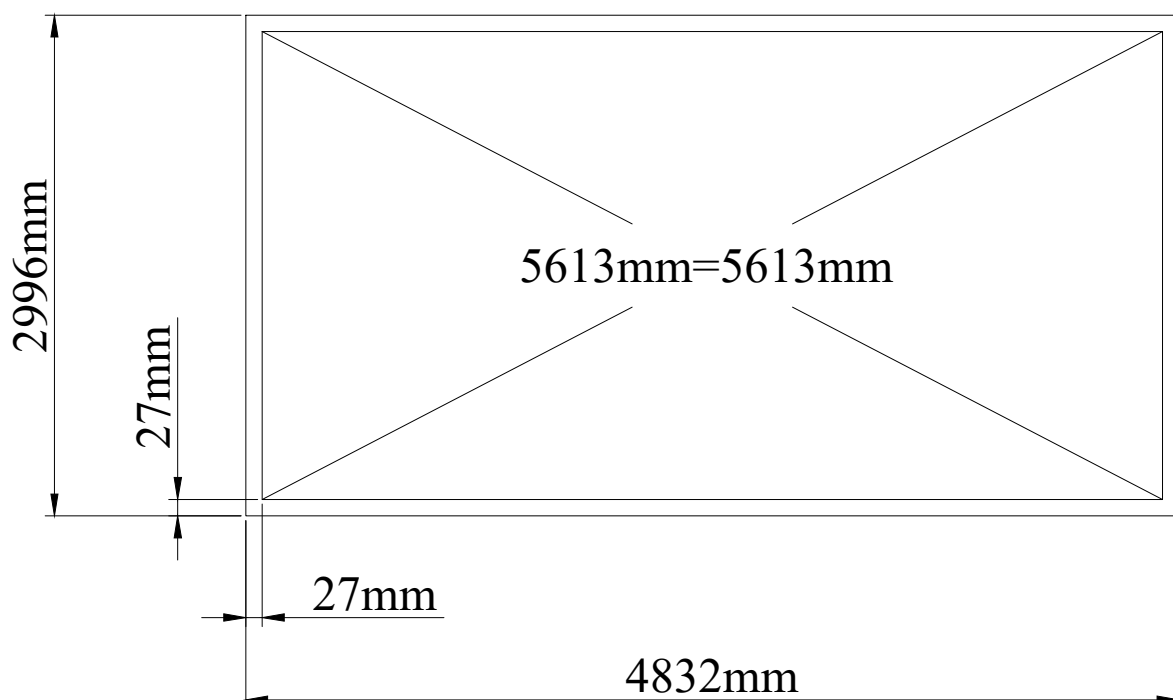
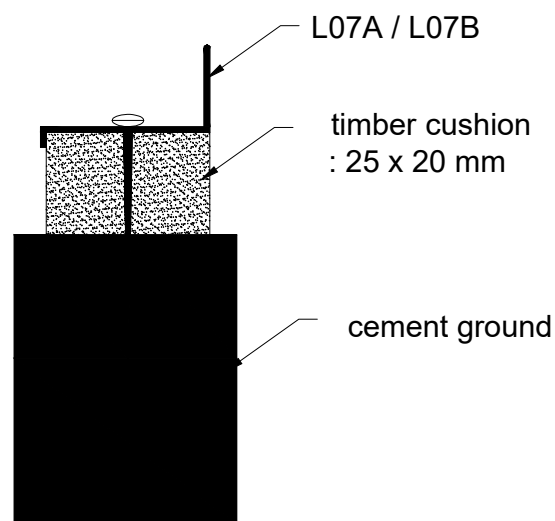
Base assembly

It is critical that the greenhouse base is perfectly squared so as the diagonal measurements are the same ,

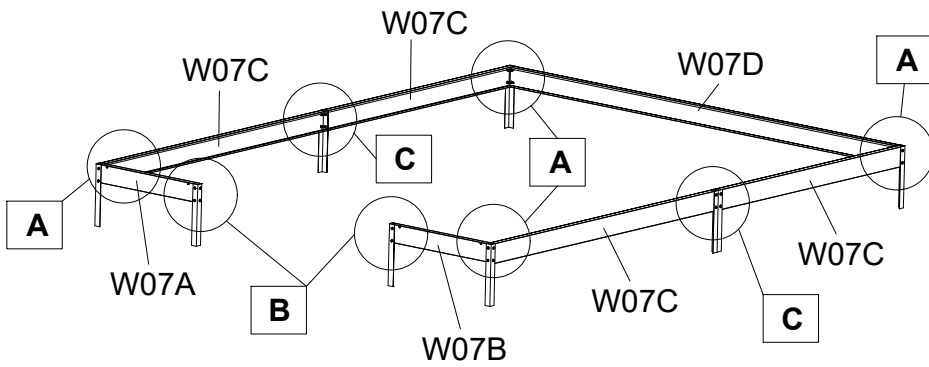
The greenhouse also needs to be consistently level across the front and back . You can have fall from front to back , however it must be the fall on both sides ,

Anchoring the greenhouse into the ground is critical.

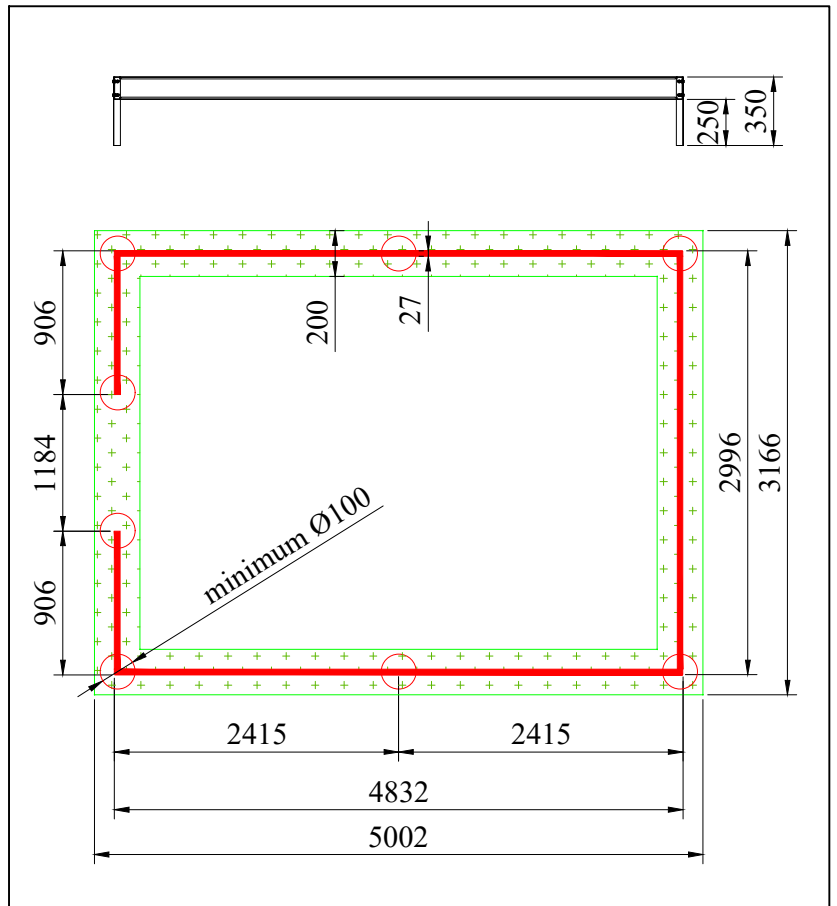
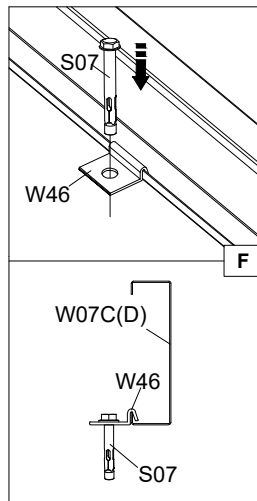
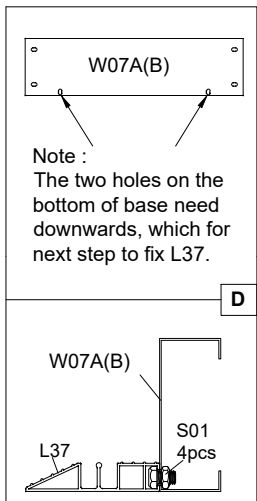
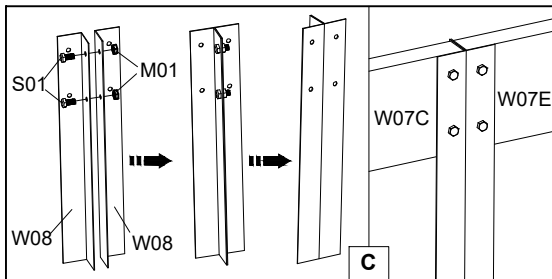
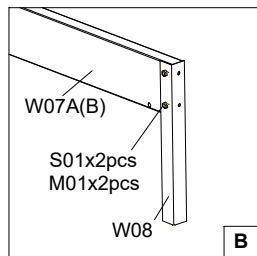
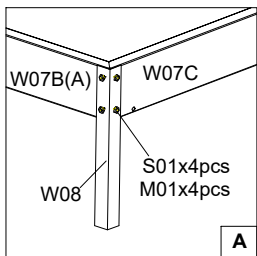
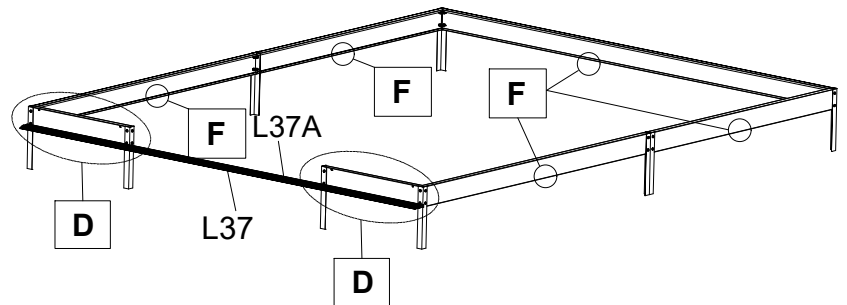
We recommend using masonry anchors if you have a slab , in which case you would cut the anchor legs off . Alternatively the anchor legs can be concreted into the ground (min footing 300mm dia , and 400mm deep). This is often best done at the end , weather permitting . Always secure the structure temporarily during construction .



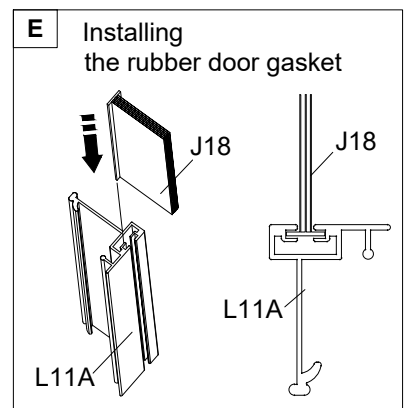
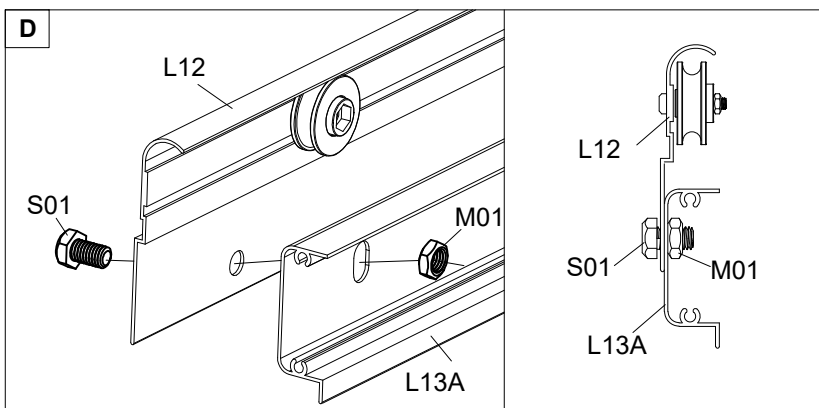
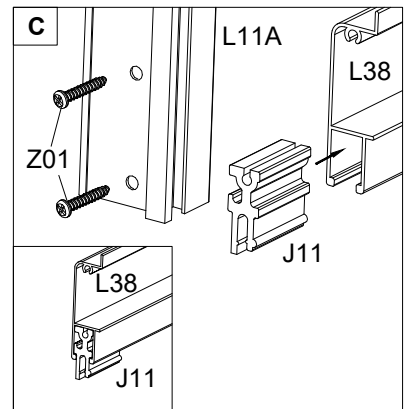
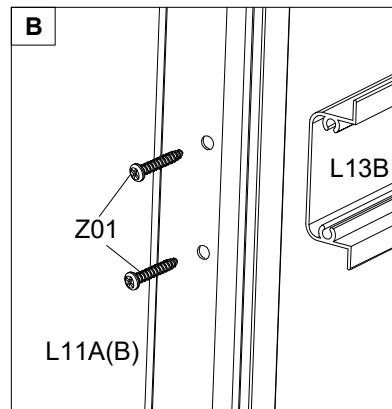
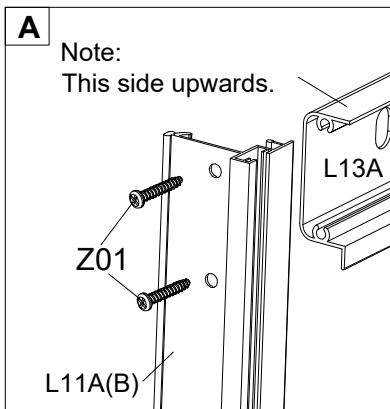
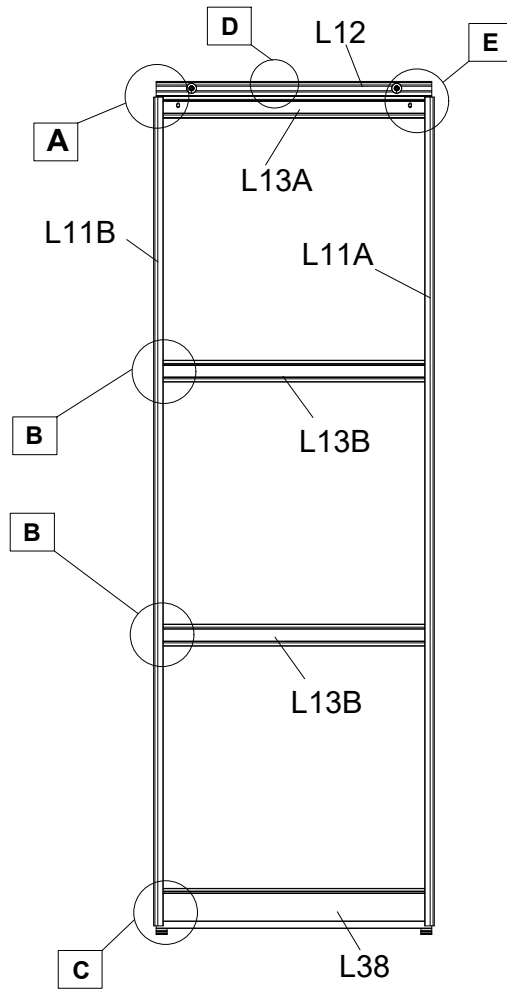
Base installation ground



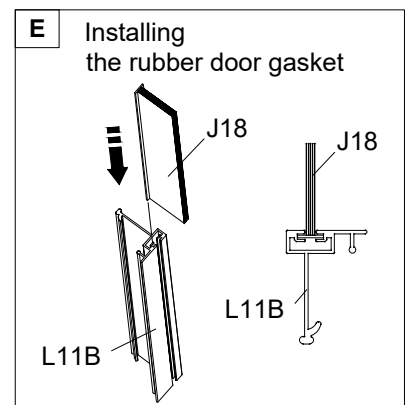
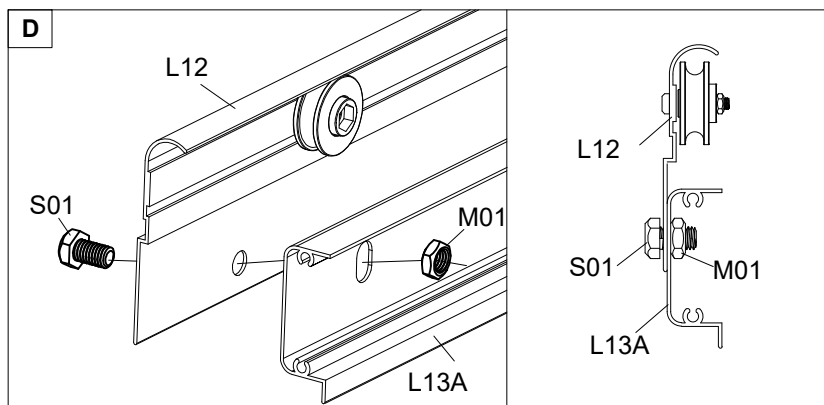
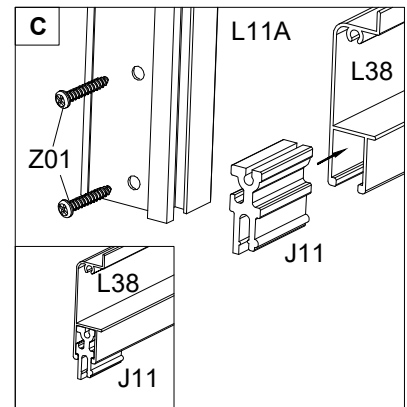
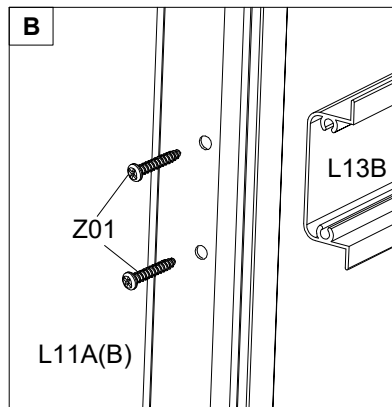
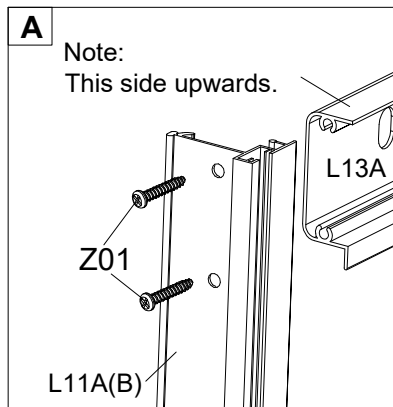
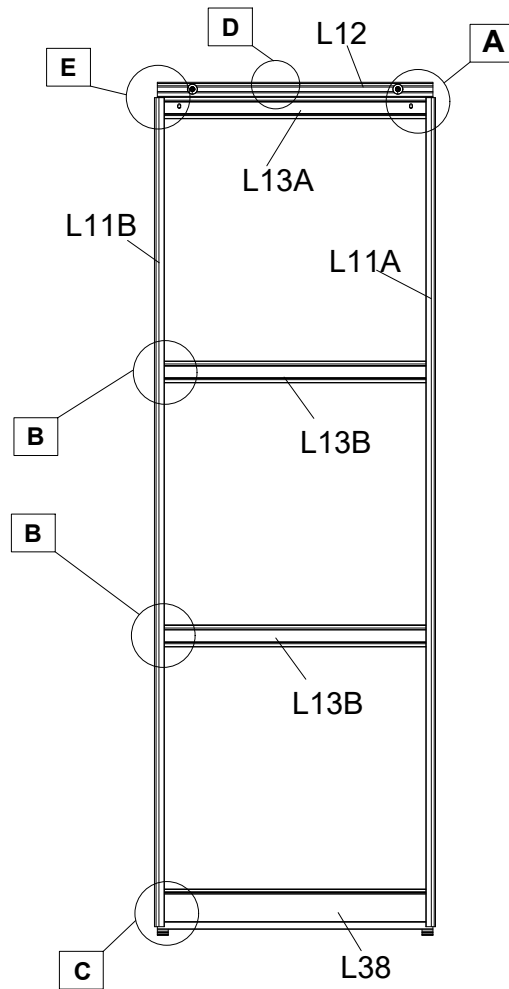
Note :
Please tear off protective film on surface of W08 and W07A (B / C / D) before assemble base .



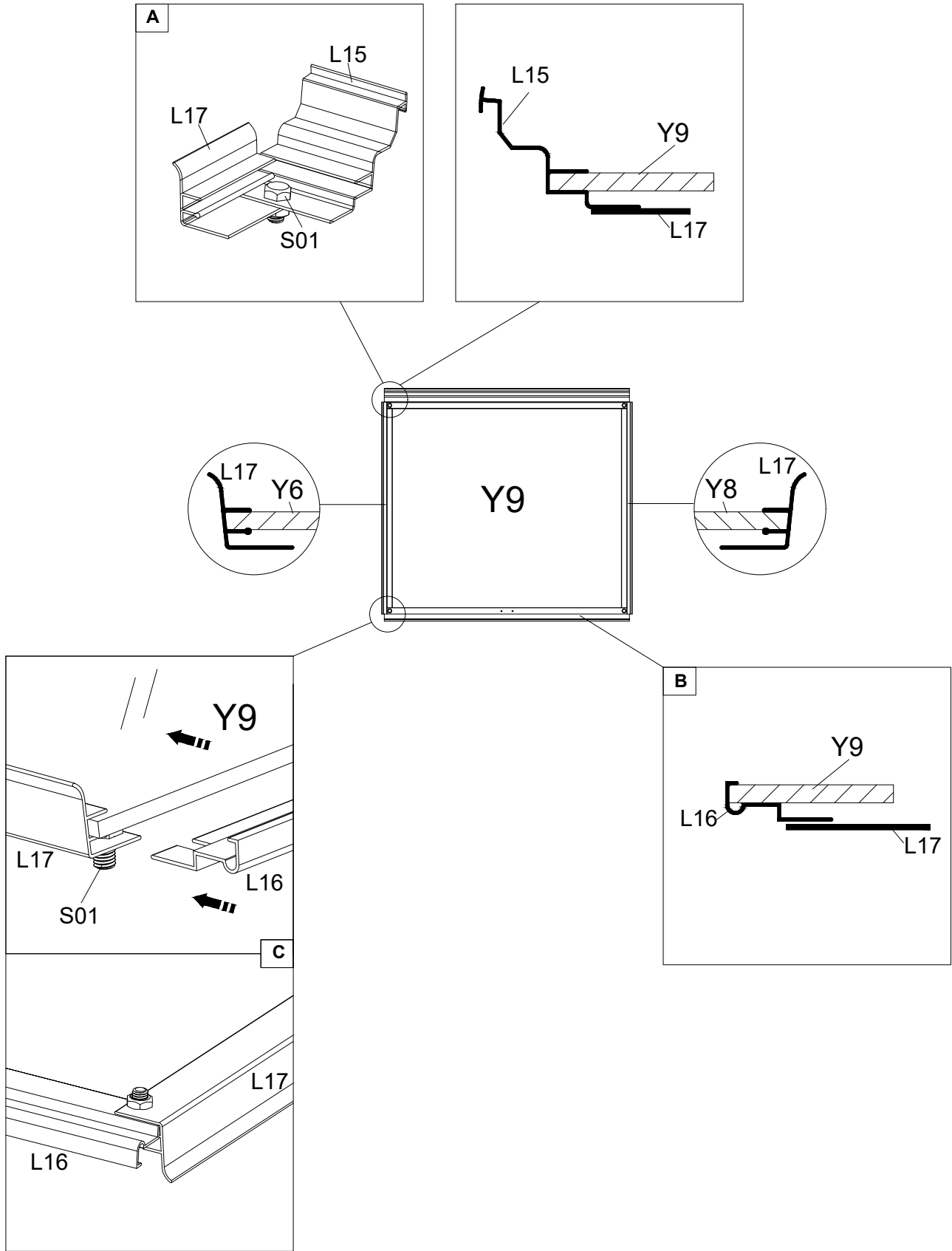
Left Door Assembly



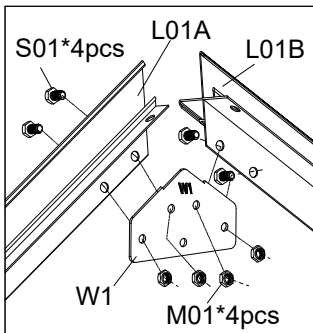
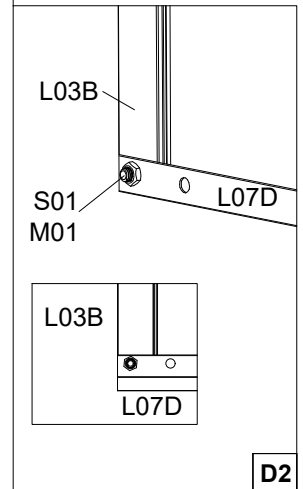
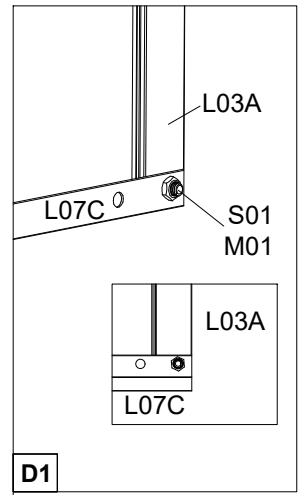
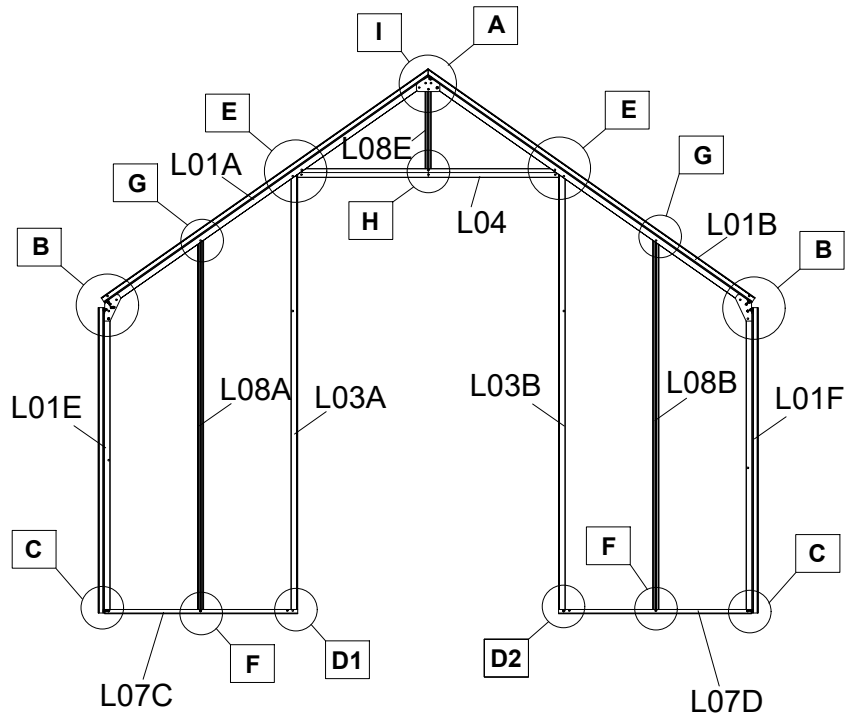
Right Door Assembly



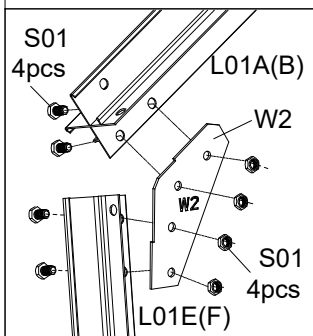
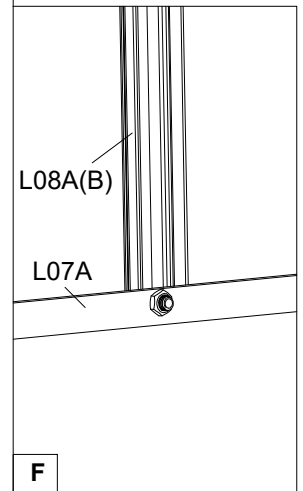
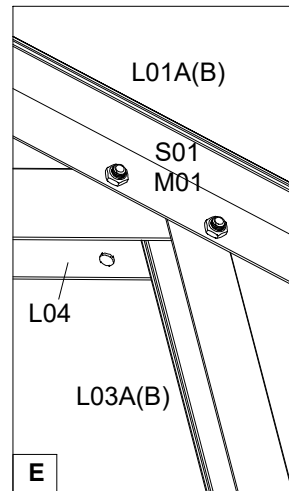
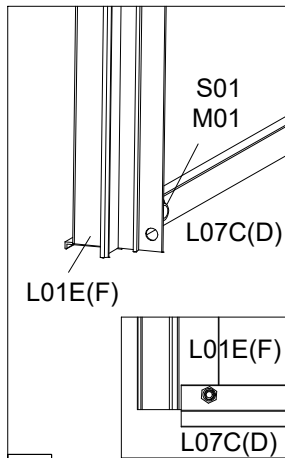
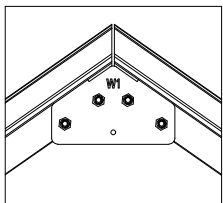
Window Assembly



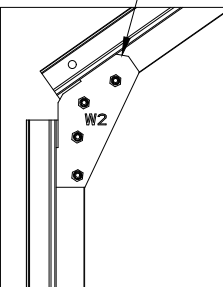
Front Frame Assembly



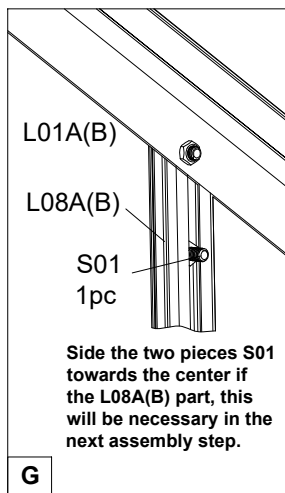
Please do not tighten nuts before installing part L10.



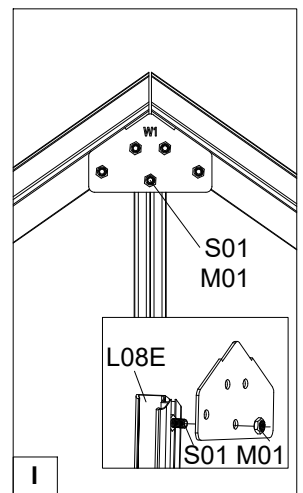
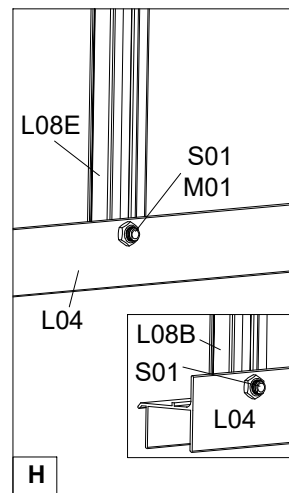
W02 properly assembled



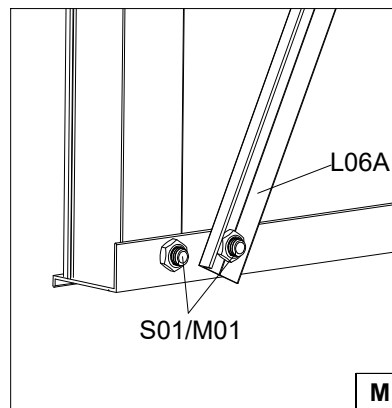
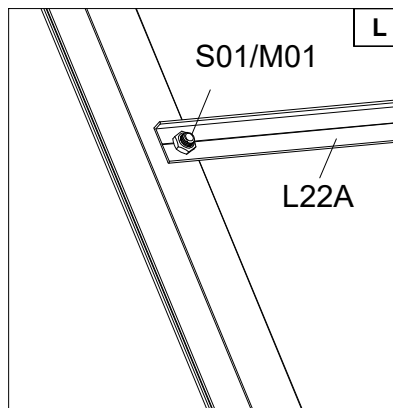
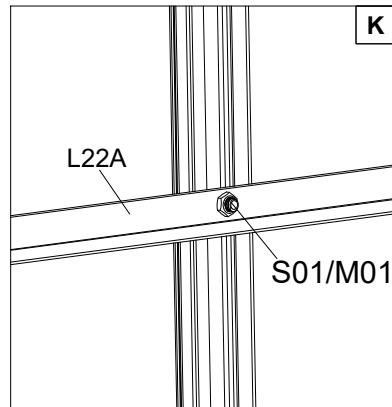
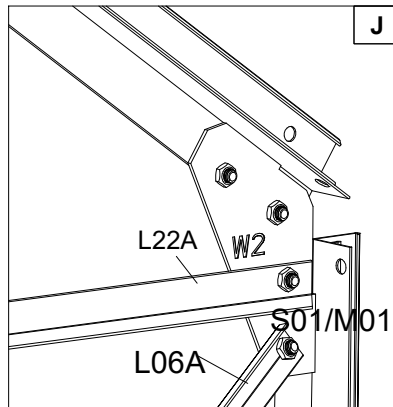
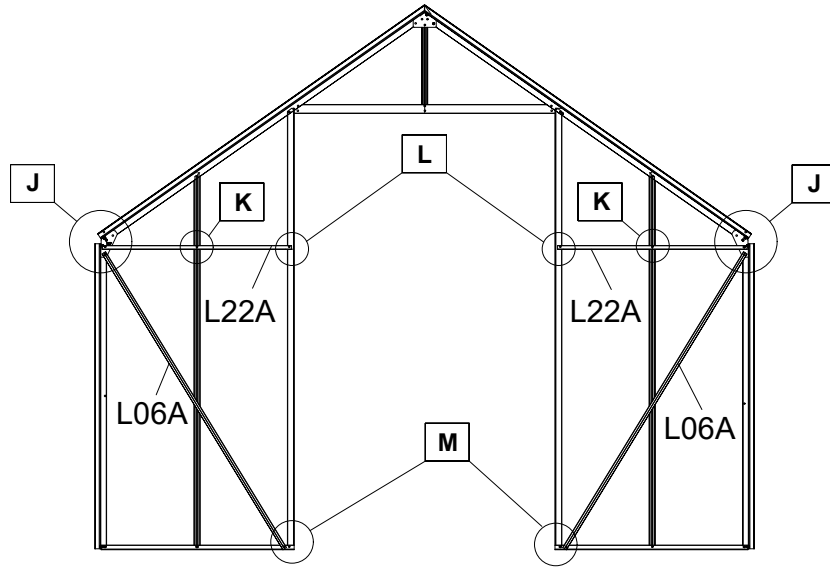
Please do not tighten nuts before positioning part L09.



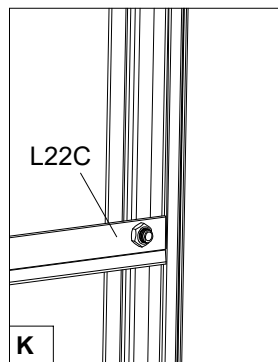
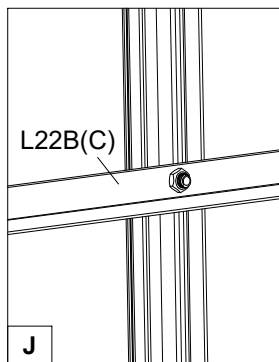
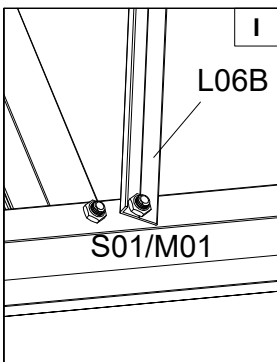
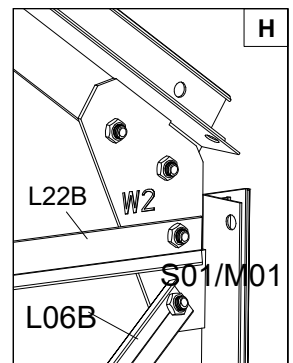
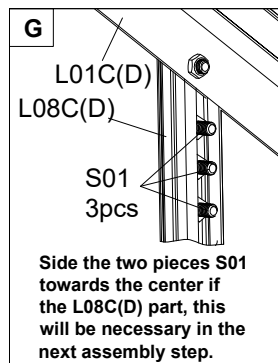
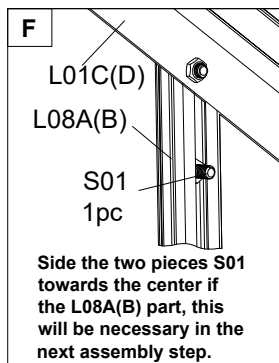
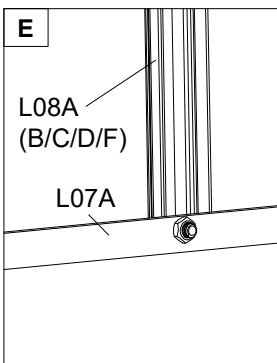
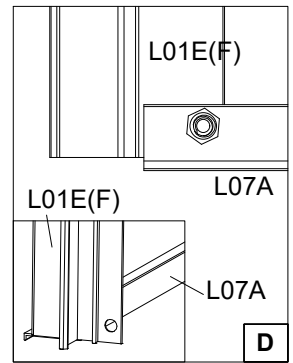
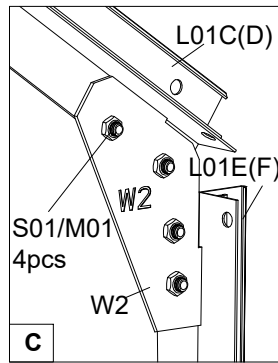
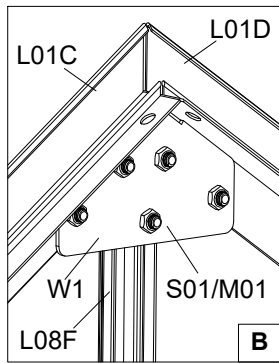
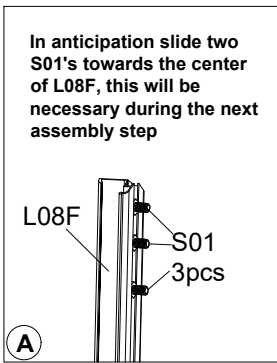
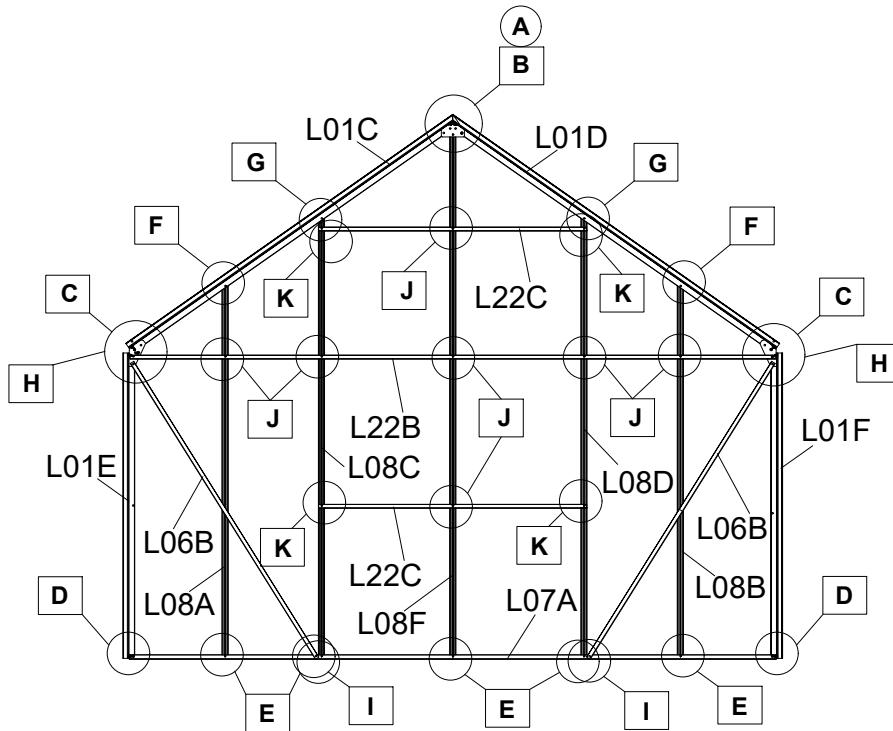
Side the two pieces S01 towards the center if the L08A(B) part, this will be necessary in the next assembly step.



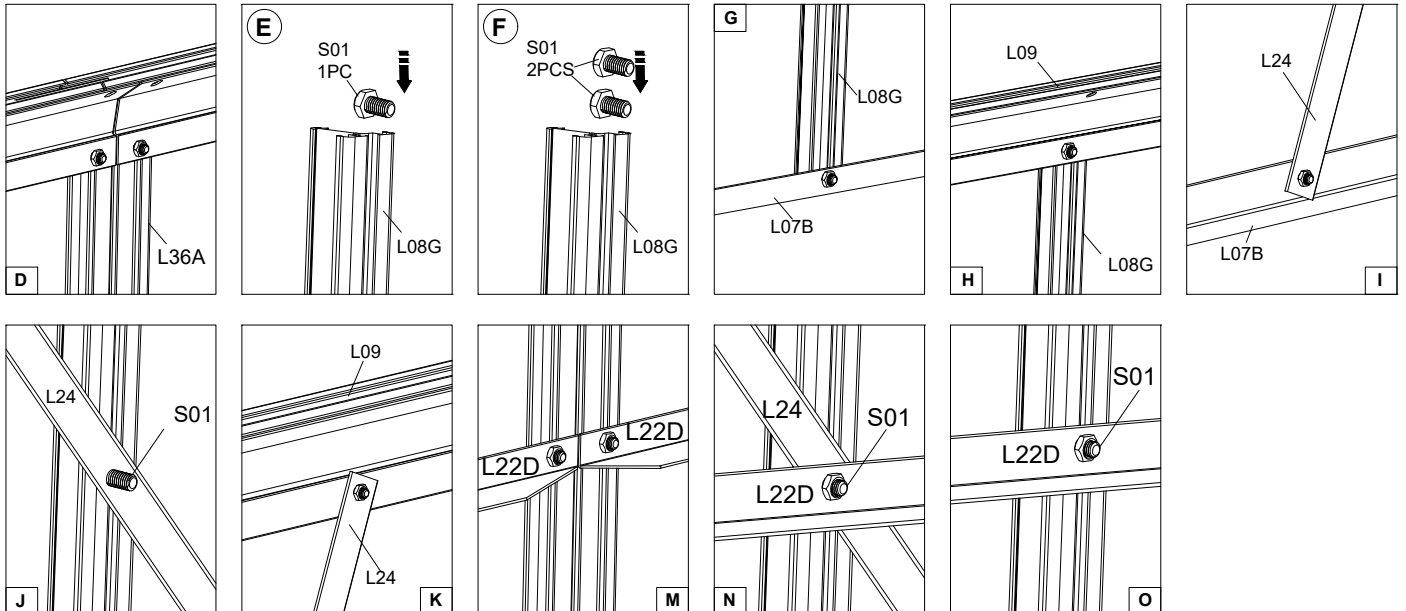
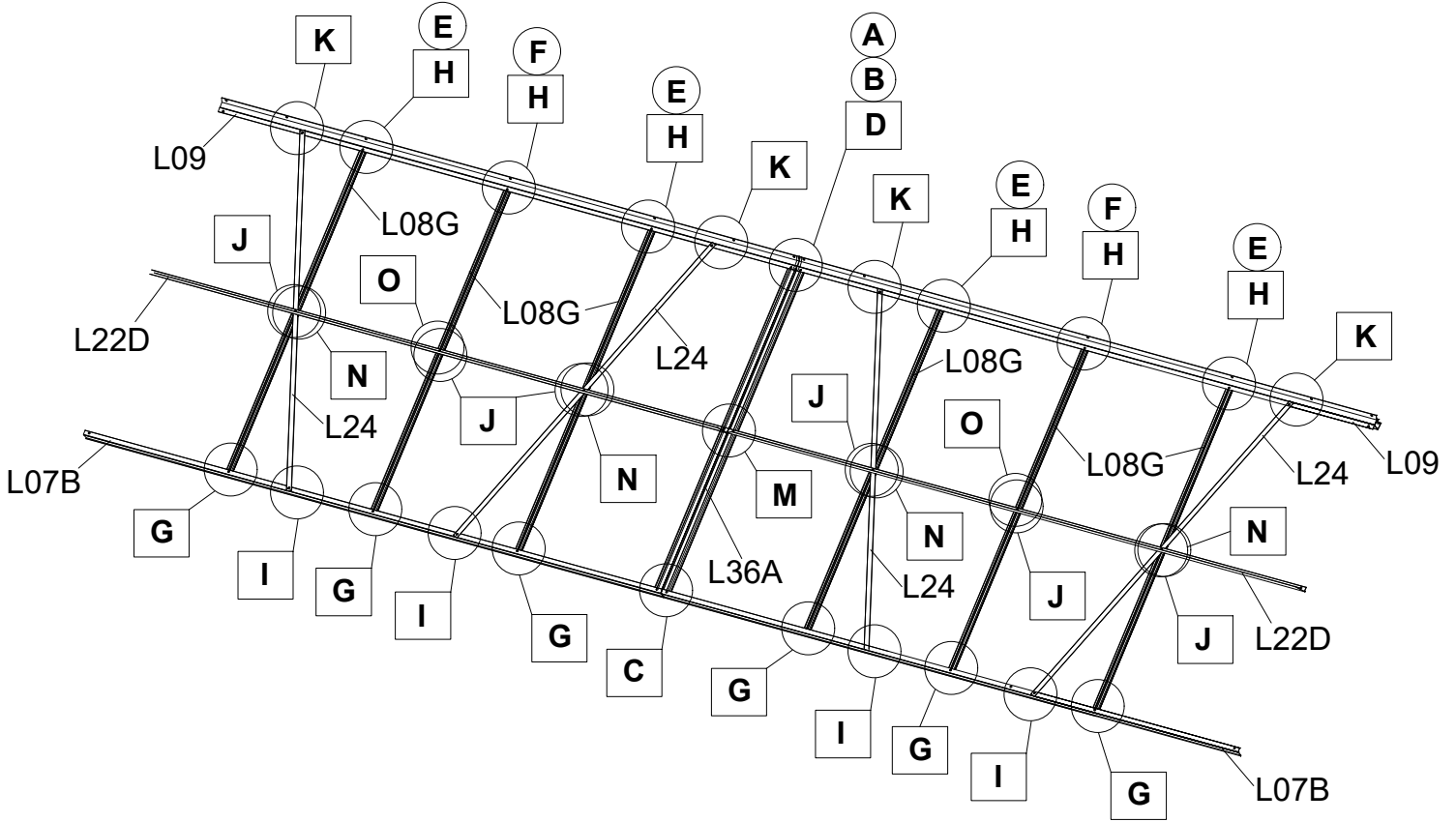
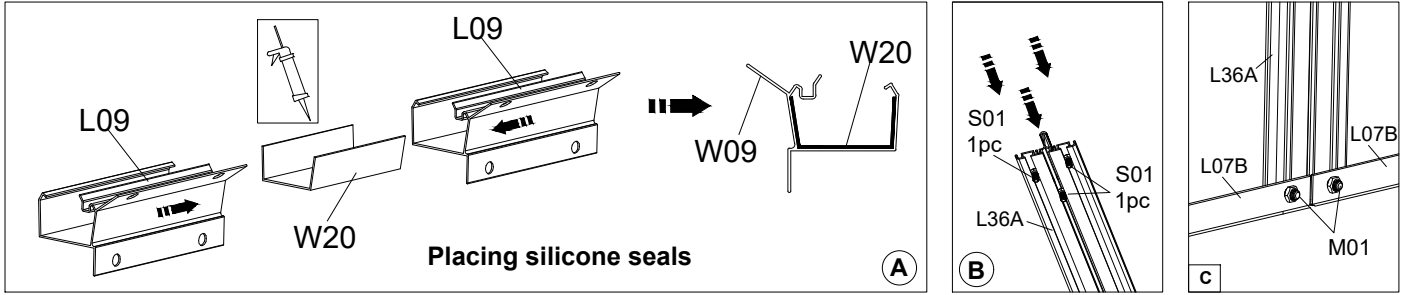
Front Frame Assembly

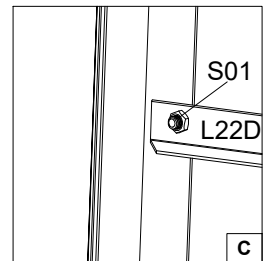
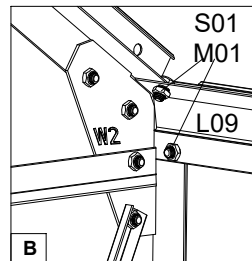
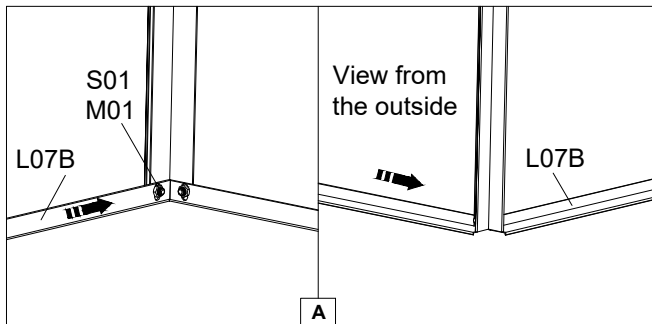
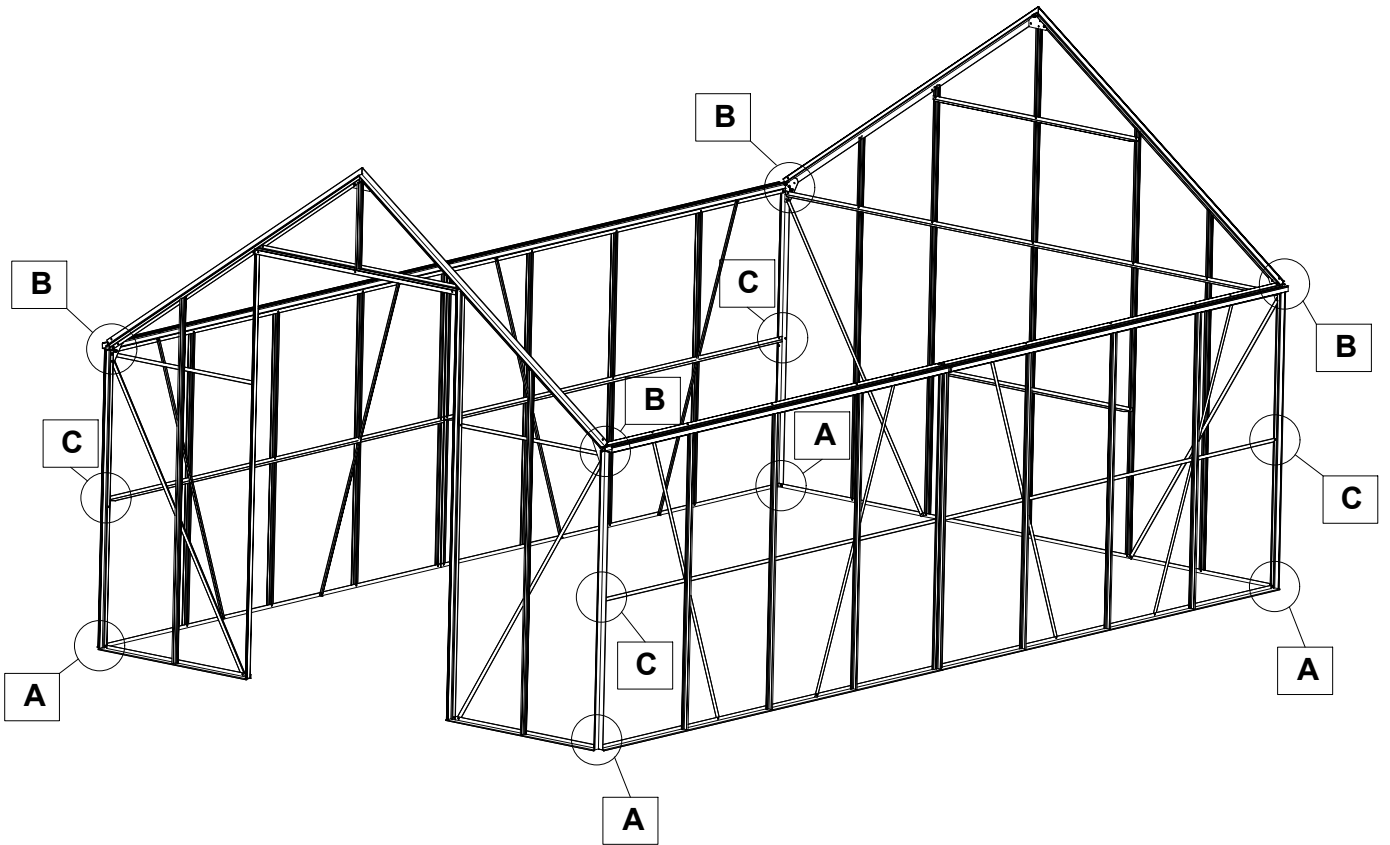
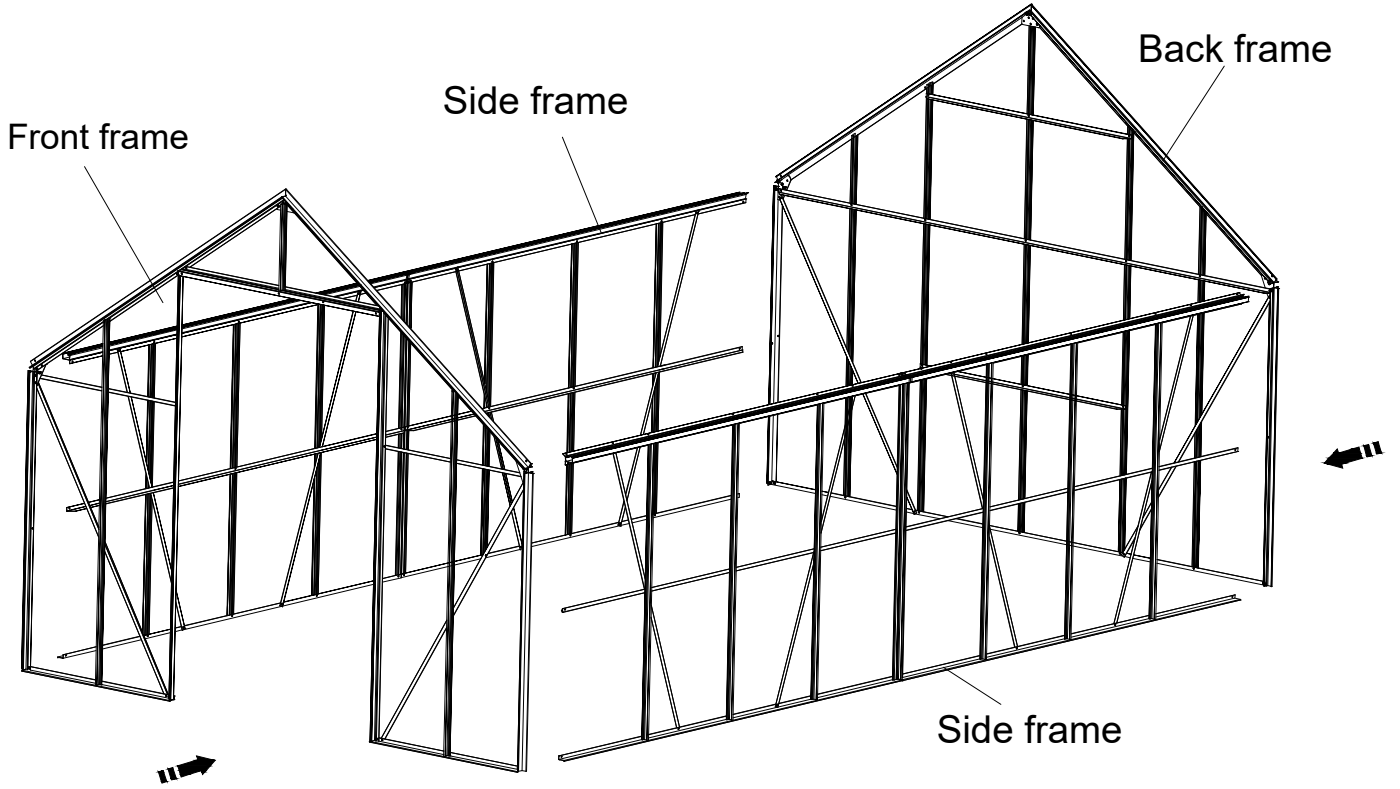


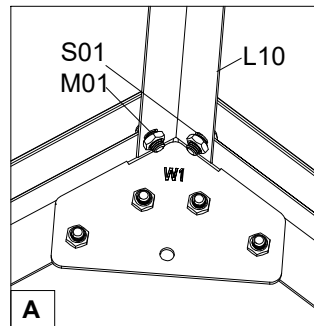
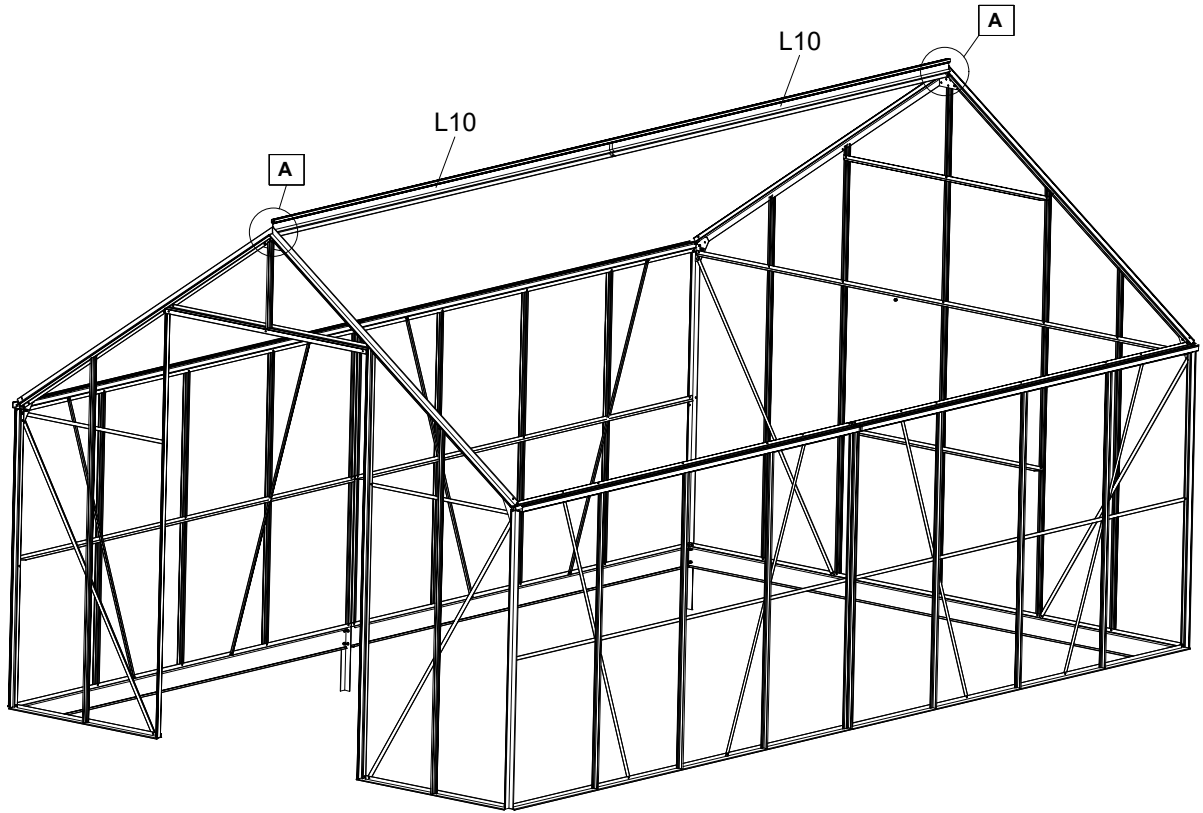
Back Frame Assembly



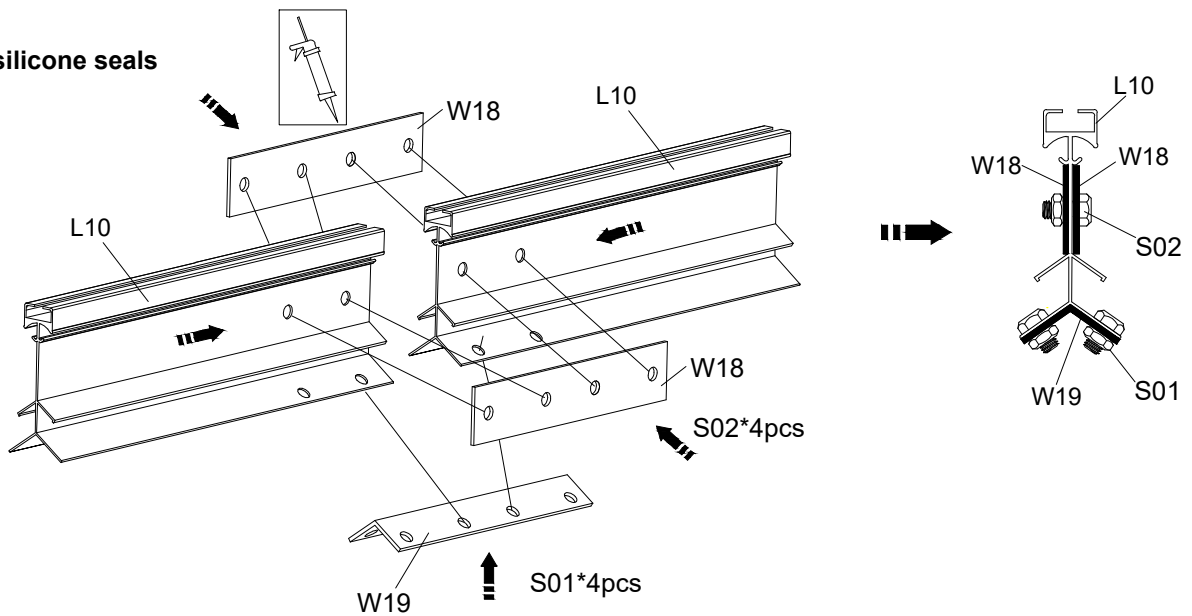
Side Frame Assembly

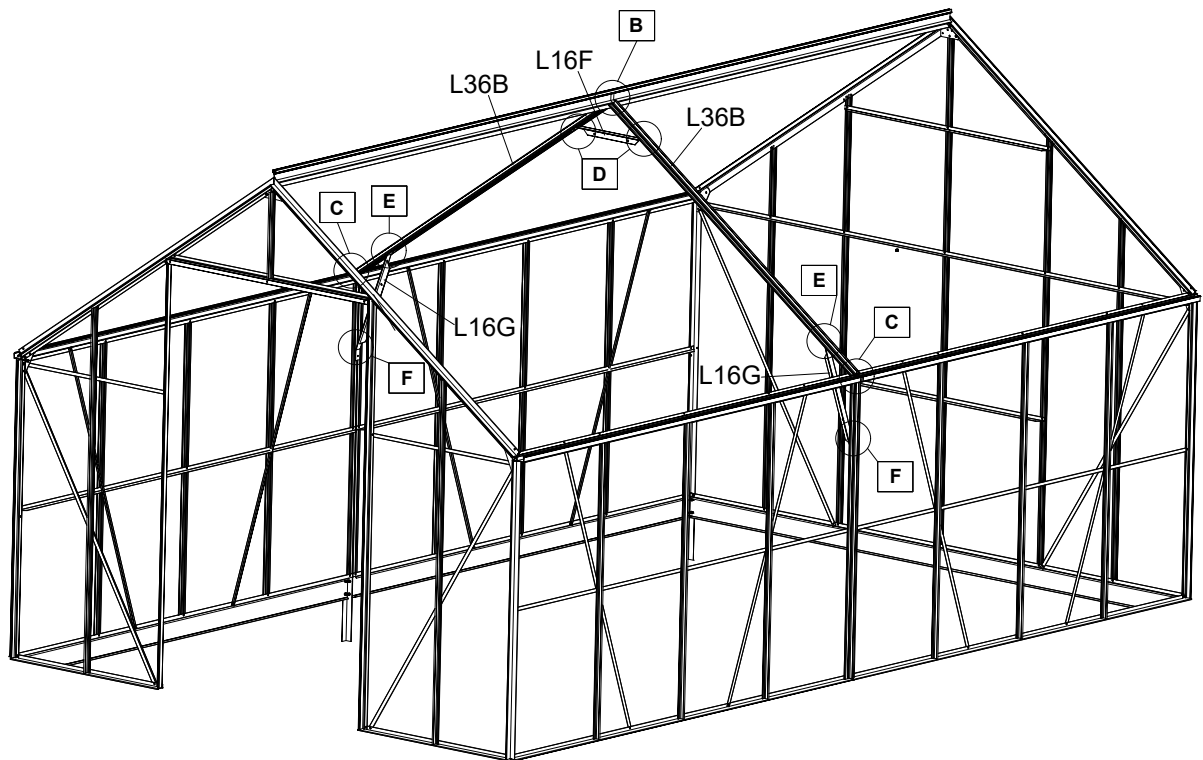




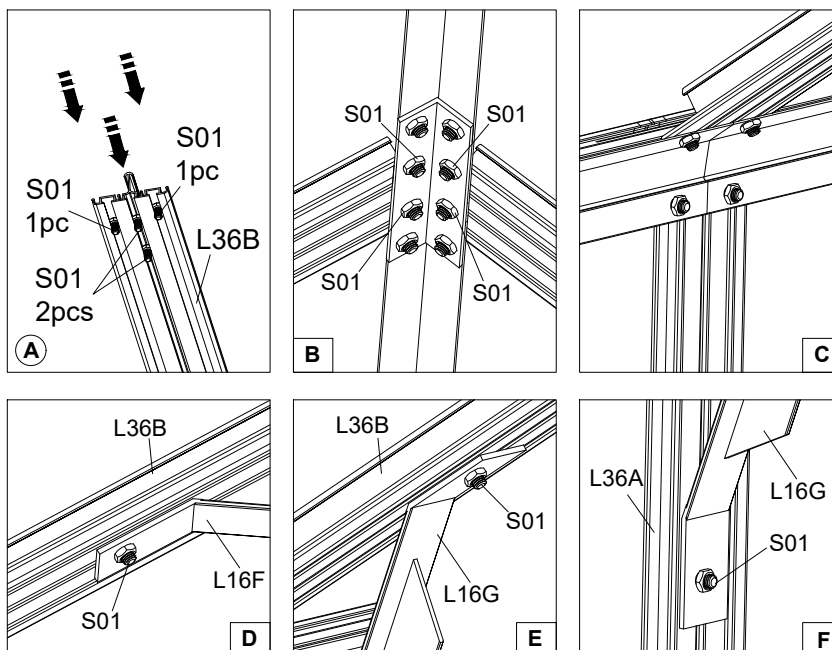


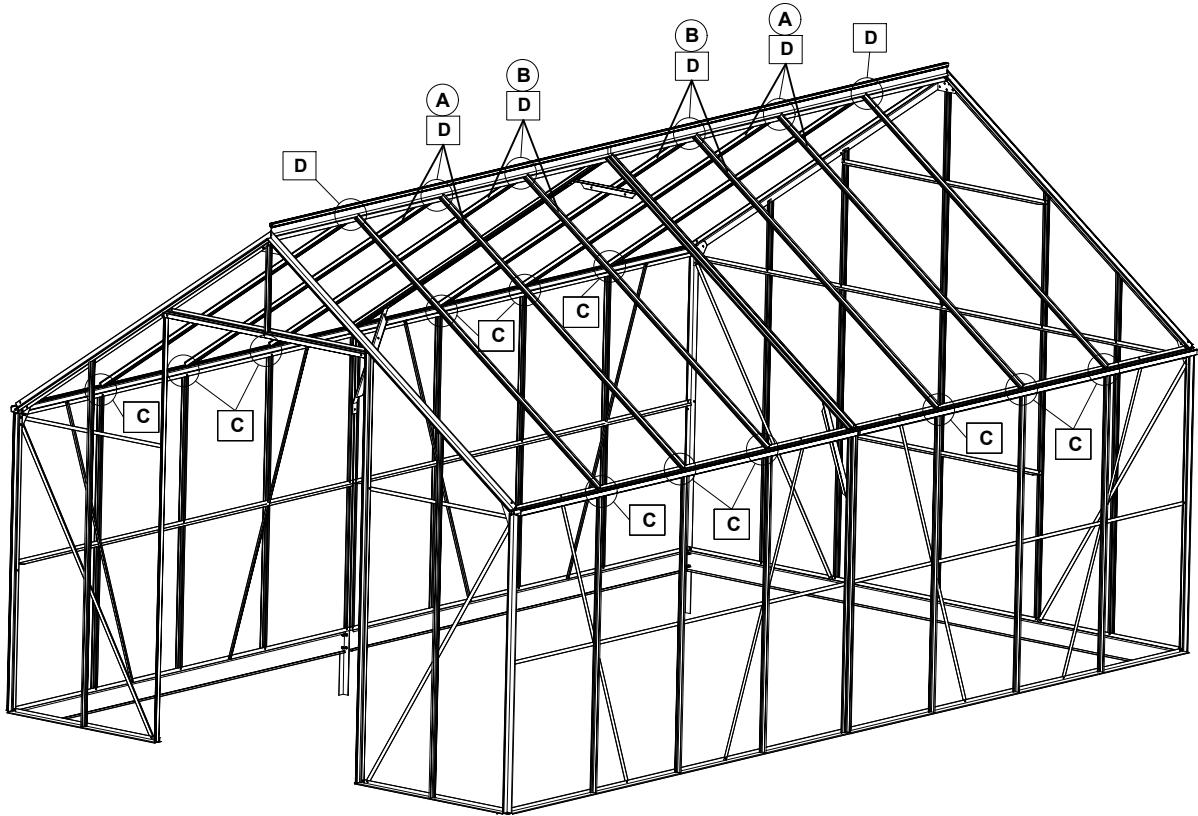
Placing silicone seals





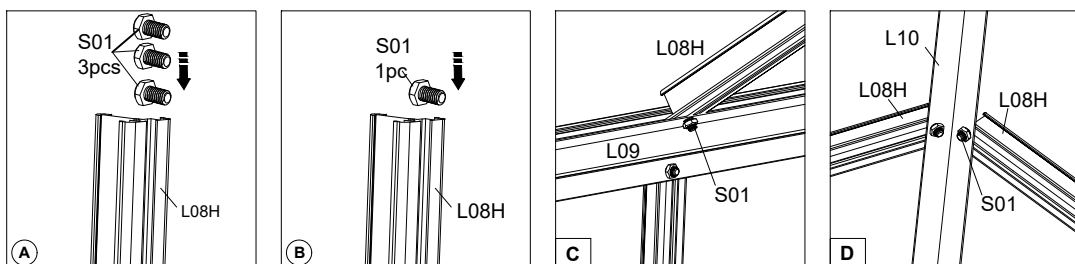
Note: Remember to slide 2 additional S01 bolts in the groove center of profile L36B is used to fix the reinforcing bracing L16F and L16G.

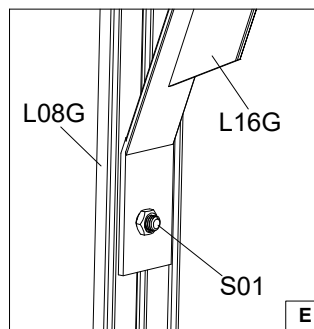
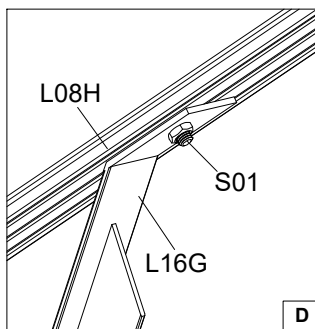
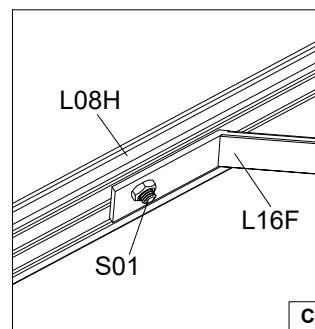
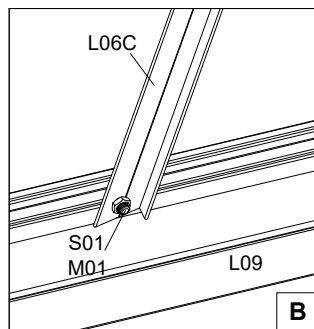
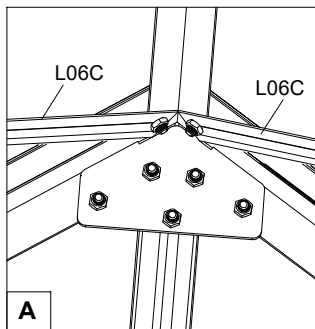
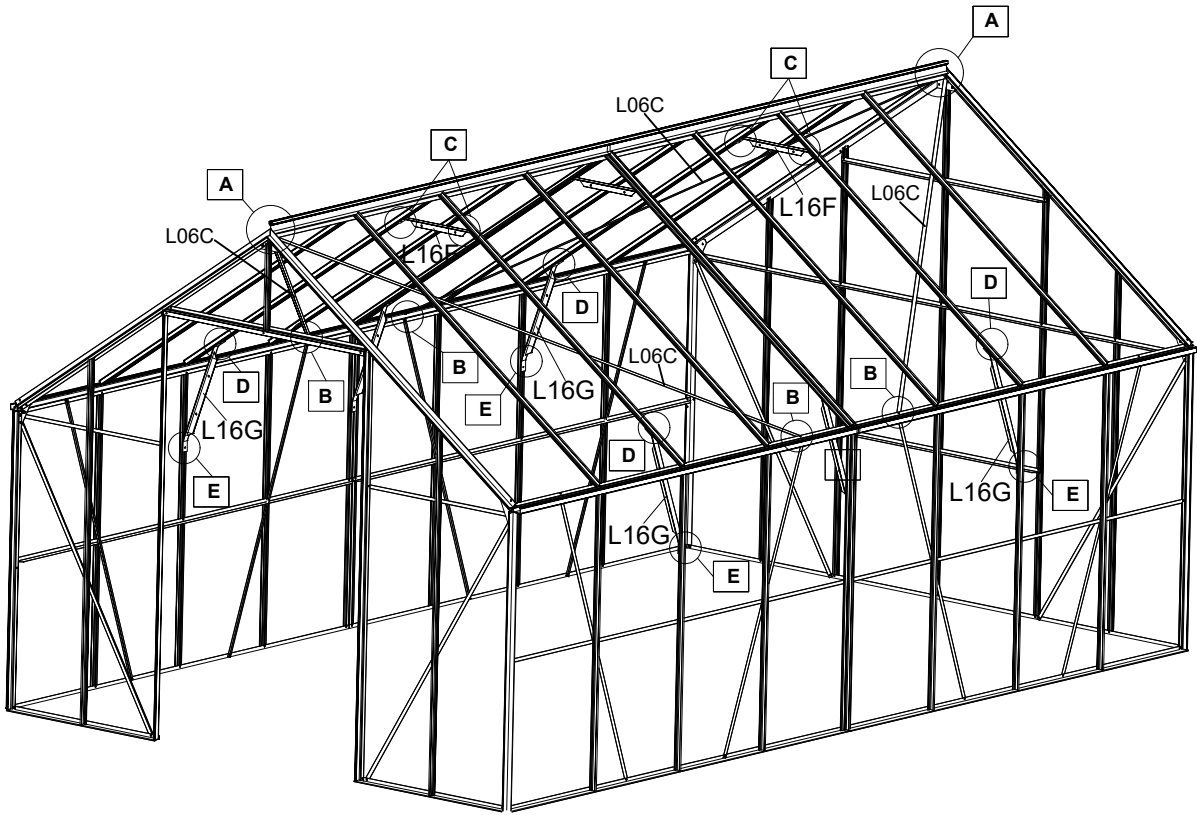


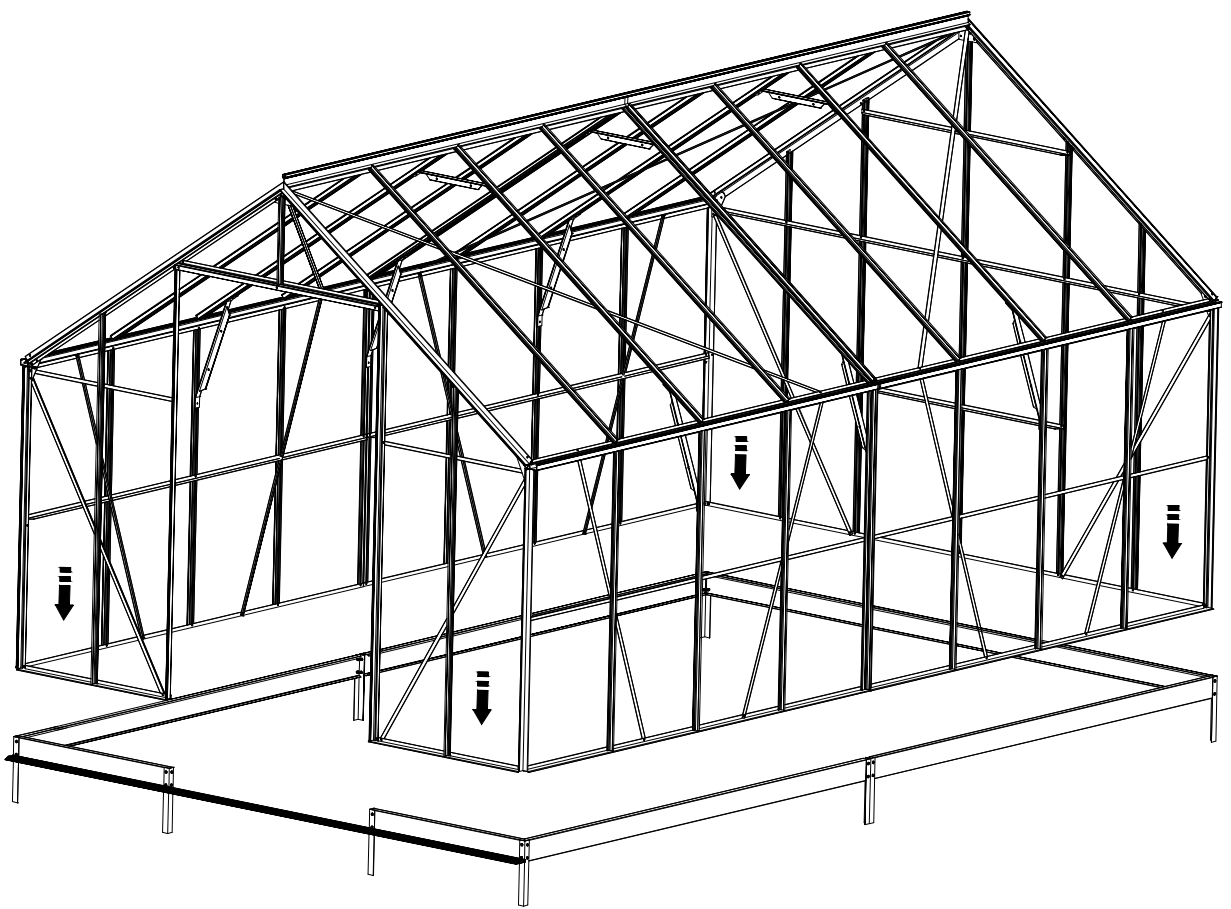


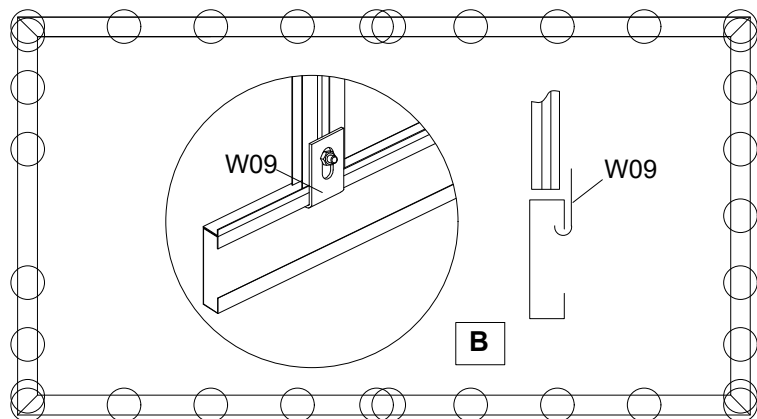
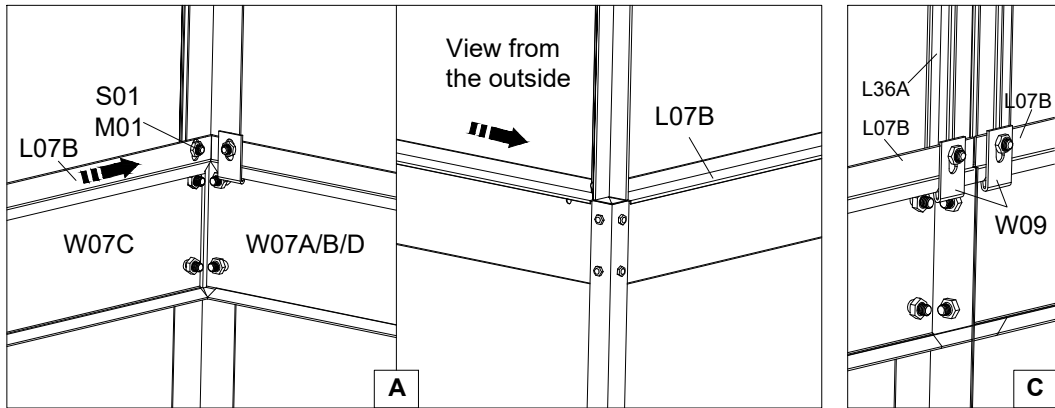
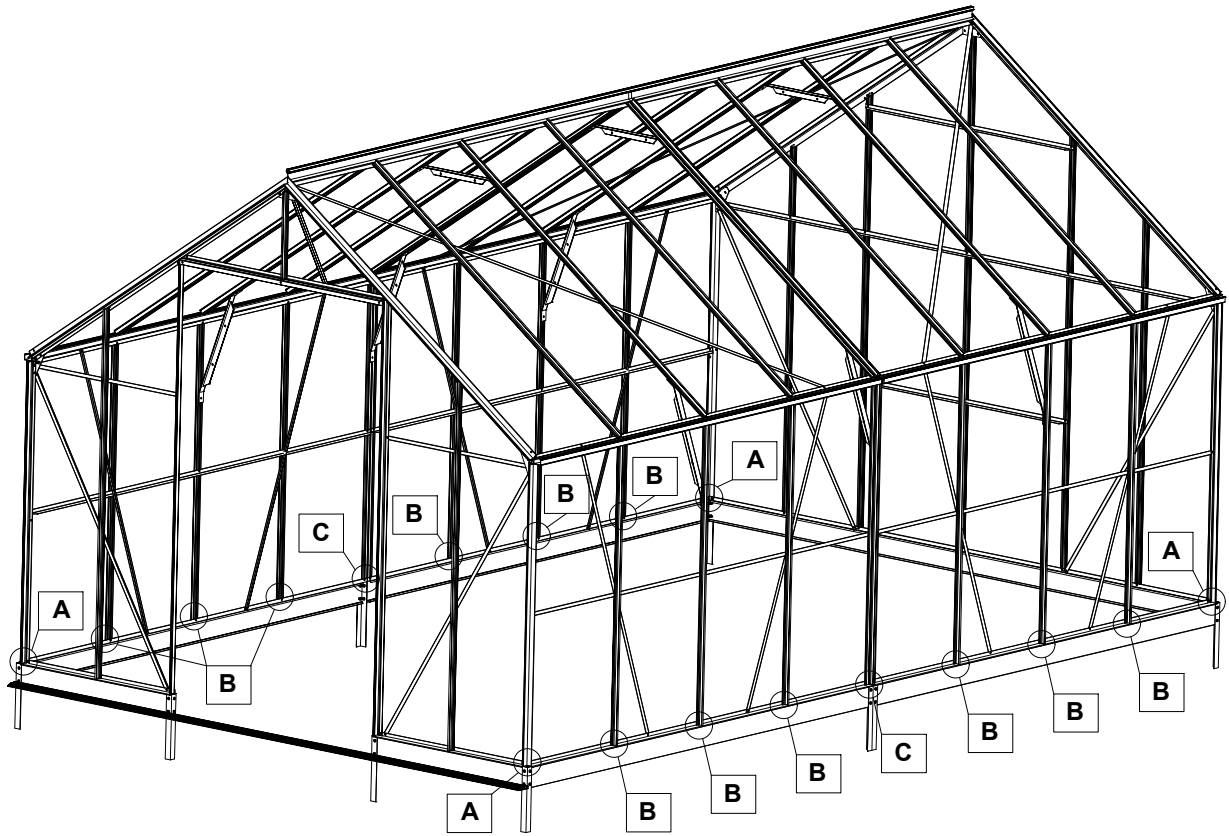
Note Diagram A: Slide 3 additional S01 bolts between 2 bolts into profile L08H, so that they can be used to fix the supporting profile roof L18 and reinforcement bracing L16F and L16G.

Note Diagram B: Slide an additional bolt out of 2 bolts into L08H, so that it can be used to fix the supporting profile roof L18.

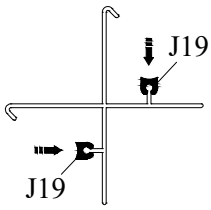




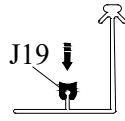




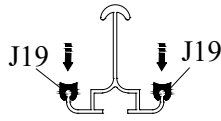
Installation of J19 rubber



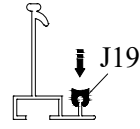
L01



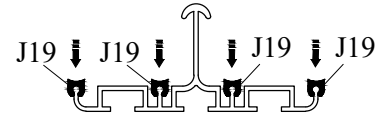
L03



L08

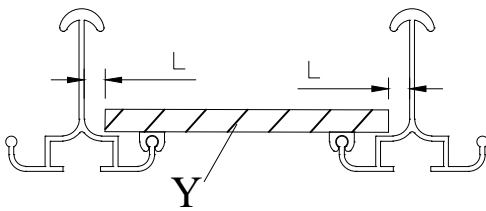
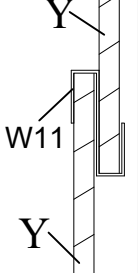
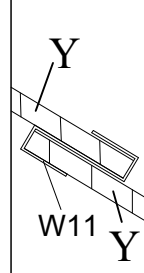
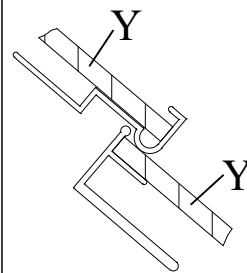
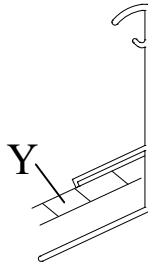
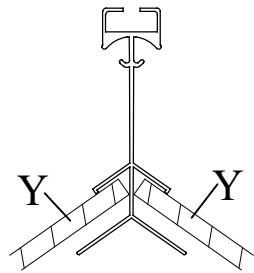
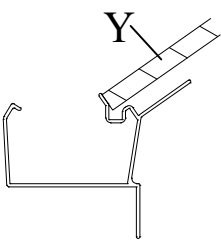


L11



L36

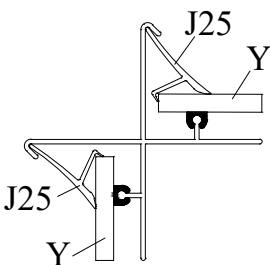
Glass assembly



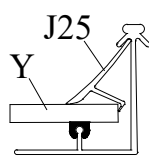
When installing the glass, pay attention to the same distance between the two ends of the glass and the aluminum profile

Be careful not to injure yourself when handing and adjusting the glasses

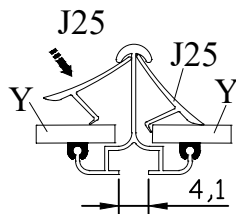
Rubber Assembly



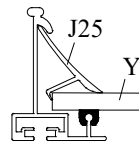
L01



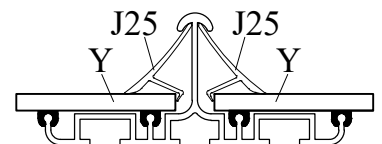
L03



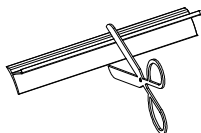
L08



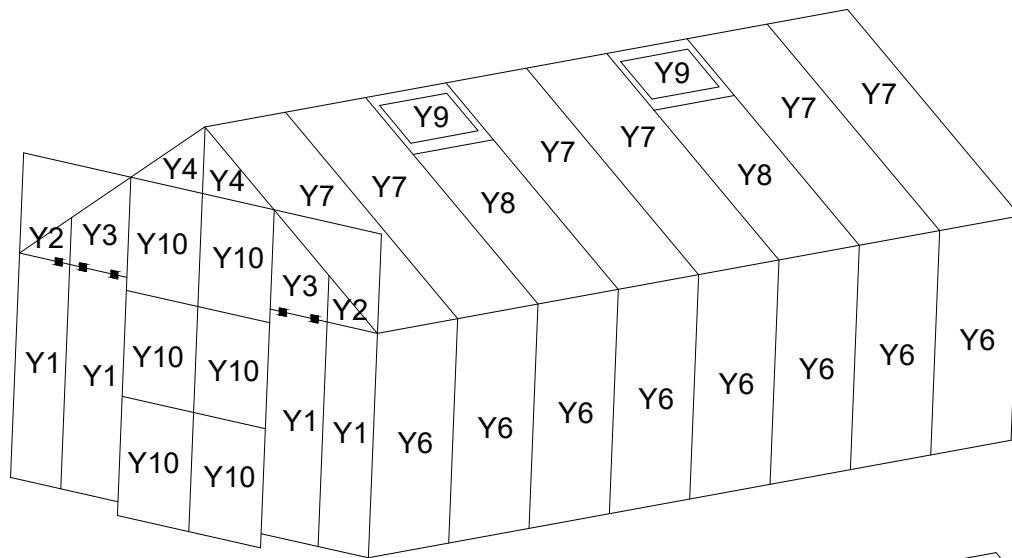
L11



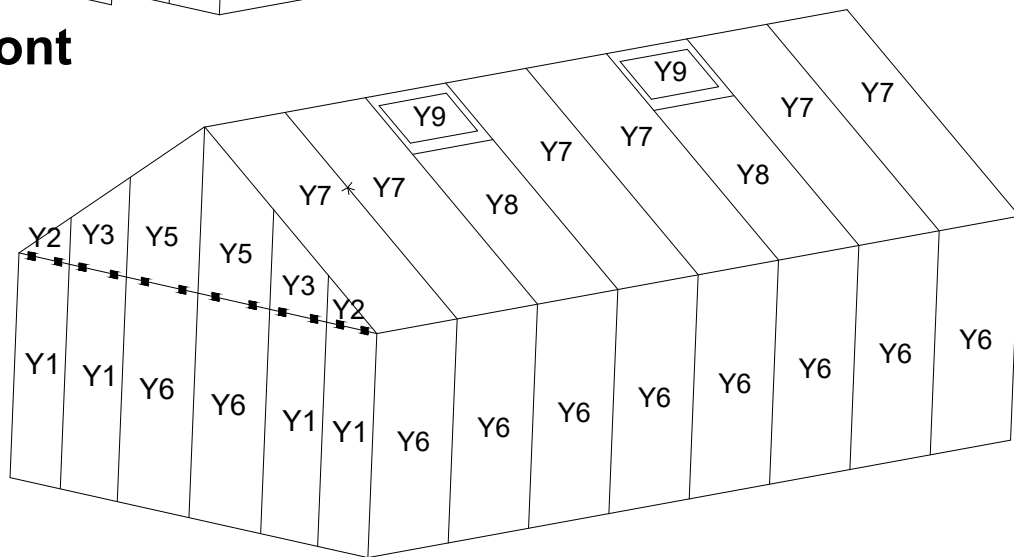
L36



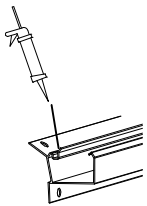
When finish the assemble of the rubber, cut off the extra rubber.



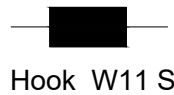
Front



Back



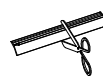
Use silicone in the gap of the aluminum to achieve better waterproof effect.



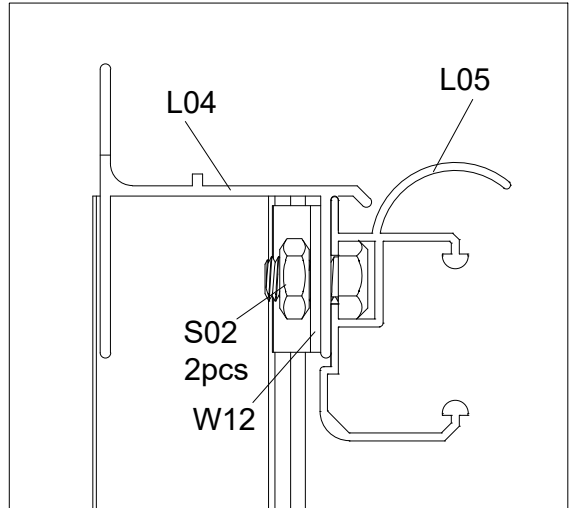
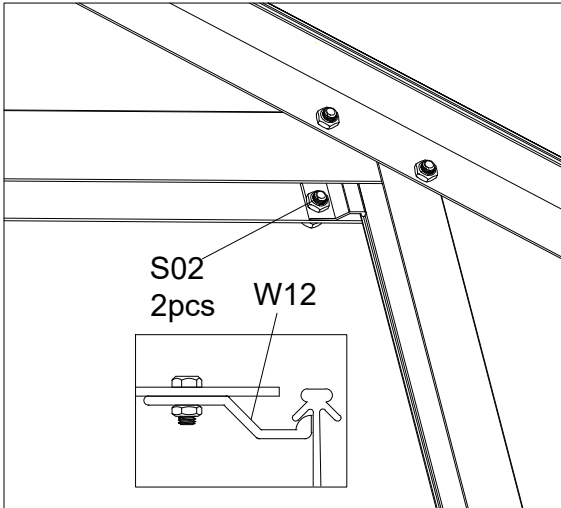
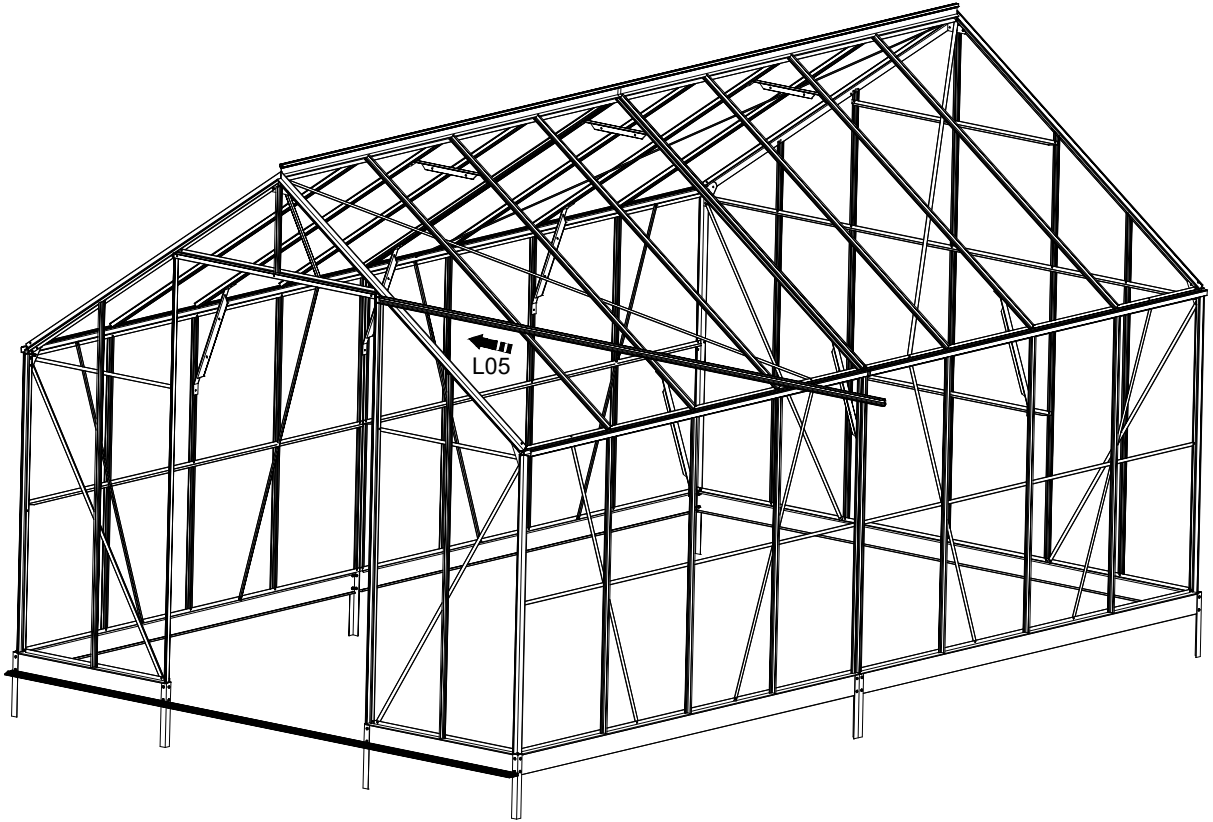
Parts	N°	mm	Qty
	Y1	428x1386	8
	Y2	428x338x37	4
	Y3	428x645x345	4
	Y4	595x428x12	2
	Y5	587x1063x651	2

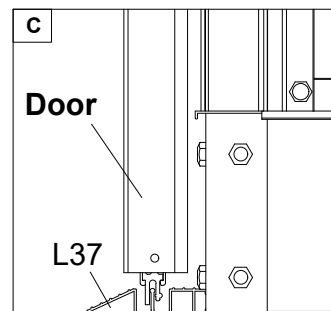
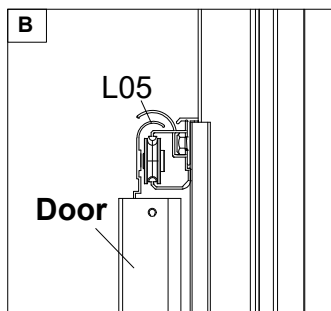
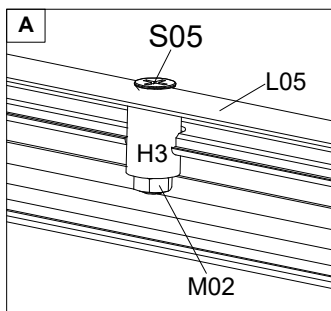
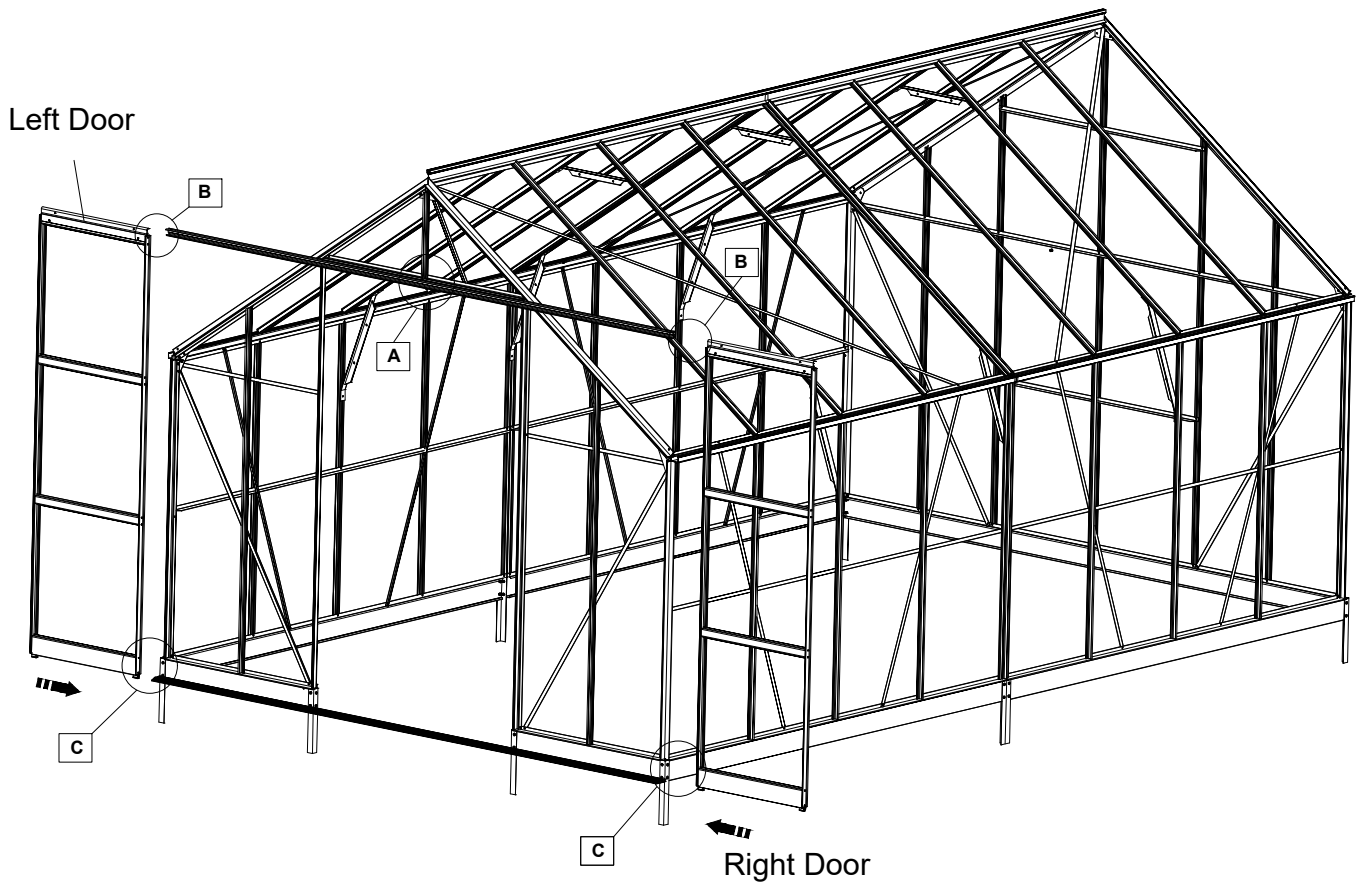
Parts	N°	mm	Qty
	Y6	587x1386	18
	Y7	587x1802	12
	Y8	587x1317	4
	Y9	584x497	4
	Y10	592x614	6

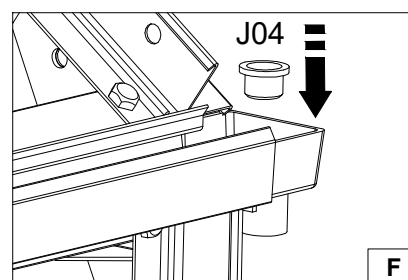
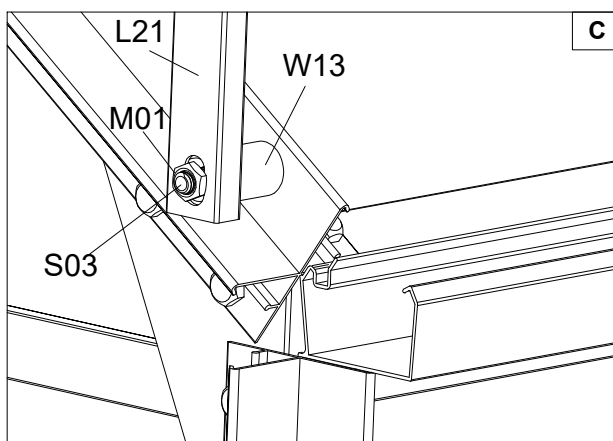
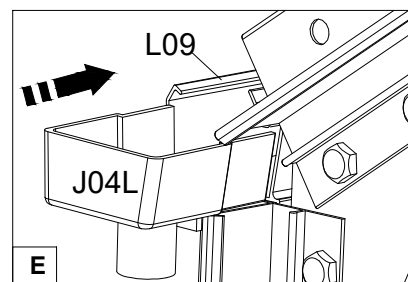
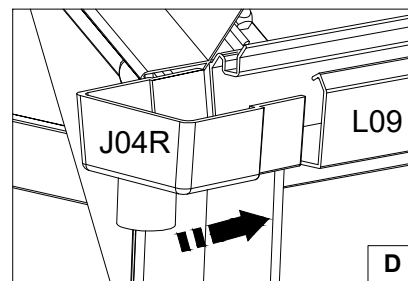
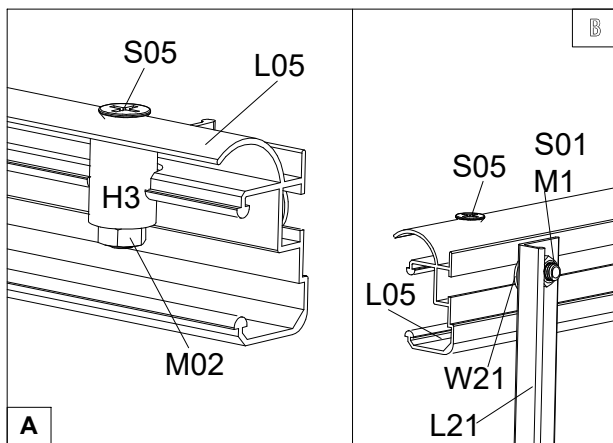
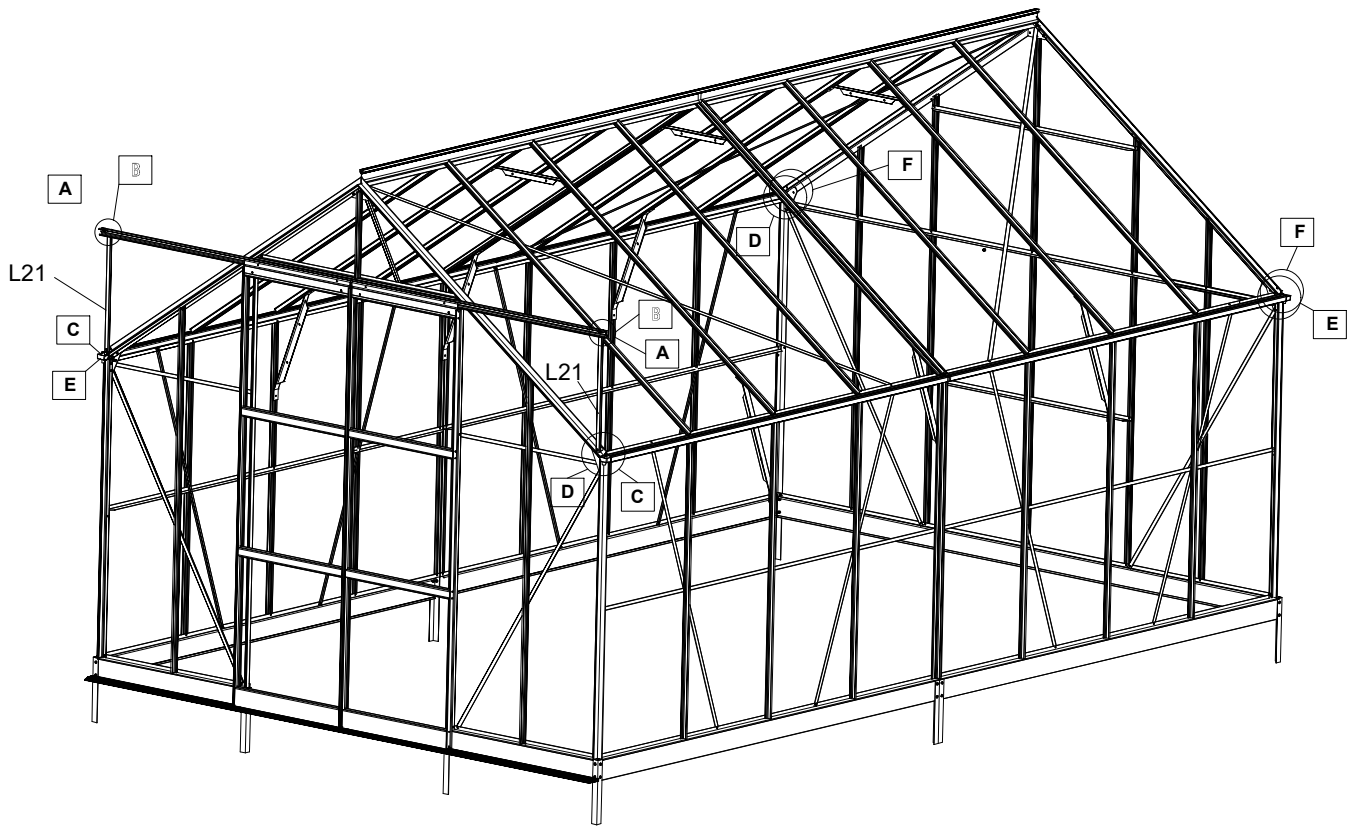
	J25	1388mm	⇒	Y1
	J25	1388mm	⇒	Y6
	J25	1815mm	⇒	Y7

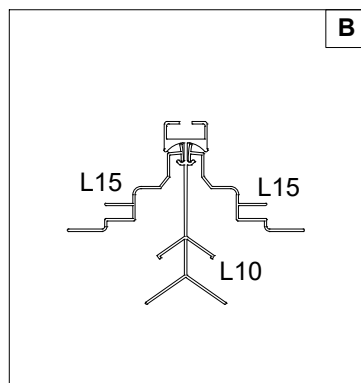
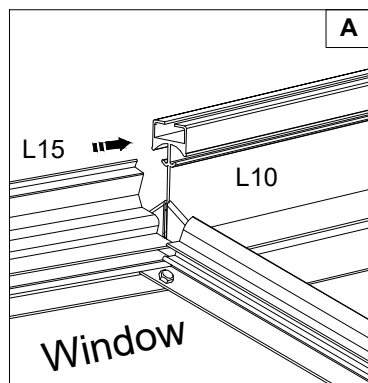
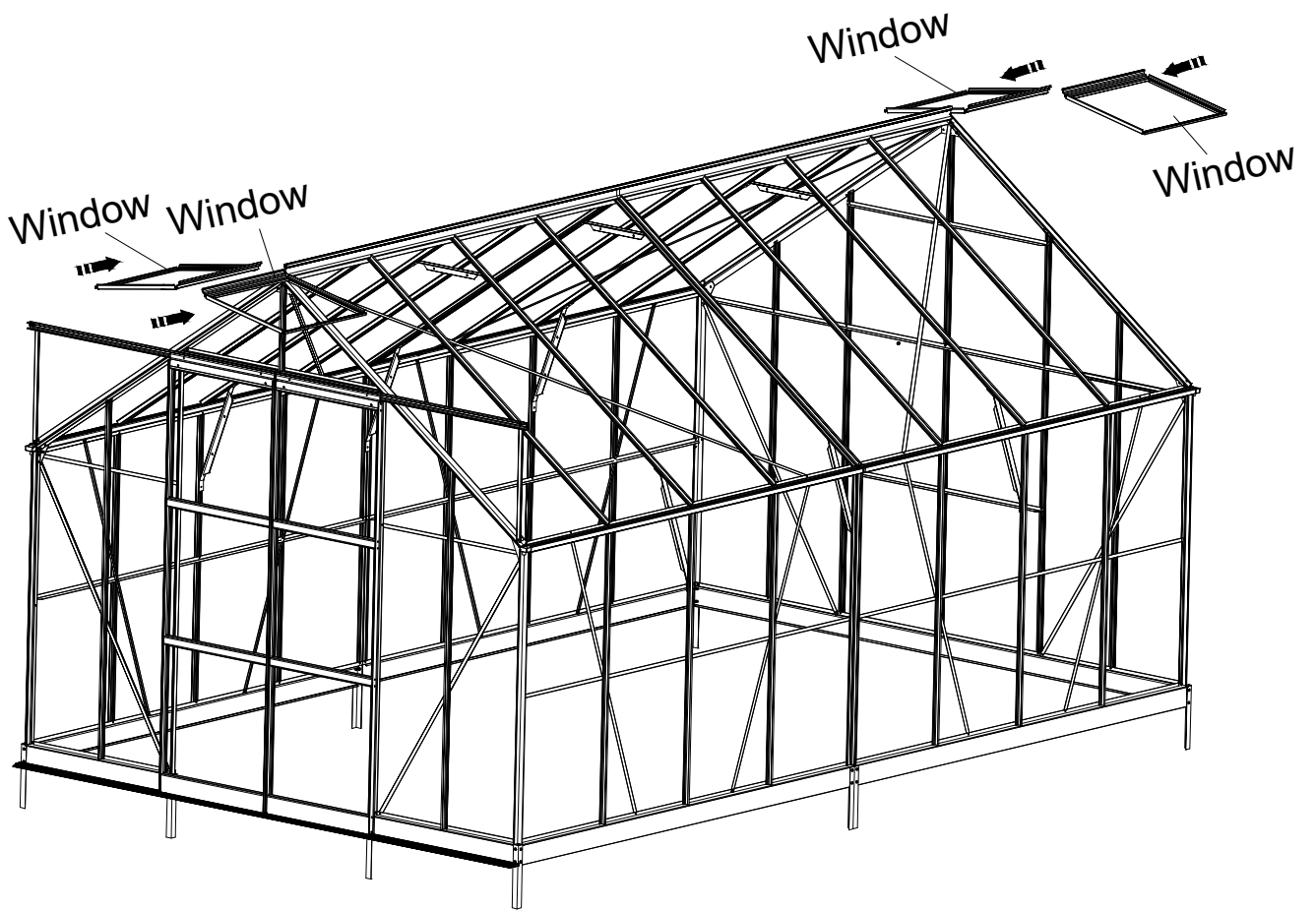


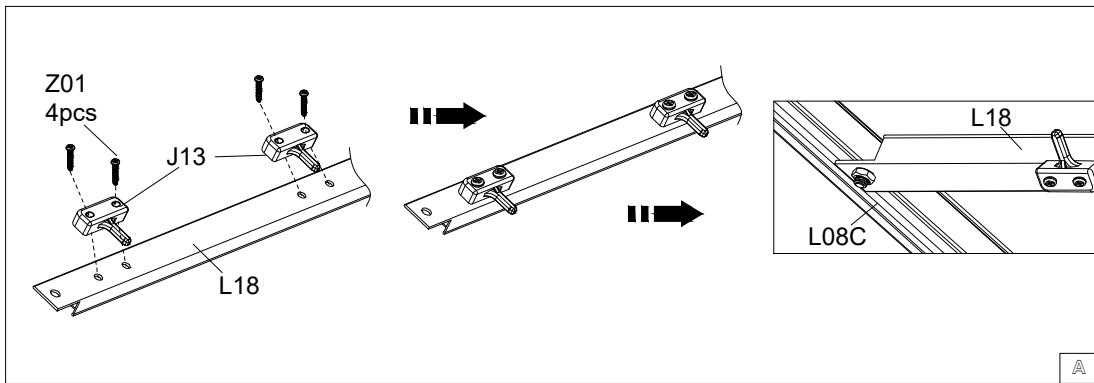
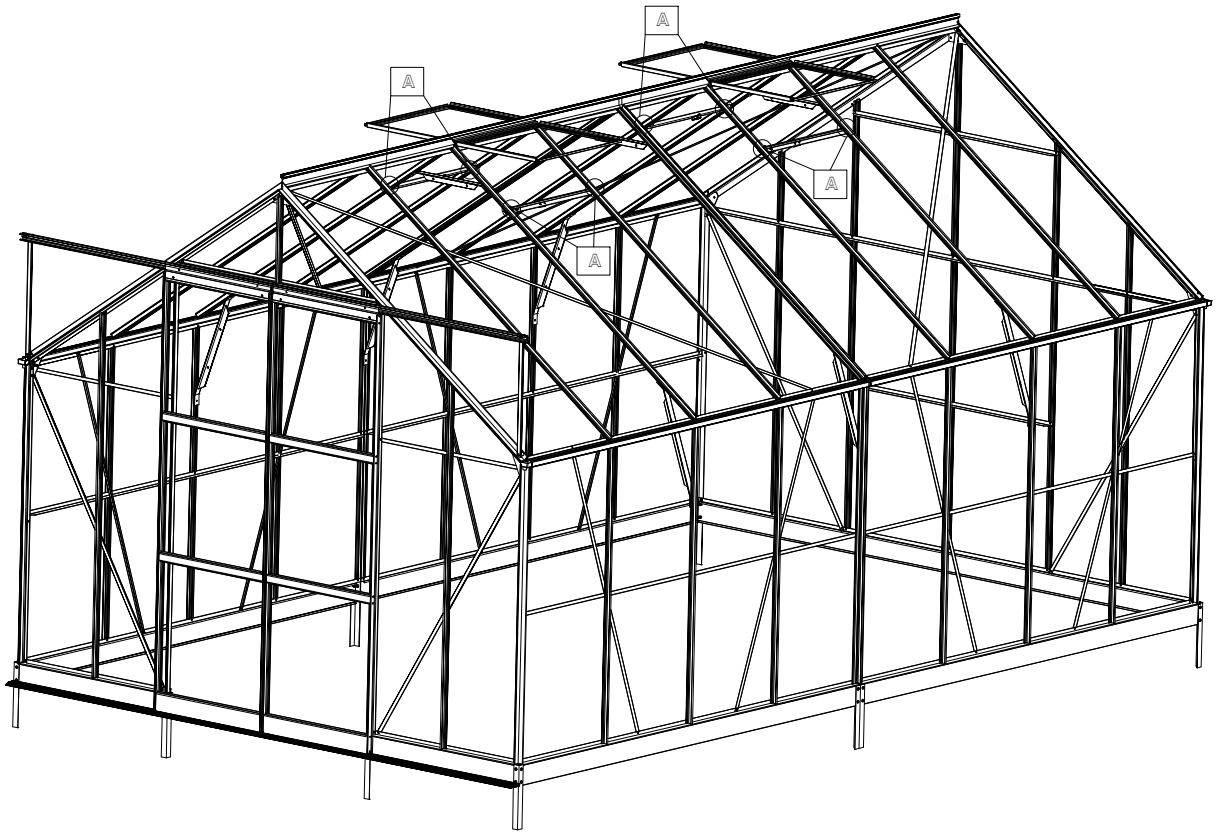
The rubber for other glass panels except Y1, Y6 and Y7 need to use 1/2 pcs of J25 cut and spliced together.

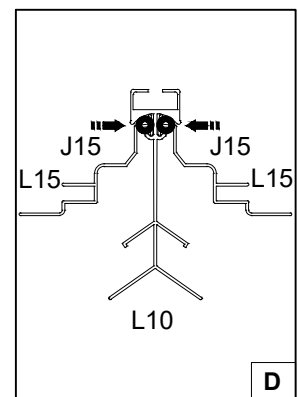
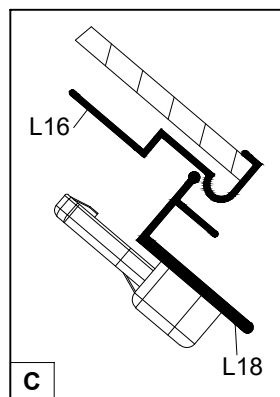
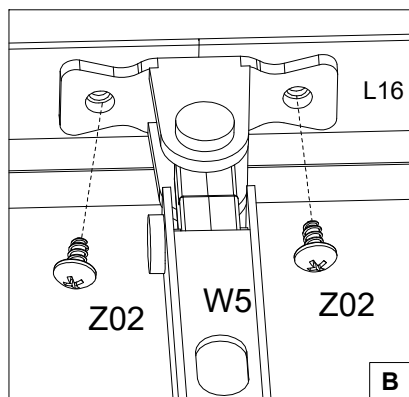
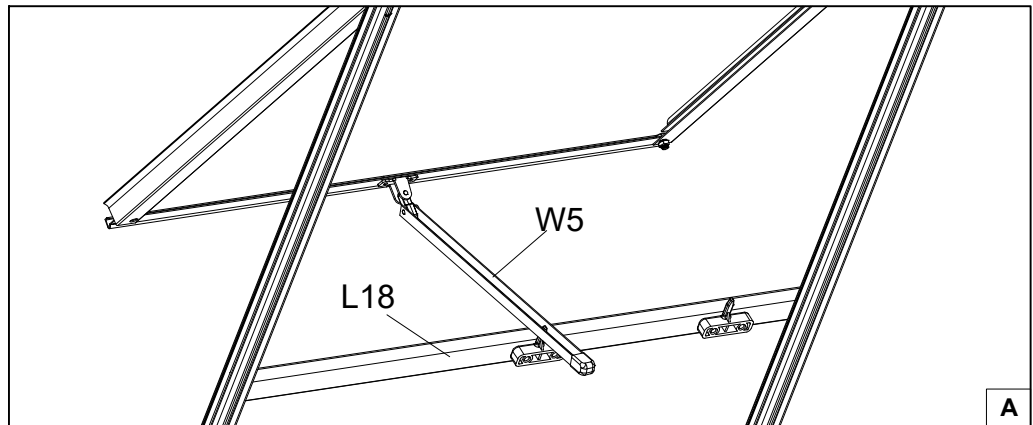
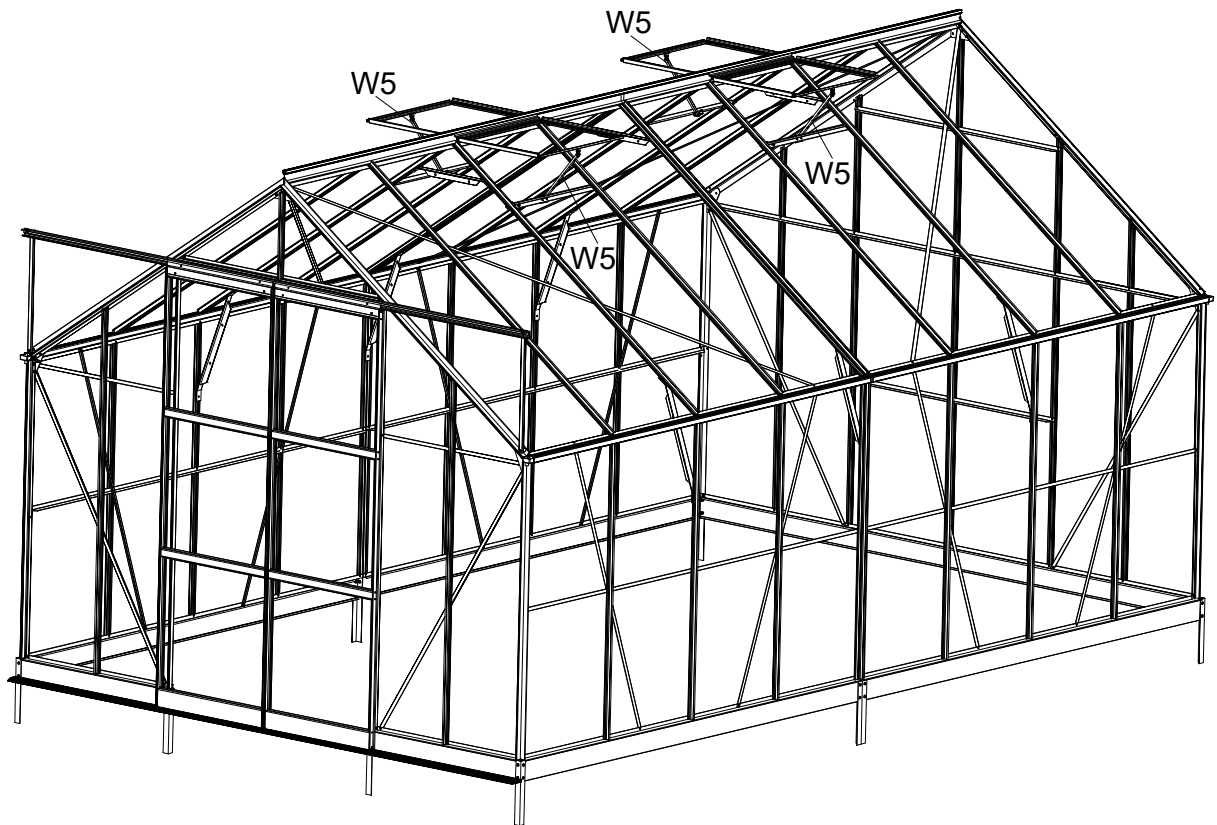




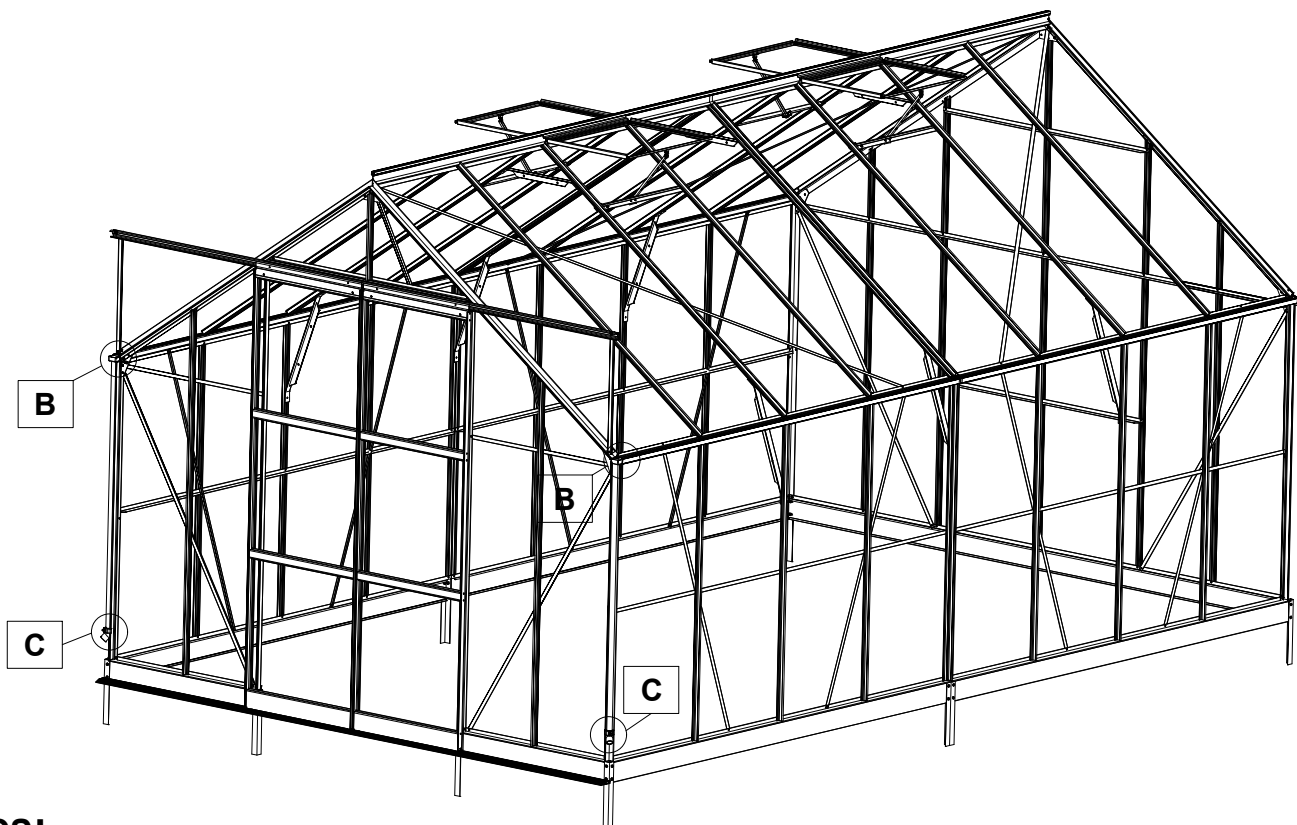






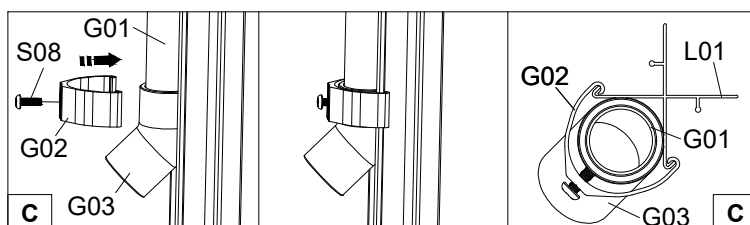
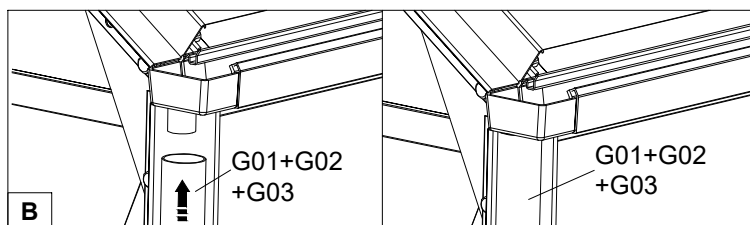
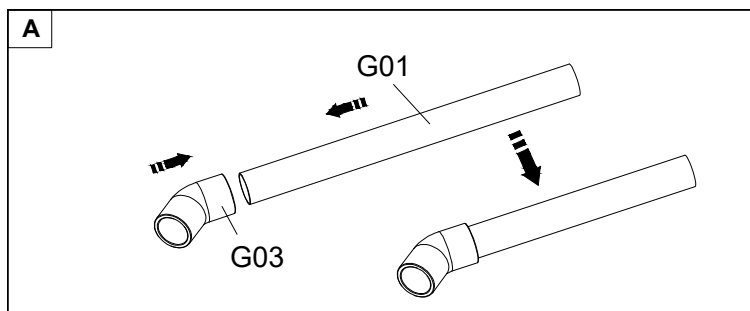






Downpipe Set Assembly Instruction



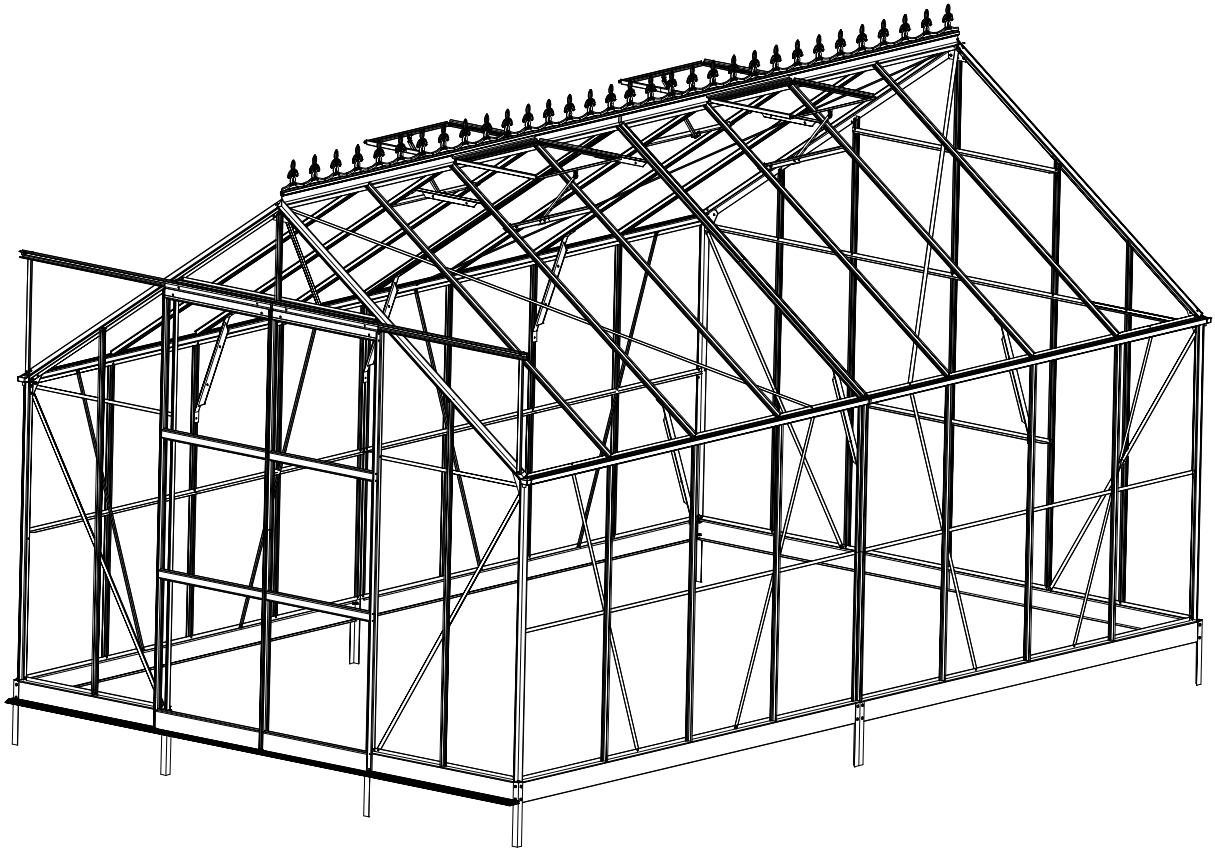
Notes:


1. If customer only need downpipes on front or back of the greenhouse, they can use J04 plug to stop gutter hole in the other end.
2. Customer can cut the pipes by themselves according to different greenhouse eave height.



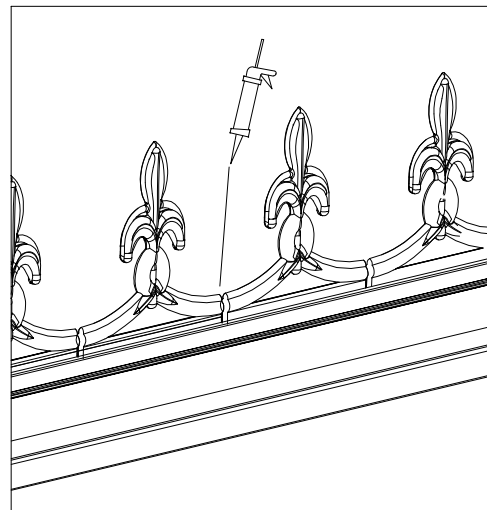
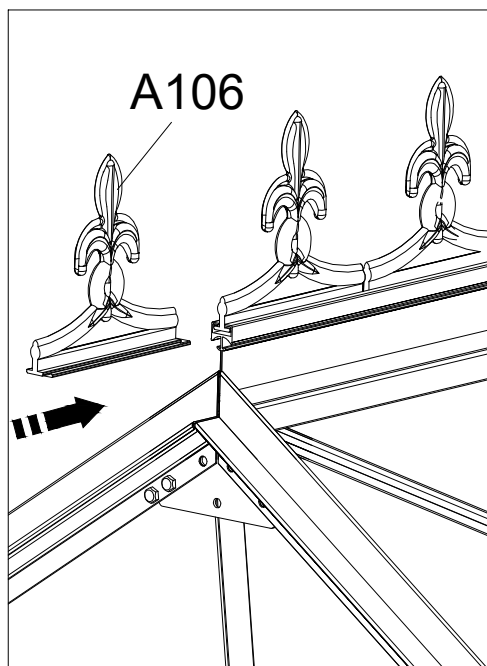
PART	#	mm	Qty.
	G01	1200	2
	G02	44*33*20	2
	G03	1'	2
	S08	M4*12	2

Cresting Assembly Instruction



PART	N°	Qty.
	A106	33

Sliding each cresting A106 into slot of ridge frame, please put silicon sealant on each of them to connect as a whole part.



Contact information

Austria



Belgium



Croatia



Denmark



Estonia



Finland



France



Germany



Ireland



Italy



Latvia



Lithuania



Nederland



Norway



Poland



Portugal



Spain



Sweden



Switzerland



UK

