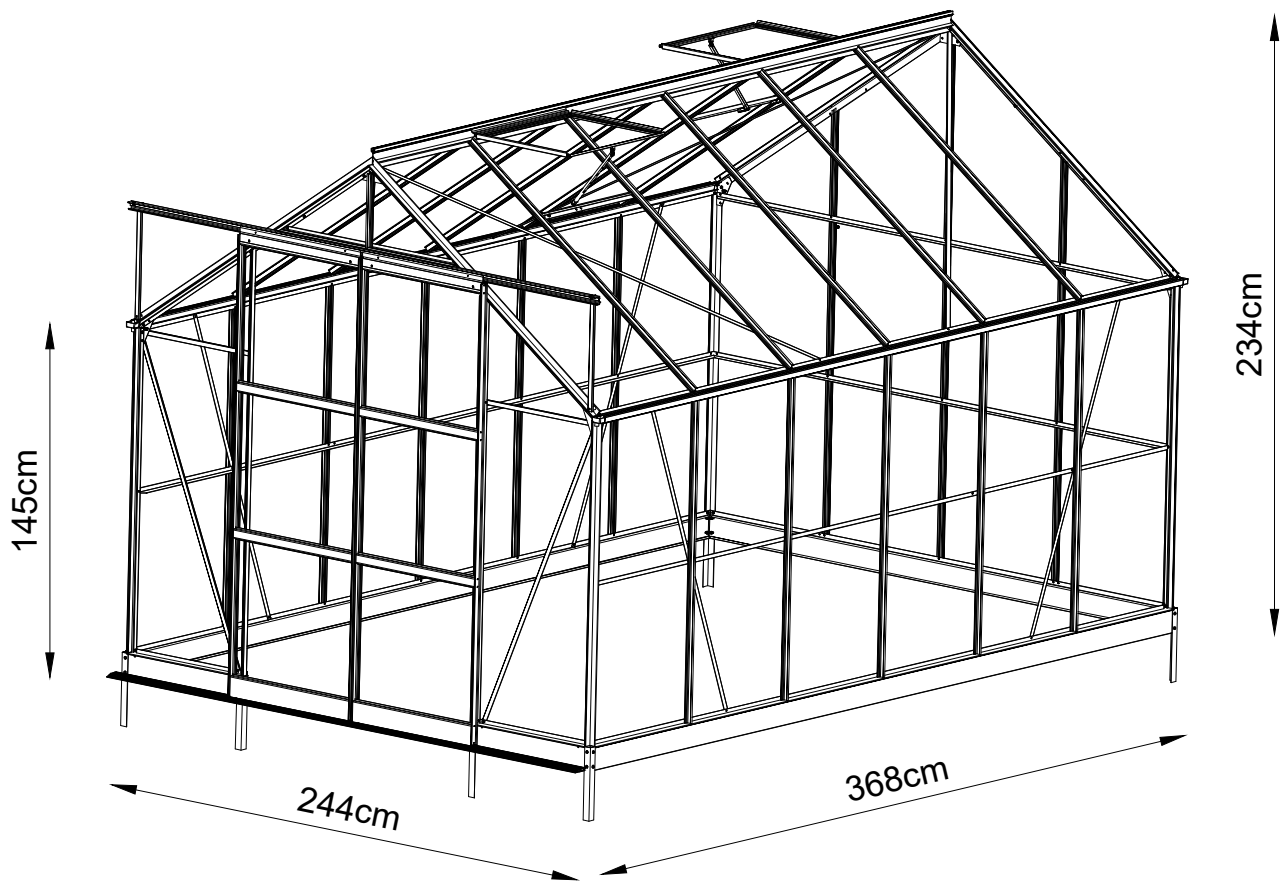


DANCOVER[®]

.com

Manual
for
Greenhouse
2,44x3,68x2,34m

Greenhouse Assembly Instructions



Dimensions (LxWxH) : 368x244x234cm

Dear customer,

Congratulations on the purchase of your new Greenhouse.

Please carefully read the following guide before commencing construction.

Warning: *Before undertaking any work on your greenhouse take all the necessary time to identify any possible hazards including underground and overhead power lines and underground water pipes etc.*

Site Selection.

A sunny, unobstructed, north facing position that is sheltered from strong winds is best to maximize the potential of your greenhouse.

Your greenhouse should be placed on a flat and level surface. There are many foundation options that may suit your requirements. Greenhouses come with Internal mounting options to suit most needs.

Access to water and/or electricity should be considered at an early stage and before solid foundations are laid. It is advisable to have enough access around your new greenhouse for both Installation and maintenance.

Setting out.

Securing directly to the soil.

Assemble the aluminium frame and position (unglazed) onto proposed site prior to digging your post holes, This will allow you to locate and to mark the exact position of post holes for anchoring.

Once you have marked your anchor positions move the glasshouse frame to allow the holes to be drilled/dug. A minimum hole depth of 600mm and diameter of 200mm is recommended.

Once the anchor pegs have been attached to the base and corner brackets you can lift the greenhouse above holes and lower to ground level.

Once you are satisfied with the final position and you have ensured the frame is square, level and plumb concrete can be poured into anchor holes.

If preferred all holes can be dug using the internal measurements of the base as a guide. This is a more simple method although it is less exacting.

Securing to a solid base.

Use the base plan supplied in the following instruction manual as a guide to build your solid base whether it be a timber, block or brick nib wall or

Fixings are located internally and are located approximately 55mm inside of the 43mm aluminium base. (To sit and fix on a wall would require a minimum width of 100mm).

Glazing.

Once the aluminium frame is completed and in position glazing can commence,

Although all glass is toughened safety glass it should always be treated as dangerous and with caution.

Make sure the frame is free from debris before commencing,

Beware of wind at all times,

If resting panels during construction a leaning position is recommended over lying flat.

Start with the roof panels and work from one end to the other.

To insert the roof panels lean against the guttering and slide up between the glazing bars until they reach the ridge and drop into place

Glaze the walls by leaning panels between the vertical glazing bars, push up and into the rebate located on the underside of the guttering.

Make sure the bottom of the glass panel is sitting securely on the top of the base.

The panel will look square and plumb and be secured by the groove at the bottom and by the rebate at the top,

Insert the rubbers by using your thumb to push and your index finger to guide you.

All rubbers are made longer than required and are to be trimmed when finished,

If the rubber extrusion seems dry use soapy water to assist when fitting into the glazing bar.

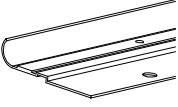
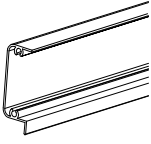
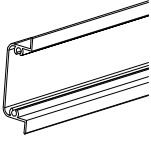
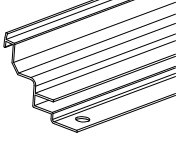
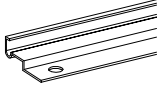
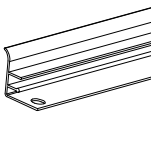
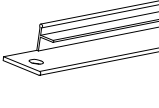
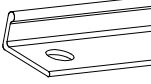
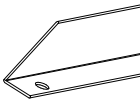
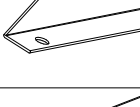
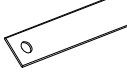

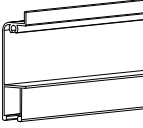
The seals should look flat and straight when complete.

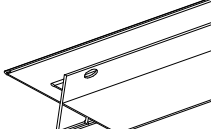
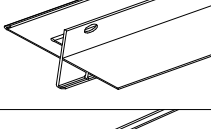
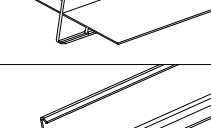
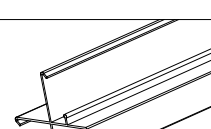
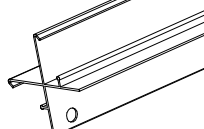
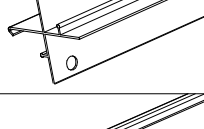
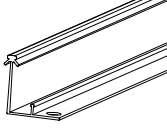
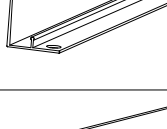
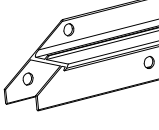
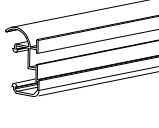
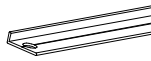


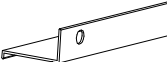
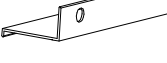



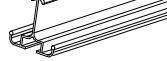


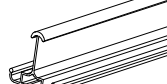
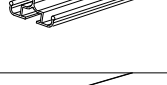
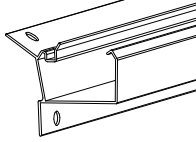
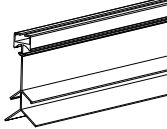

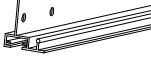
Leave rubbers for an hour or two before cutting to required length as they may stretch then retract when inserting.






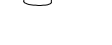
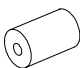


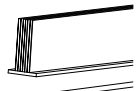







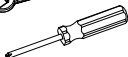
Do not cut rubbers until you have inserted all of them.

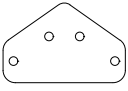
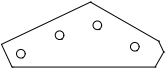
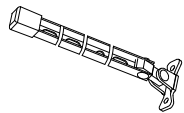
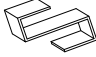
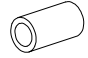
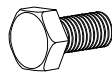
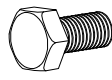
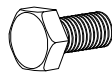
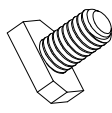


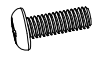


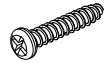





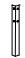

During the installation process, you need to use silicone to achieve better waterproof effect in the gap in the aluminum alloy sink.

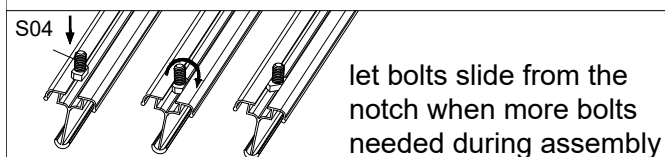
Please contact your provider if you require further guidance.

PART	#	mm	Qty.
	L12	600	2
	L13A	600	2
	L13B	600	4
	L15	582	2
	L16	582	2
	L17	470	4
	L18	617	2
	L21	476	2
	L22A	2373	2
	L22B	3582	2
	L24	1418	4
	L37	2435	1
	L38	600	2

PART	#	mm	Qty.
	L01A	1473	1
	L01B	1473	1
	L01C	1473	1
	L01D	1473	1
	L01E	1325	2
	L01F	1325	2
	L03A	1745	1
	L03B	1745	1
	L04	960	1
	L05	2440	1
	L06A	1393	2
	L06B	578	2
	L06C	2002	4
	L07A	2383	1
	L07B	3585	2
	L07C	600	1
	L07D	600	1
	L08A	1759	1
	L08B	1759	1
	L08C	2150	1
	L08D	300	1
	L08E	1325	10
	L08F	1450	10
	L09	3585	2
	L10	3585	1
	L11A	1887	2
	L11B	1887	2

PART	#	mm	Qty.
	H3		3
	J04		2
	W46		3
	W21	φ12*φ6*1.5	2
	J04L		2
	J04R		2
	J15	Ø6.5*20	4
	J11		4
	J13		4
	J18	1.88M	2
	J19	102M	1
	J25	1325 1473	28 48
	G01	1200	2
	G02	44*33*20	2
	G03	1'	2
	A106		25
	T01		1
	T02		1

PART	#	mm	Qty.
	W1		2
	W2		4
	W5		2
	W11		12
	W13	Ø12*28	2
	S01	M6*10	179
	S02	M6*16	3
	S03	M6*40	2
	S04	M6*14	10
	S05	M5*25	3
	S07	M6*60	3
	S08	M4*12	2
	M01	M6	185
	M02	M5	3
	Z01	Ø4*16	40
	Z02	Ø4*10	4
	W07A	627	1
	W07B	627	1
	W07C	3636	2
	W07D	2435	1
	W08	350	6
	W09		19



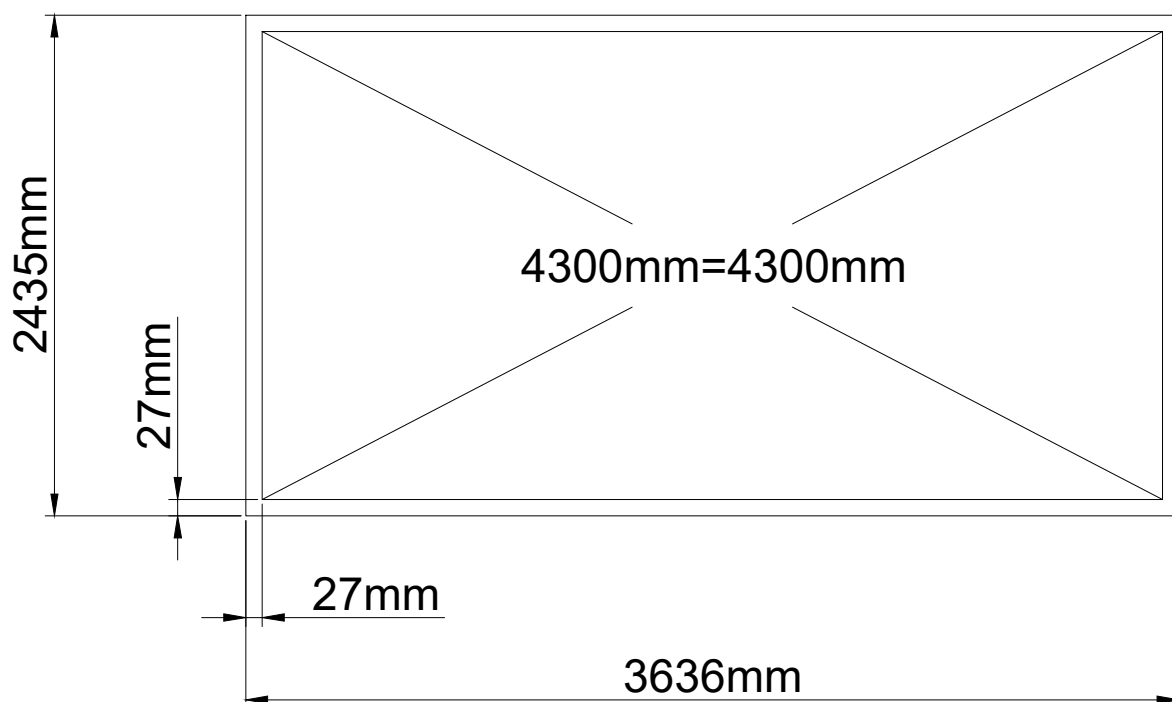
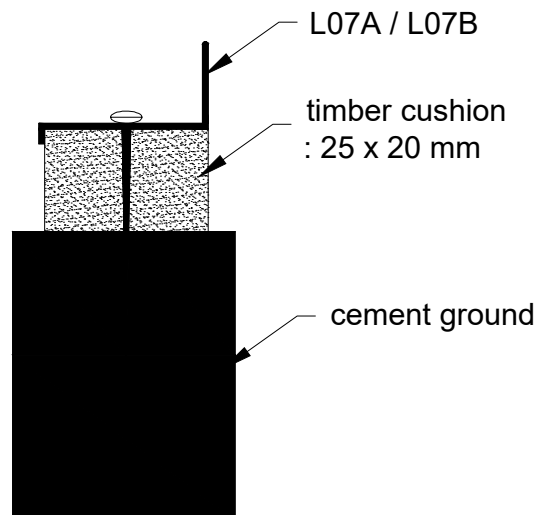
Base assembly

It is critical that the greenhouse base is perfectly squared so as the diagonal measurements are the same ,

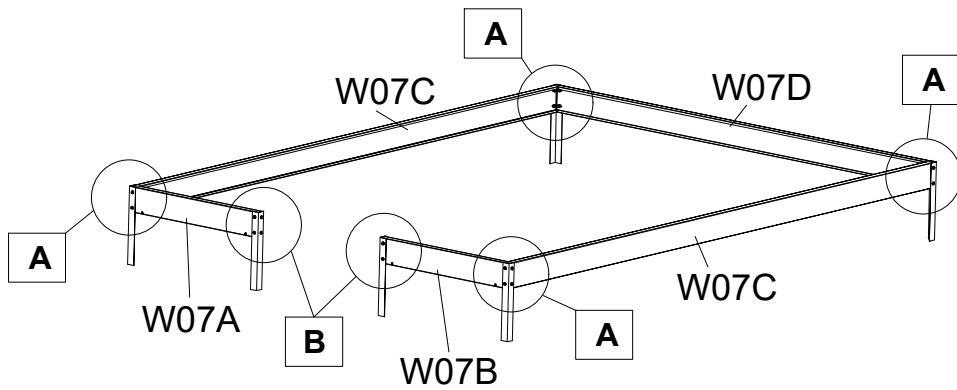
The greenhouse also needs to be consistently level across the front and back . You can have fall from front to back , however it must be the fall on both sides ,

Anchoring the greenhouse into the ground is critical.

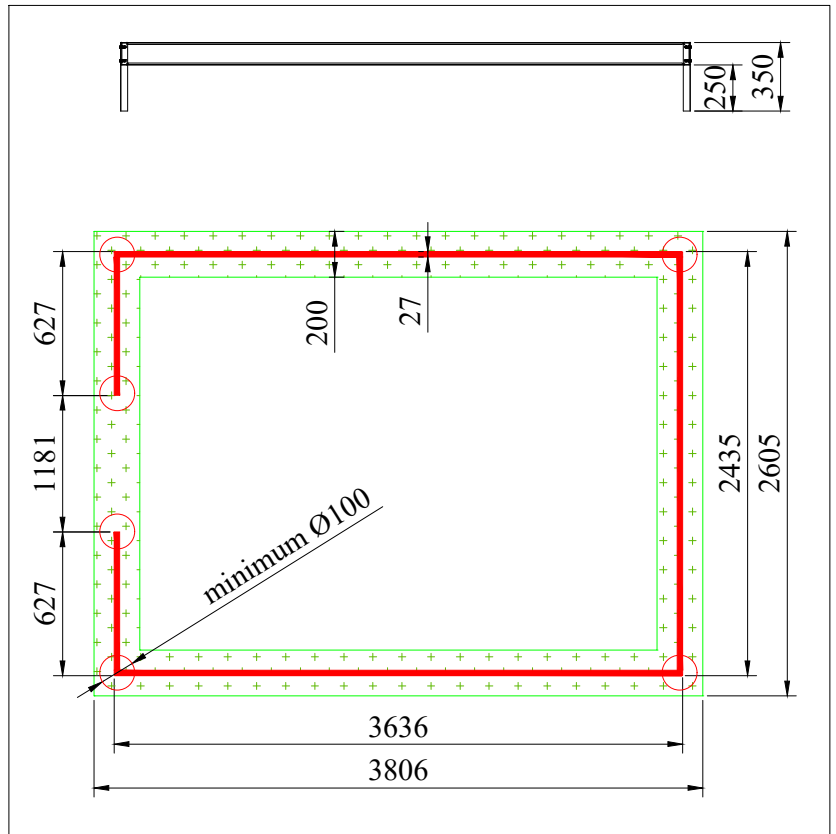
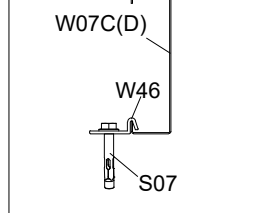
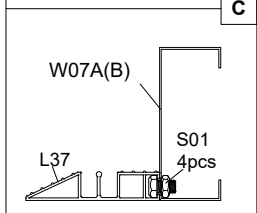
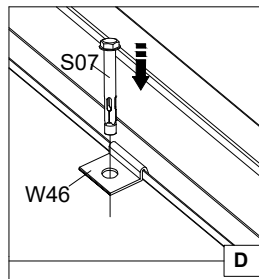
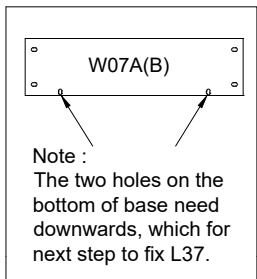
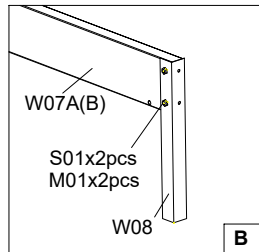
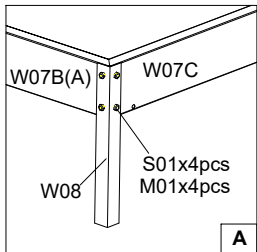
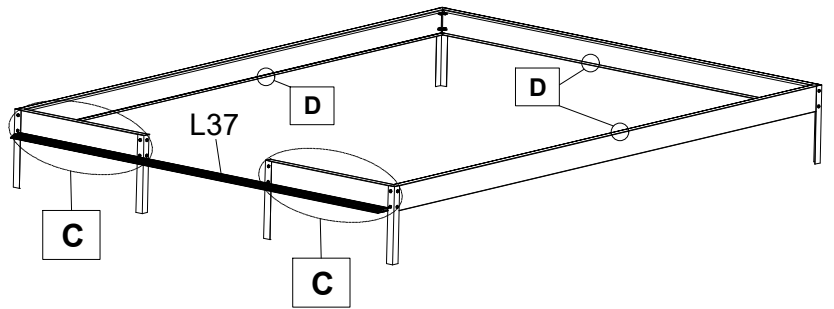
We recommend using masonry anchors if you have a slab , in which case you would cut the anchor legs off . Alternatively the anchor legs can be concreted into the ground (min footing 300mm dia , and 400mm deep). This is often best done at the end , weather permitting . Always secure the structure temporarily during construction .



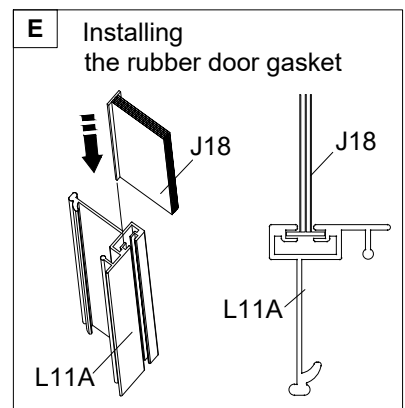
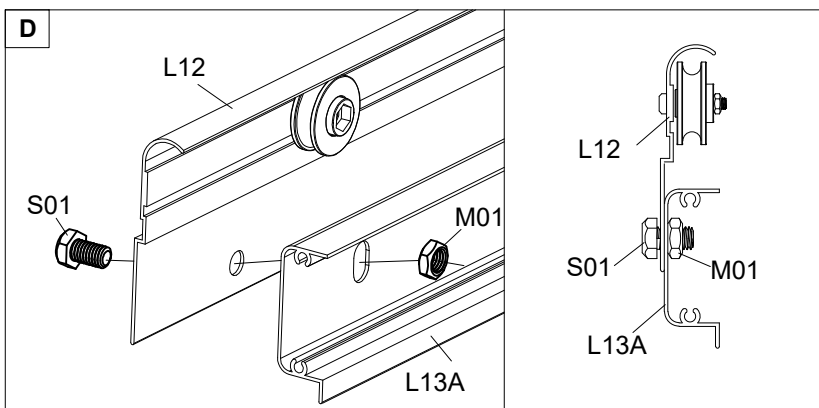
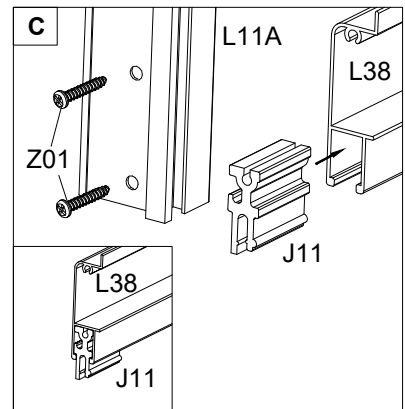
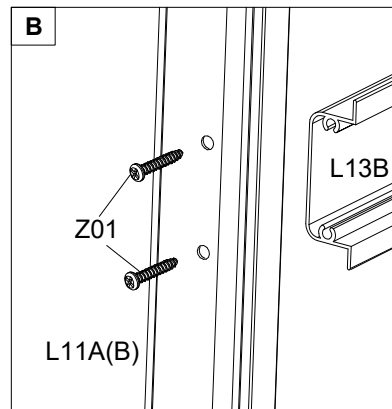
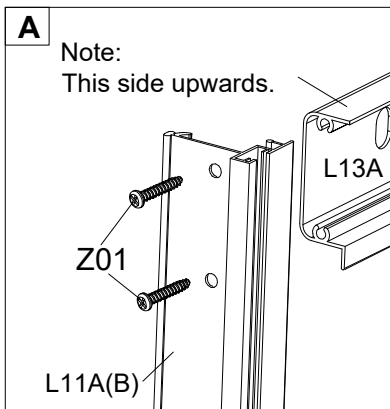
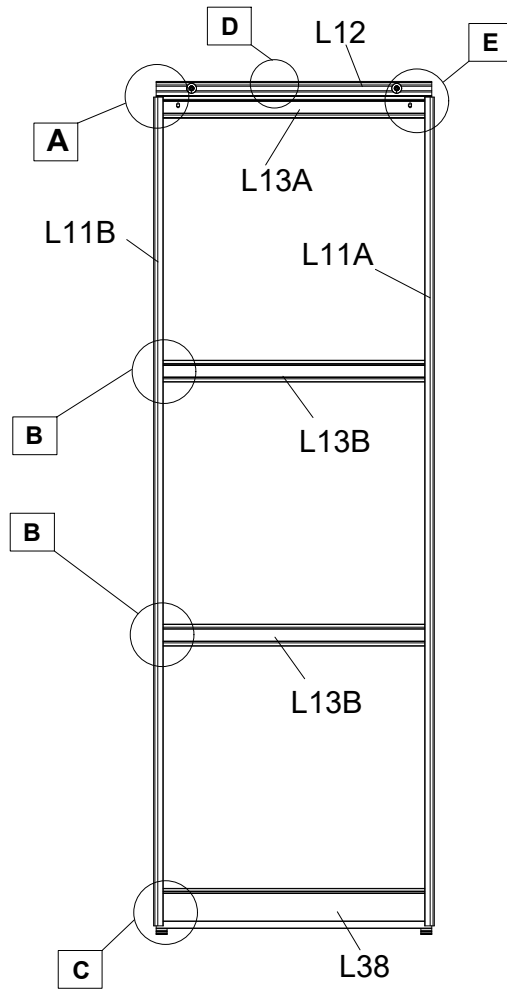
Base installation ground



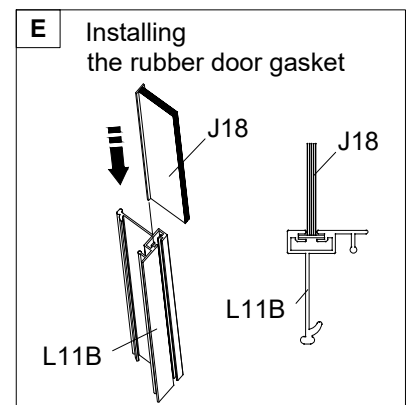
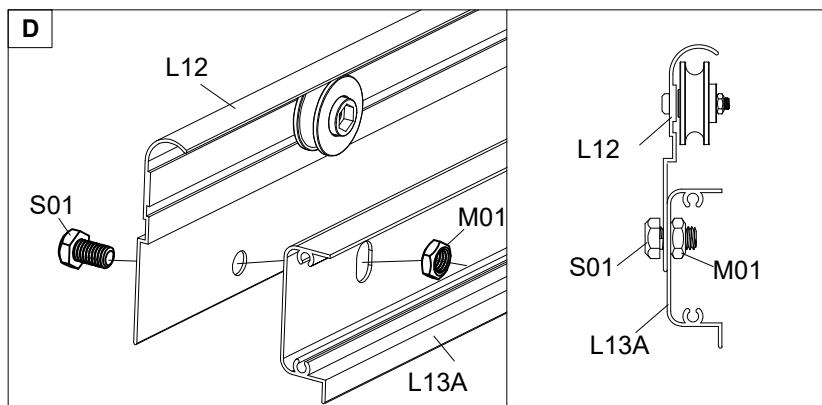
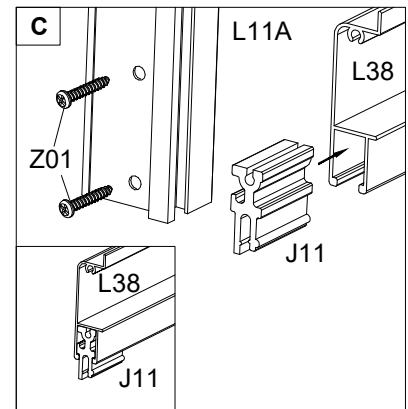
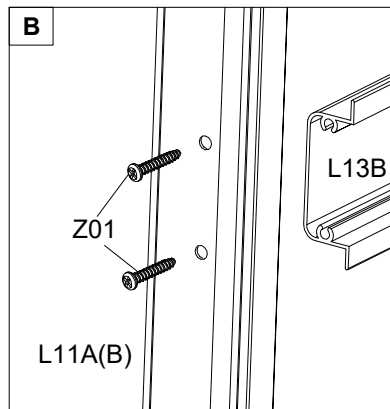
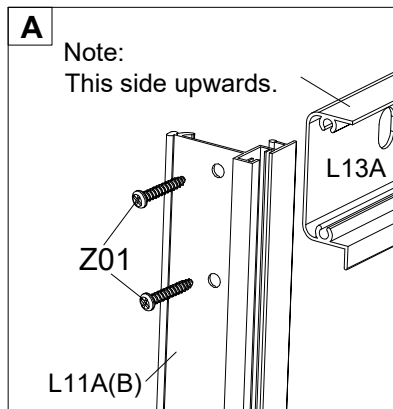
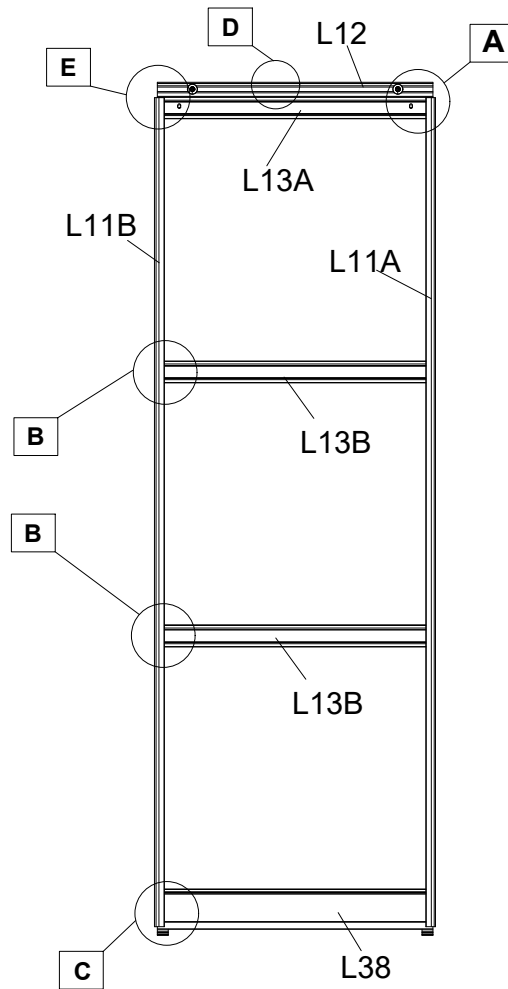
Note :
Please tear off protective film on surface of W08 and W07A (B / C / D) before assemble base .



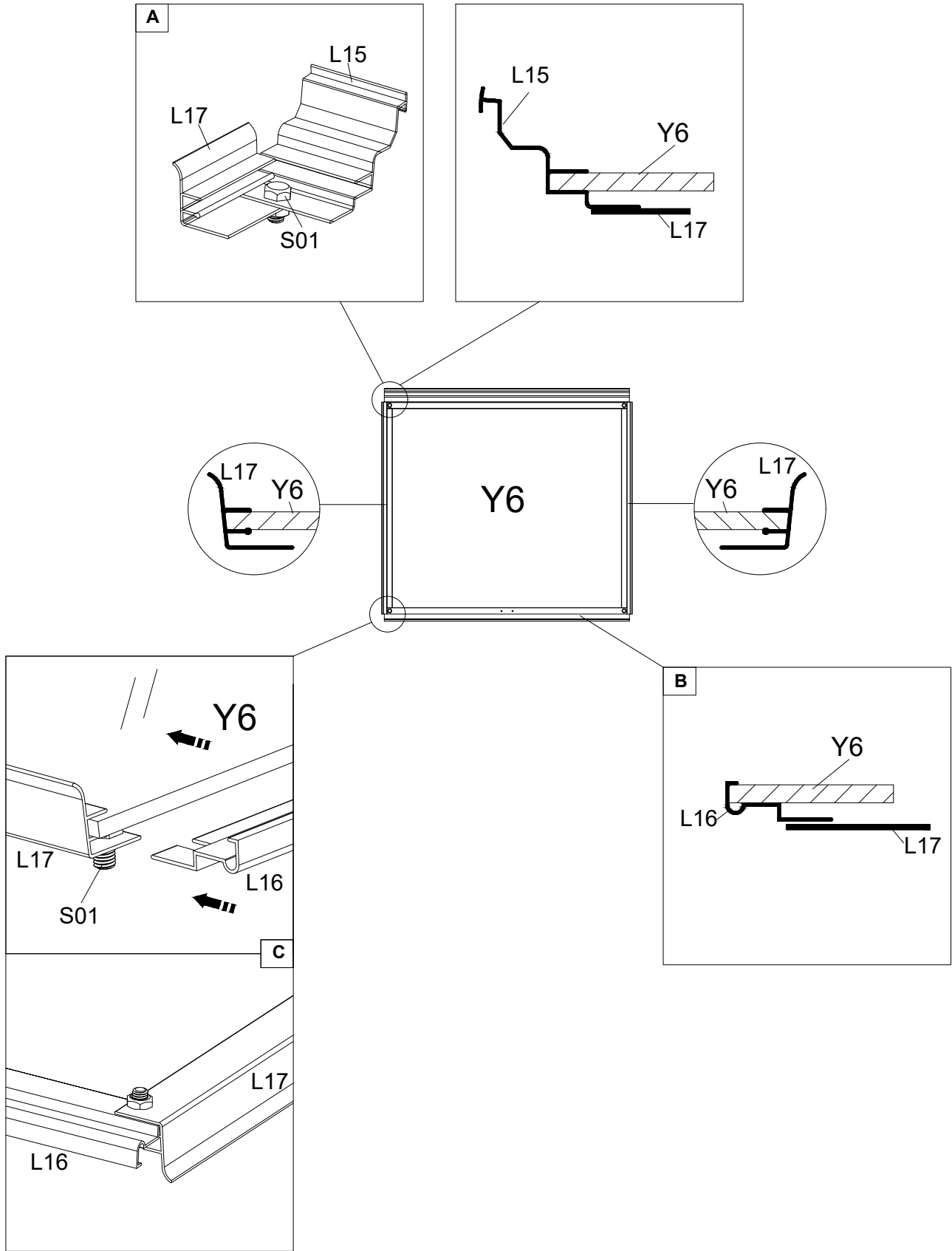
Left Door Assembly



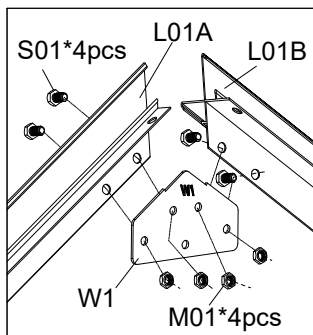
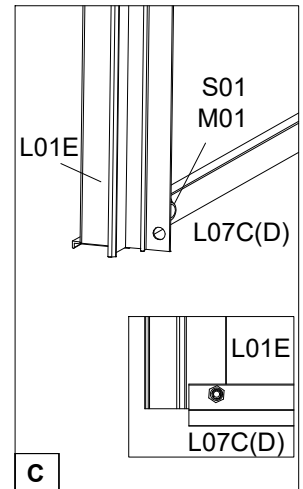
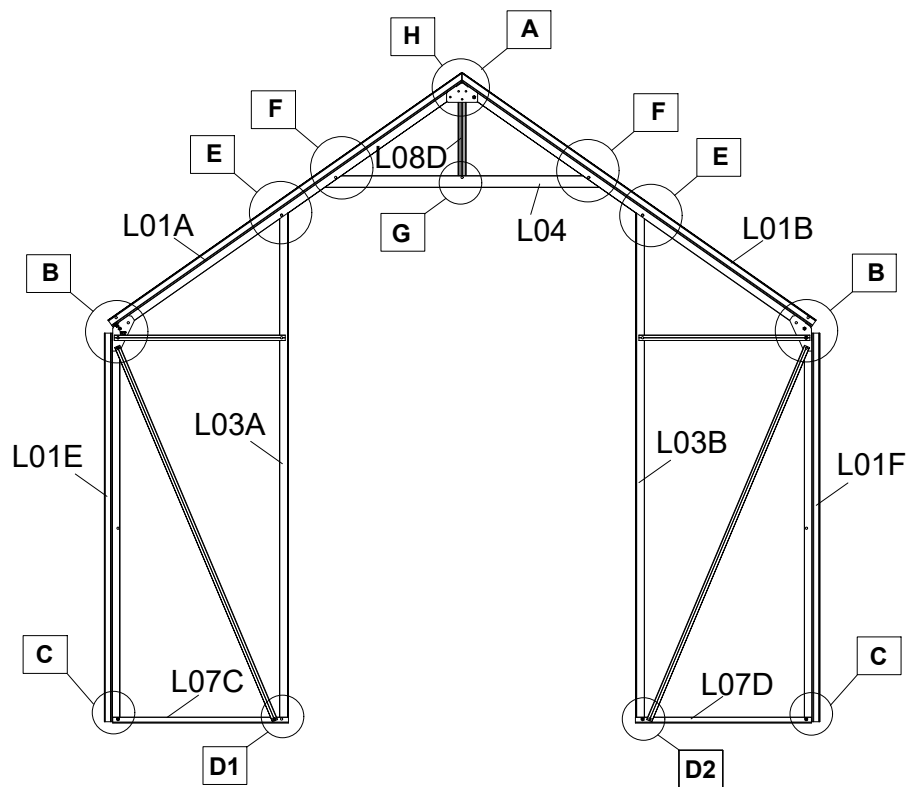
Right Door Assembly



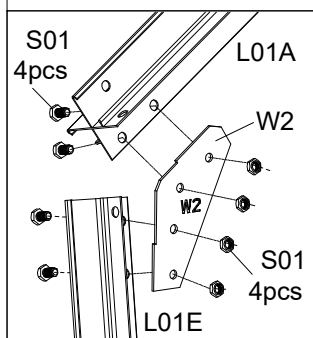
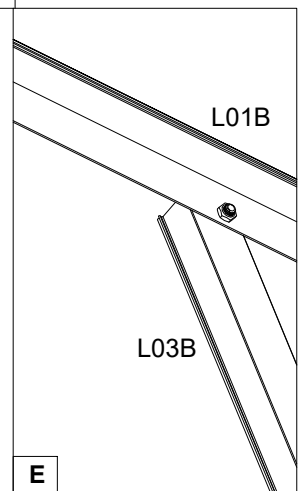
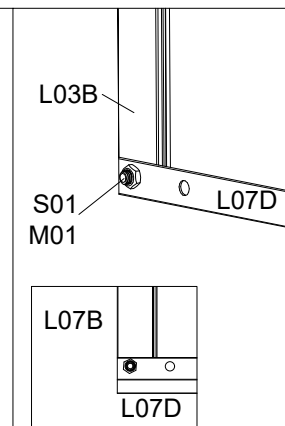
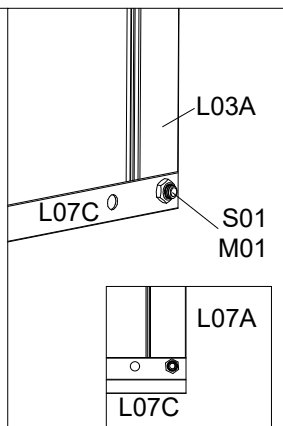
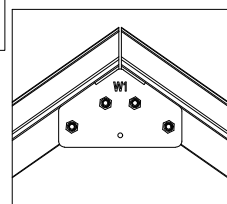
Window Assembly



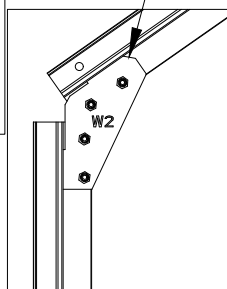
Front Frame Assembly



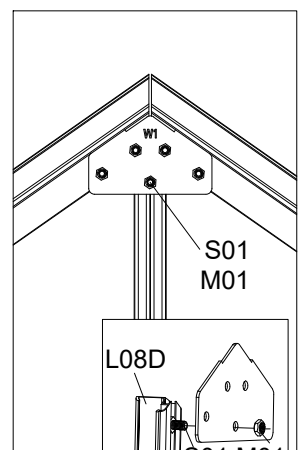
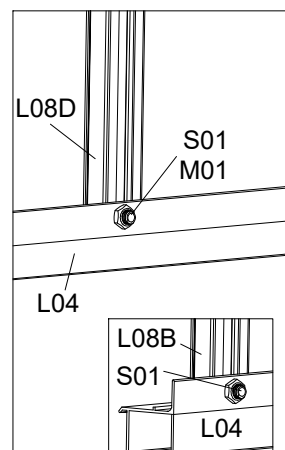
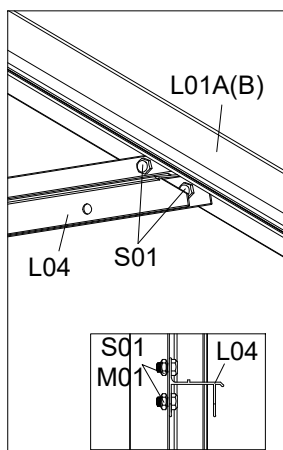
Please do not tighten nuts before installing part L10.



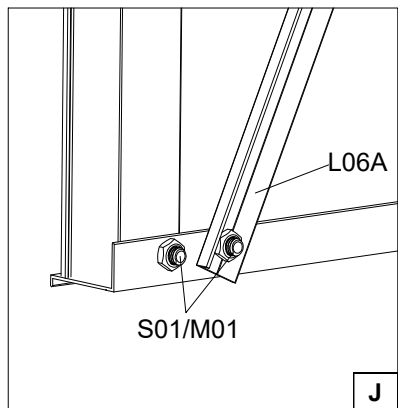
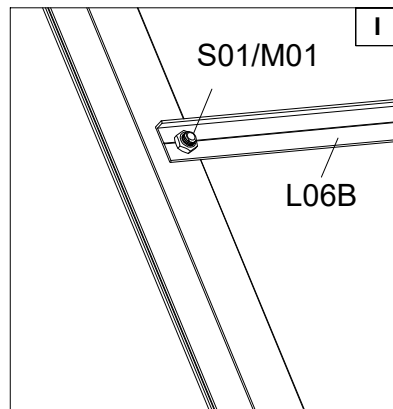
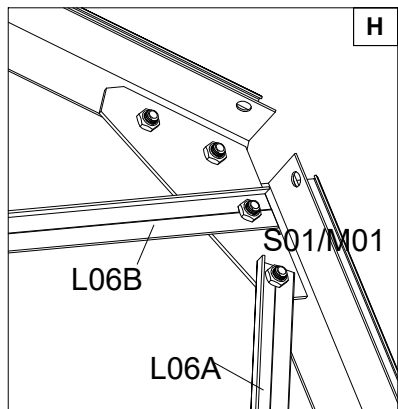
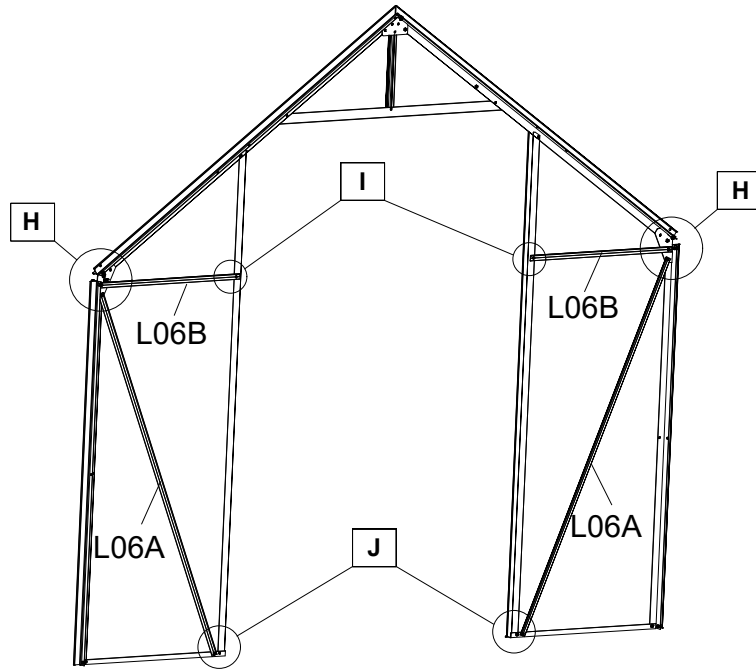
W02 properly assembled



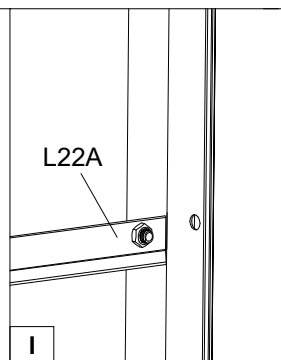
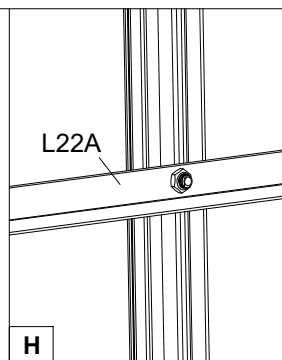
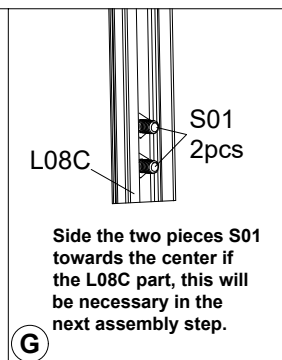
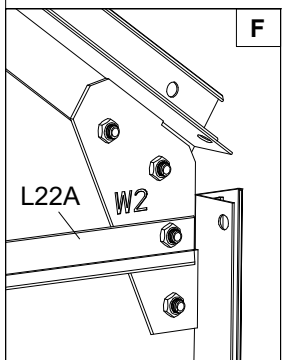
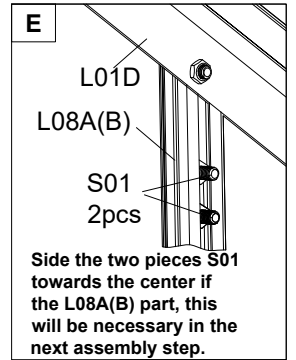
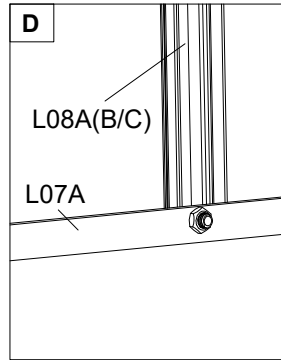
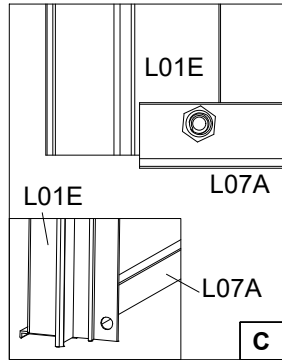
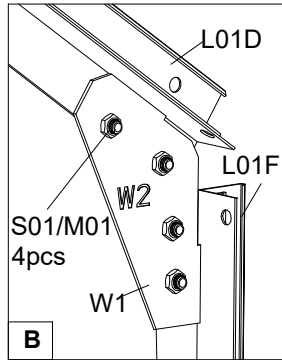
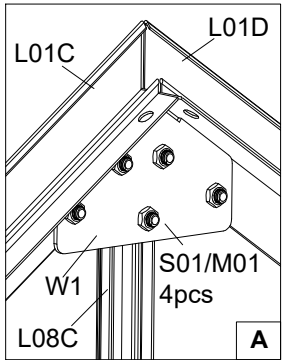
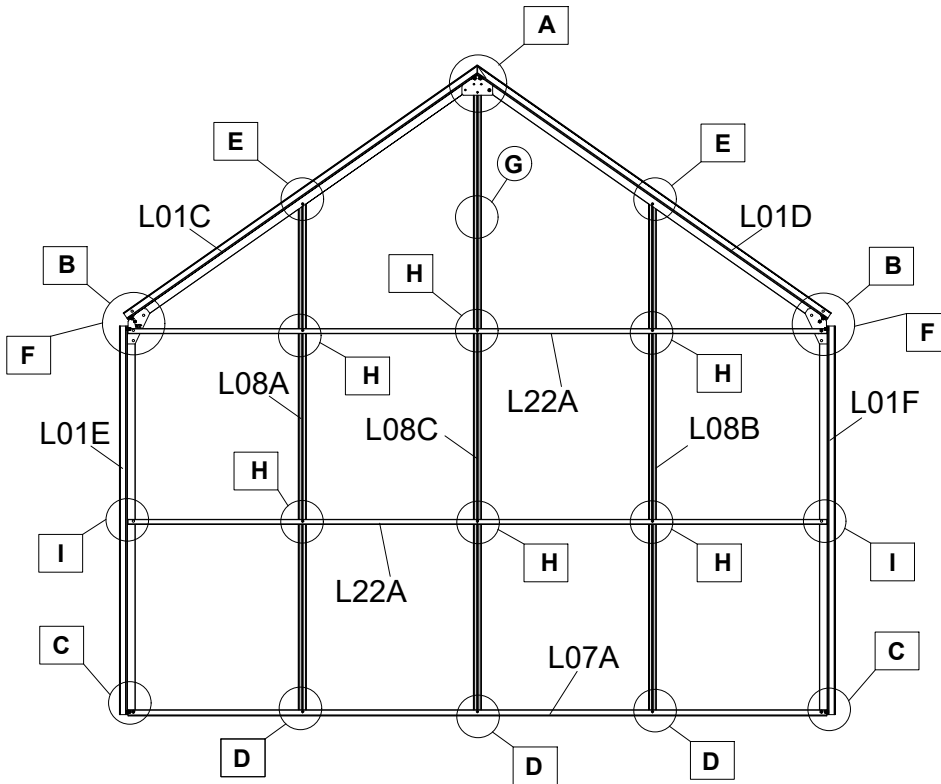
Please do not tighten nuts before positioning part L09.



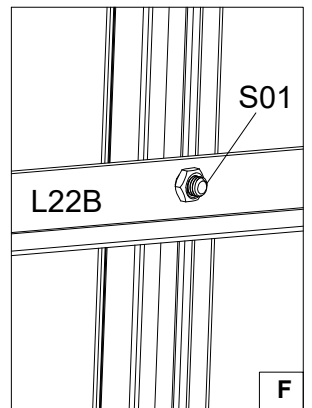
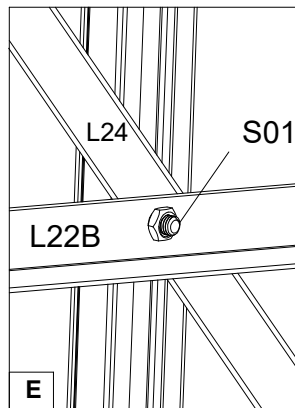
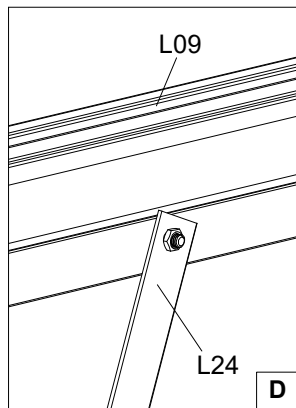
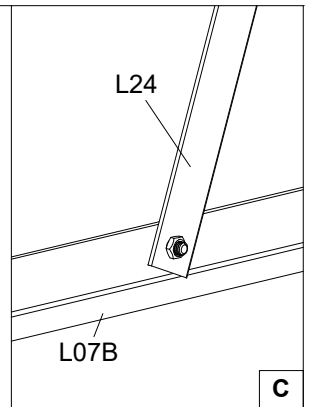
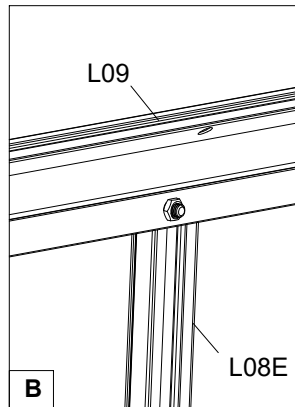
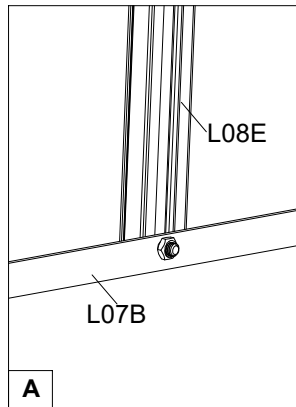
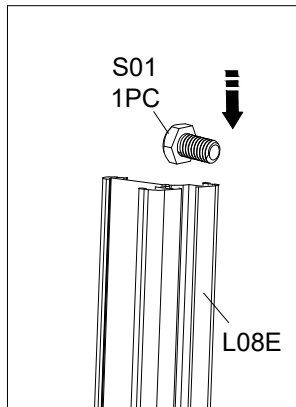
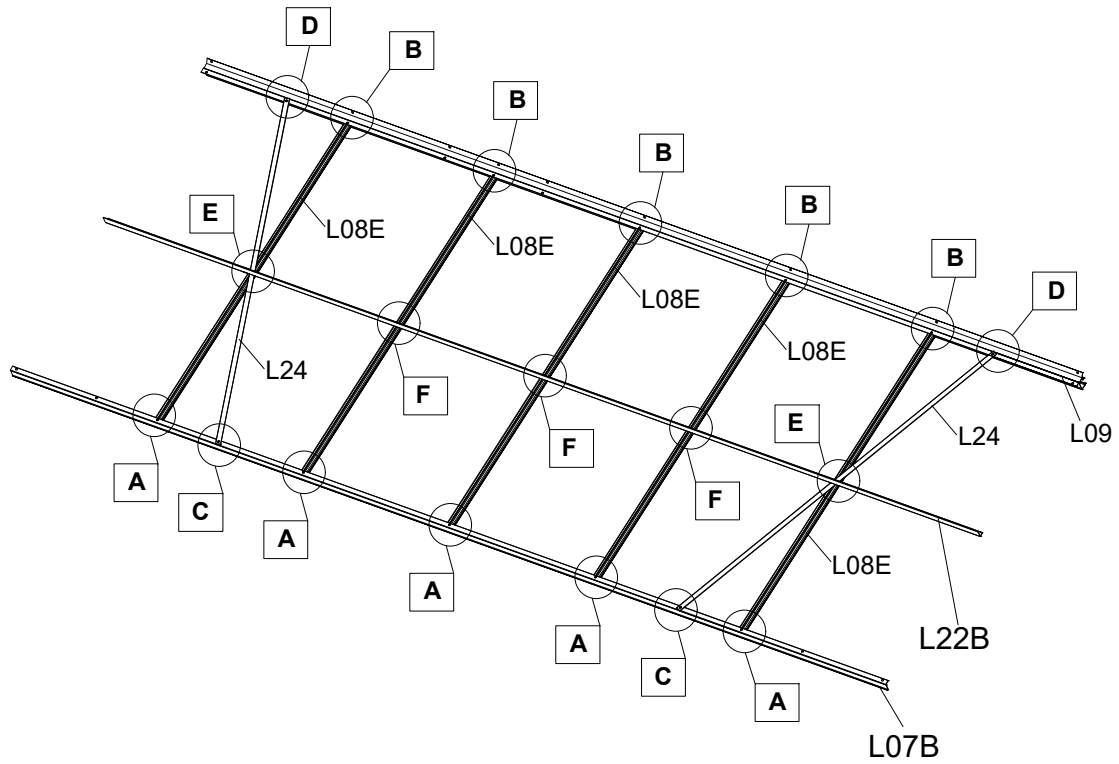
Front Frame Assembly

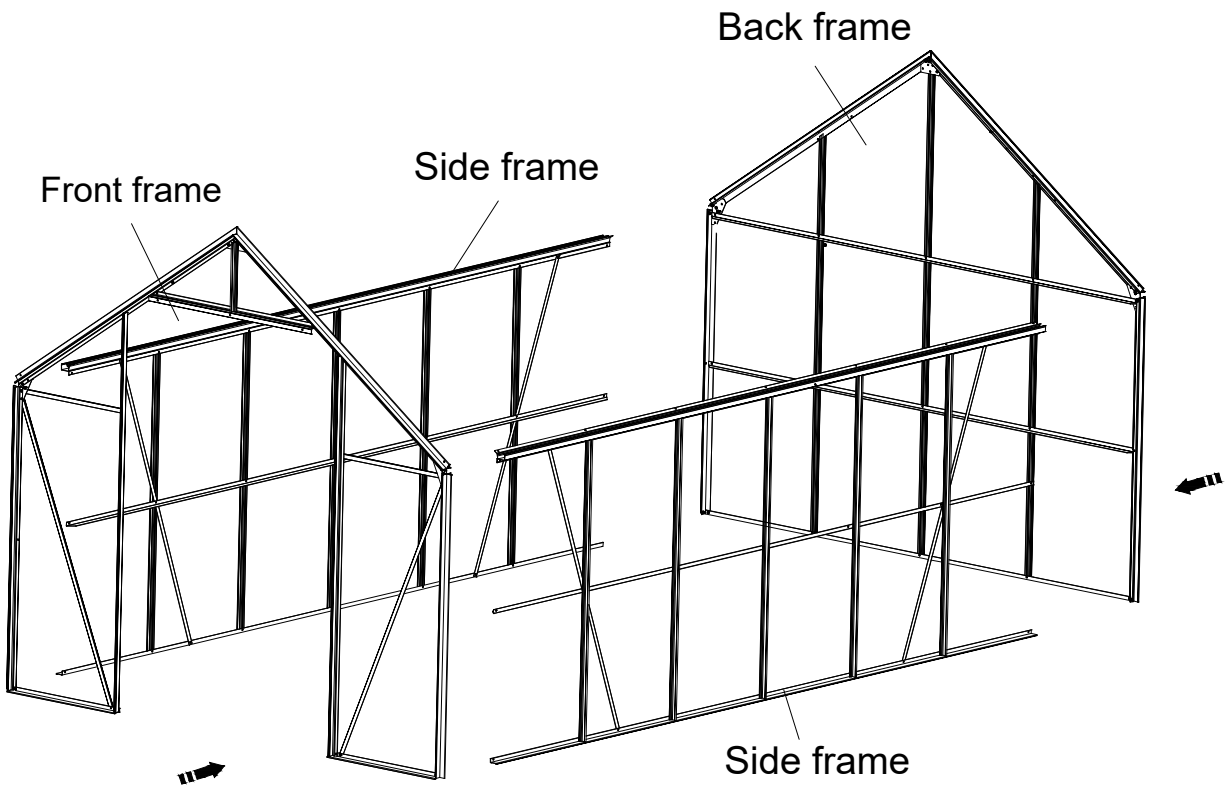


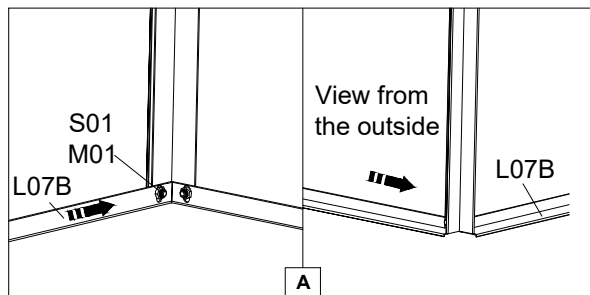
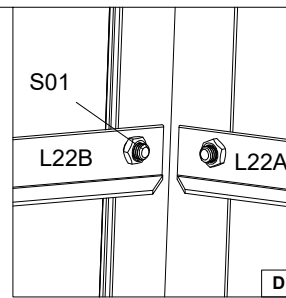
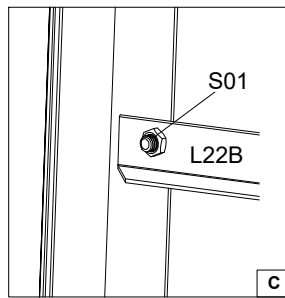
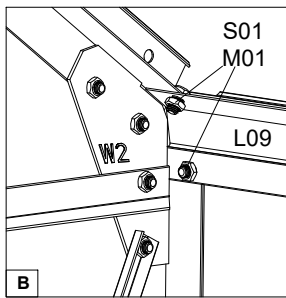
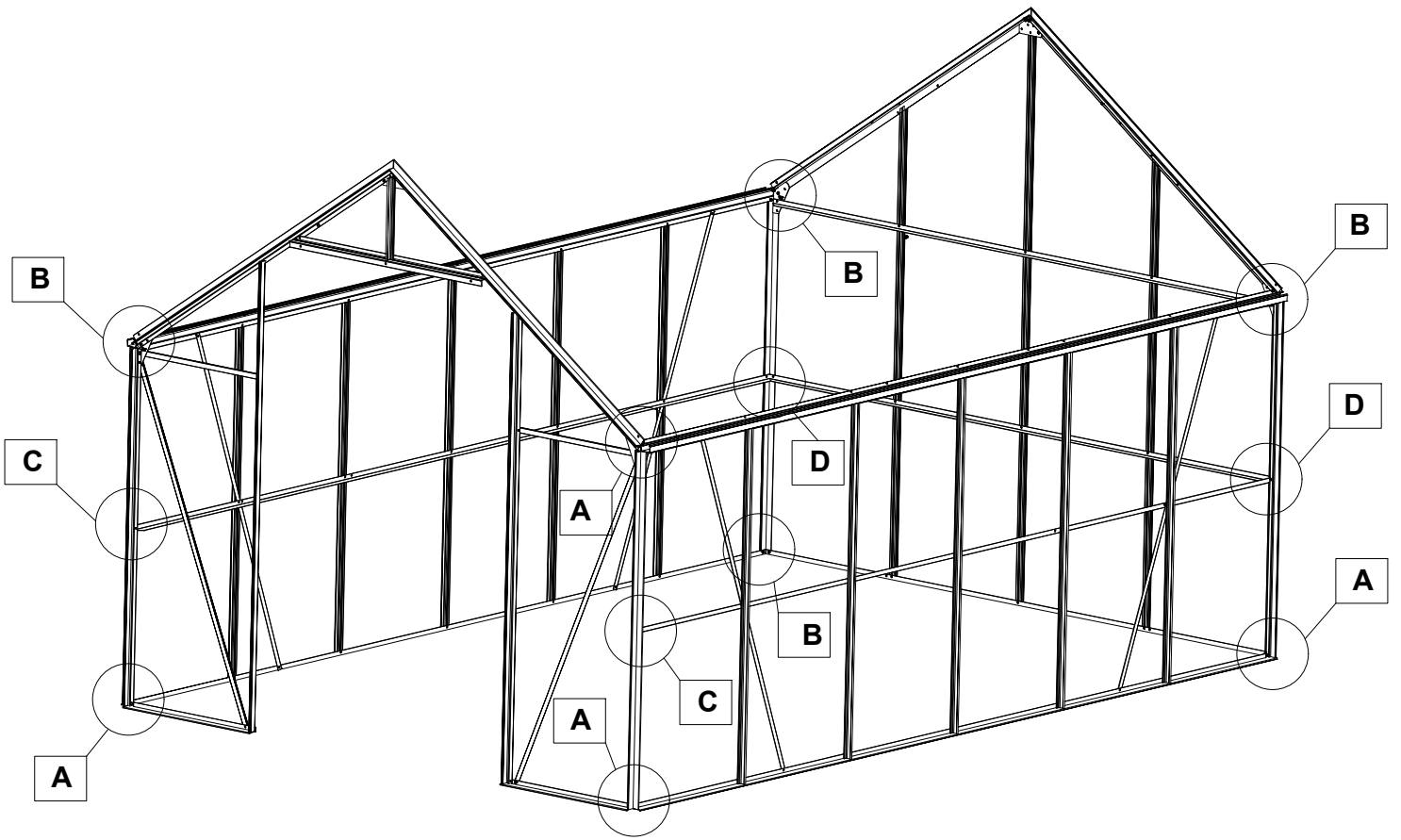
Back Frame Assembly

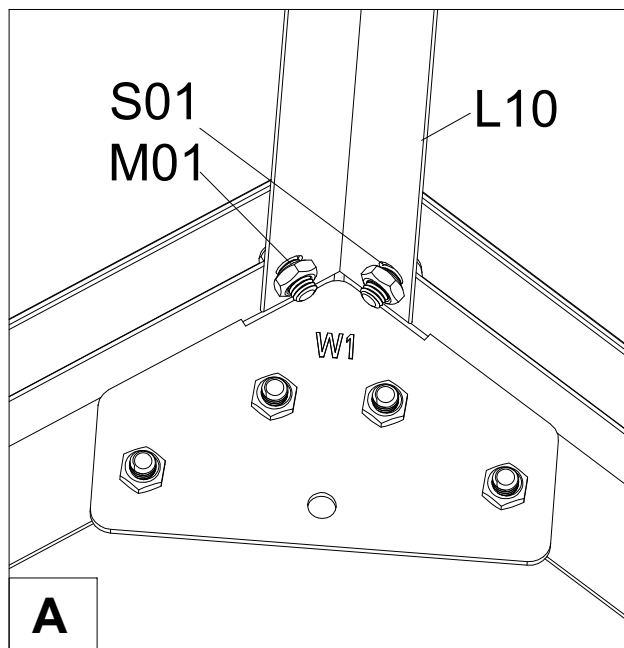
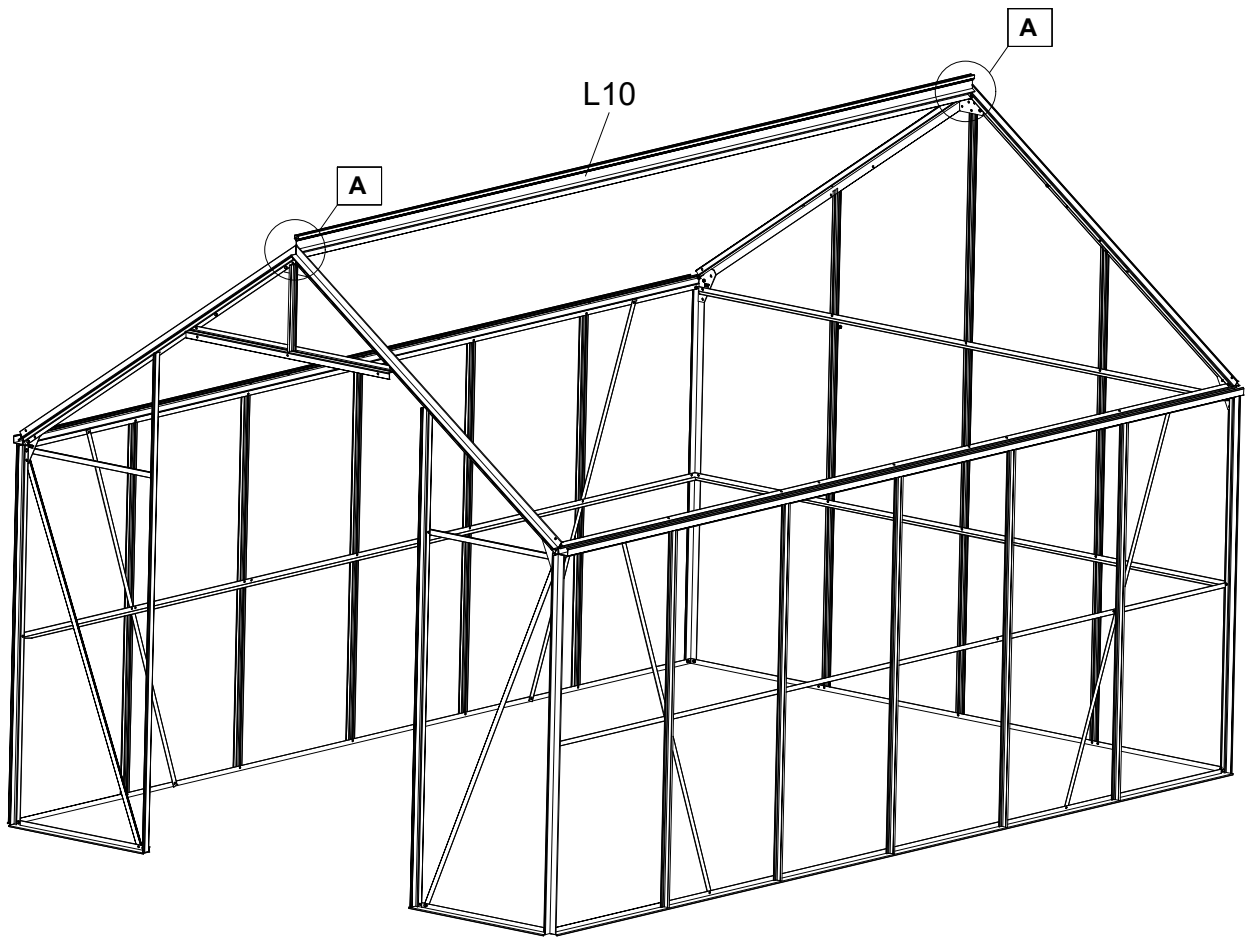


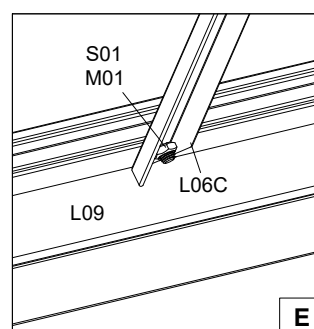
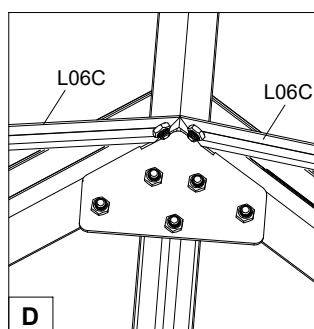
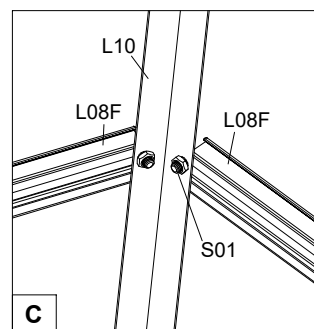
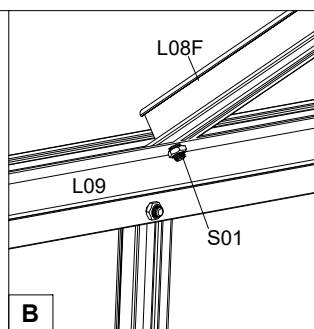
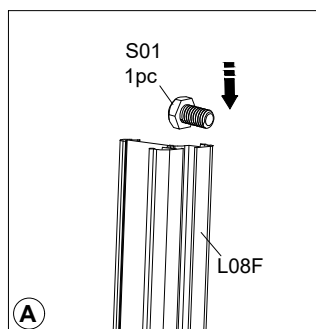
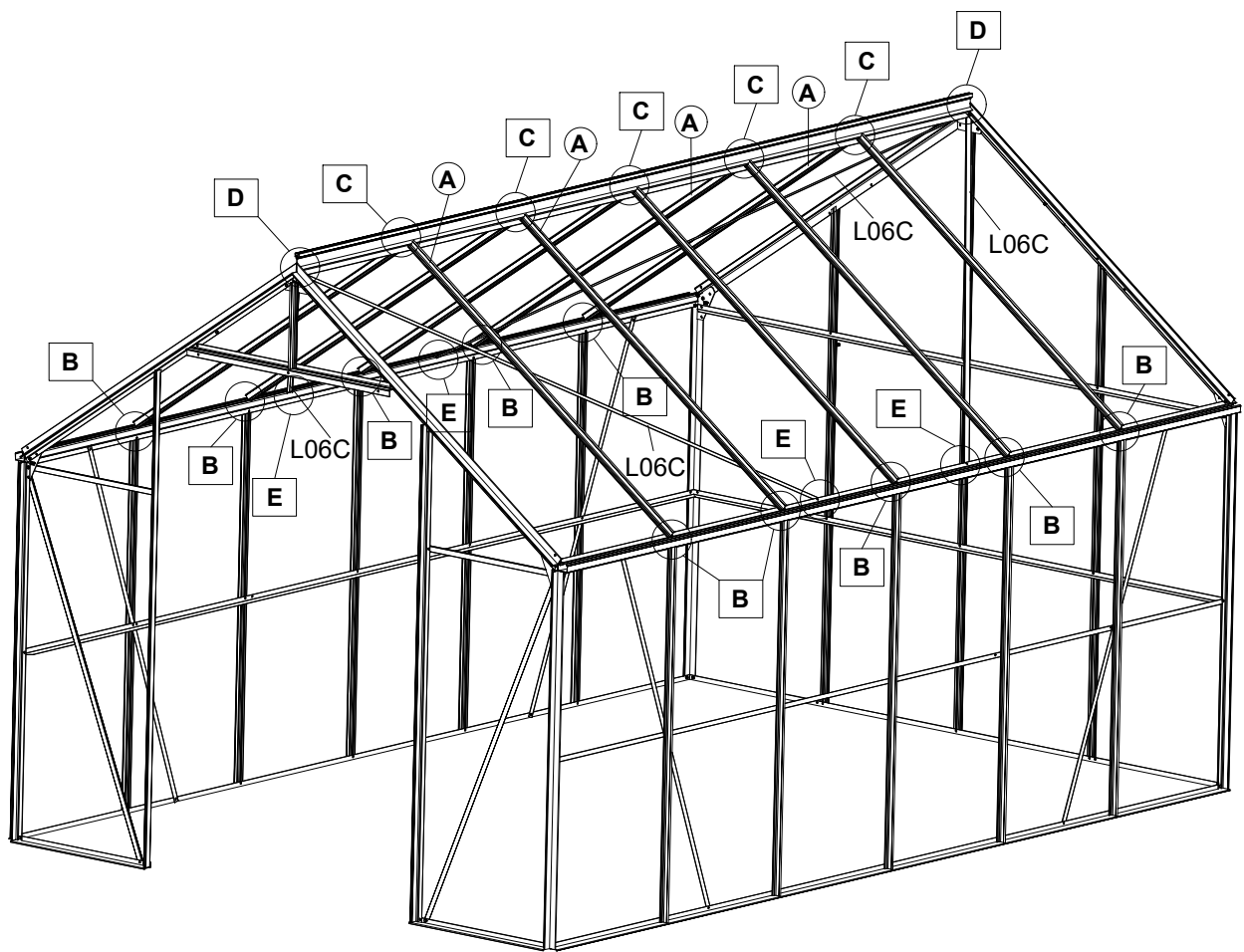
Side Frame Assembly

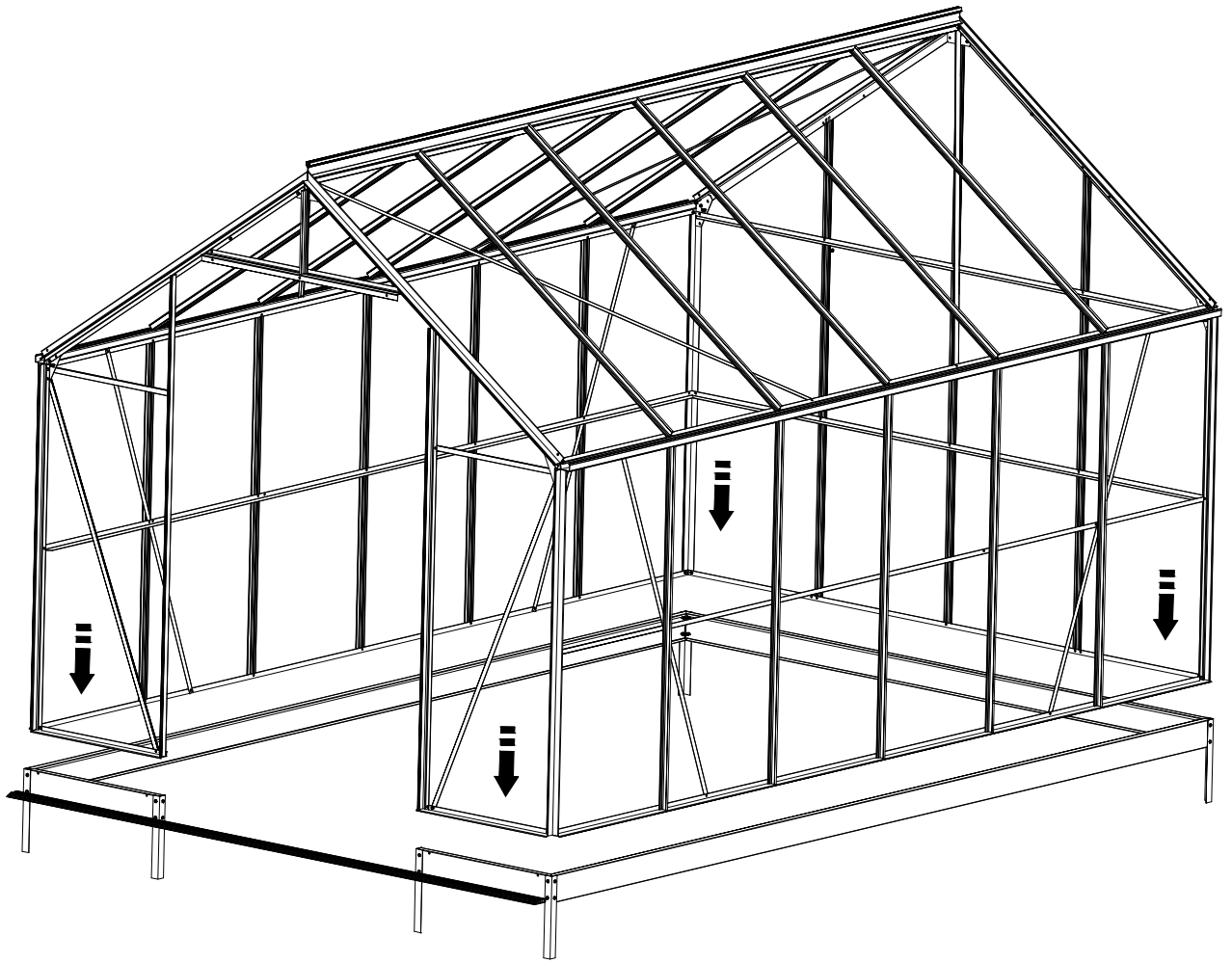


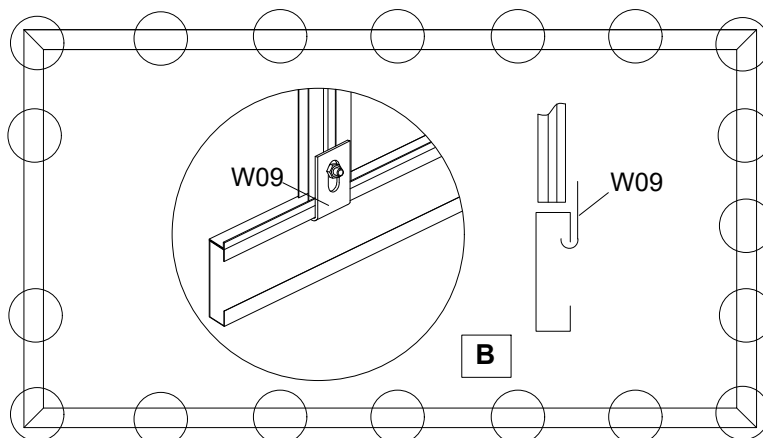
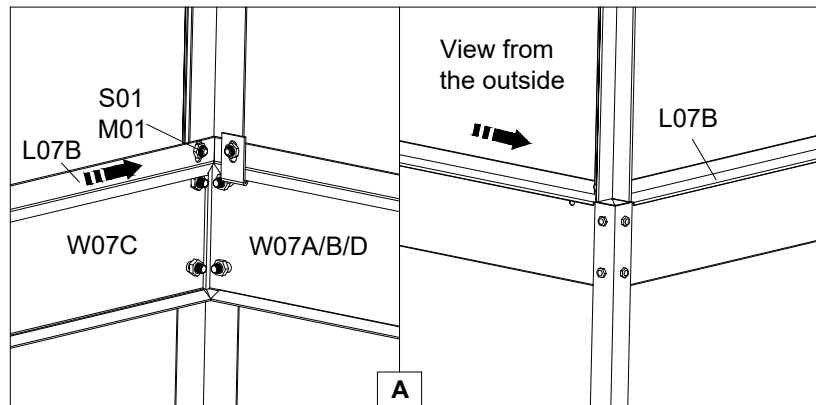
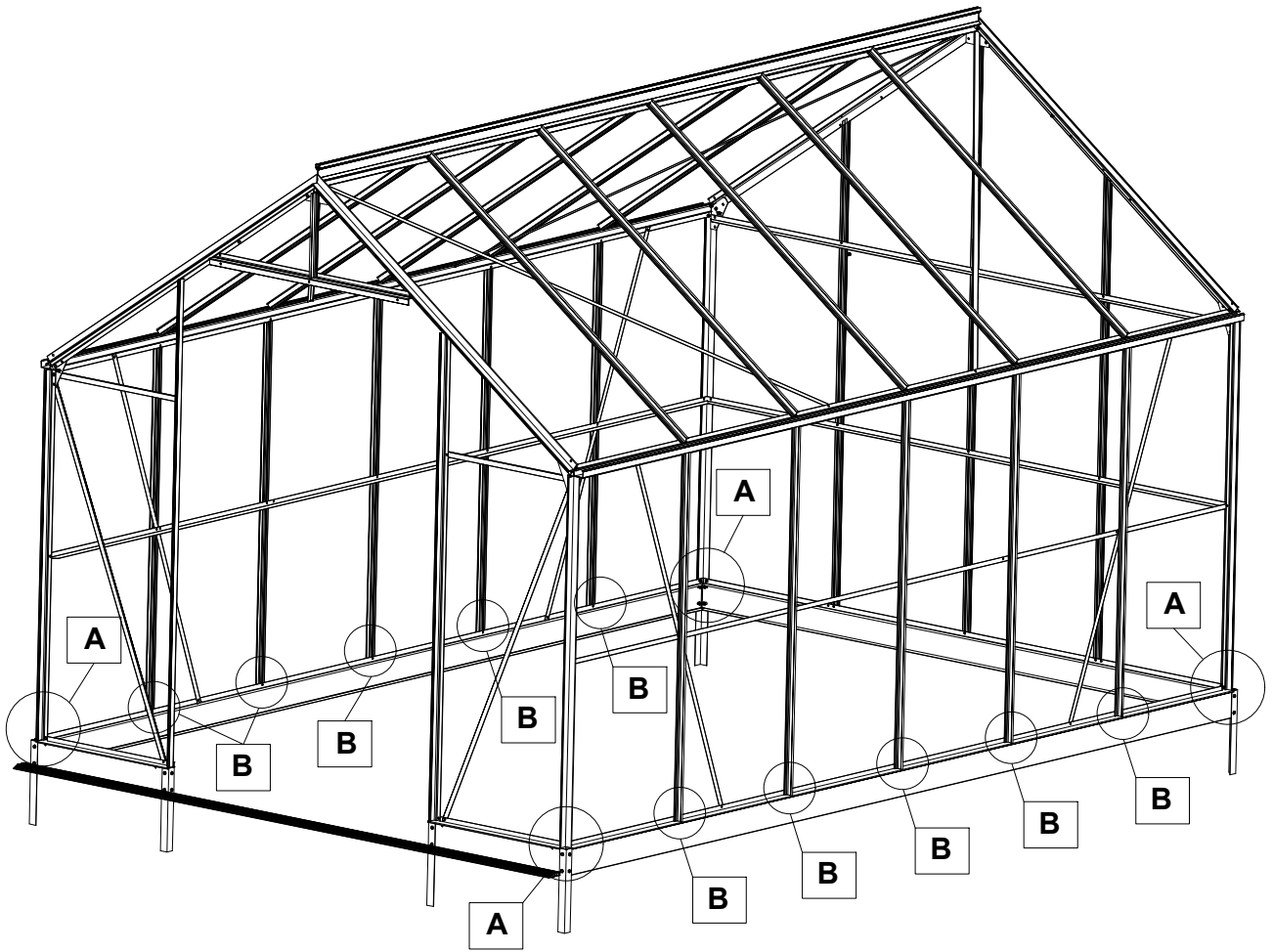




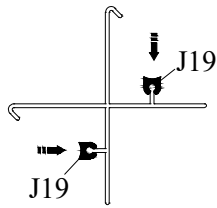




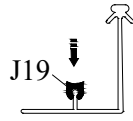




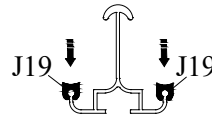
Installation of J19 rubber



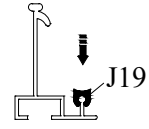
L01



L03

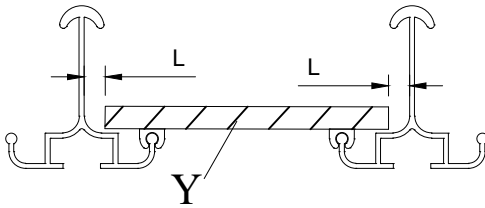
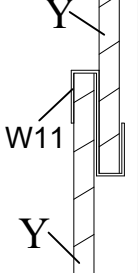
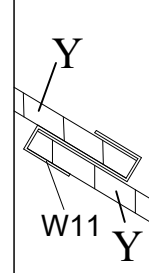
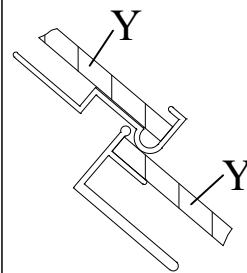
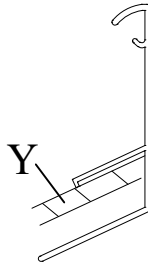
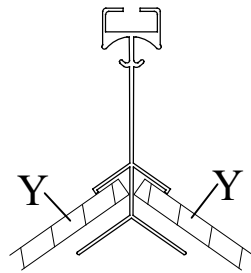
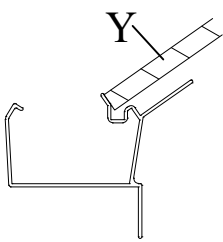


L08



L11

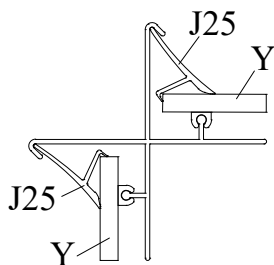
Glass assembly



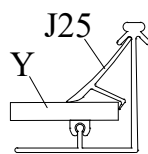
When installing the glass, pay attention to the same distance between the two ends of the glass and the aluminum profile

Be careful not to injure yourself when handing and adjusting the glasses

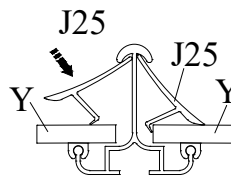
Rubber Assembly



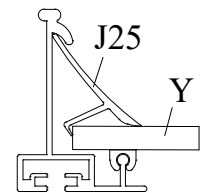
L01



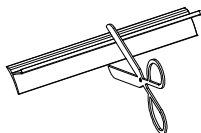
L03



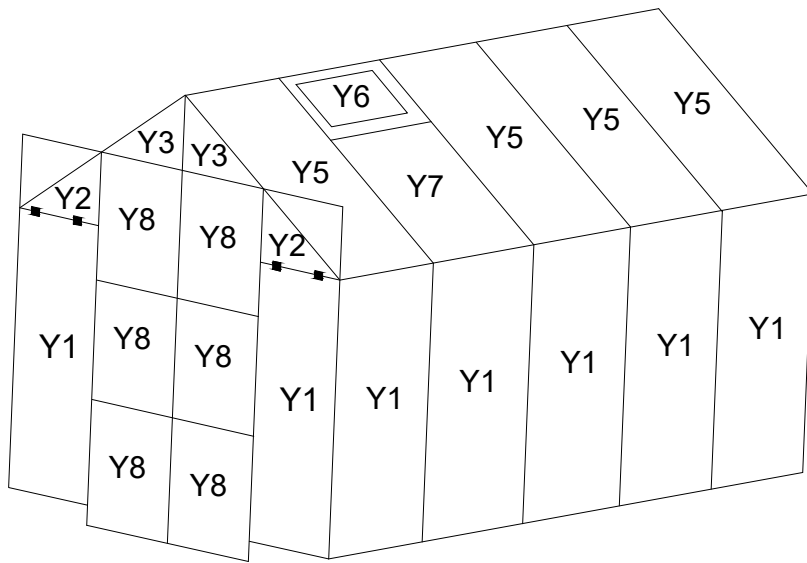
L08



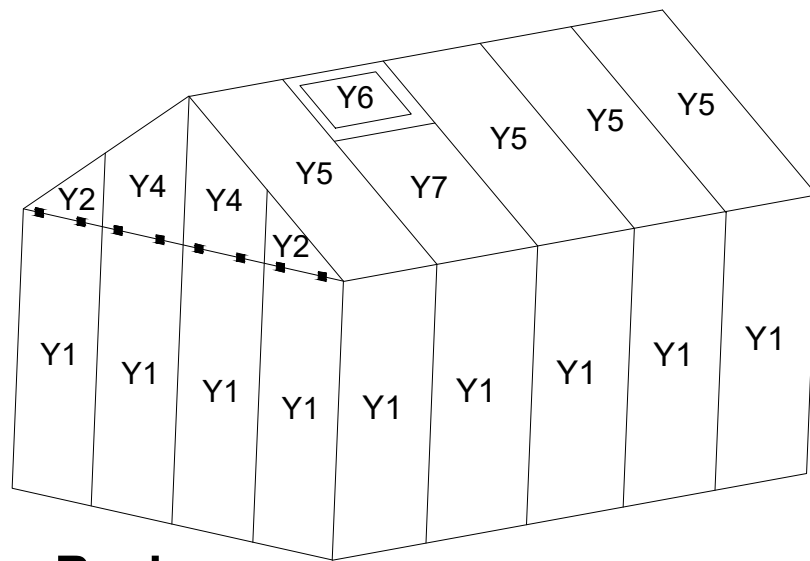
L11



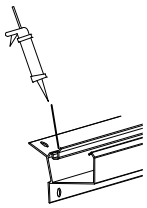
When finish the assemble of the rubber, cut off the extra rubber.



Front



Back



Use silicone in the gap of the aluminum to achieve better waterproof effect.

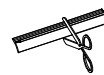


Hook W11 S

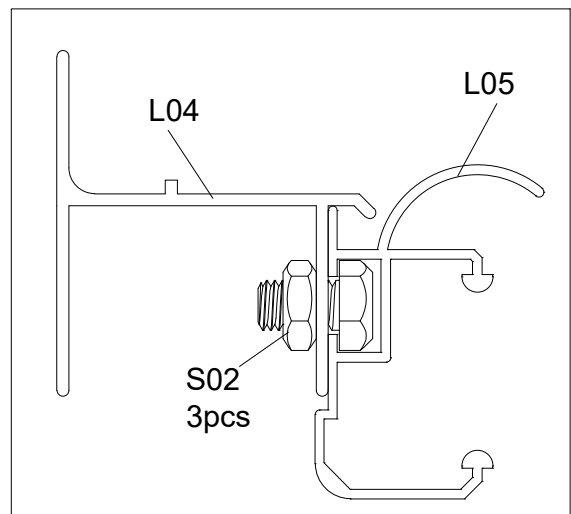
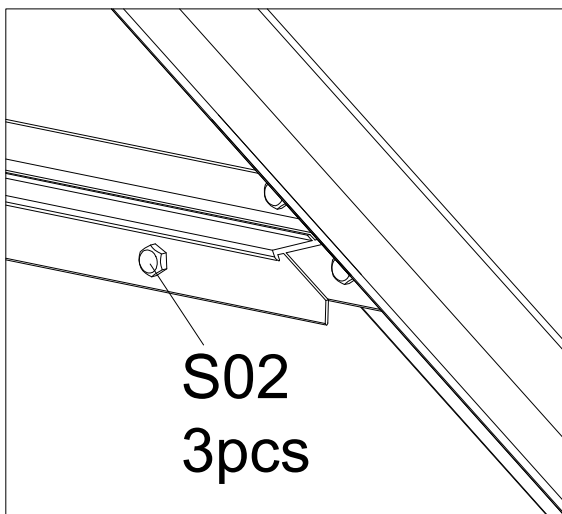
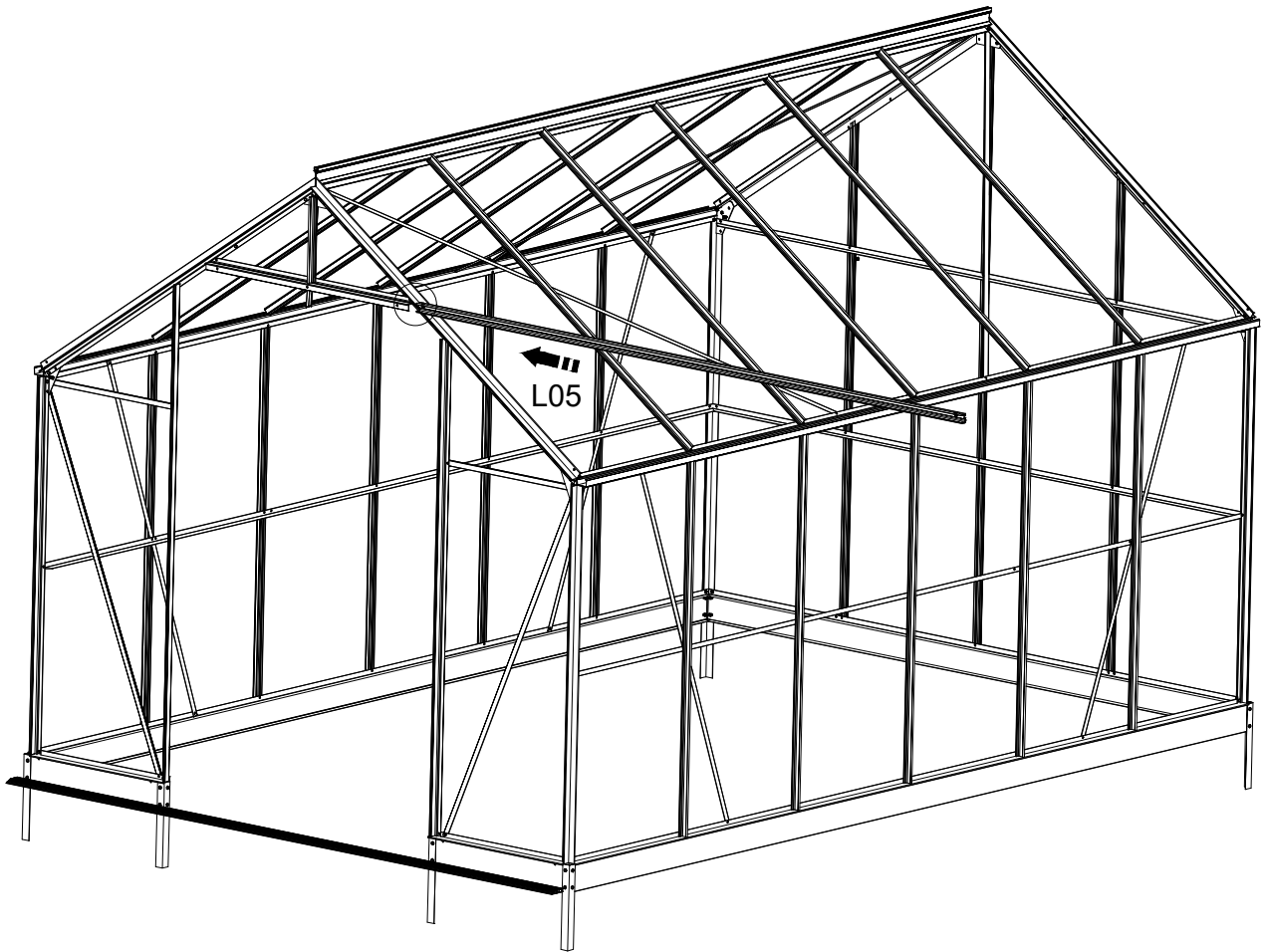
Parts	N°	mm	Qty
	Y5	587x1460	8
	Y6	582x496	2
	Y7	587x976	2
	Y8	589x560	6

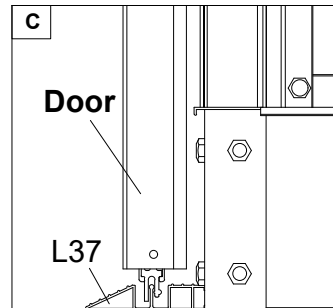
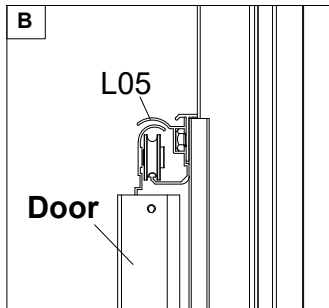
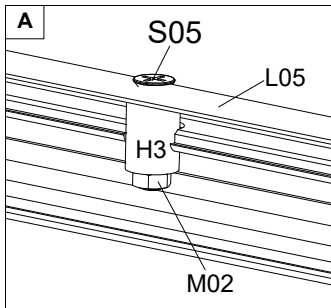
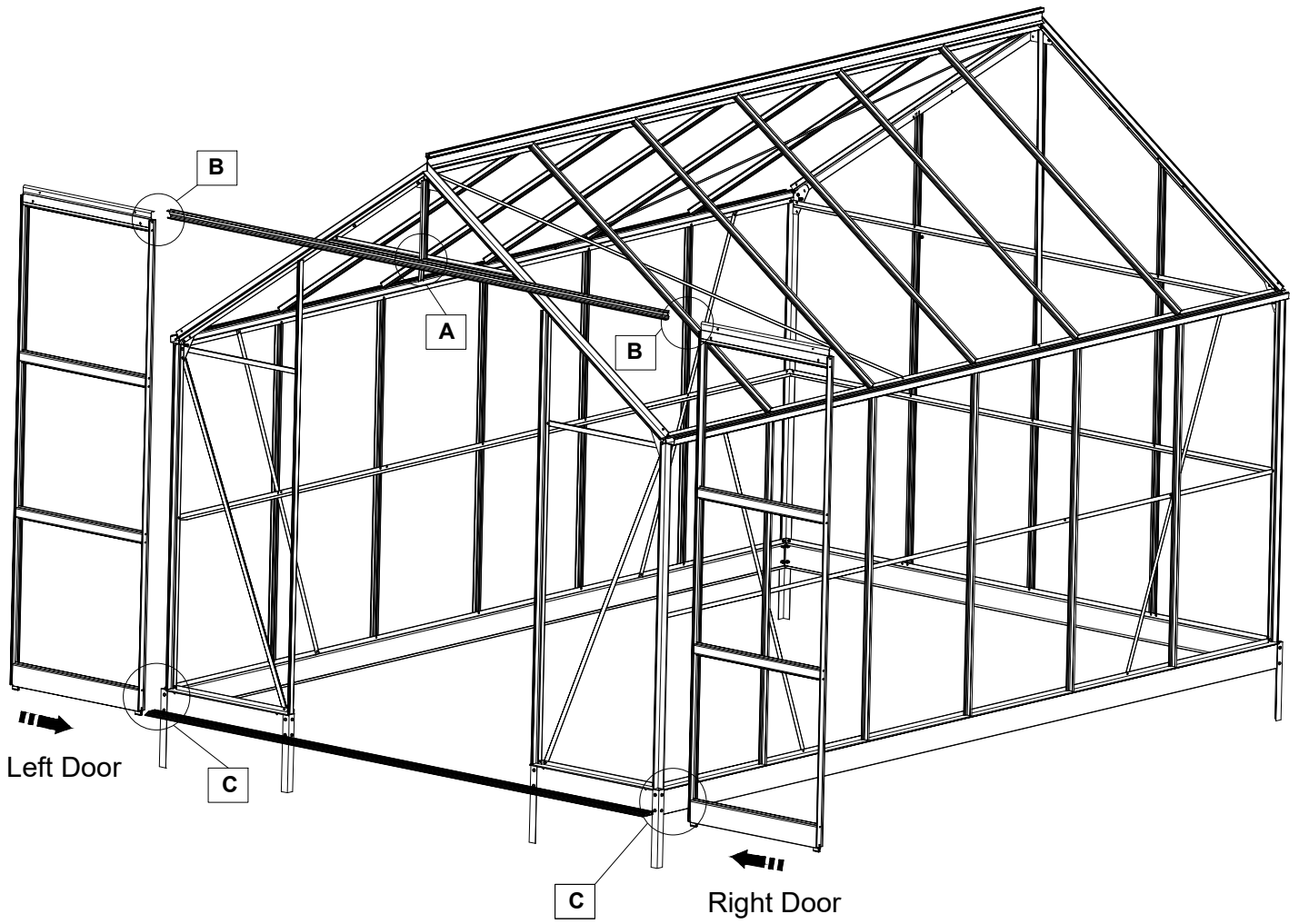
Parts	N°	mm	Qty
	Y1	587x1323	16
	Y2	587x451x40	4
	Y3	444x325x14	2
	Y4	587x870x458	2

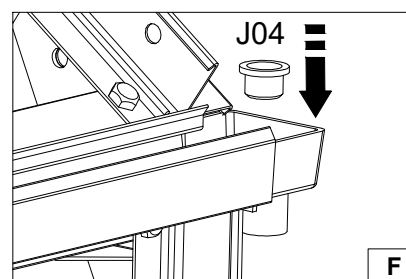
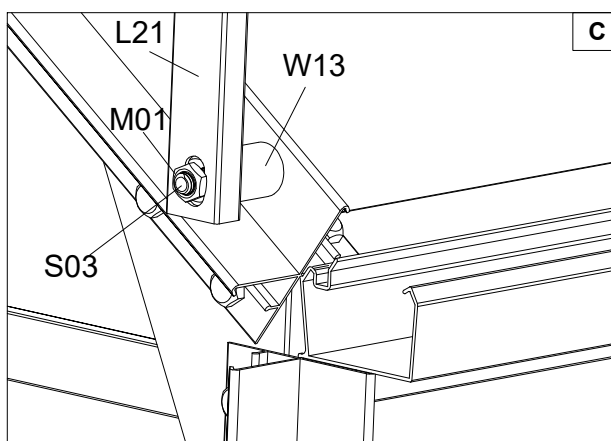
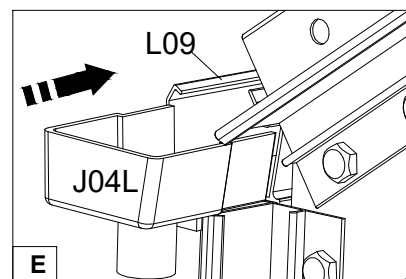
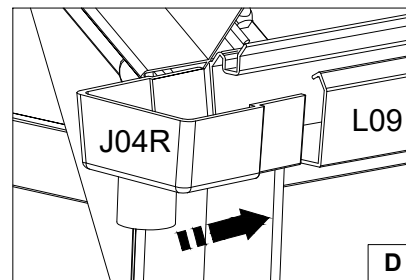
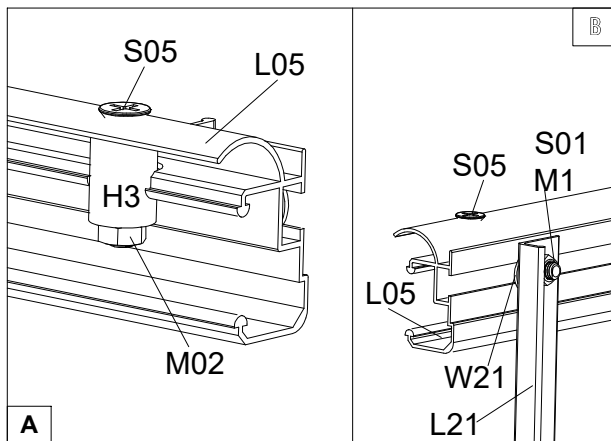
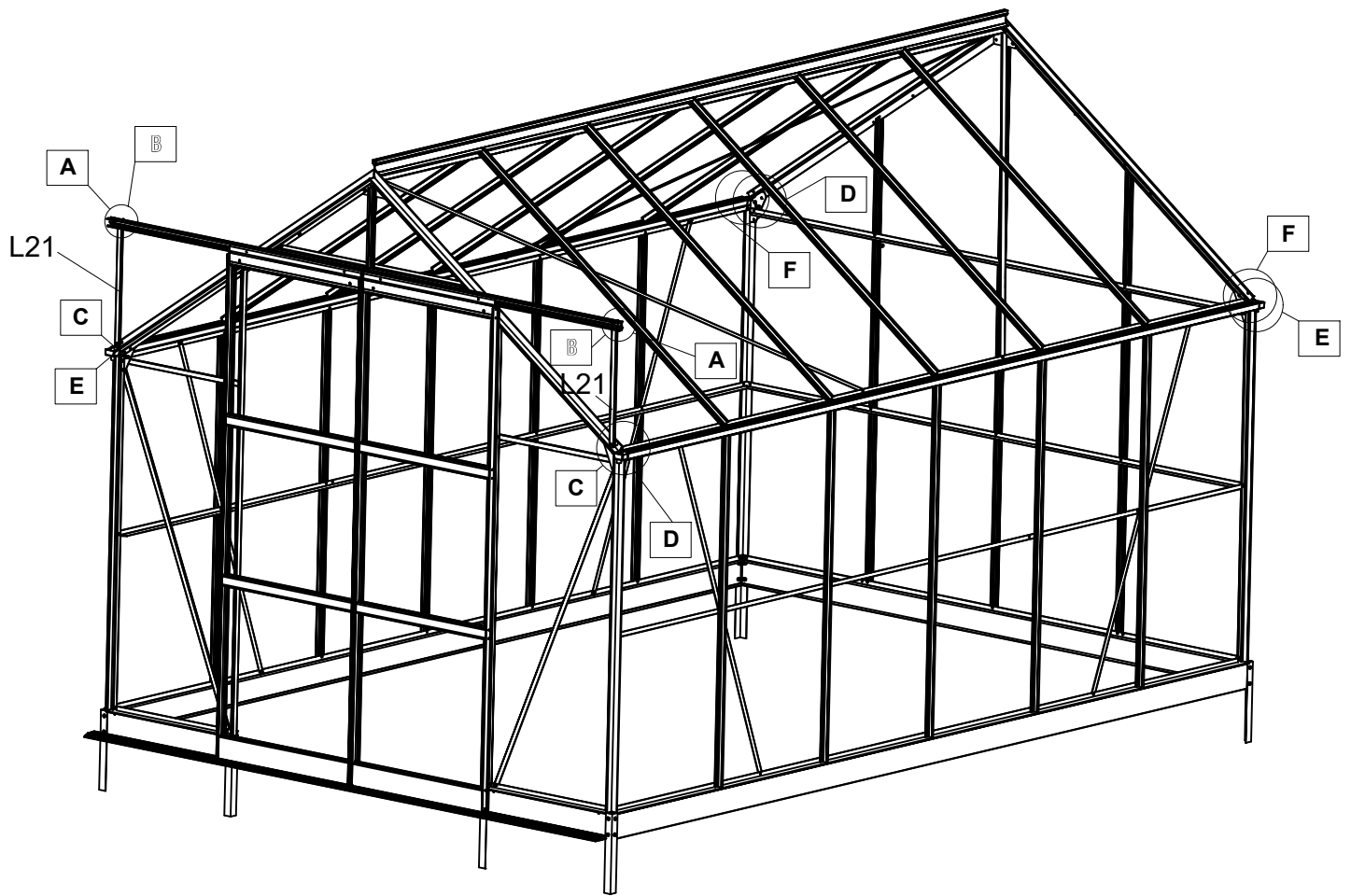
	J25	1325mm	⇒⇒	Y1
	J25	1473mm	⇒⇒	Y5

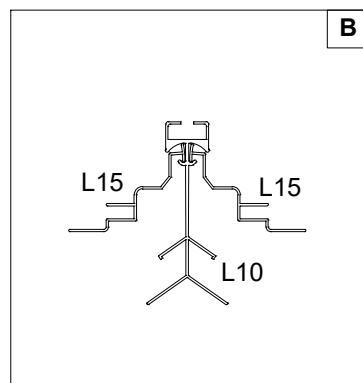
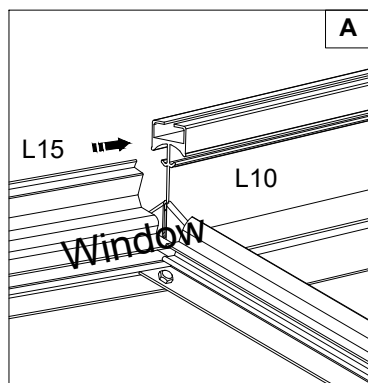
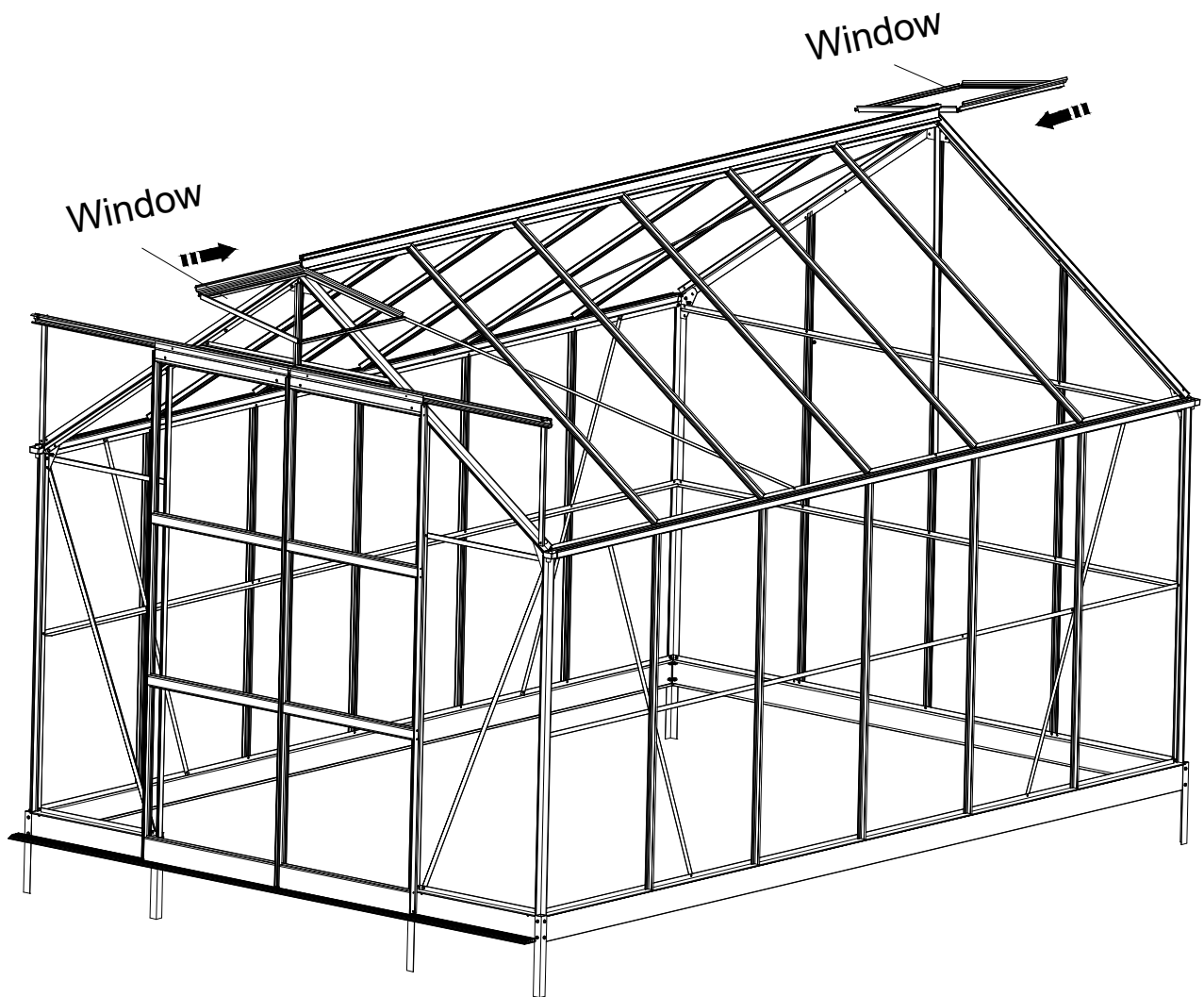


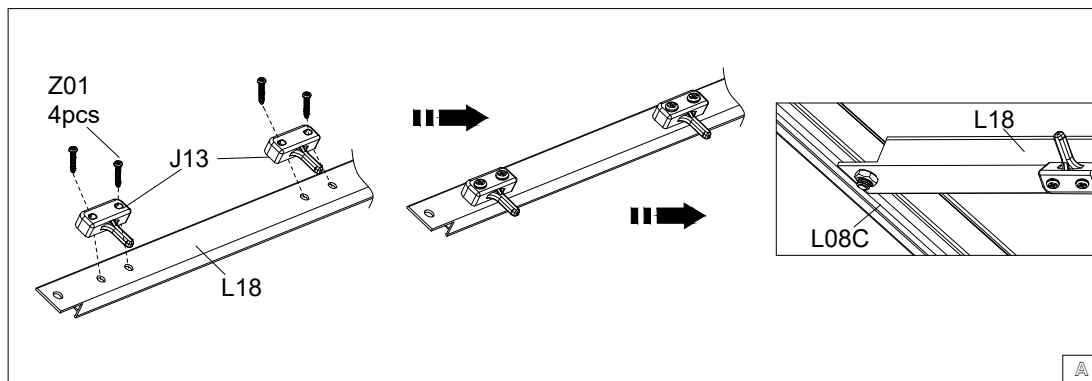
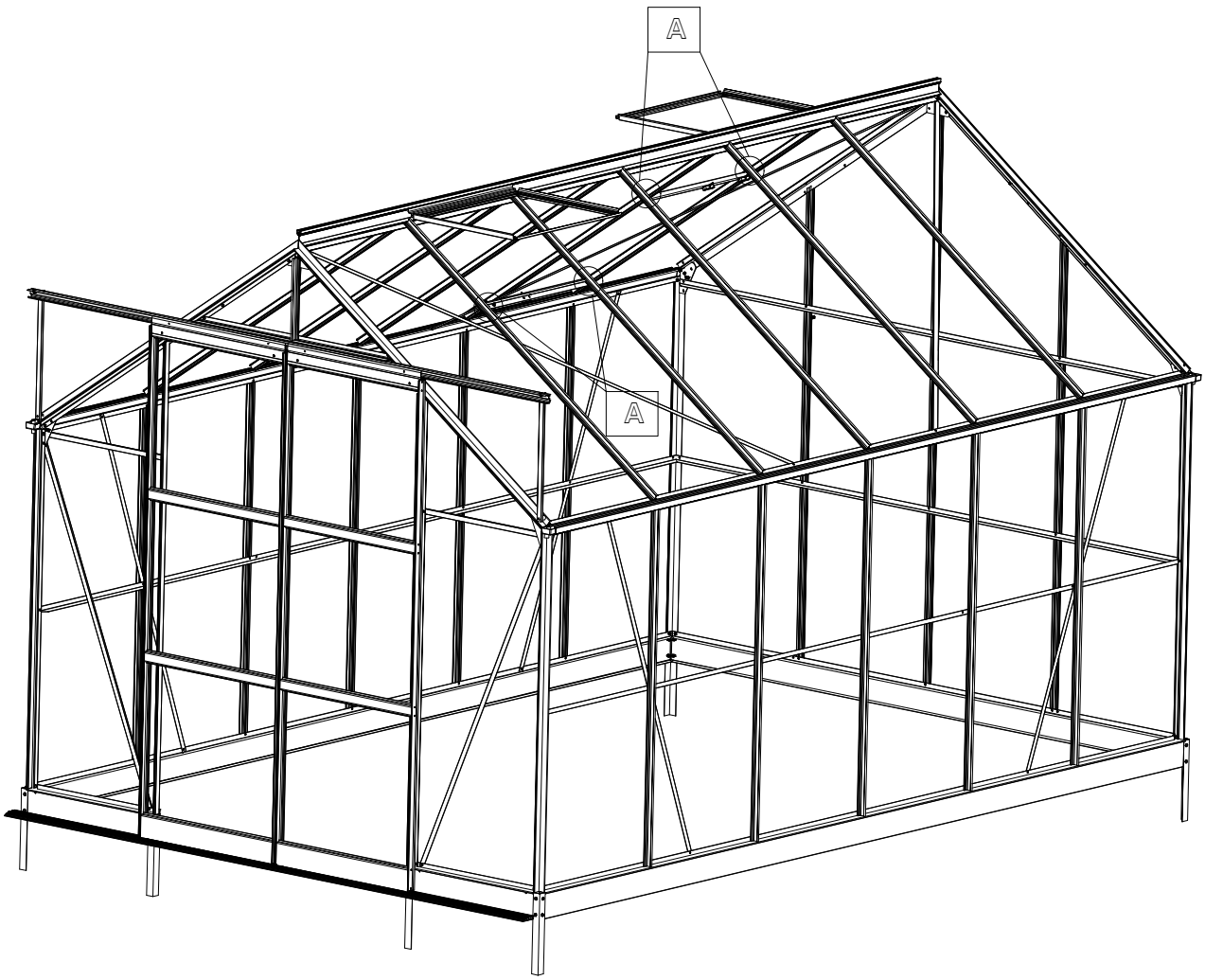
The rubber for other glass panels except Y1 and Y5 need to use 1/2 pcs of J25 cut and spliced together.

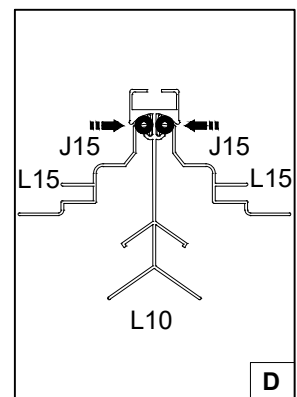
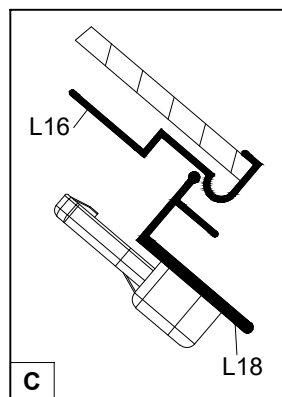
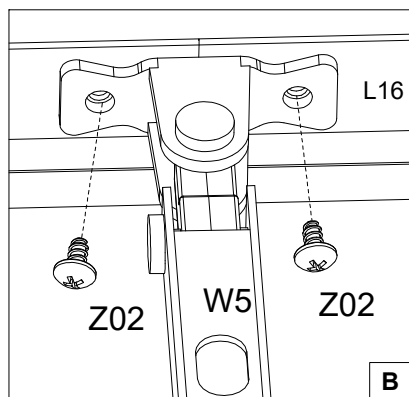
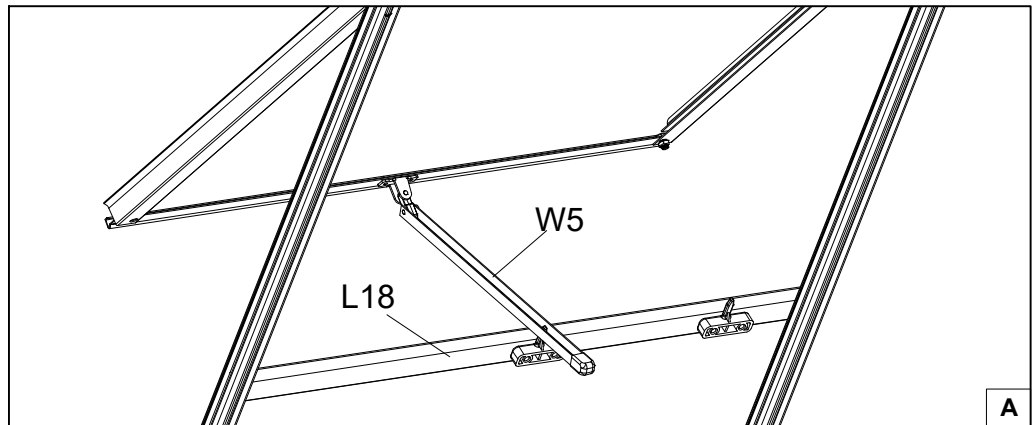
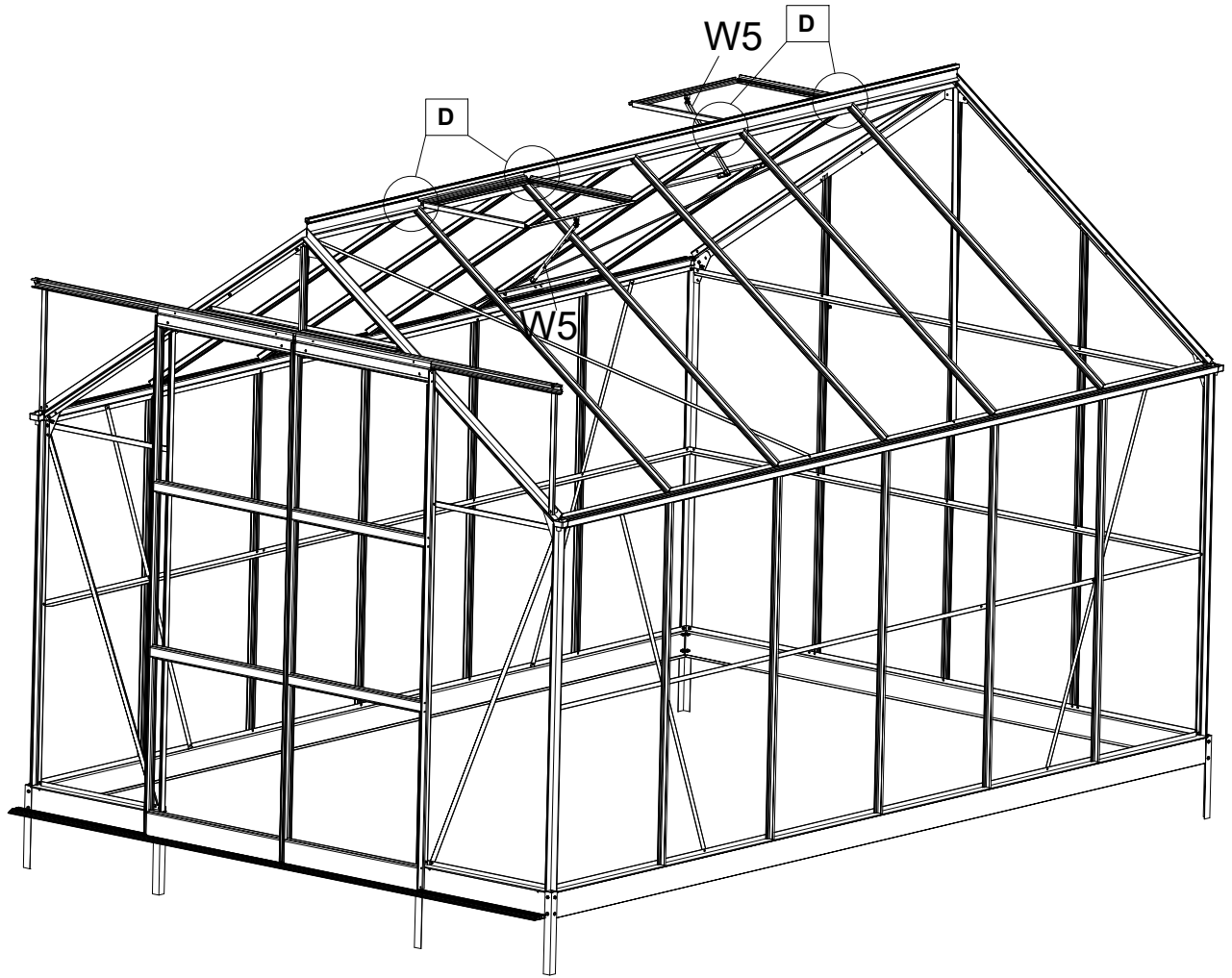




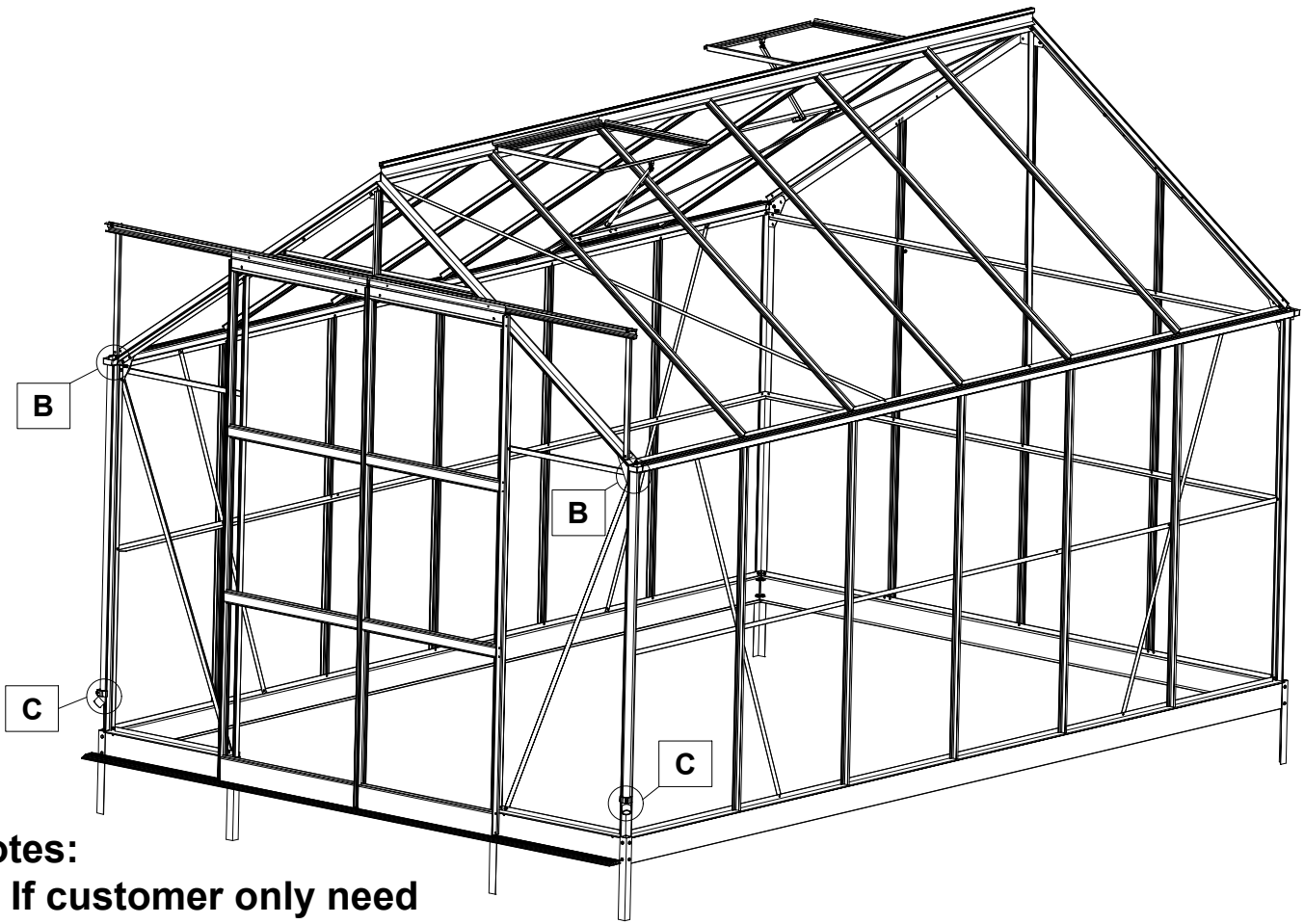












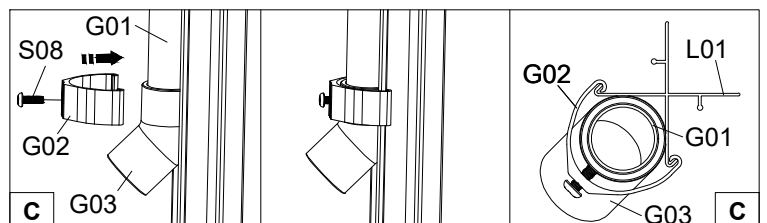
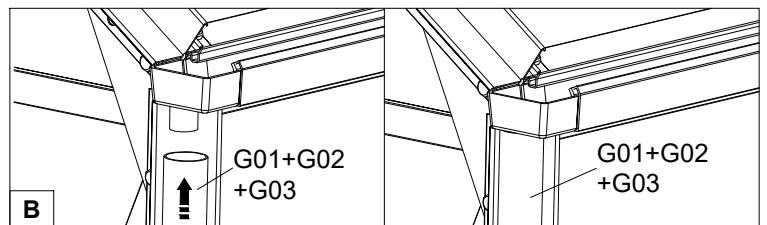
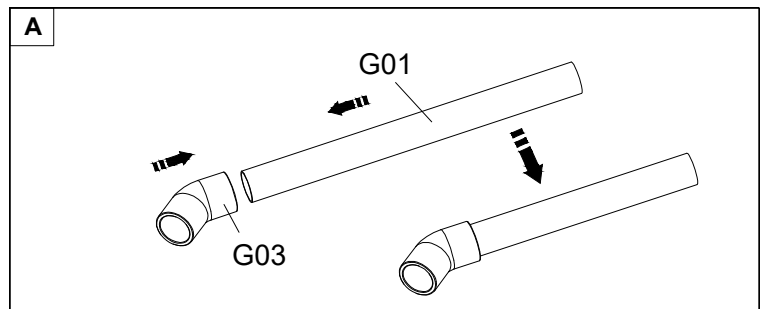
Downpipe Set Assembly Instruction



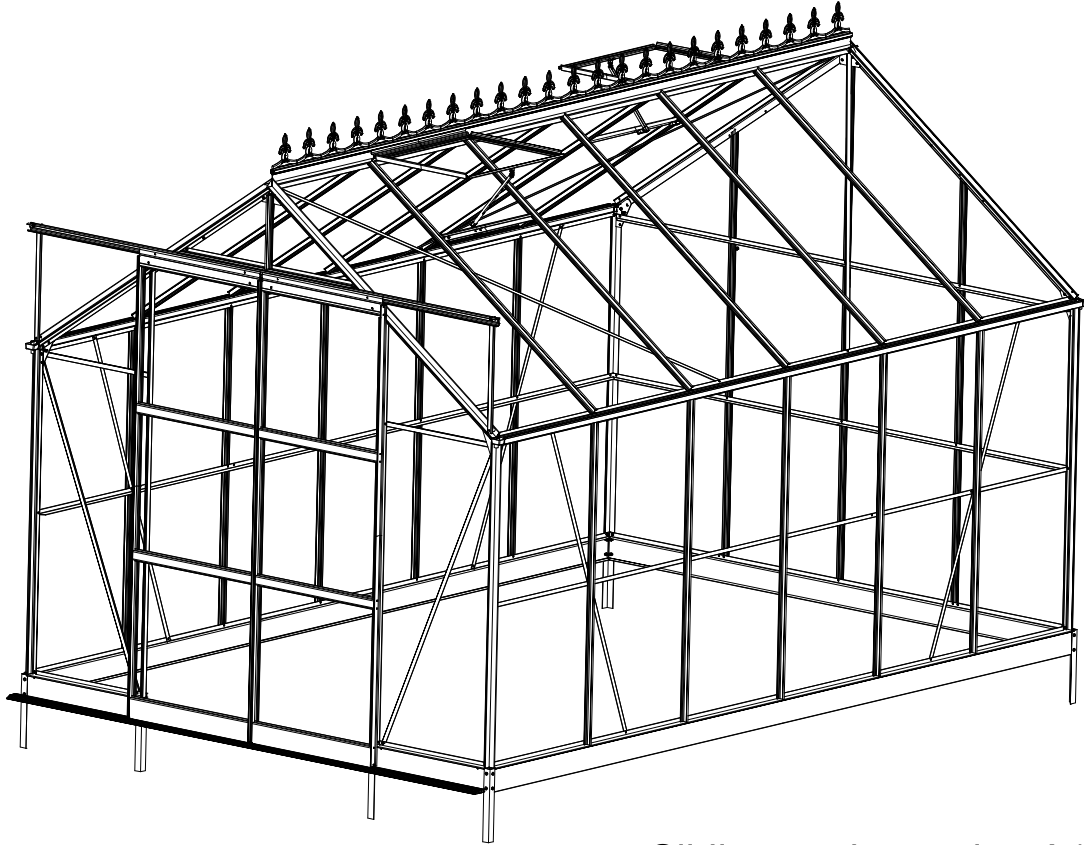
Notes:


1. If customer only need downpipes on front or back of the greenhouse, they can use J04 plug to stop gutter hole in the other end.
2. Customer can cut the pipes by themselves according to different greenhouse eave height.

PART	#	mm	Qty.
	G01	1200	2
	G02	44*33*20	2
	G03	1'	2
	S08	M4*12	2

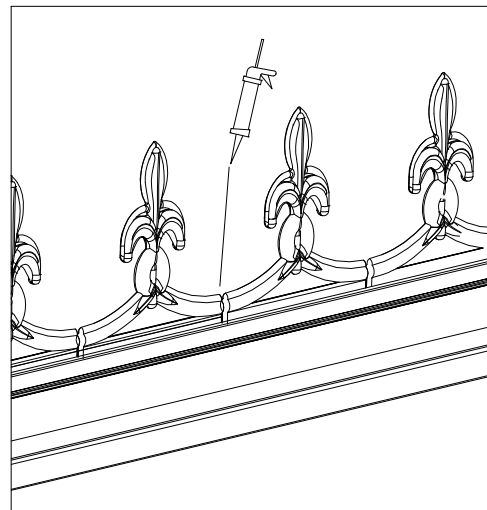
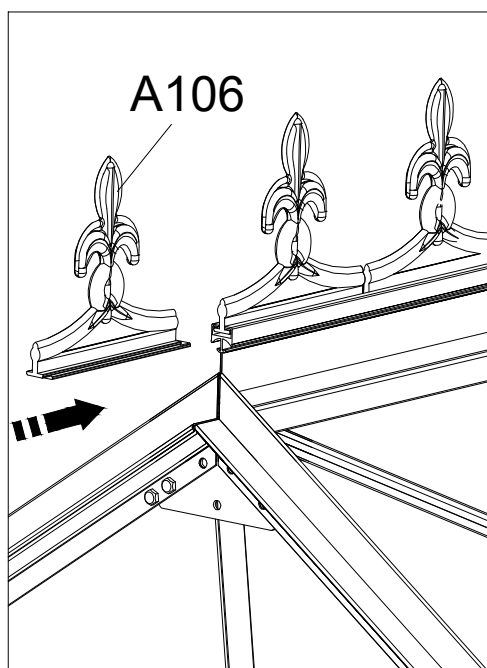


Cresting Assembly Instruction



PART	N°	Qty.
	A106	25

Sliding each cresting A106 into slot of ridge frame, please put silicon sealant on each of them to connect as a whole part.



Contact information

Austria



Belgium



Croatia



Denmark



Estonia



Finland



France



Germany



Ireland



Italy



Latvia



Lithuania



Nederland



Norway



Poland



Portugal



Spain



Sweden



Switzerland



UK

