

DANCOVER[®]

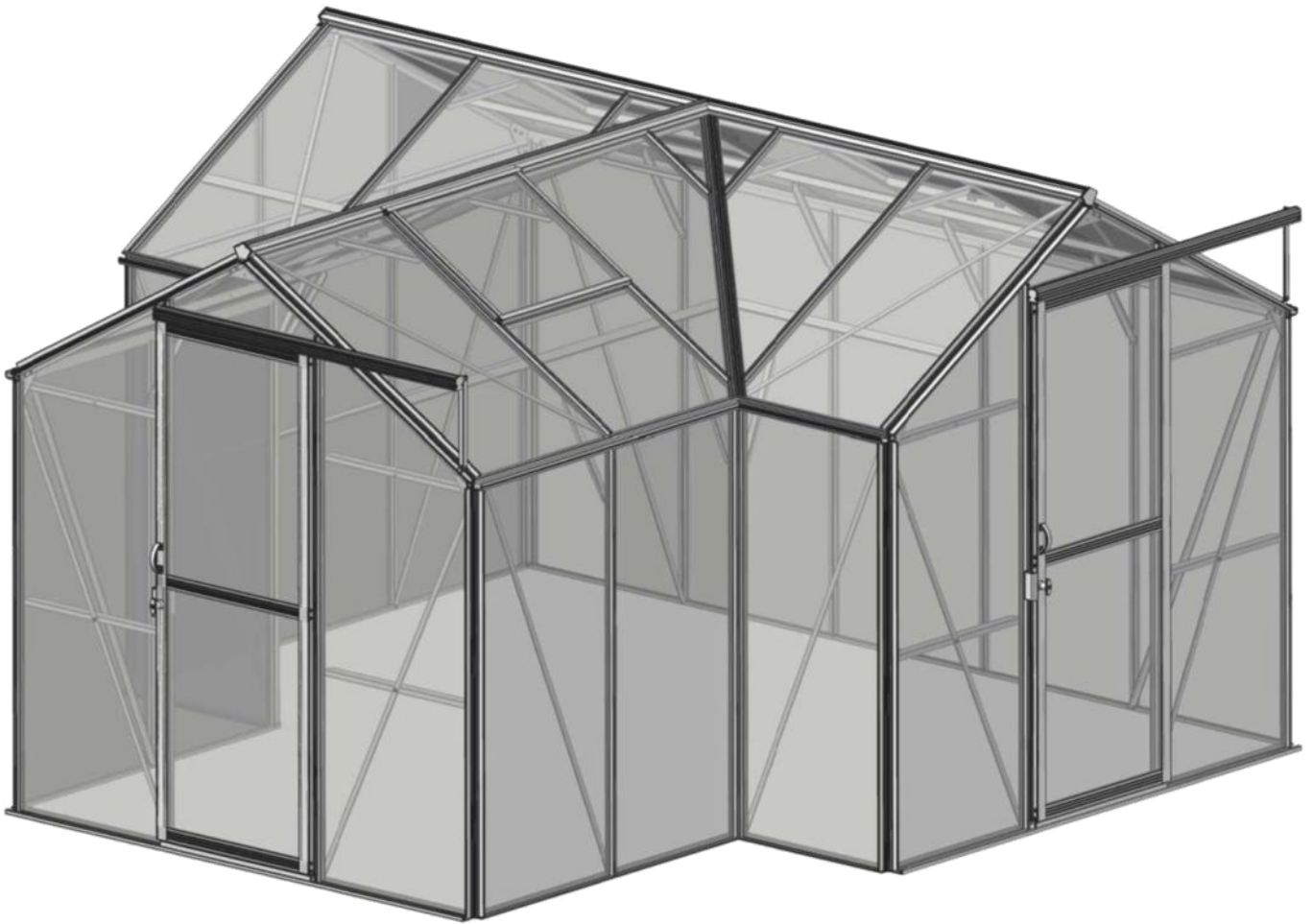
.com

Manual
for
Orangery
3,73x3,73x2,32m

Orangery

Assembly Instructions

— For Sliding Door



Walk-in Greenhouse

Statement

Dear Customer!

May we congratulate you on buying new Greenhouse.

We feel sure that by following the detailed assembly instructions, you will find as much pleasure in actually building the greenhouse as the many hours you will spend on your greenhouse in the future. The assembly instructions are a combination of text and illustrations and no technical knowledge is required for the erection of the greenhouse. The frames are numbered and packed separately corresponding to the succession in the assembly instructions

Assemble one section at a time. However, bolts and various fittings for all sections will be found in pack of instructions.

Each pack is specified in the list of components. All detailed illustrations are marked with a symbol.

Guarantee

We grant a comprehensive guarantee that covers replacement or repairs of defective parts due to material or manufacturing fault. The guarantee does not cover transport, assembly, freight etc. Glass is not covered by the guarantee. The guarantee is invalid if the greenhouse is not assembled according to these instructions.

Winter Protection

Our greenhouse is constructed with frame dimensions up to 50% stronger than most of the competing products. We still recommend you to protect your greenhouse during the winter.

- Supporting the roof ridge at the centre of the greenhouse.
- Removing greater snow loads.
- Taking precautions against snow falling down from, for instance a roof.
- Preventing the wind from damage the greenhouse door and windows.

Foundation

The base is maintenance free and, of course, all fittings are included. Remember to order concrete pipes and concrete at you local dealer, as these are not included in the delivery.

Maintenance

- Grease doors, hinges and door track
- Clean the gutter for leaves etc
- Adjustment of windows
- Replacement of broken glass
- Clean the greenhouse with disinfectant before and after the growing season

Complaints

We put severe demands on quality to secure that you get faultless products.

However, should a complaint occur, we kindly ask you to contact the dealer, from whom you have bought the greenhouse, To secure a quick service you should specify the extent of the defect by means of the list components in the assembly instructions.

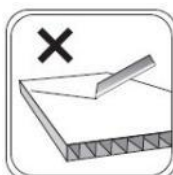
Cautions



Please put on gloves avoid of slitting your hands.



Avoid of crashing the material, results in un-shapes, it is not fits in fixture.



Avoid of materials cuts the polycarbonates sheets.

Tips

- The base has to be fastened in a non-freezing depth <80cm>.
- The greenhouse is to be fastened to the base.
- The base has to be 100% level and square. The easiest way to ensure this is that the two diagonal measurements are identical.
- We recommend greasing the screws for the doors for an easier assembly.
- Glazing should only be carried out in fairly calm weather.
- Make sure that the greenhouse is square before starting to glaze.
- We recommend the frames to be degreased with acetone before glazing.
- We recommend using working gloves while glazing.
- An assistant make the job easier.

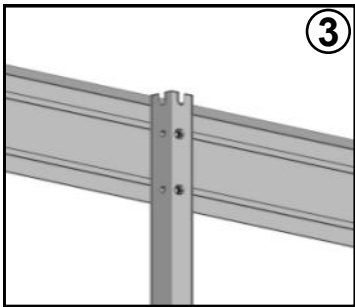
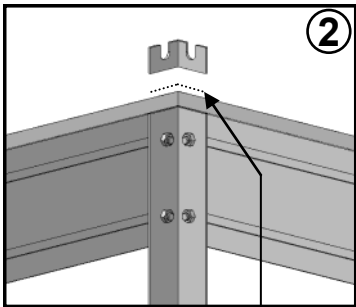
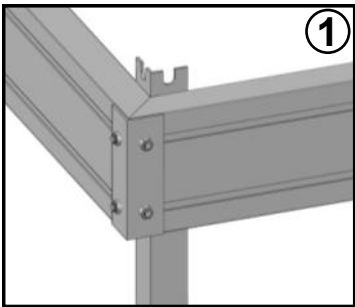
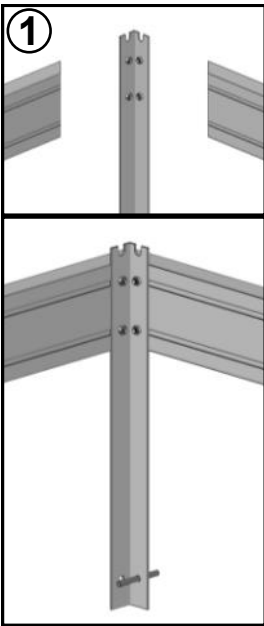
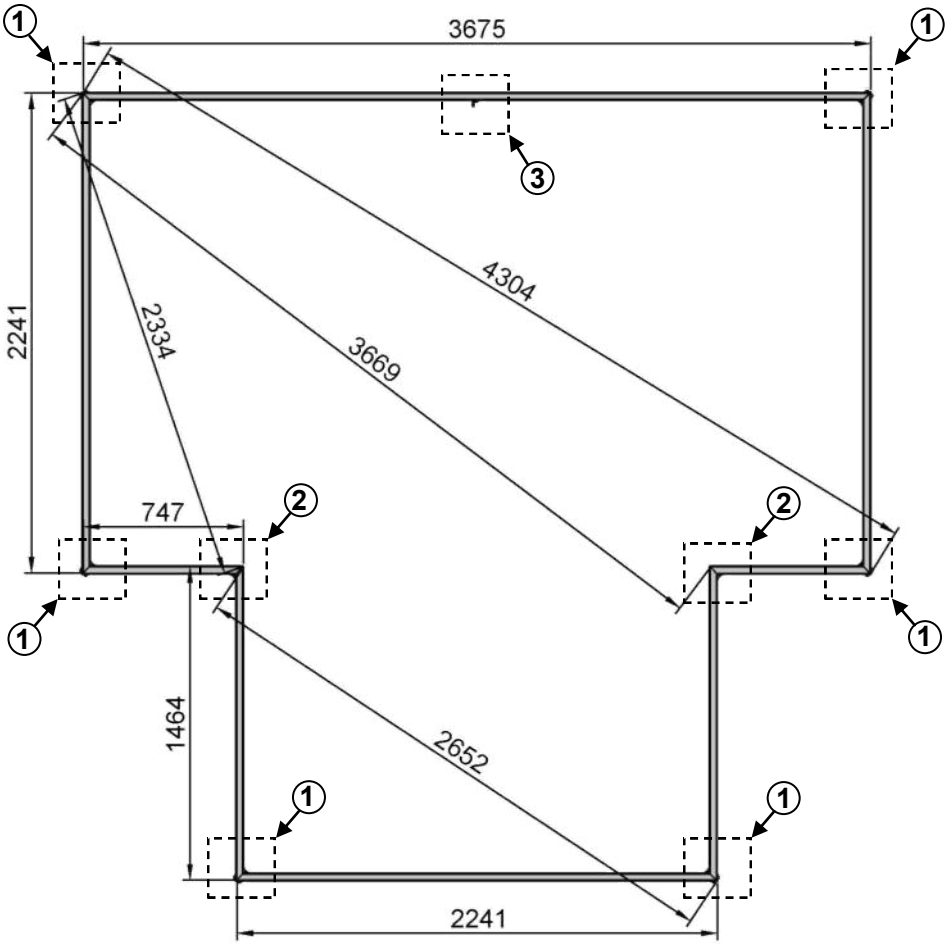
Tools

The greenhouse is assembled by means of the following tools:

- Spirit level
- Spanner/socket spanner 8 and 10 mm
- Screw driver
- Silicone pistol
- Acetone for degreasing the frames

Base

	Base	Base	Base	Base	Anchor legs	Corner-ite	Fixing tabs	M6x10	M6	M6x10 Crop	Washer
GTA7	1x3675	3x2241	2x747	2x1464	9	6	16	58	74	16	13

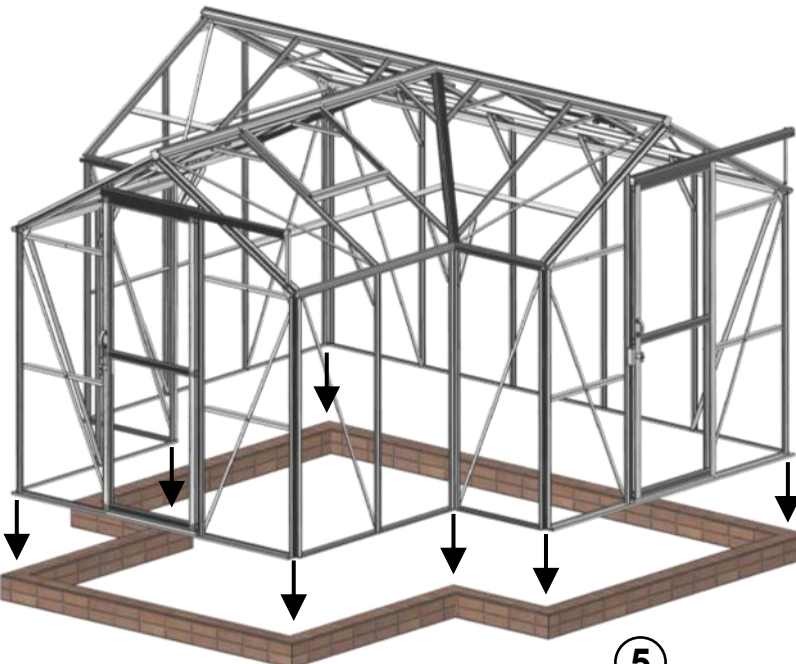
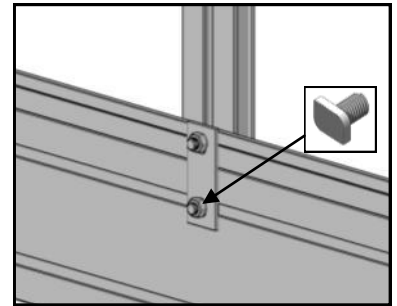
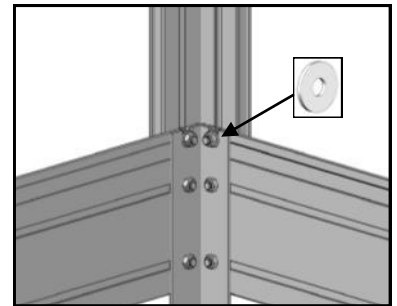
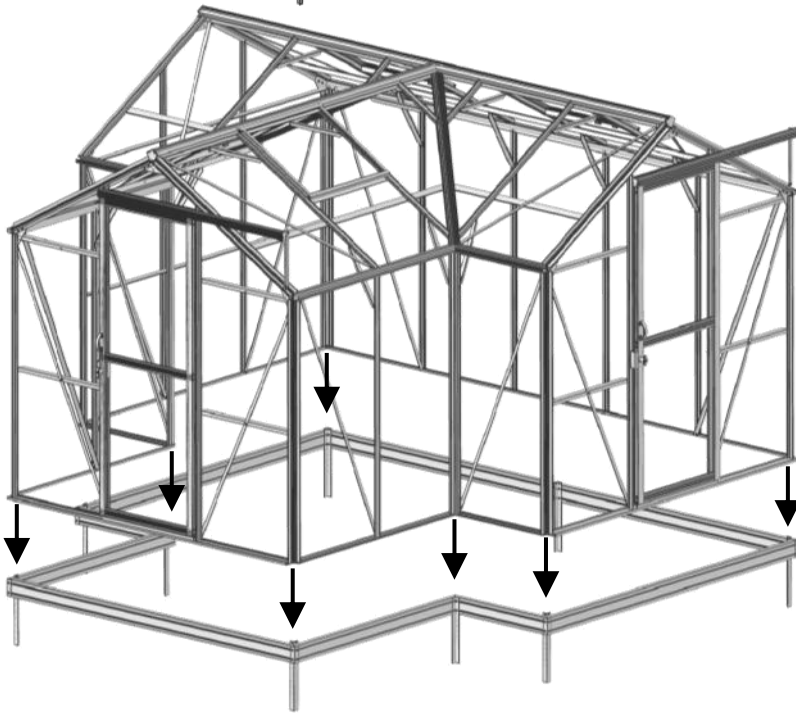
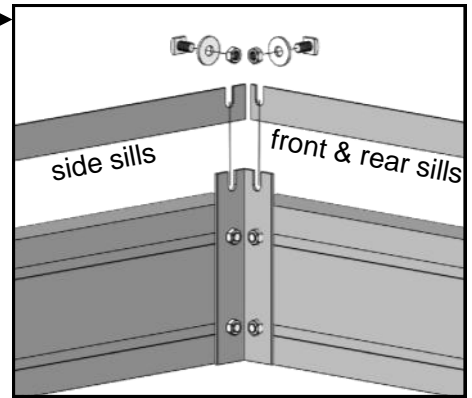
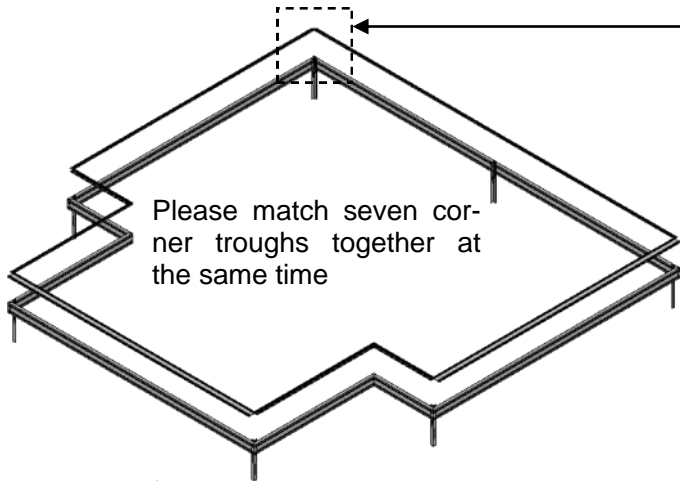


only cut in image 2

4

Base

IMPORTANT Before assembling aluminium base, the end trough centers of seven legs should match both end trough centers of side sills and front & rear sills at the same time.

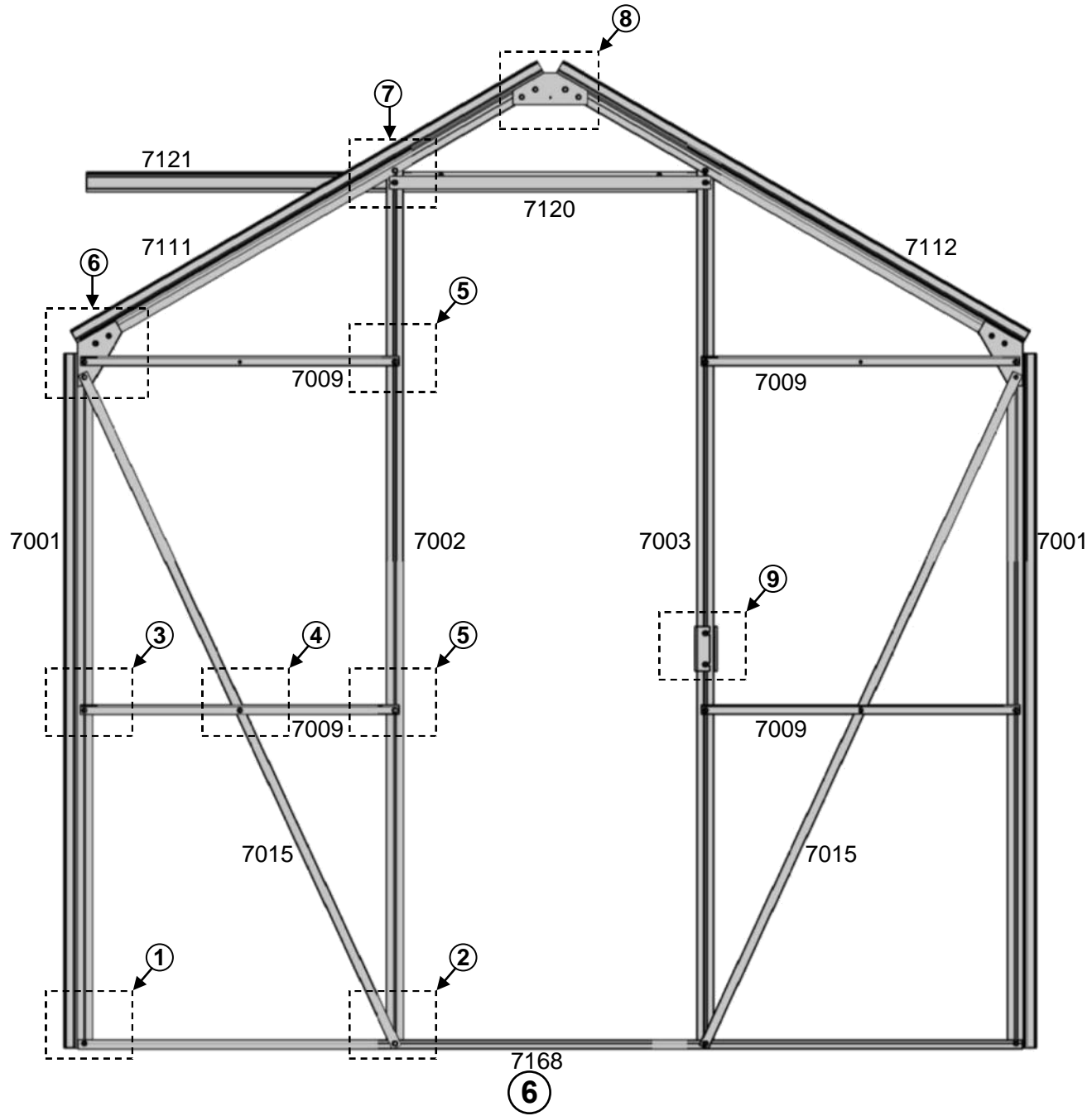


#	m5
GTA7	20

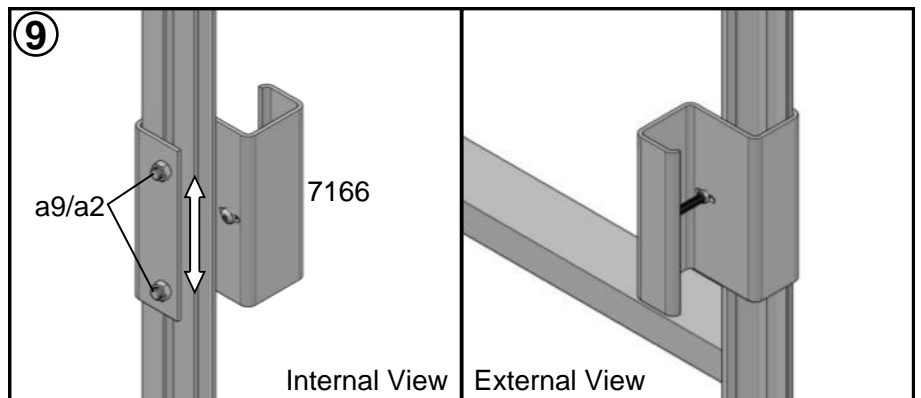
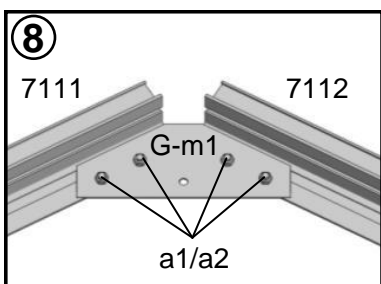
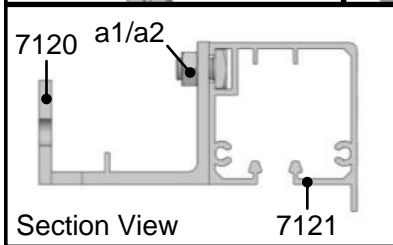
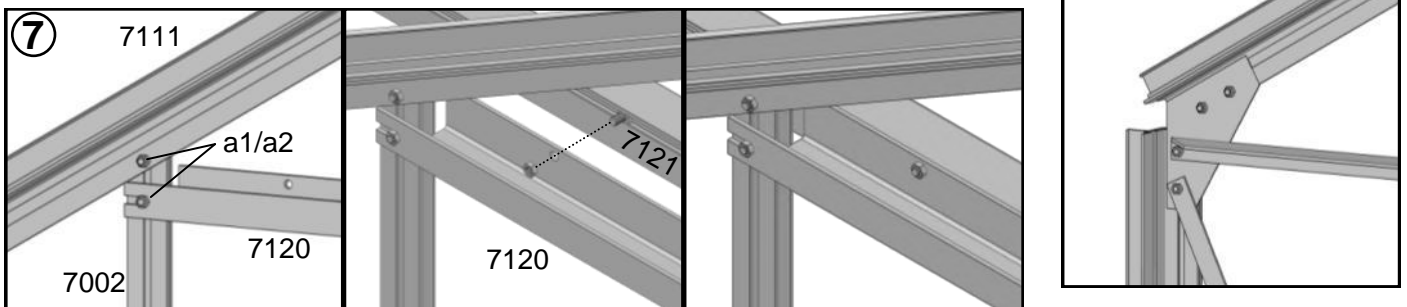
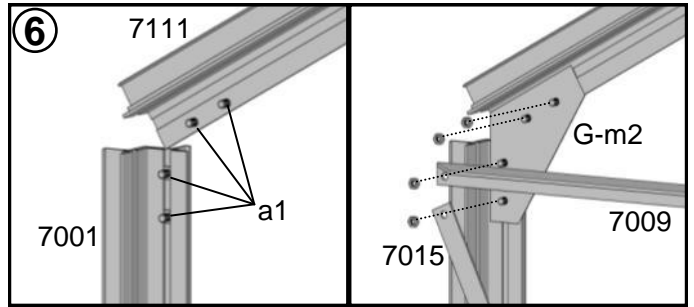
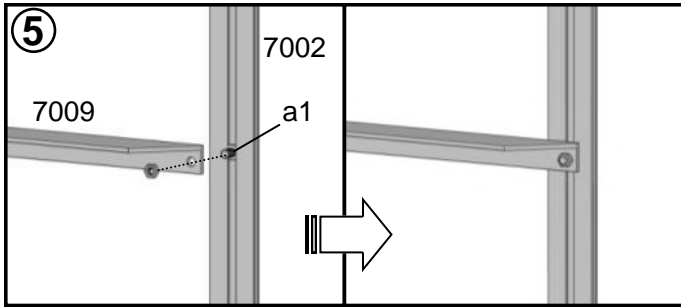
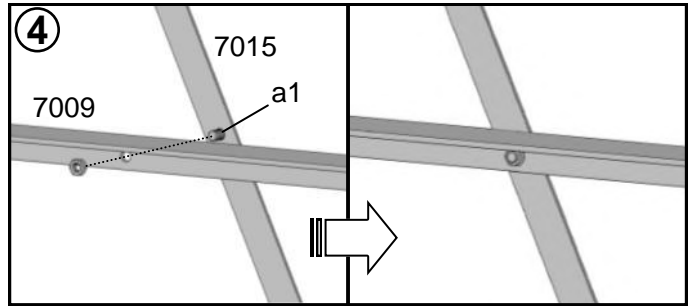
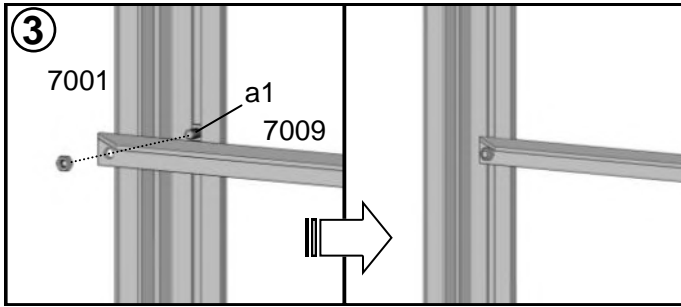
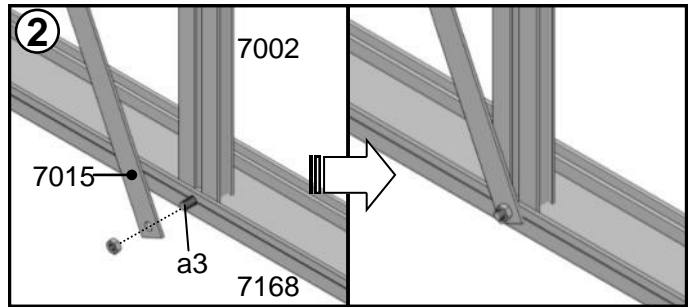
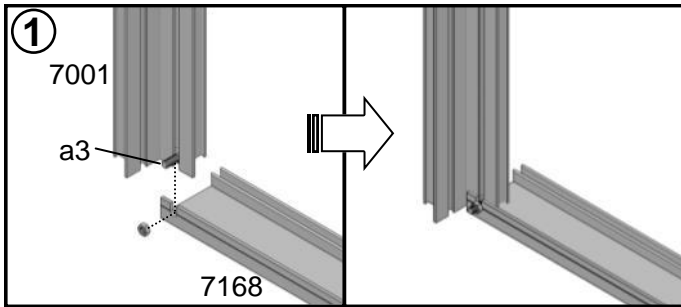
Front Gable

#	7001	7002	7003	7168	7009	7111	7112	7015	7121	7120	7166
Size	1600	2043	2043	2179	733	1242	1242	1712	1435	739	102
QTY	2	1	1	1	4	1	1	2	1	1	1

#	a1	a2	a3	a9	G-m1	G-m2	G-p1	a20
Size	M6x10	M6	M6x15	M6x10	-	-	-	-
QTY	26	32	4	2	1	2	1	32



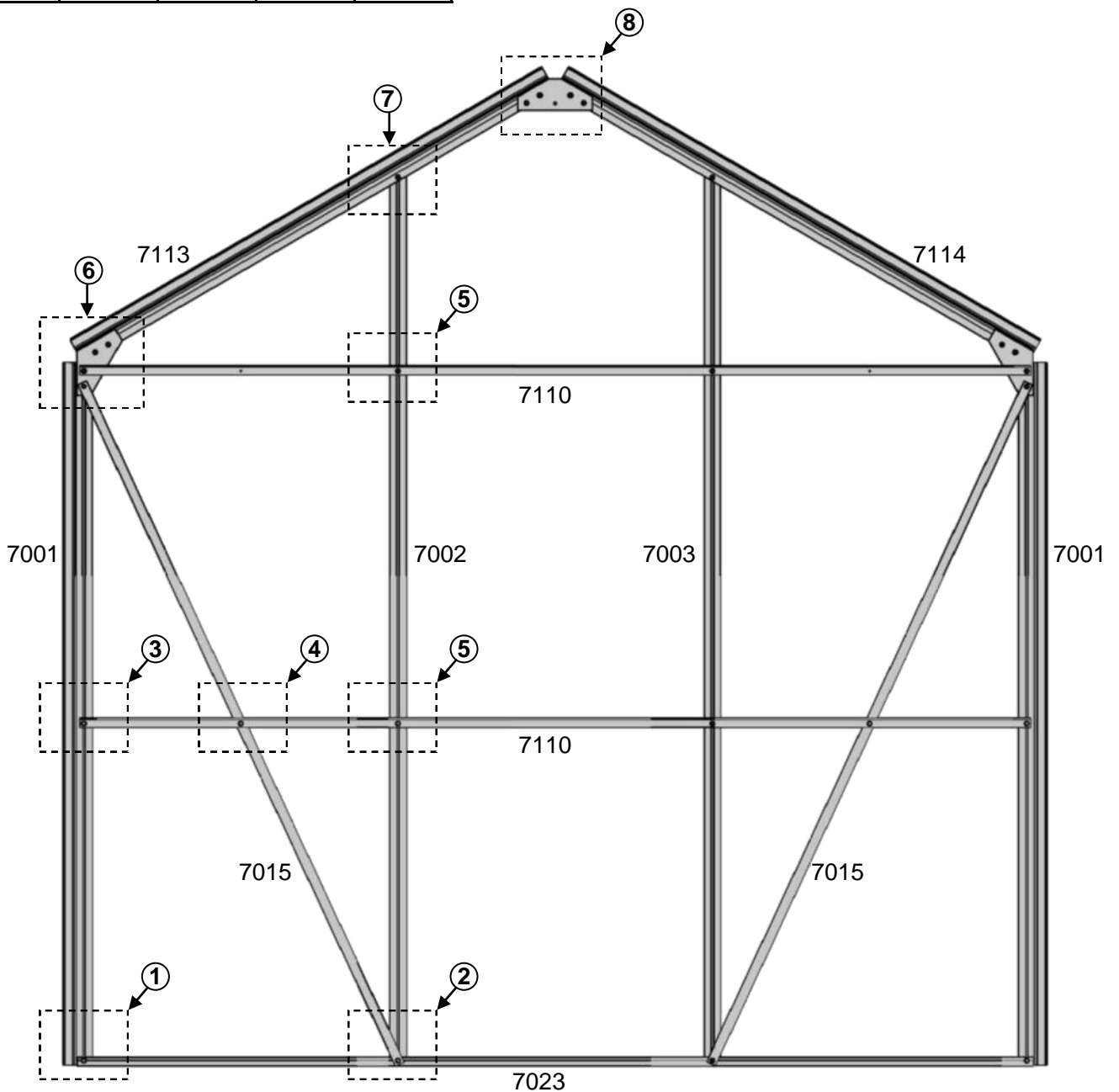
Front Gable



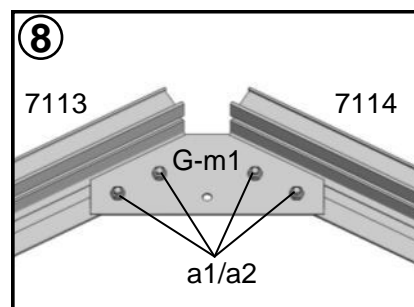
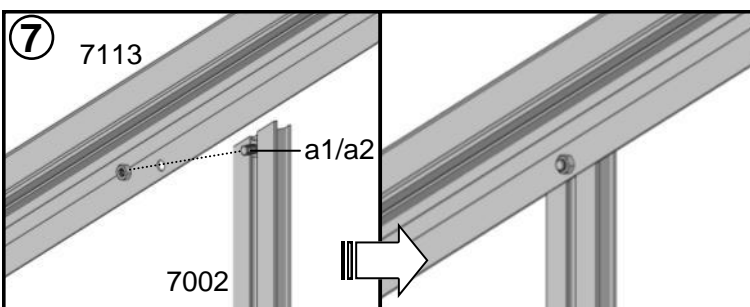
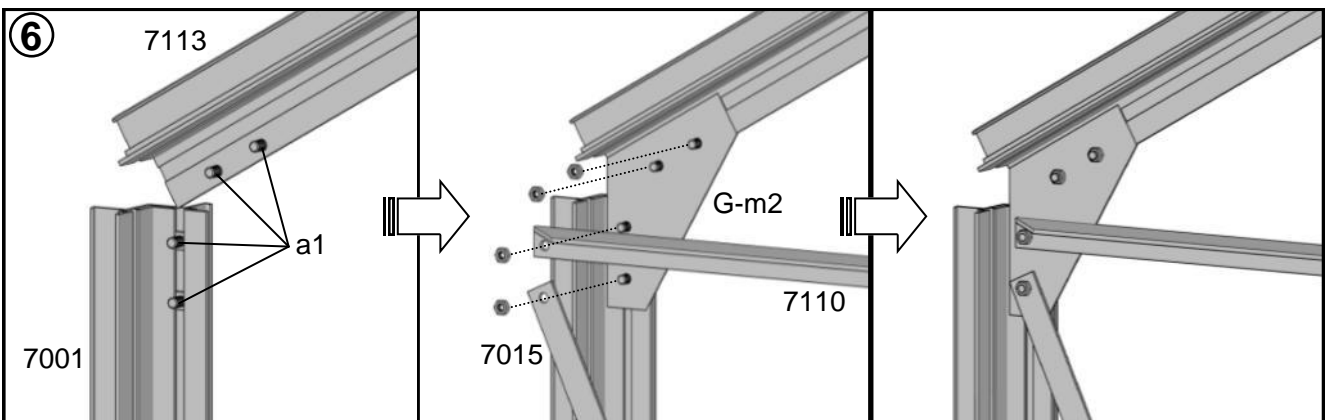
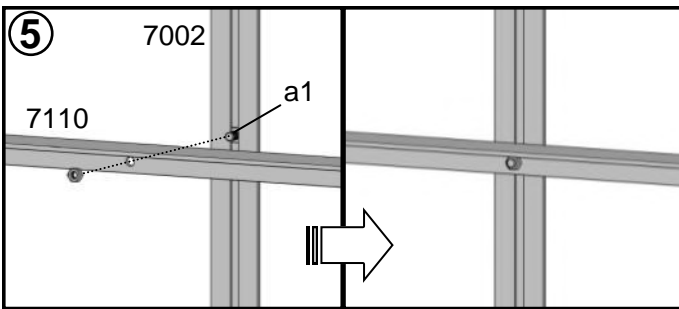
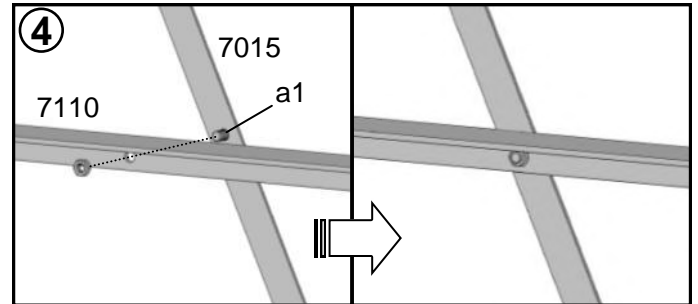
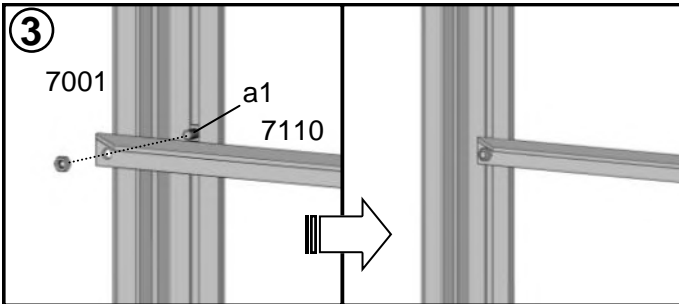
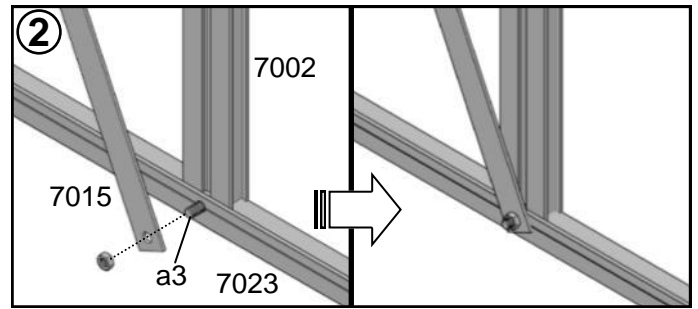
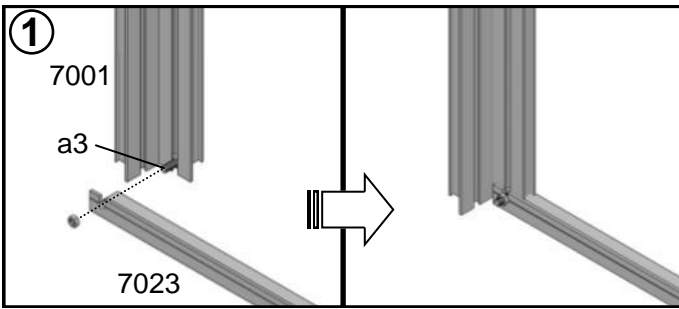
Rear Gable

#	7001	7002	7003	7110	7113	7114	7015	7023	a1	a2	a3
Size	1600	2043	2043	2167	1242	1242	1712	2179	M6x10	M6	M6x15
QTY	2	1	1	2	1	1	2	1	22	26	4

#	G-m1	G-m2	G-p1	a20
Size	-	-	-	-
QTY	1	2	1	26



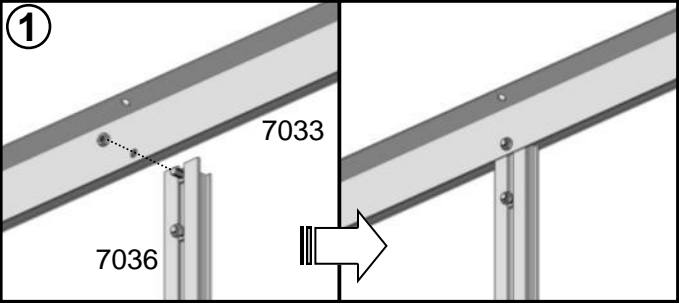
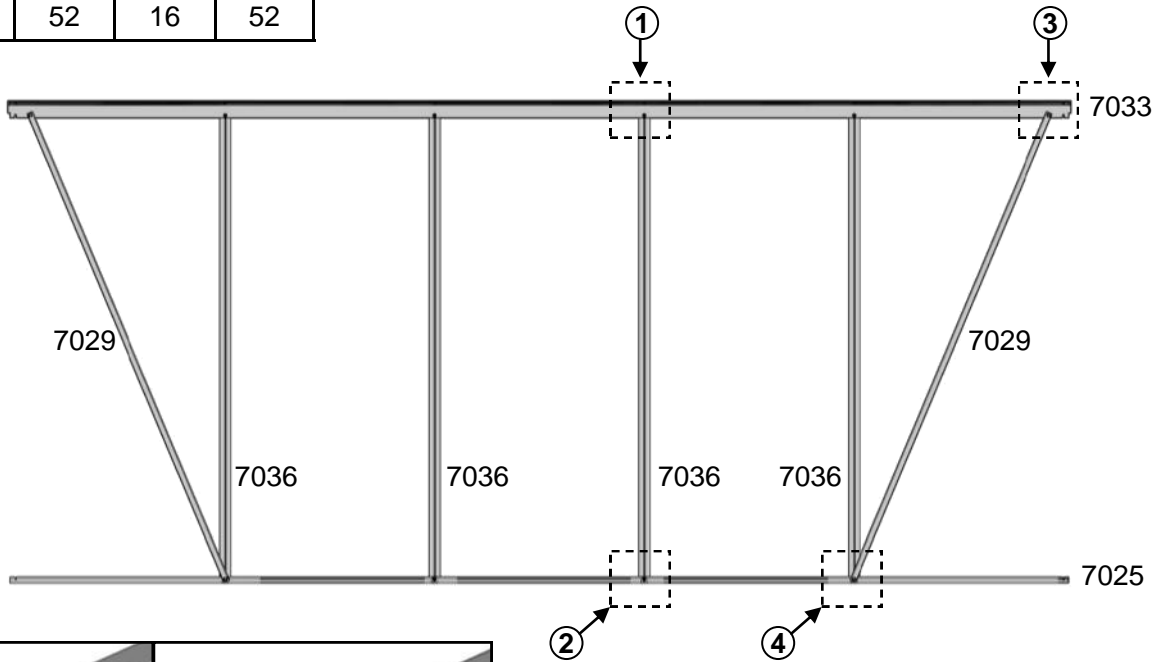
Rear Gable



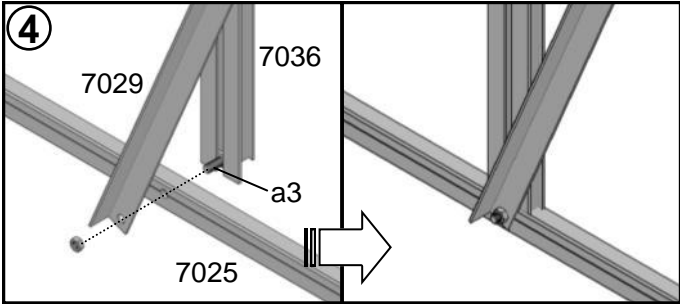
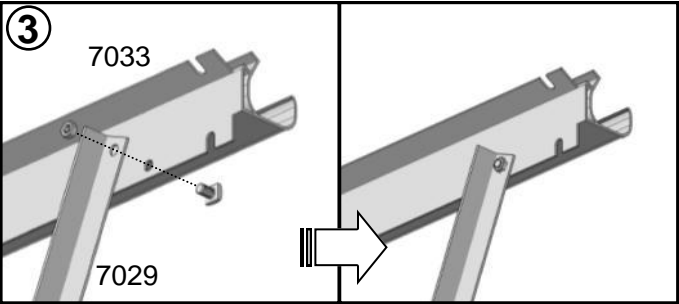
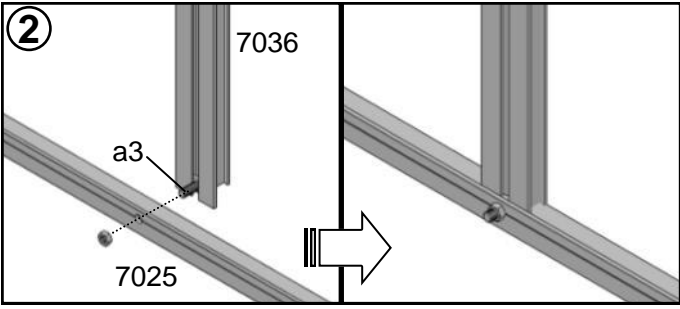
Side wall

#	7025	7029	7033	7036	7401	7402	7403	7404	7405	7406	7407	7408	7409
Size	3613	1732	3636	1600	1600	1433	716	1433	716	1458	741	1458	741
QTY	1	6	1	6	2	1	1	1	1	1	1	1	1

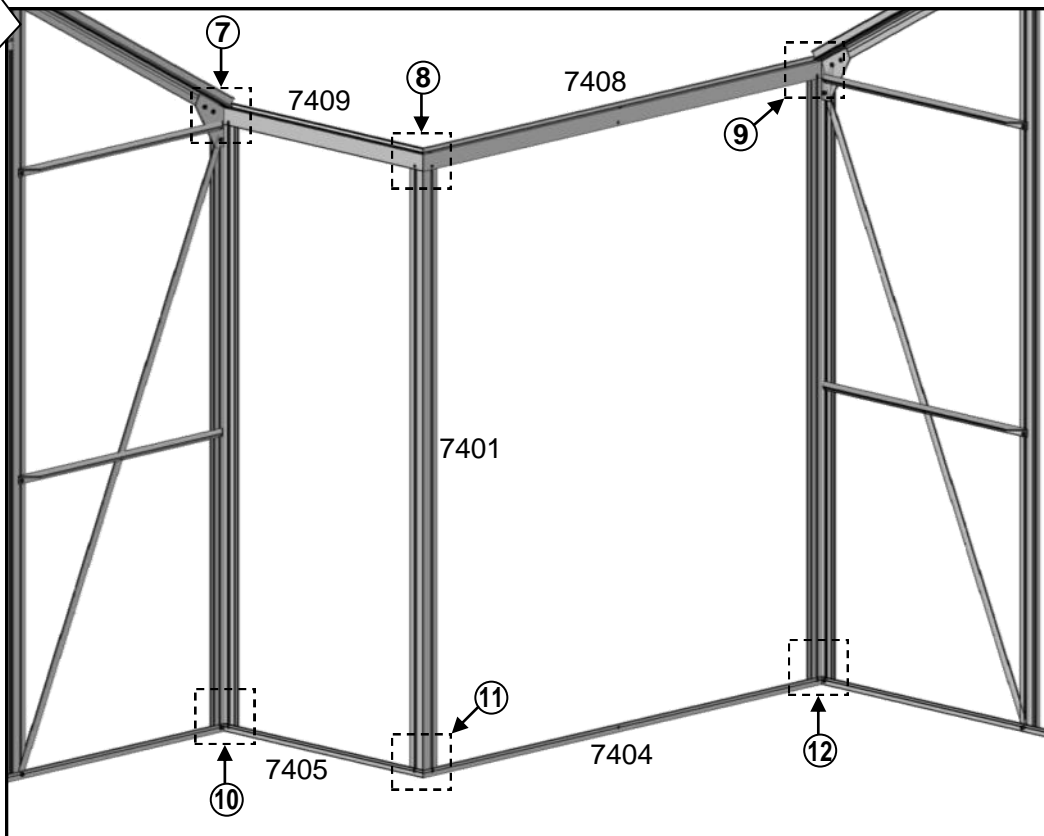
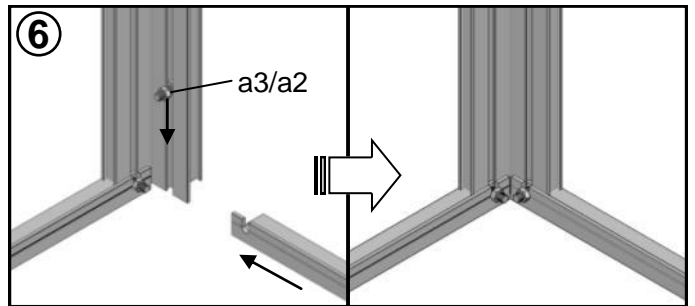
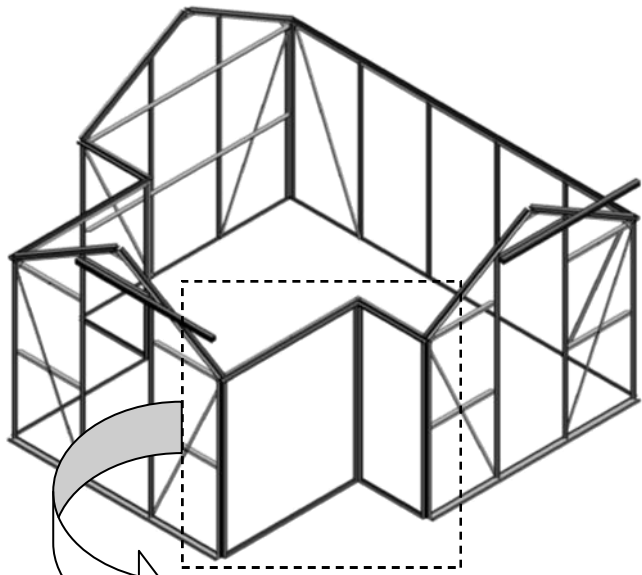
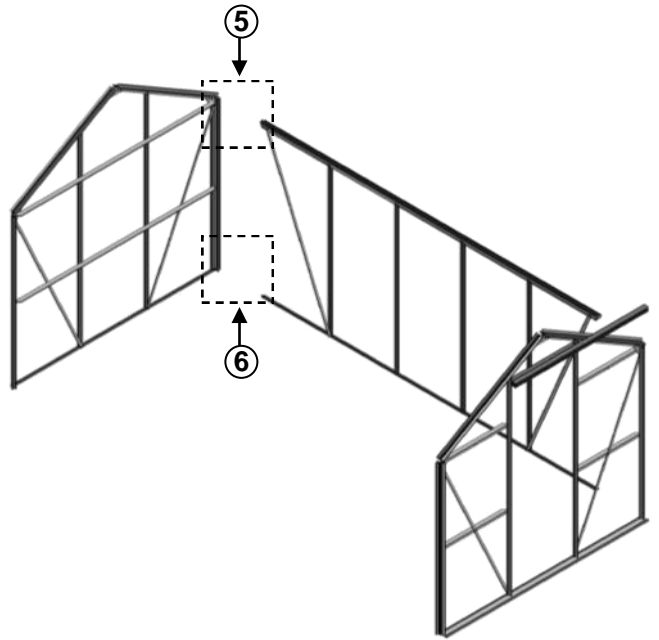
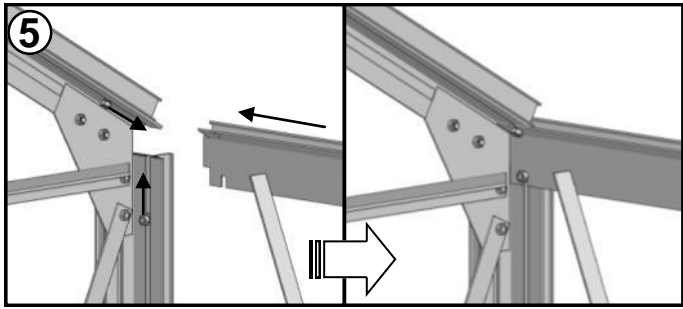
#	a1	a2	a3	a20
Size	M6x10	M6	M6x15	-
QTY	36	52	16	52



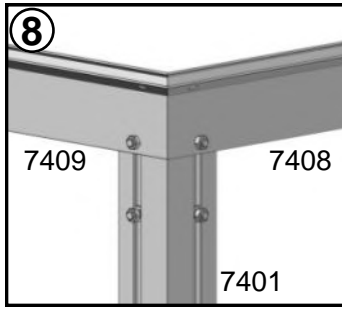
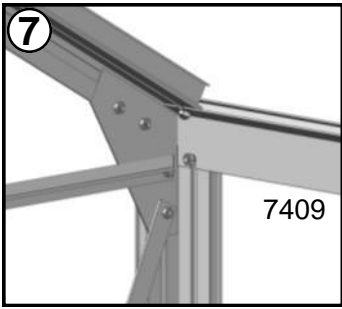
Note: Please add extra bolt into channel for eave cantilever use in advance.



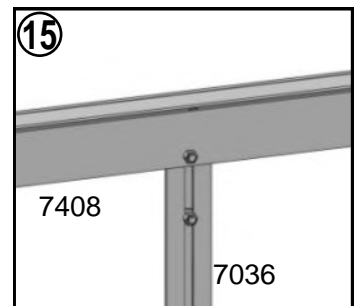
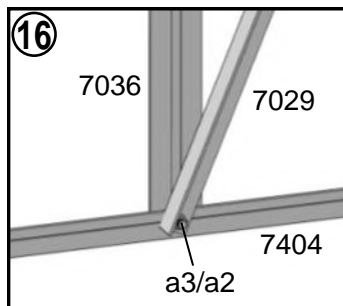
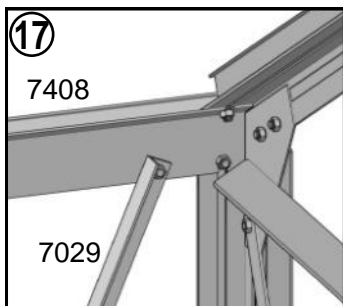
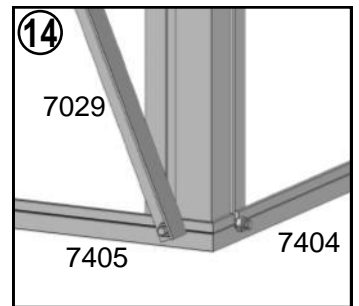
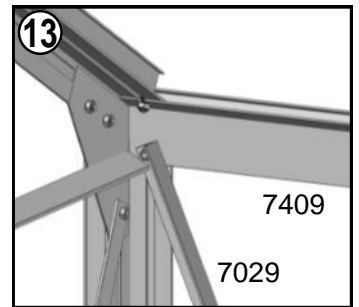
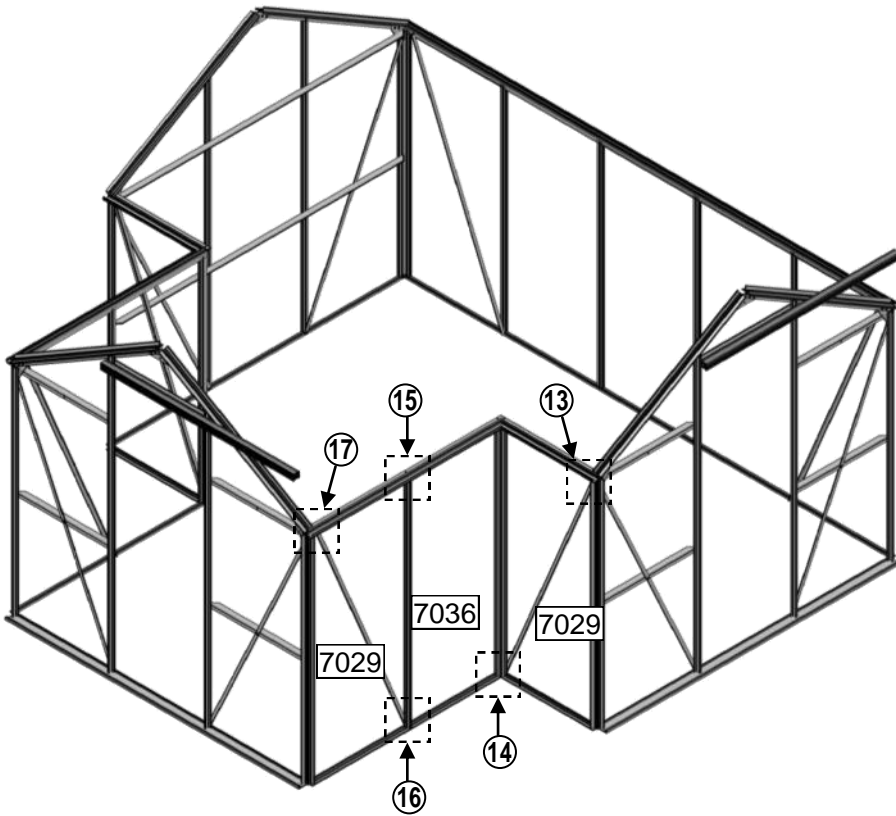
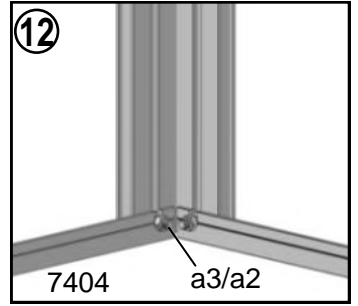
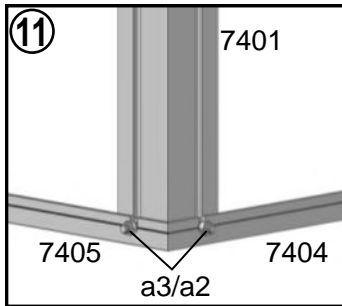
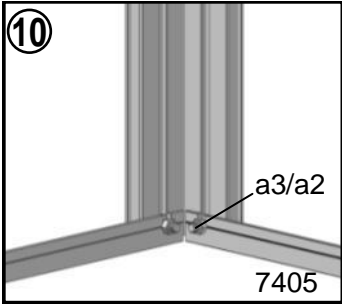
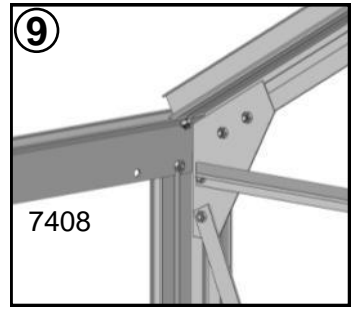
Side wall



Side wall



Note: Bolts need to be slid into corner bars for eave cantilever bracing use later.



12

Note: Bolts need to be slid into glazing bars for eave cantilever bracing use later.

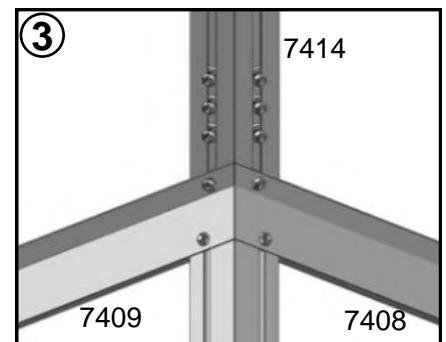
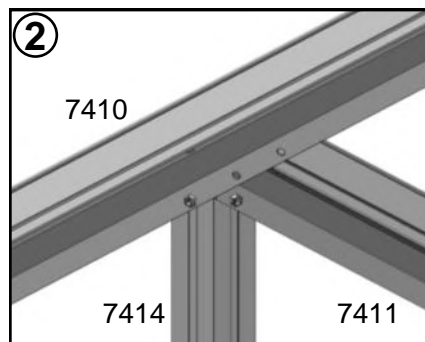
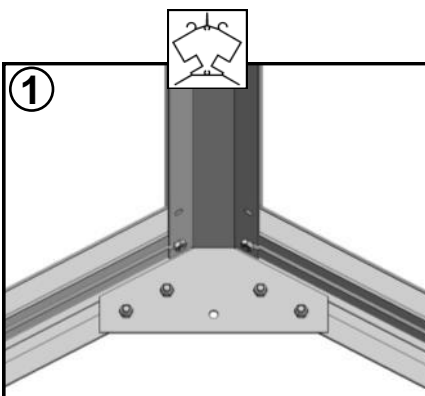
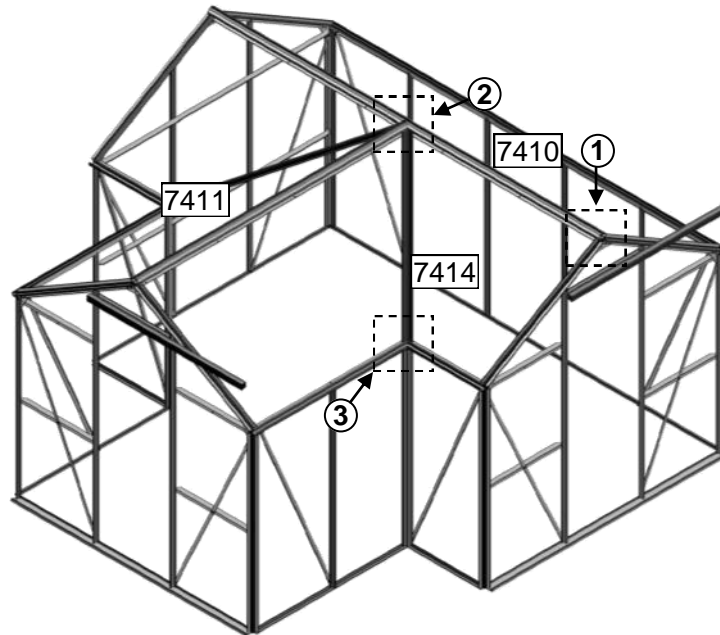
Roof

#	7410	7411	7414	7416	7417	7418	7419	7144	7424	7425	7048	7152	7426
Size	3636	2523	1675	1187	1187	359	359	1242	1054	1771	3600	1406	1390
QTY	1	1	2	2	2	2	2	6	2	2	1	4	2

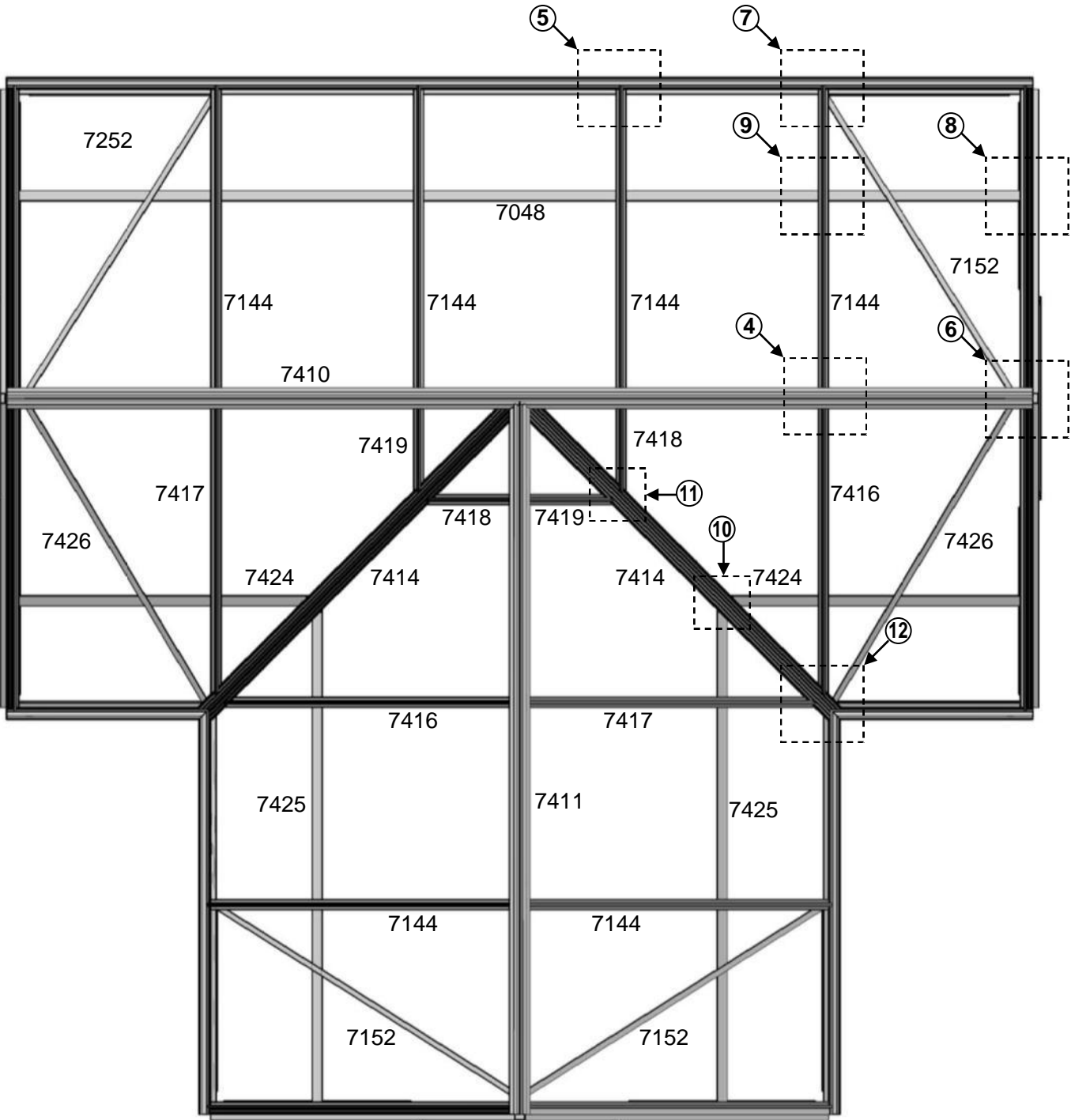
#	7037	a1	a2	a20	m3
Size	468	M6x10	M6	-	-
QTY	17	116	116	116	8

VERY IMPORTANT:

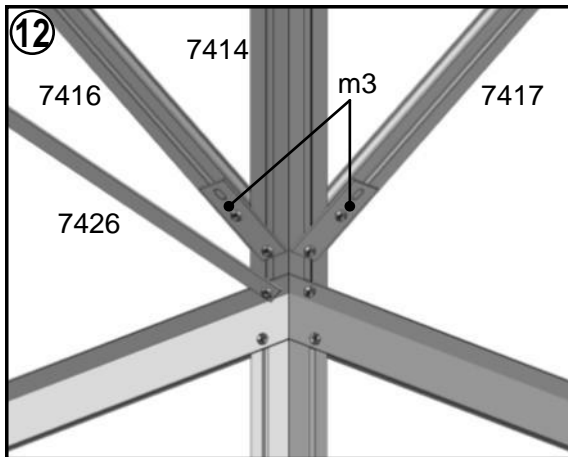
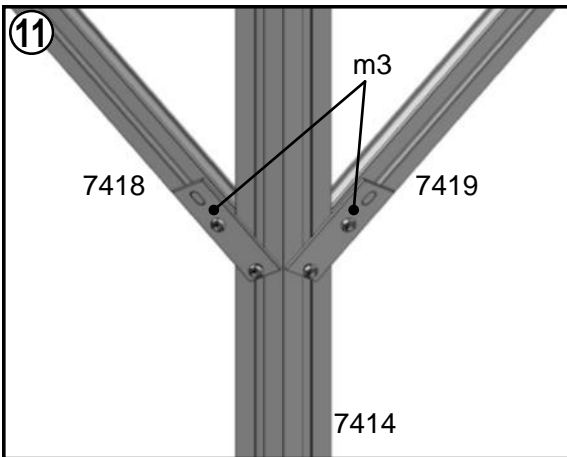
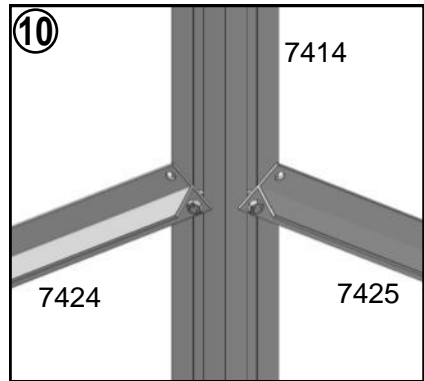
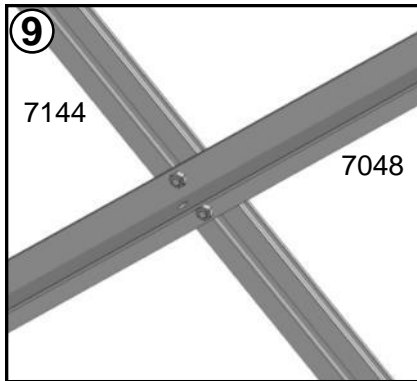
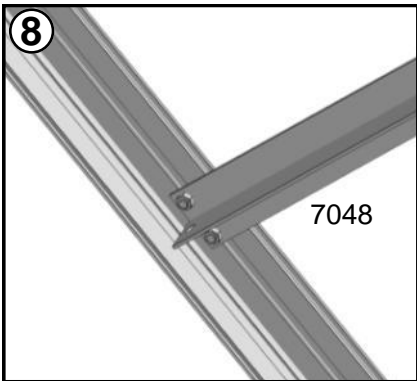
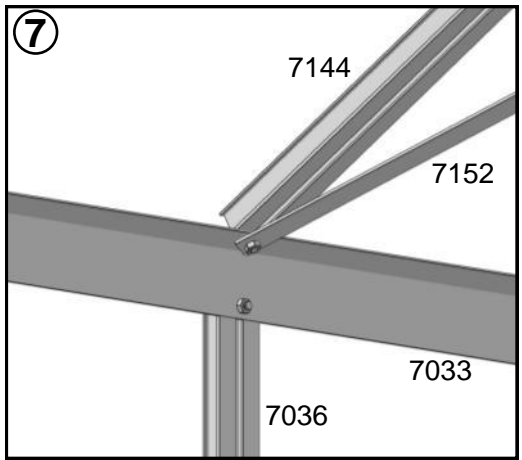
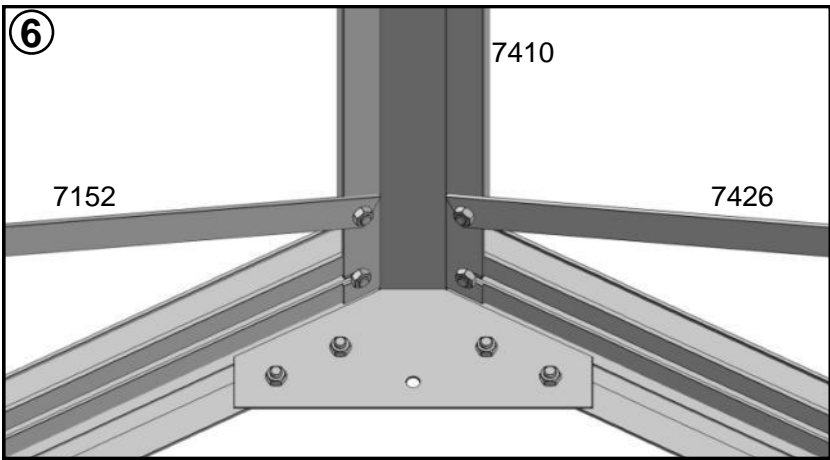
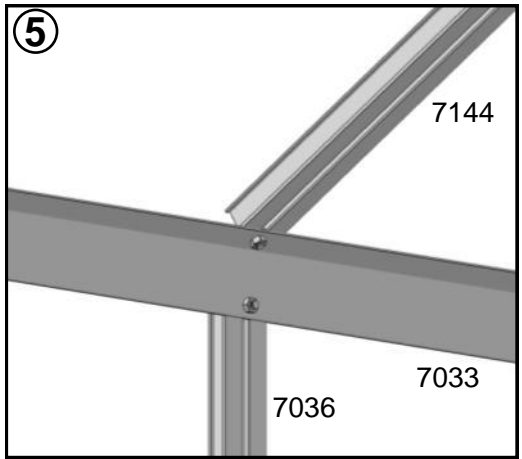
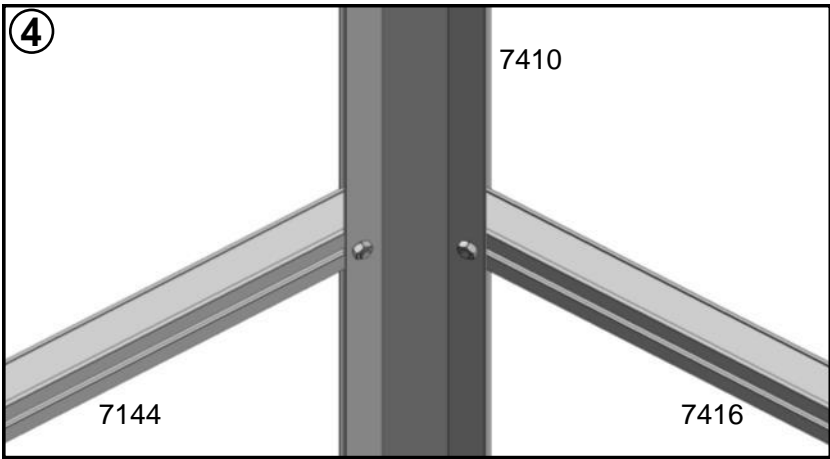
1. Before attaching roof bars to structure, bolts will need to be slid into each roof bar for the ridge cantilever, two more for hanging basket rail, one more for the eave cantilever bracing between the roof and the side, one more for the vent slam bar attaching (If vent position to be decided).
2. Prior to tightening the roof bars to structure. Please ensure that the roof bar is pushed up hard against the ridge and the gutter bar.
3. In order to avoid the result in a slight outside bow of the gutters and a slight downward dip to the ridge. Please support the ridge at the center of greenhouse firstly, and then tightening the nuts of ridge cantilever and eave cantilever bracing bars.



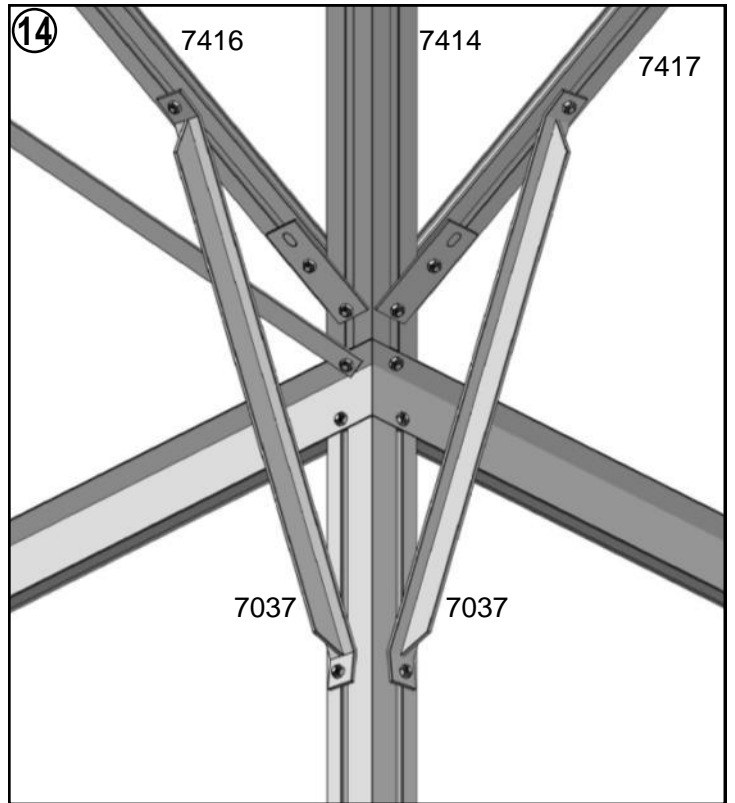
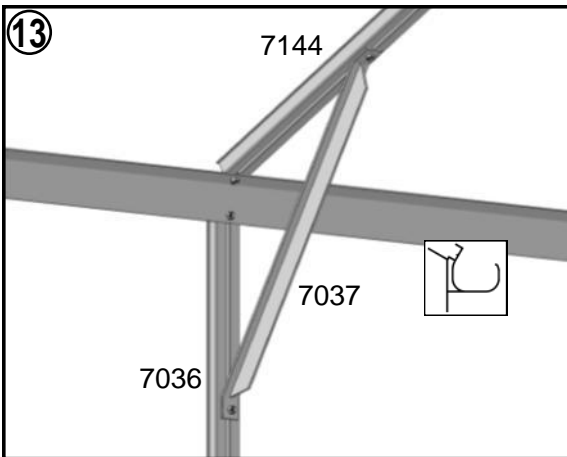
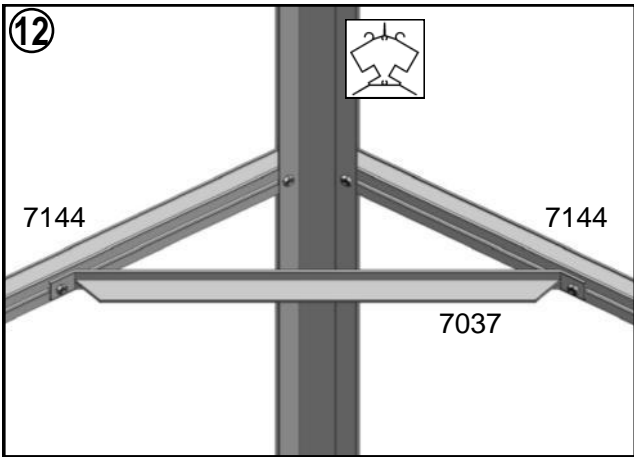
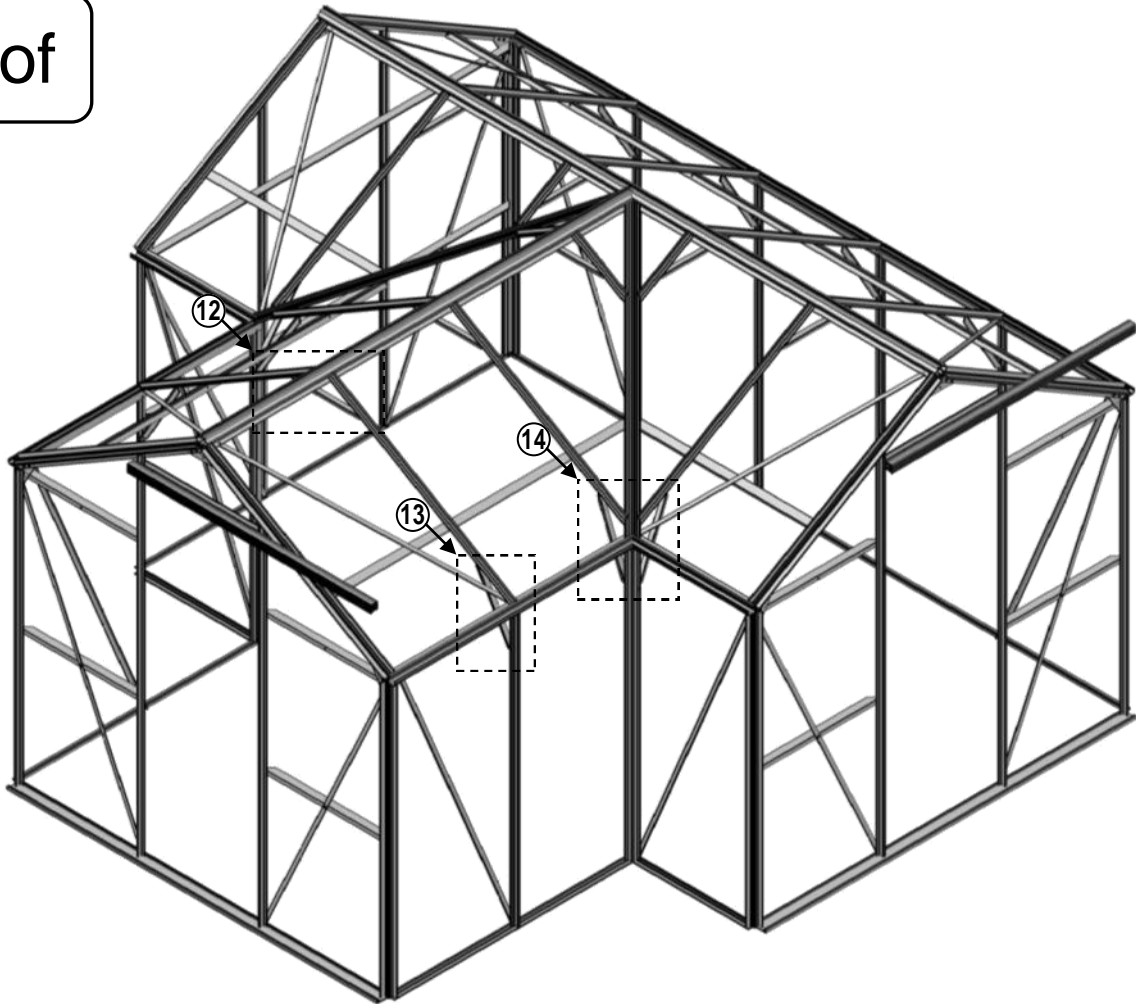
Roof



Roof

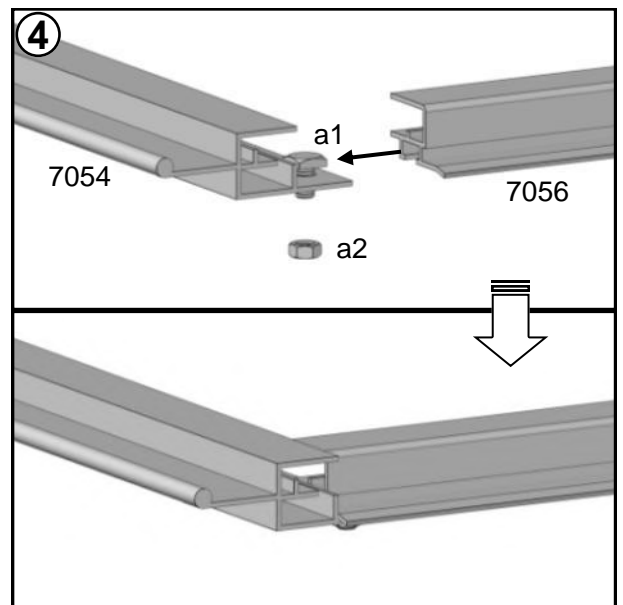
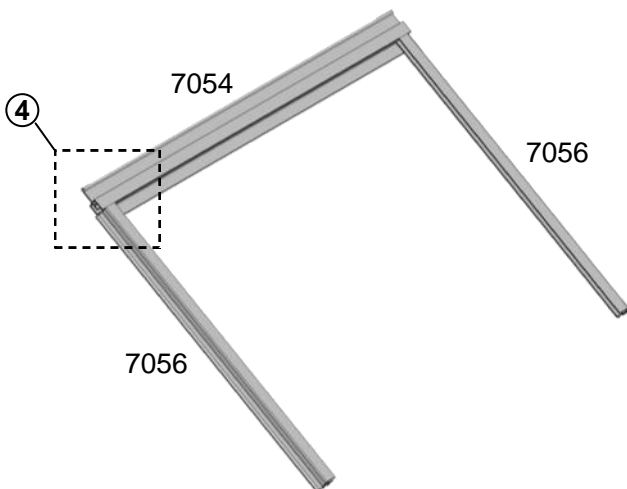
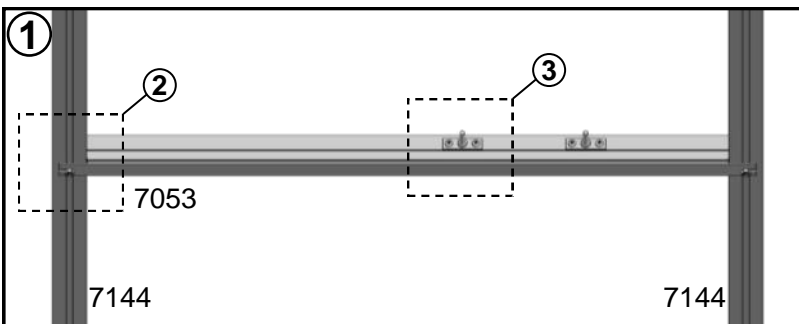
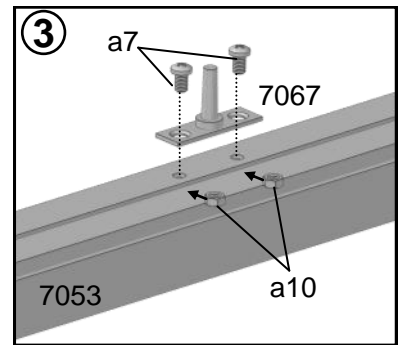
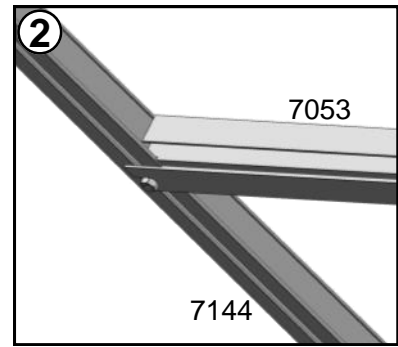
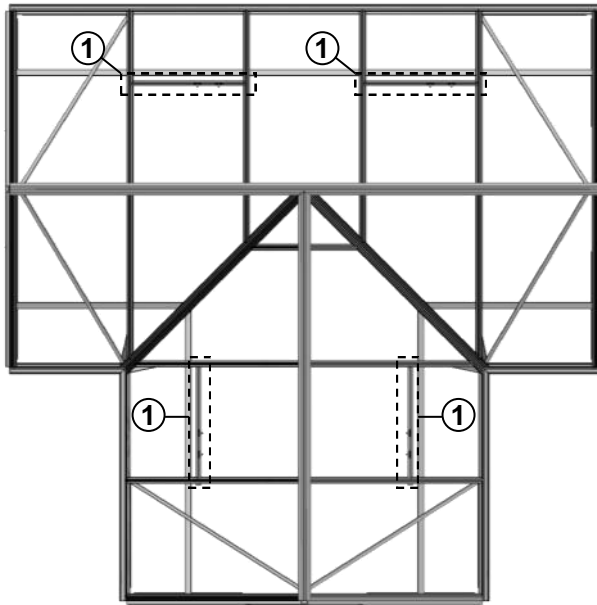


Roof

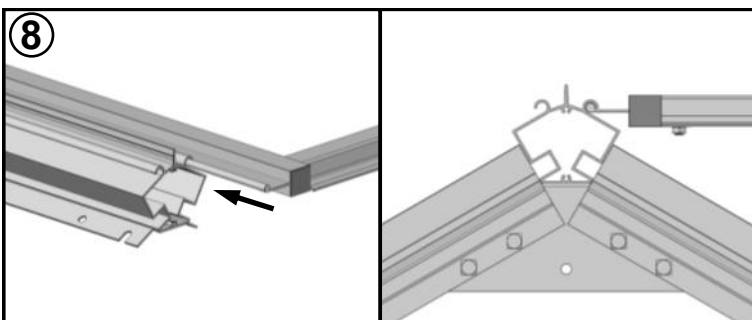
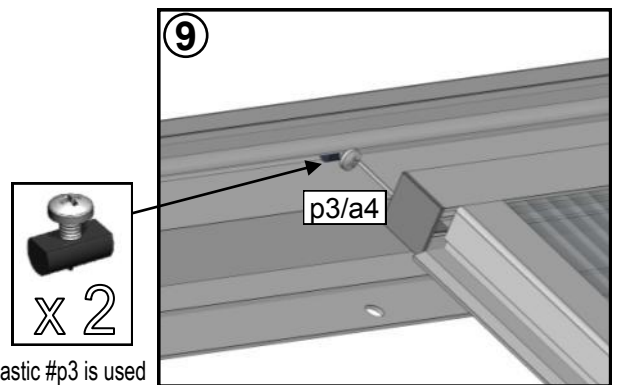
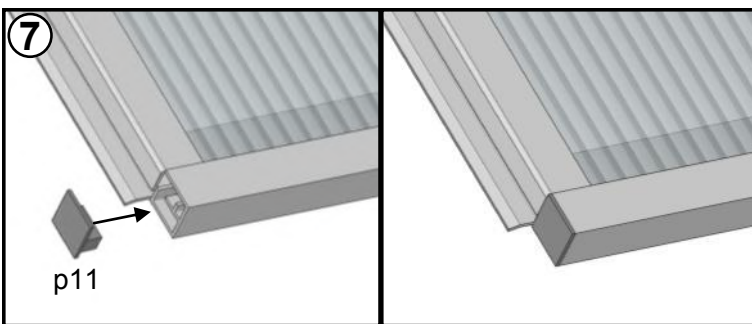
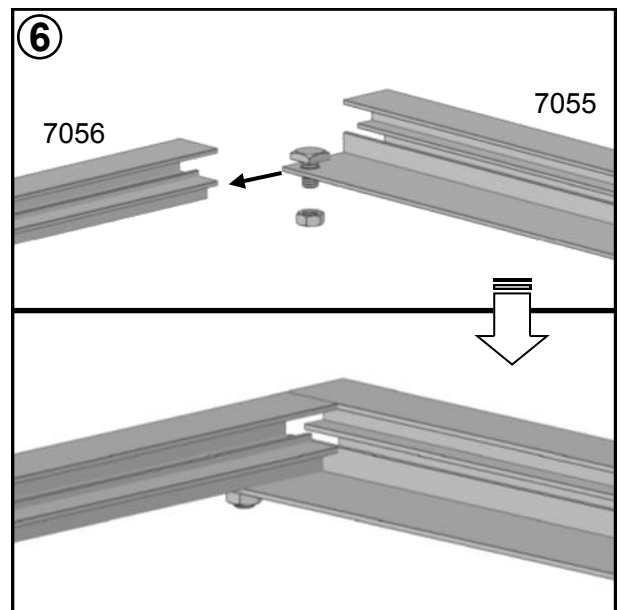
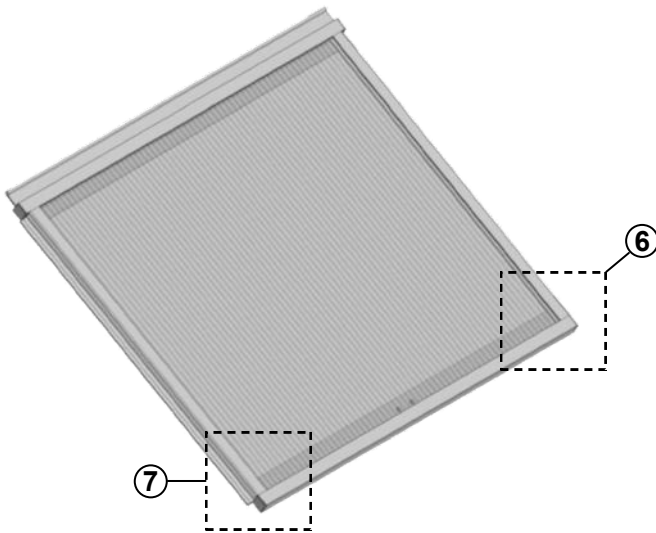
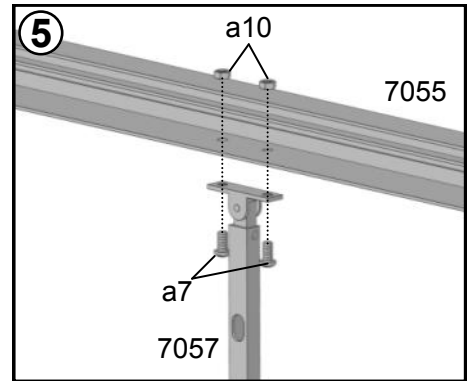
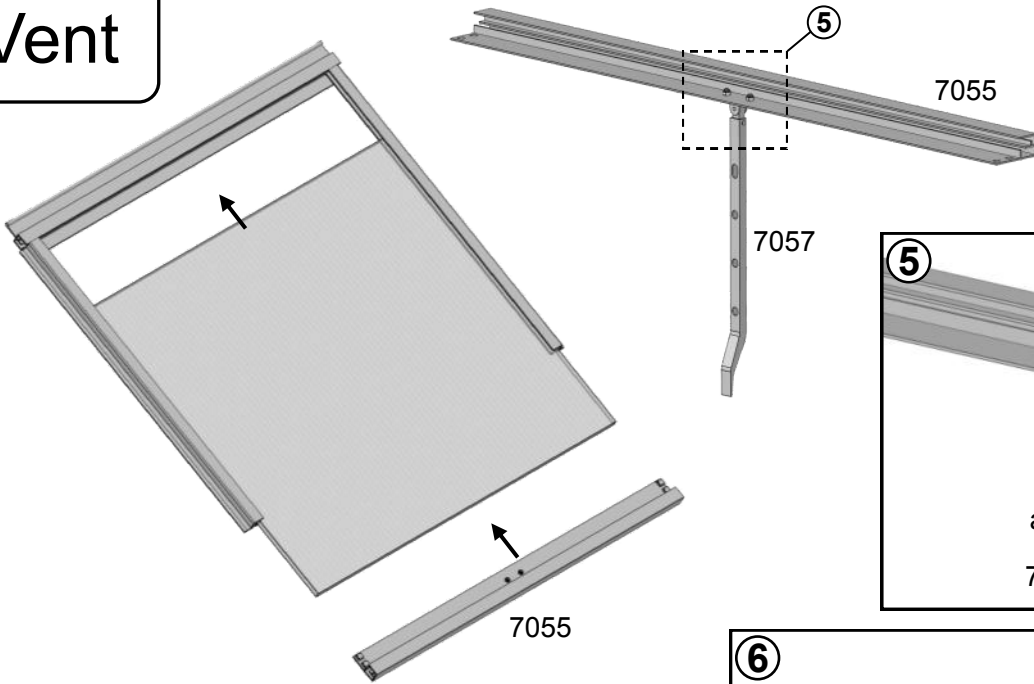


Vent

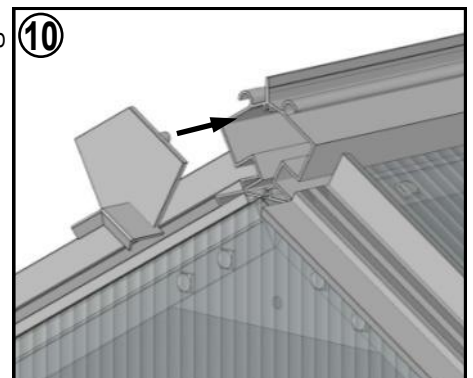
#	7053	7054	7055	7056	7057	a1	a2	a4	a7	a10	p3	a20	p11
Size	739	718	701	593	300	M6x10	M6	Φ3.9x8	M4x8	M4	-	-	-
QTY	1	1	1	2	1	6	6	2	2	2	2	8	4



Vent

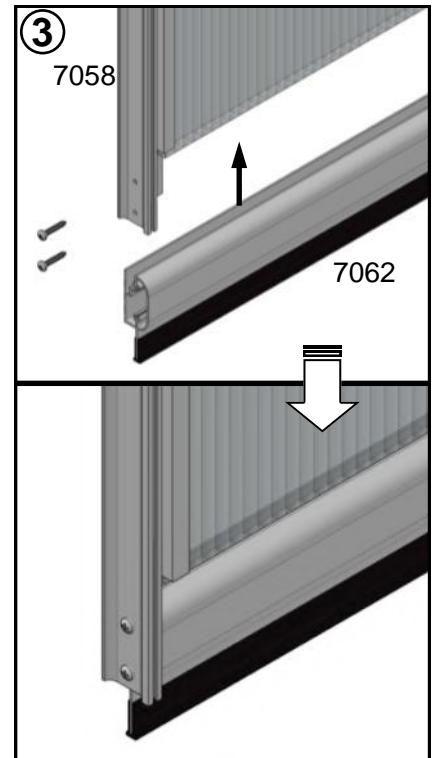
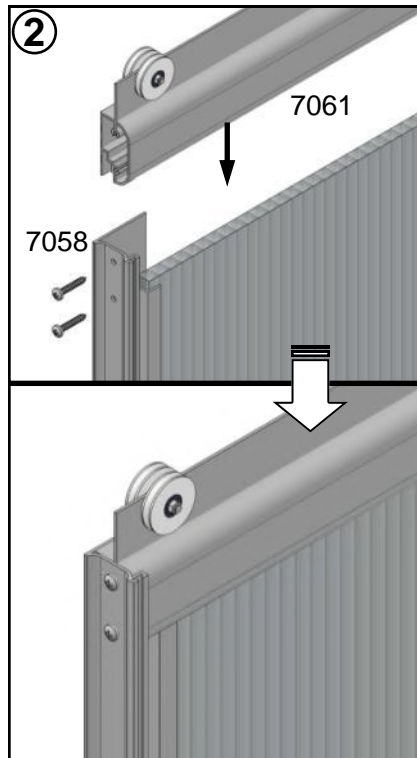
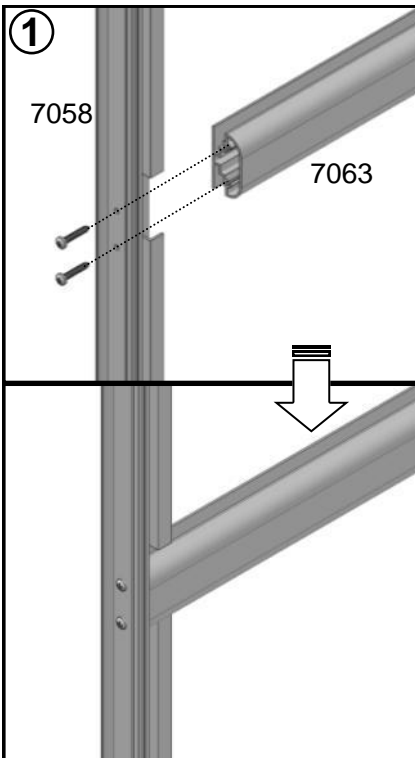
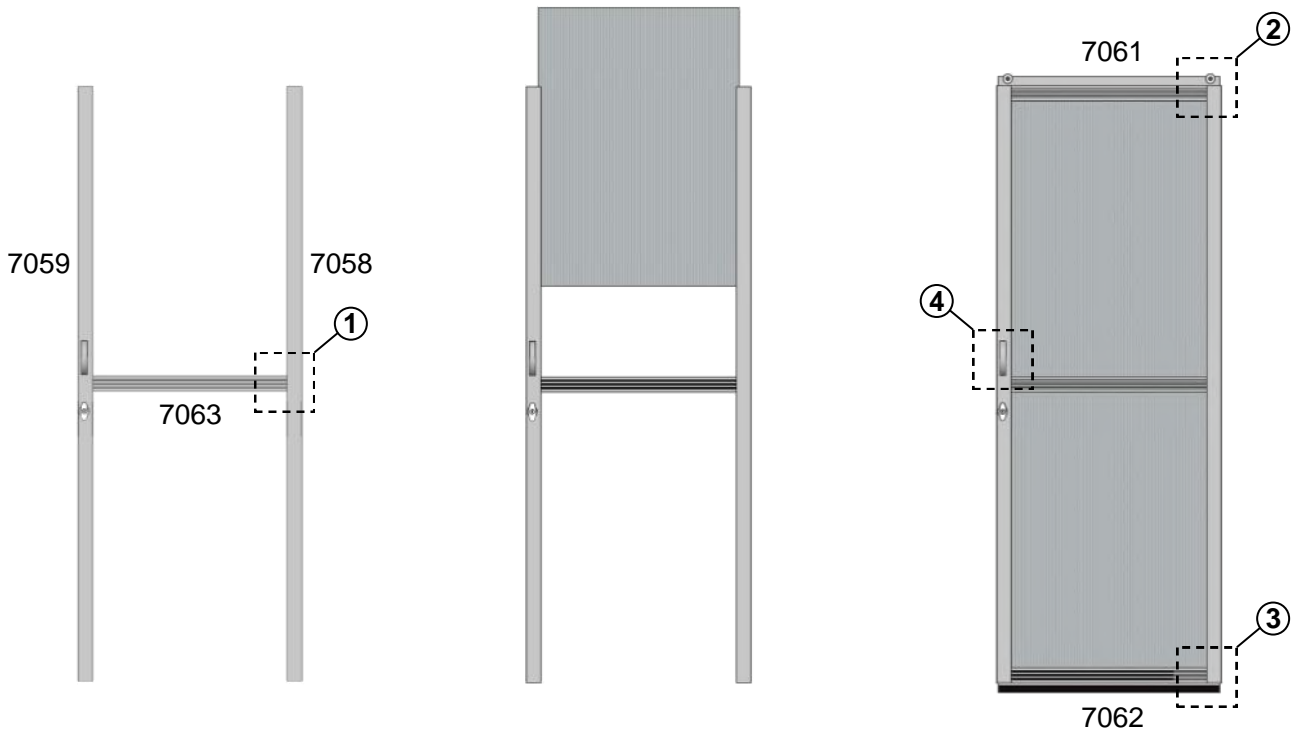


Plastic #p3 is used on both sides of the window to keep it from moving side to side. Screw #a4 will hold #p3 firmly in its place.

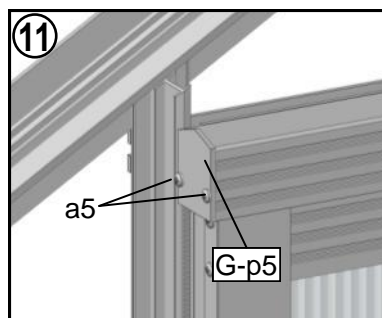
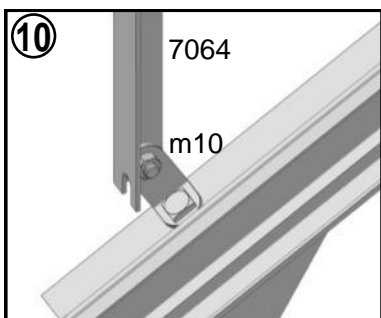
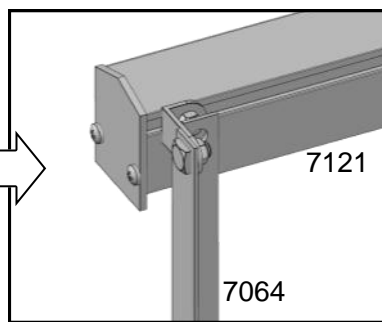
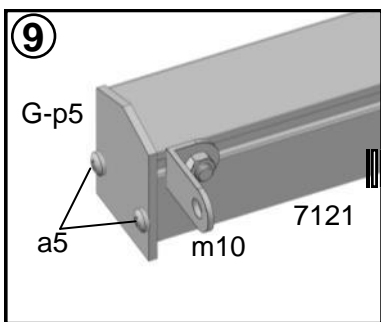
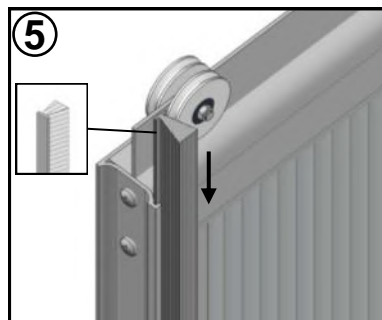
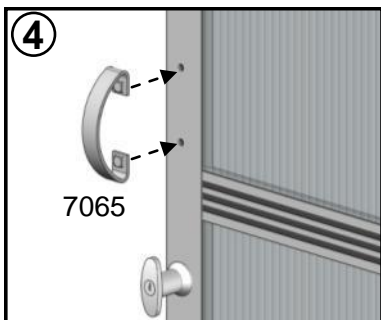
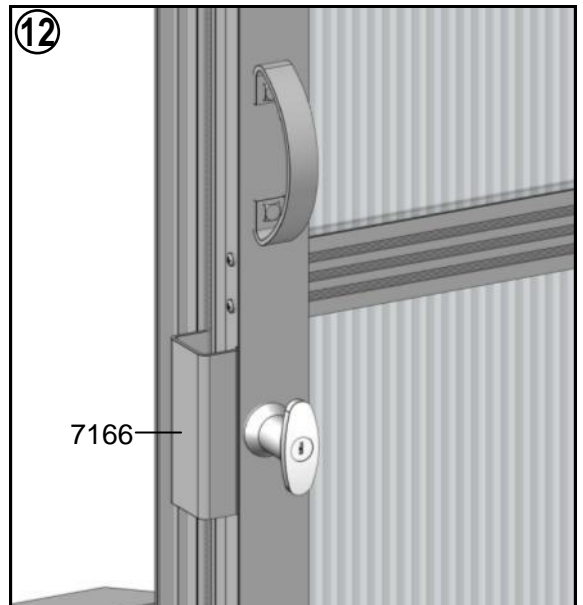
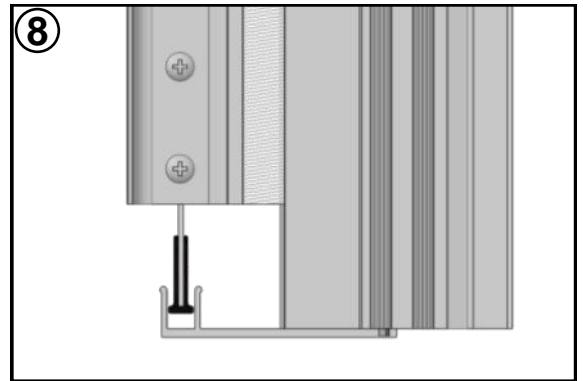
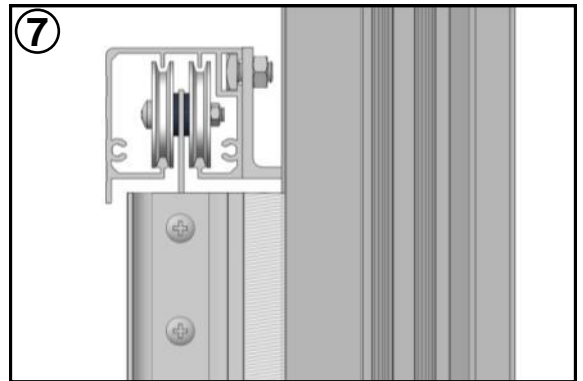
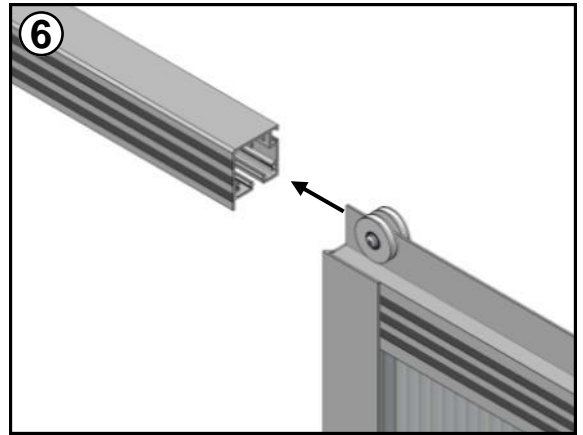
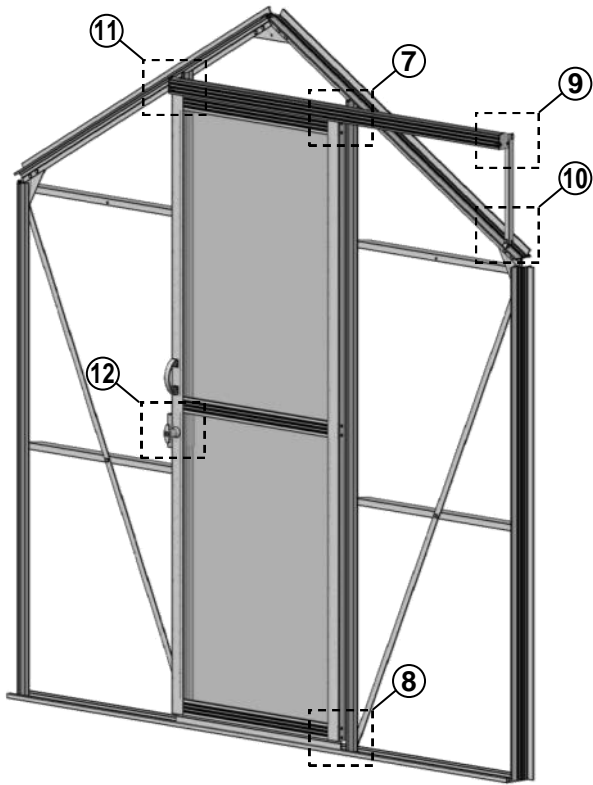


Door

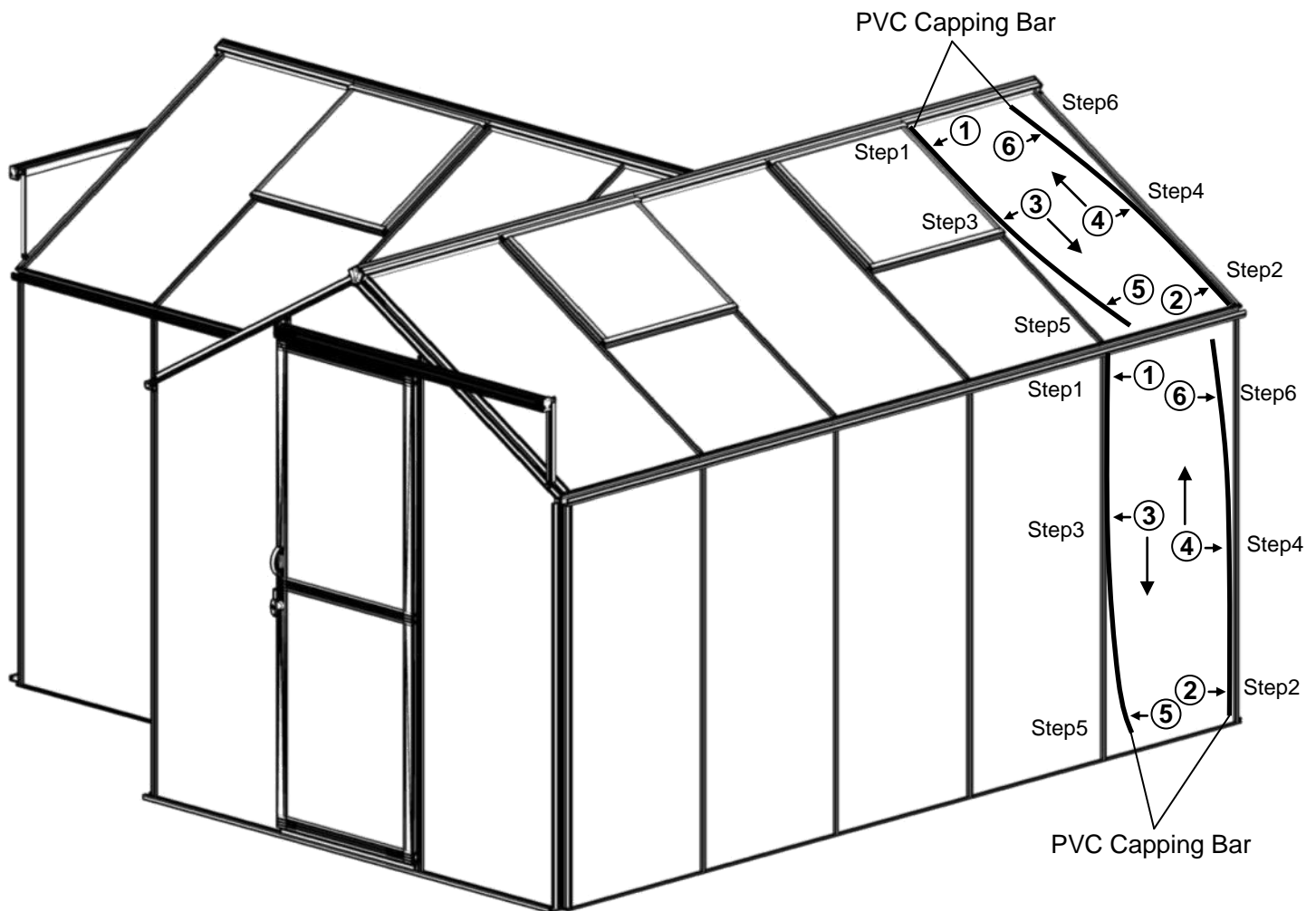
#	7058	7059	7061	7062	7063	7064	7065	a1	a2	a5	a20	m10	G-p5	FLUFF
Size	1938	1938	715	715	715	350	-	M6x10	M6	Φ3.5x19	-	-	-	1938
QTY	1	1	1	1	1	1	1	10	10	16	10	2	2	2



Door



PVC Capping Bar

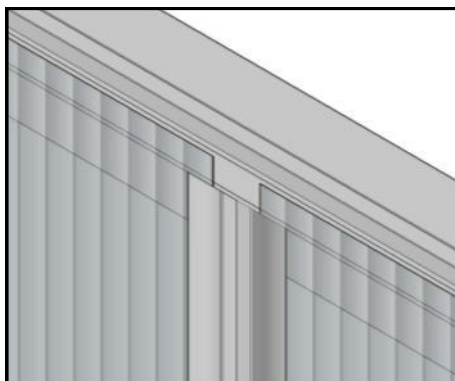
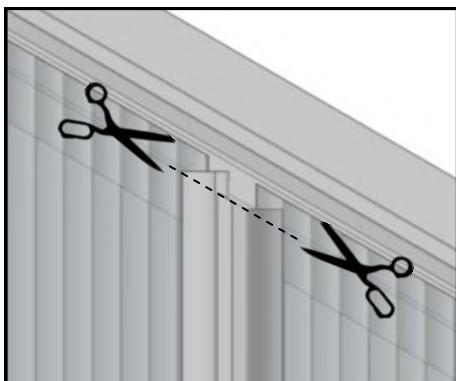


Note:

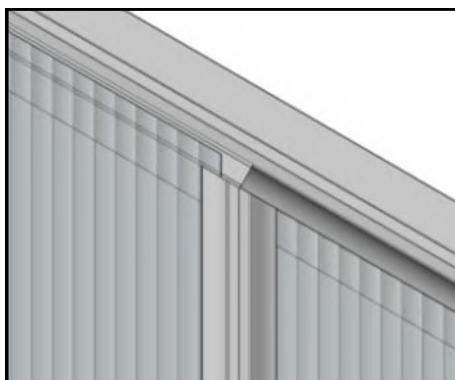
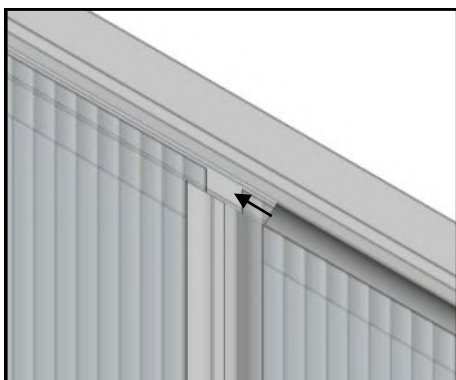
PVC capping bars were pushed in place from both top and bottom in diagonal direction together.

If you assemble it from one side by one side, you will feel space is too tight to assemble another PVC capping bar.

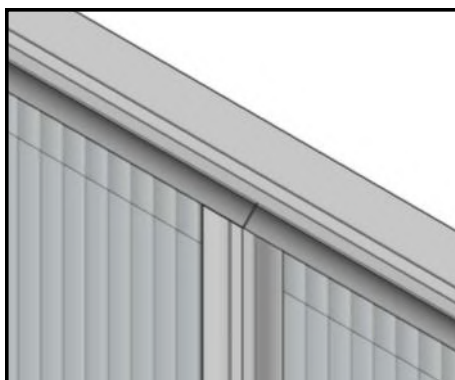
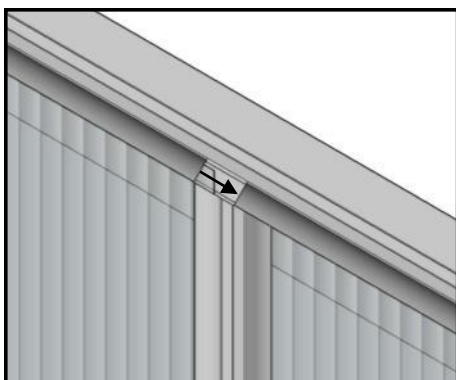
PVC Capping Bar



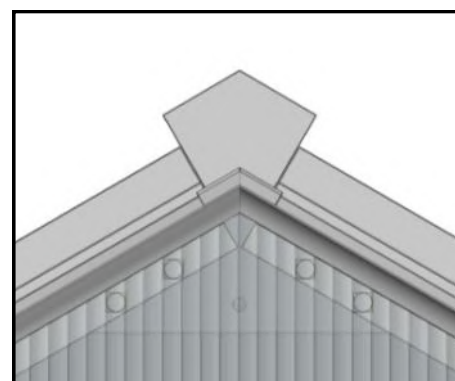
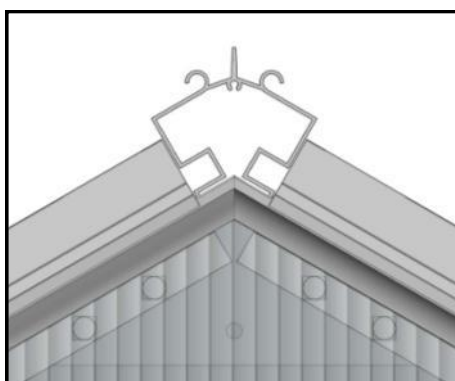
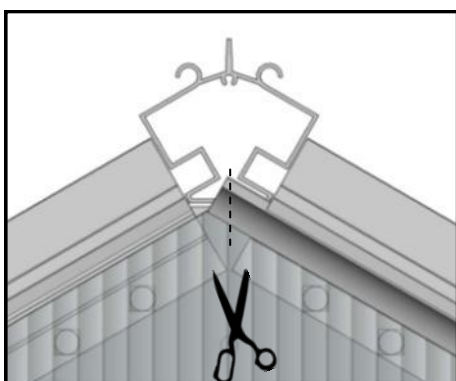
Please trim vertical PVC capping bar which exceeding Alu. Profile.



Sliding slope PVC capping bar into Alu. Profile gap.

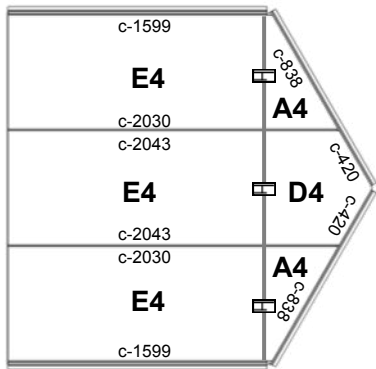
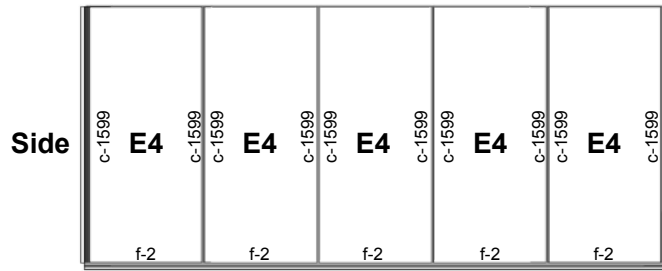


Two slope PVC capping bar connect together without gap.

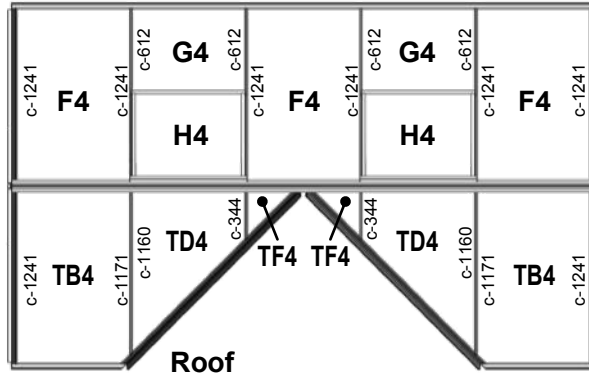


Please trim two slope PVC capping bar edge on top end and make them connect without gap.

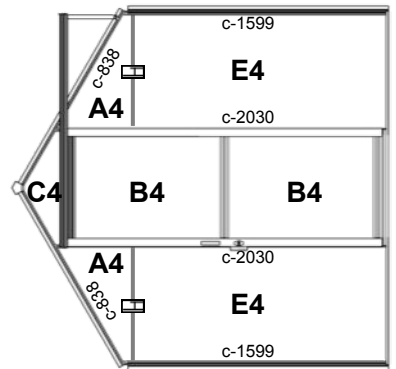
4mm Glass



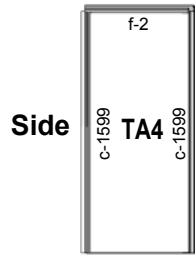
Rear



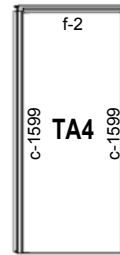
Roof



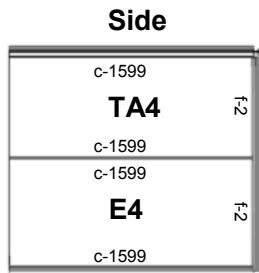
Front



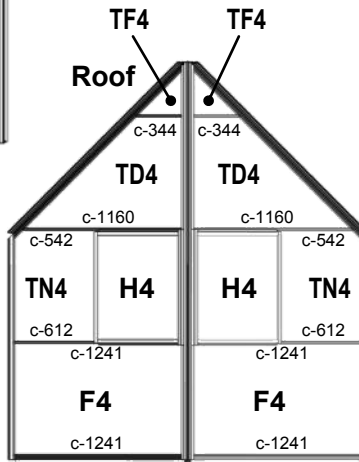
Side



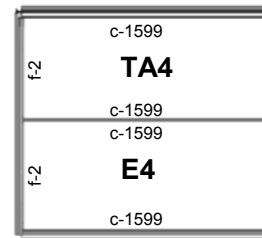
Side



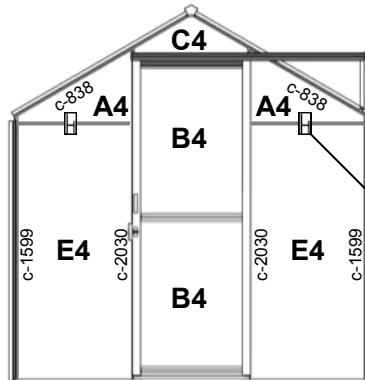
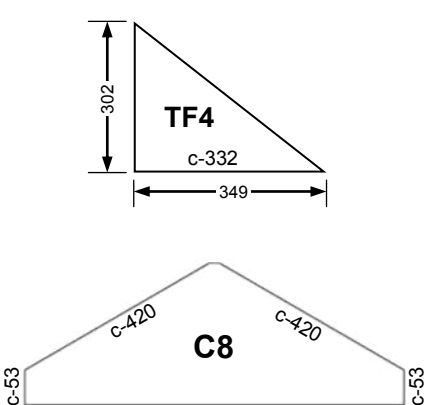
Side



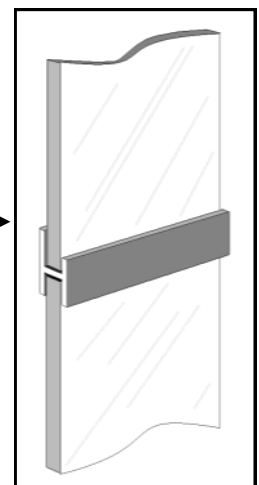
Roof





Side




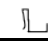



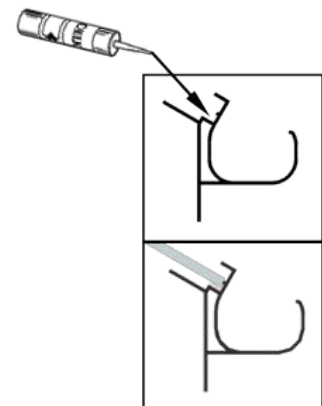
Front



4mm Glass

#	Size	GTA7
A4	700 x 35 / 438	6
B4	650 x 933	4
C4	700 (14) x 61 / 260 / 61	2
D4	700 (14) x 448 / 647 / 448	1
E4	700 x 1597	14
F4	700 x 1252	5
G4	700 x 624	2
H4	700 x 631	4
TA4	653 x 1597	4
TB4	700 (652) x 1252 / 1197	2
TD4	700 x 1177 / 369	4
TF4	302 x 349 / 0	4
TN4	700 (652) x 624 / 569	2
H	700	7
	5 meter	21 roll
	Silicone 	

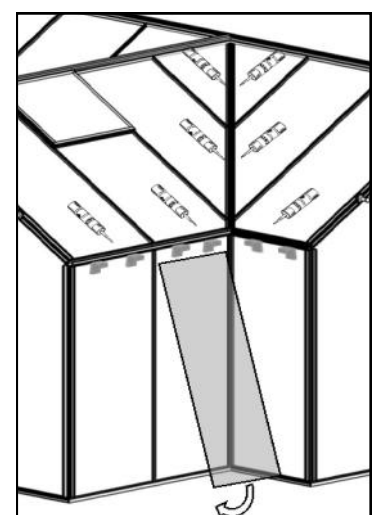
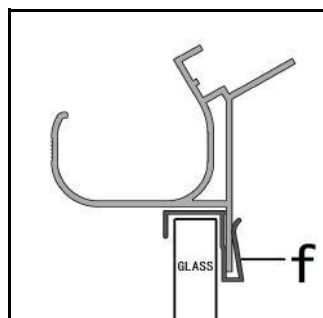
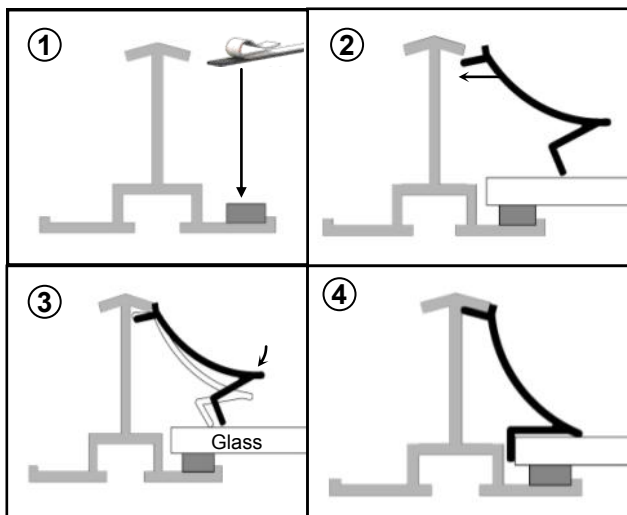
		DWG	Length	GTA7
Front Gable	c		53	4
			420	4
			838	4
			2030	4
Rear Gable	c		420	2
			838	2
			1599	2
			2030	2
			2043	2
Side wall	c		1599	22
	f		16	22
Roof	c		332	4
			344	4
			542	2
			612	6
			1160	4
			1171	2
			1241	12



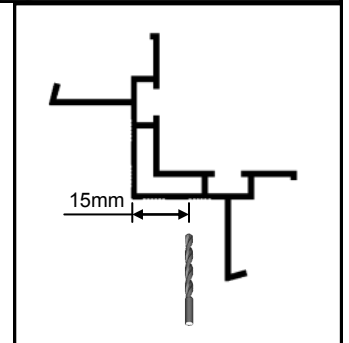
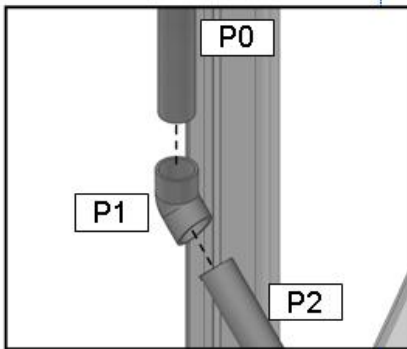
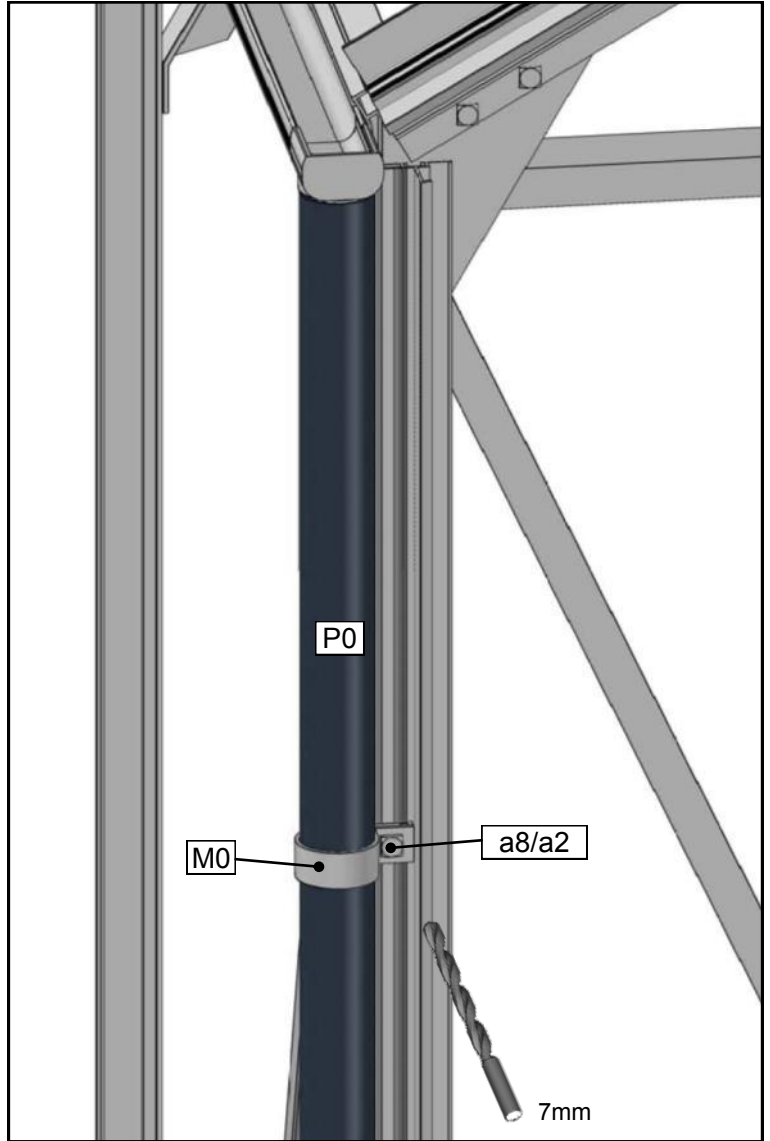
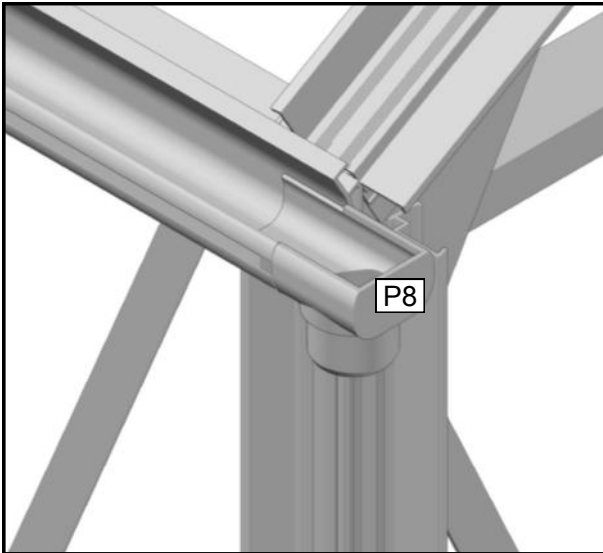
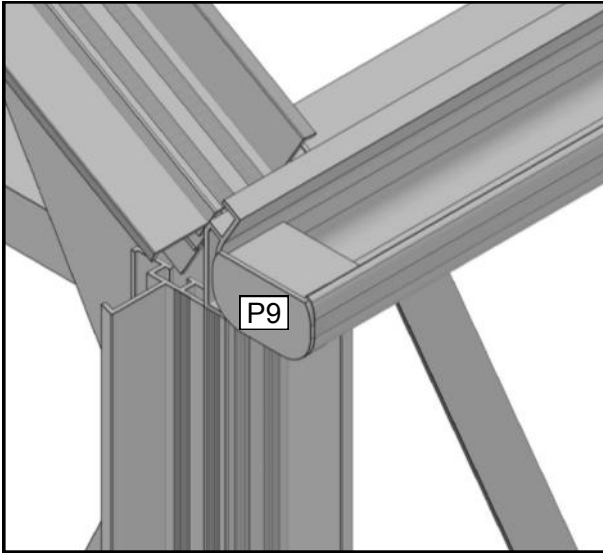
Detail of PVC capping bar

Detail of f clip

Detail of silicon



Downpipe



#	P8	P9	M0	P1	P0	P2	a8	a2	a20
mm					1000	200	M6x16	M6	-
QTY	3	3	3	3	3	3	3	3	3

The list of parts

	Description	
1	Front gable	2
2	Rear gable	1
3	Side wall	1
4	Roof	1
5	Vent	4
6	Door	2
7	Base connector	1
8	Glass panels	1
9	Tools	1
10	Assembly Instruction	1

Contact information

Austria



Belgium



Croatia



Denmark



Estonia



Finland



France



Germany



Ireland



Italy



Latvia



Lithuania



Nederland



Norway



Poland



Portugal



Spain



Sweden



Switzerland



UK

