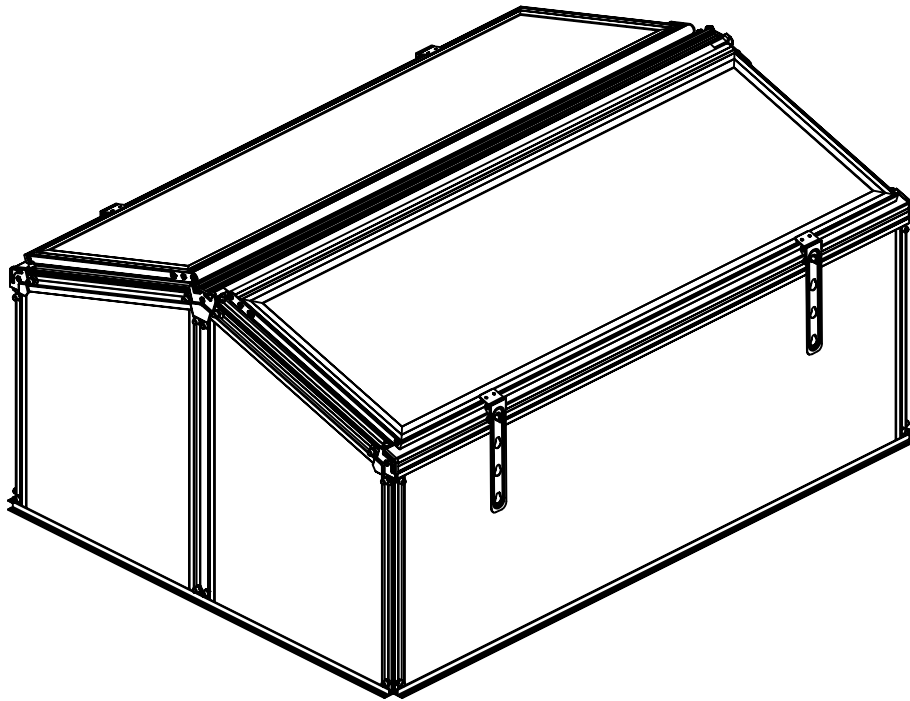


DANCOVER[®]



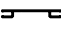








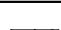
.com


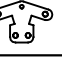




Manual
for
Mini Greenhouse
0,9x1,2x0,57m





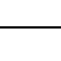
Assembly Instructions





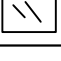

PRODUCT SIZE(LxWxH): 90X120X57CM
PLEASE READ CAREFULLY BEFORE ASSEMBLY

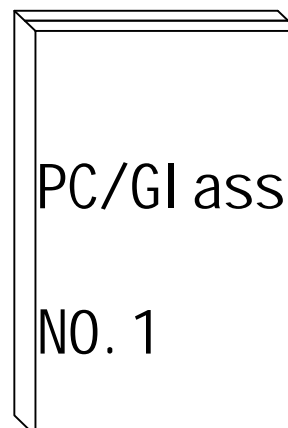
	PART	NO	QTY
1		L01A	4
2		L01B	4
3		L03C	2
4		L06	1
		L07	2
5		L08A	2
		L08B	2
6		L31	2
		L23A	2
7		L20	2
		L19B	2
8		L19A	4

PART	NO	QTY
	D99	4
	D100	2
	D108	4
	S35 M6X10	44
	S37 M6X12	4
	M15 M6	4
	M14 M6	44
	Z15 Ø4X12D	22
	Z03 Ø4X12	16

PART	NO	QTY
	J118	2
	J119L	2
	J119R	2
	J120	4
	A68	4

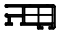
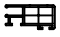
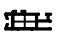









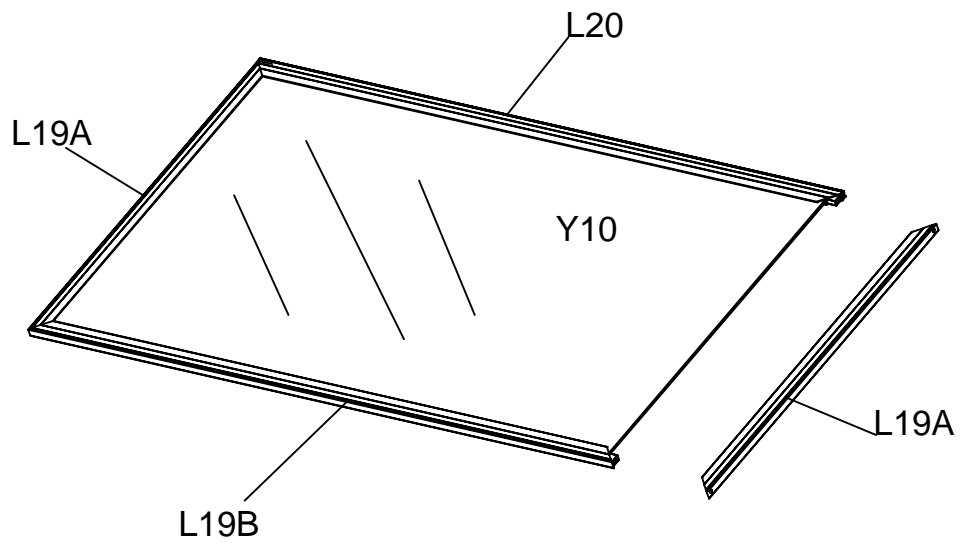
PART	NO	QTY
	Y1	2
	Y2	2
	Y3	2
	Y10	2



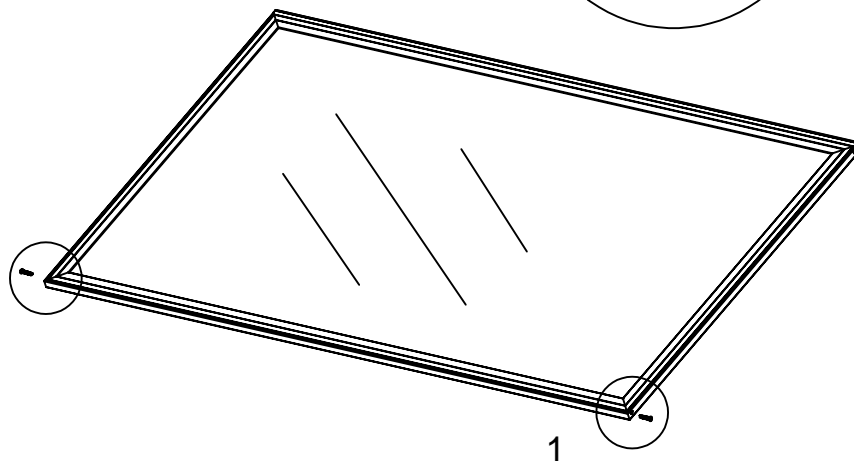
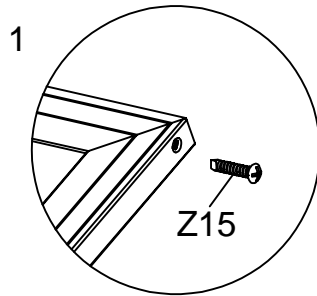
1

window

PART	NO	QTY
	L19A	4
	L19B	2
	L20	2
	L31	2
	L23A	2
	A68	4
	Y10	2
	D108	4
	Z15 Ø4X12D	16
	Z03 Ø4X12	8



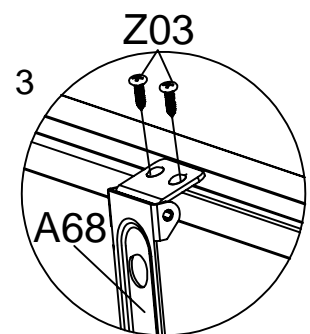
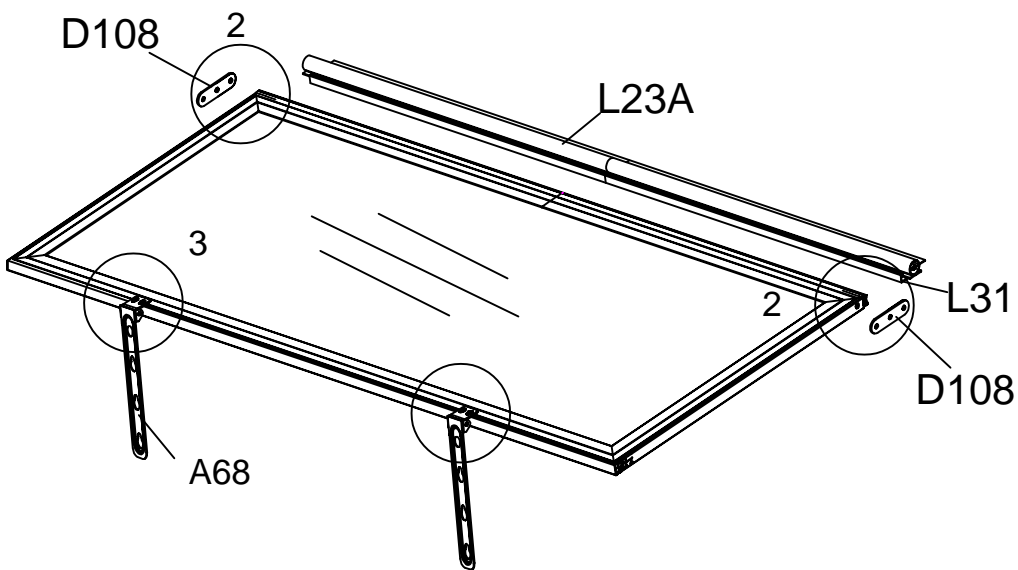
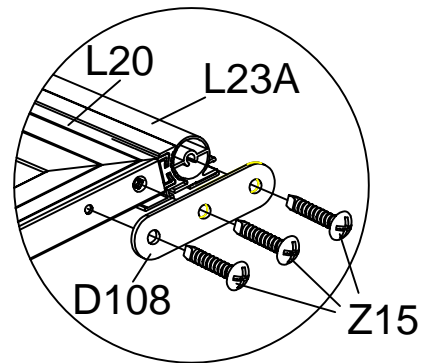
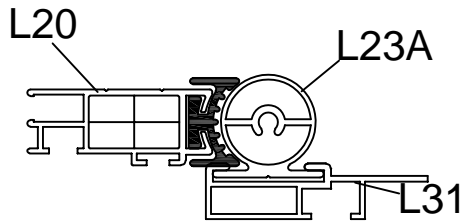
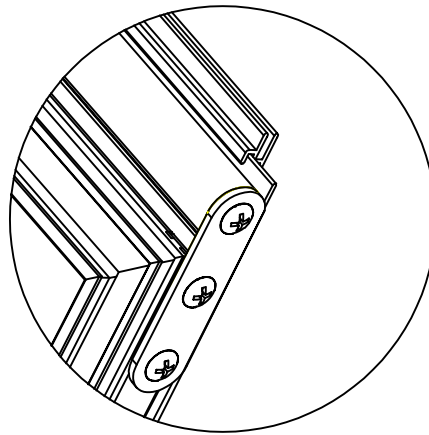
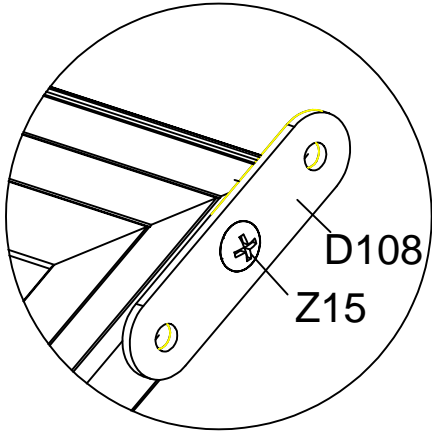
Fix L19A to L20 & L19B using Z15,
then insert the panel Y10 into position.





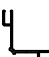
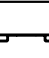


Fix another L19A, using Z15.

Fix L23A & L31 to the window as below, using D108 and Z15.
(L23A & L31 are factory fitted as a part already)

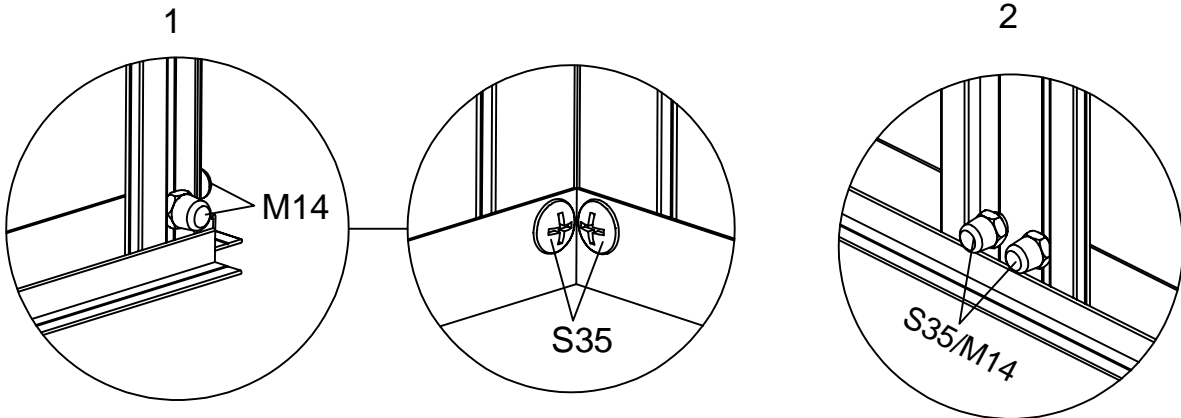
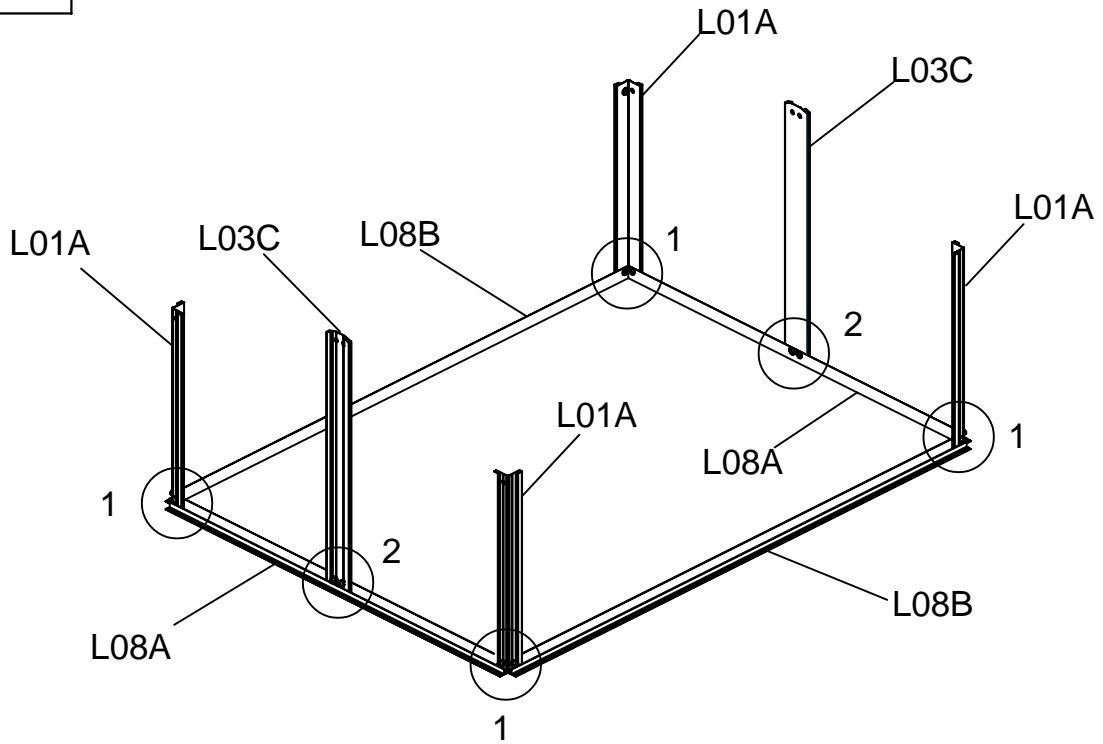
1





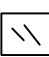



Fix part A68 to L19B, using Z03.

PART	NO	QTY
	L08A	2
	L08B	2
	L01A	4
	L03C	2
	S35	12
	M6X10	
	M14	12
	M6	

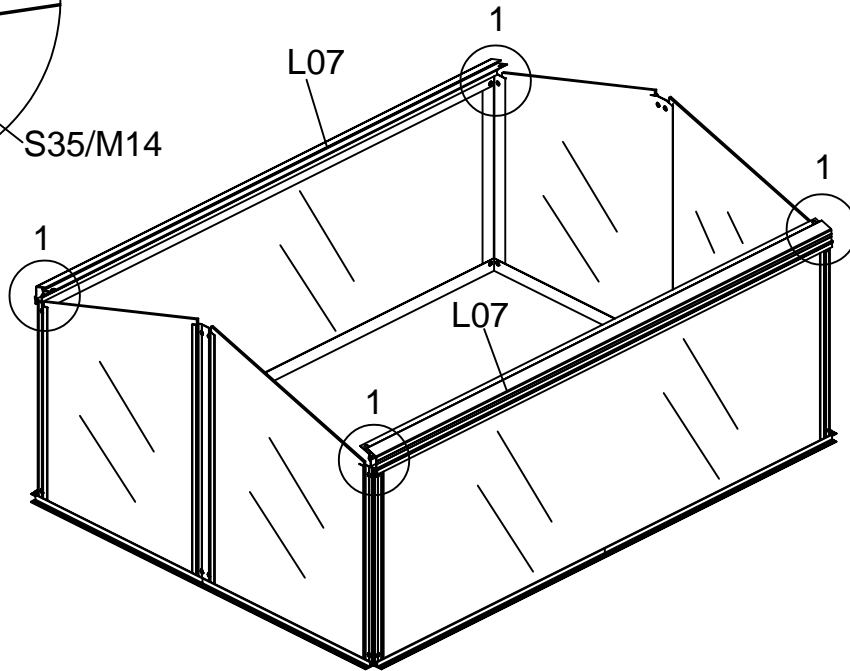
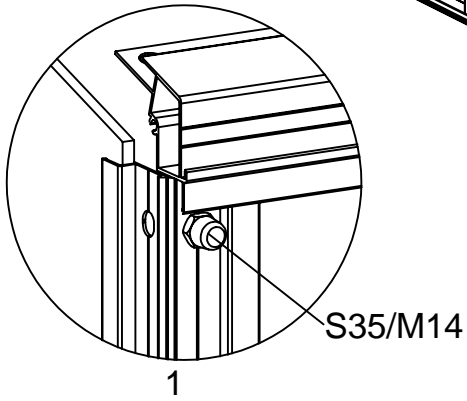
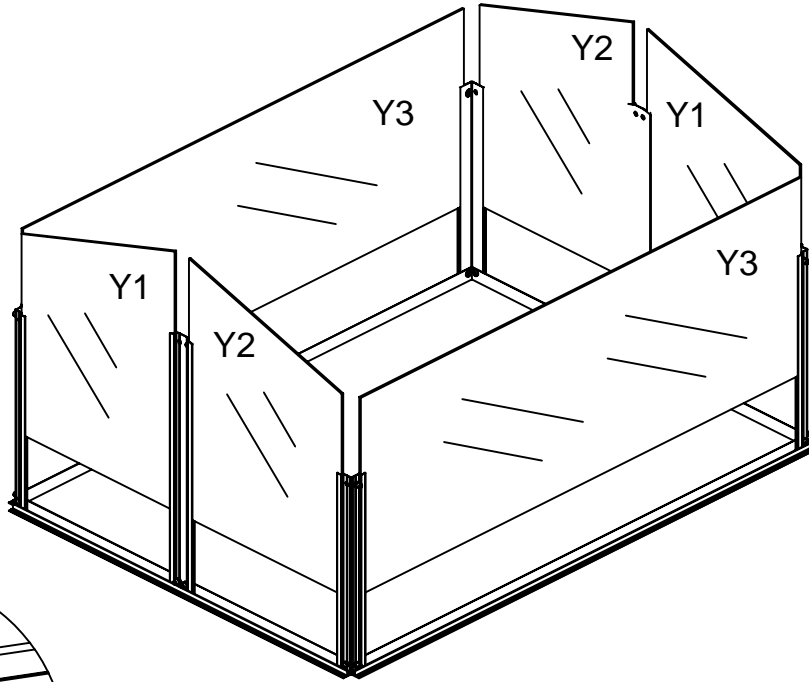
Main frame assembly









Fix all the vertical elements using S35 & M14.

PART	NO	QTY
	Y2	2
	Y1	2
	Y3	2
	L07	2
	S35	4
	M6X10	
	M14	4
	M6	

Put the panels into positions

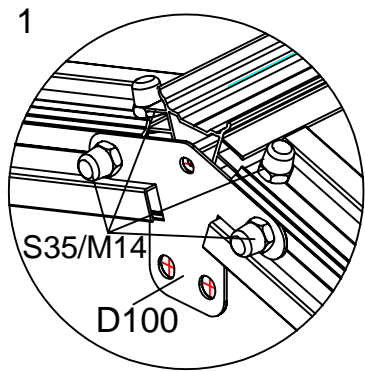
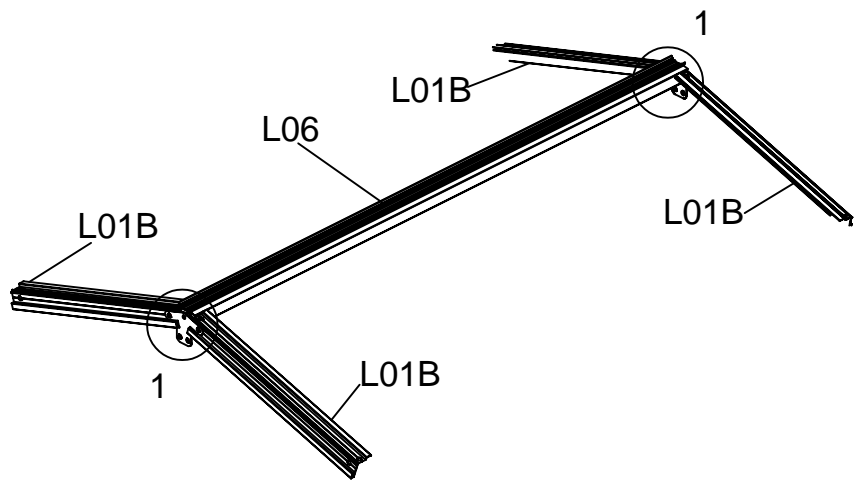


Fix L07 to L01A, using S35 & M14.

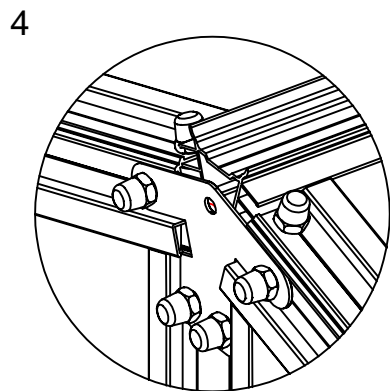
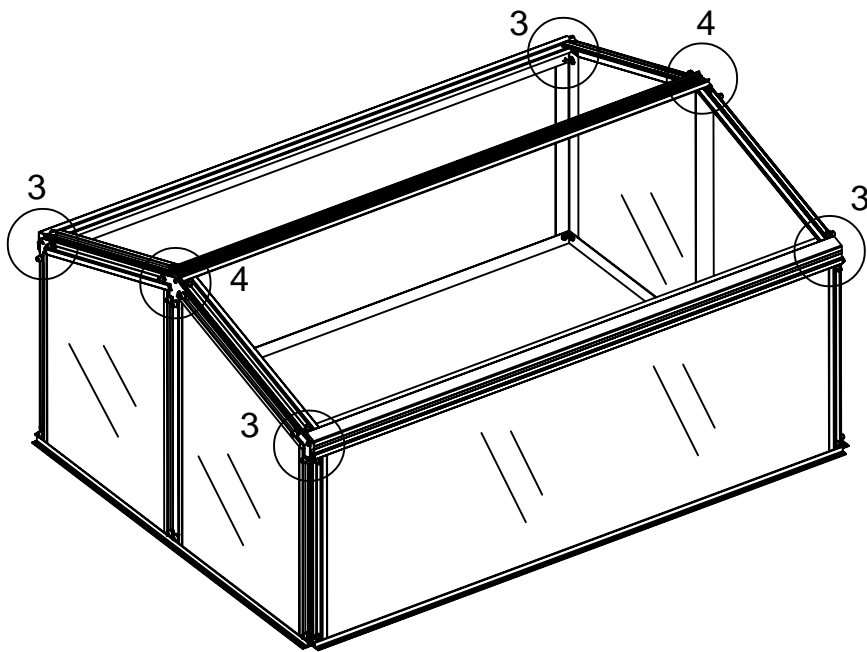
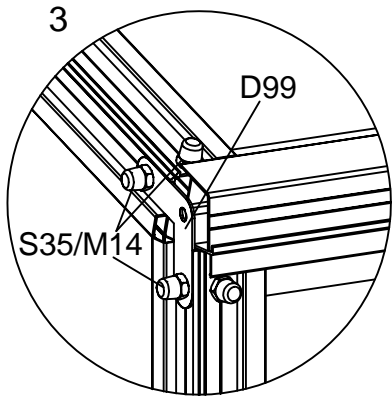
PART	NO	QTY
	L06	1
	L01B	4
	D99	4
	D100	2
	S35	28
	M6X10	
	M14	28
	M6	




Roof Assembly

Fix L01B to L06, using plate D100 and S35 & M14.

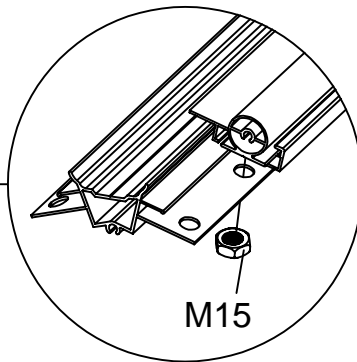
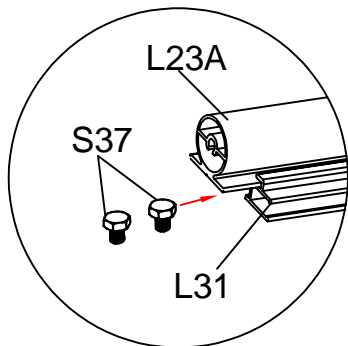
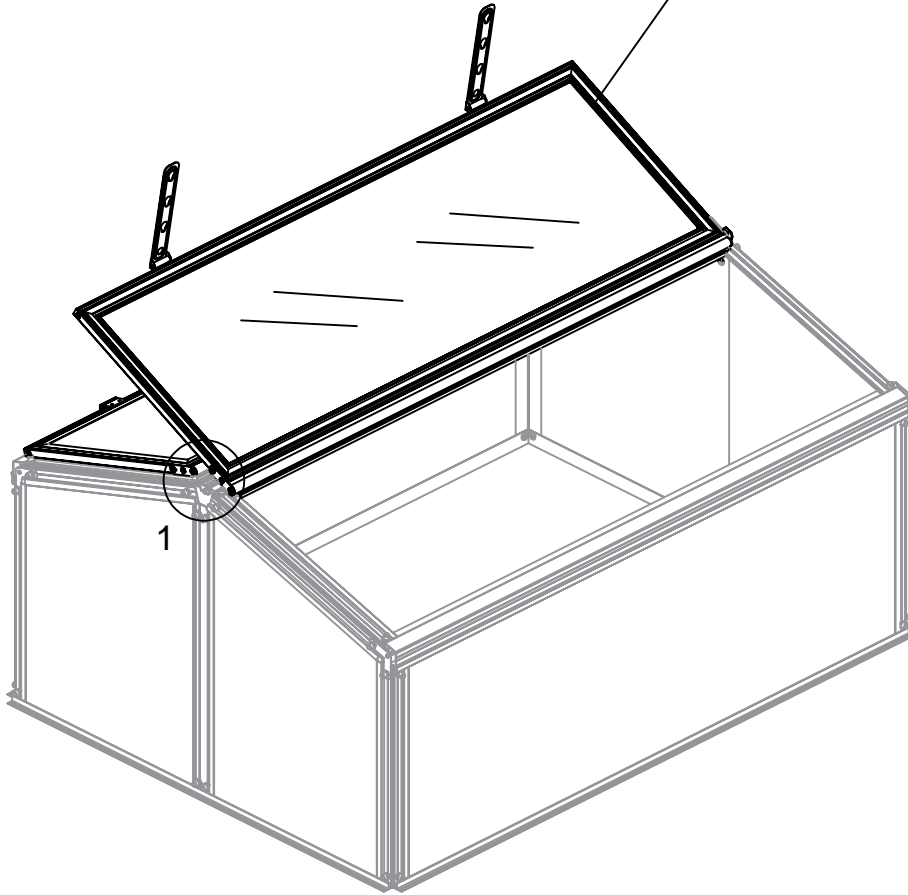


Fix L01B to L01A, using plate D99 and S35 & M14.









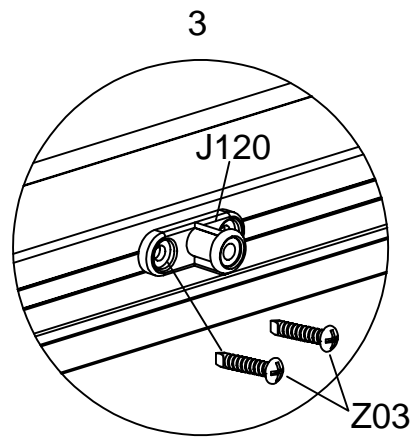
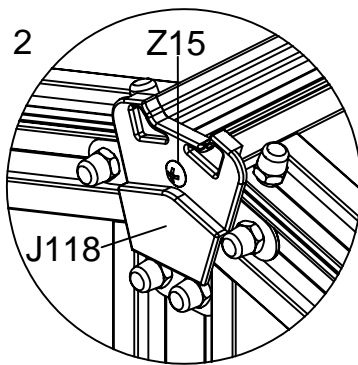
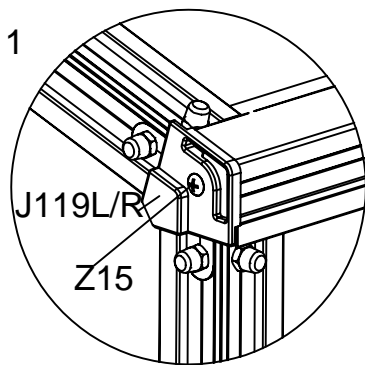
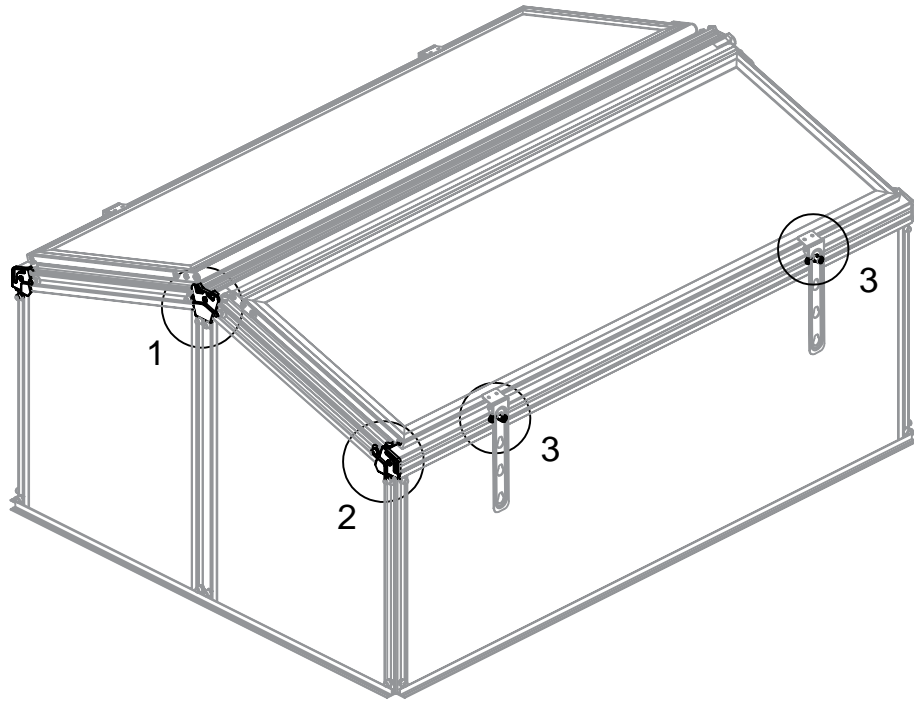
PART	NO	QTY
	window	2
	S37	4
	M6X12	
	M15	4
	M6	

When fixing the window to the roof, open it up fully as shown for easy assembly.



Slide 2 * S37 into the channel of L31 to fix it to L06 using M15.

PART	NO	QTY
	J118	2
	J119L	2
	J119R	2
	J120	4
	Z03	8
	Ø4X12	
	Z15	6
	Ø4X12D	



Fix the cover J118 and J119L/R, using Z15.

Fix J120 to L07, using Z03.

Contact information

Head office:

Dancover A/S
Lyngevej 16A, Nørre Herlev
3400 Hillerød
Denmark

For more information
please visit:

www.dancovershop.com

National contact

Denmark:

denmark@dancover.com

UK:

uk@dancover.com

Germany:

germany@dancover.com

France:

france@dancover.com

Sweden:

sverige@dancover.com

Finland:

suomi@dancover.com

Poland:

polska@dancover.com

Luxembourg:

luxembourg@dancover.com

Portugal:

portugal@dancover.com

Spain:

espana@dancover.com

Italy:

italia@dancover.com

Switzerland:

schweiz@dancover.com

Austria:

austria@dancover.com

Norway:

norge@dancover.com

Nederland:

nederland@dancover.com

Ireland:

ireland@dancover.com

Belgium:

belgique@dancover.com