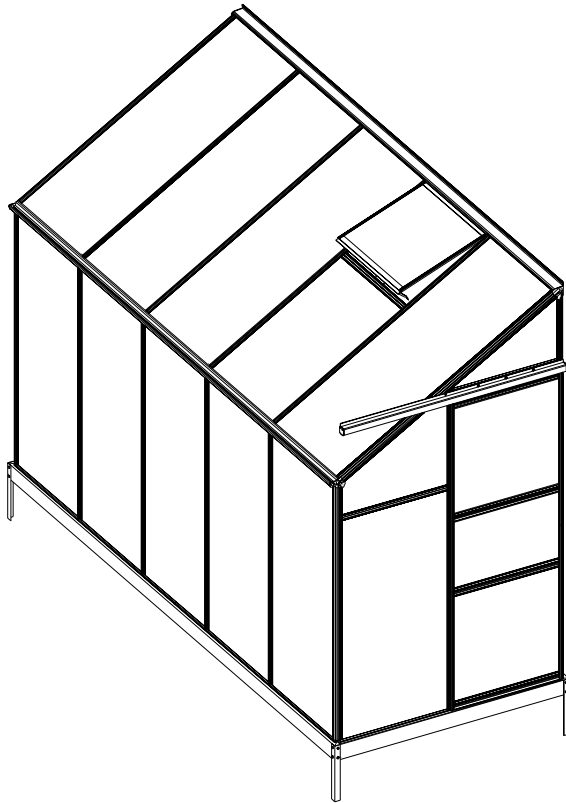


DANCOVER[®]

.com

Manual
for
Greenhouse Lean-to
1,27x3,04x2,12m

Assembly Instructions



PRODUCT SIZE(LxWxH):304X127X212CM
PLEASE READ CAREFULLY BEFORE ASSEMBLY

Safety Warning & Advice

KEEP WORKING AREA CLEAN AND DRY

A cluttered, damp or wet working area may cause injuries.

PREPARE A FLAT AND LEVEL BASE

Make sure your greenhouse is located on a flat and level surface.

DO NOT INSTALL THE GREENHOUSE ON A WINDY DAY OR IN AN AREA SUBJECT TO HIGH WINDS

Although this greenhouse is designed to withstand greater wind loads than many other greenhouses, do not install it in on a windy day or in an area which is subject to high winds. A partially completed greenhouse may be seriously damaged if it is left in this state. It is your responsibility to safely and securely anchor the greenhouse, having regard to wind conditions in your area.

POLYCARBONATE SHEET

Remove approximately 2 inches of film from all sheet edges before installing and remove all film immediately after the construction is completed. Please ensure that the side with the white film faces outwards.

CHECK PARTS BEFORE ASSEMBLY

All parts have been well labelled. Please sort, separate and identify all components before construction and check against the parts list in this manual.

WARNING

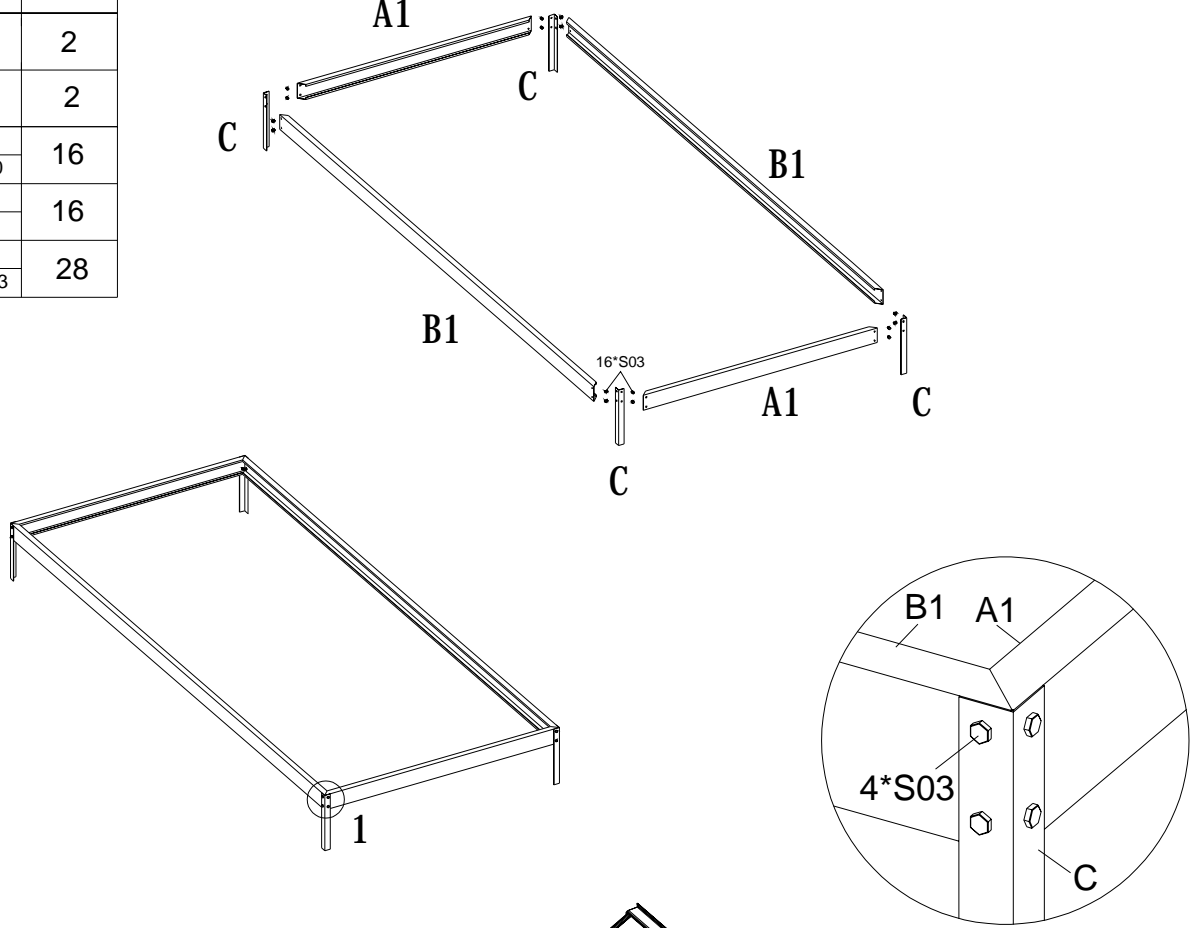
Do not install this product when you are tired or distracted from the job at hand. We recommend that you use gloves during assembly.

POWERED SCREWDRIVER RECOMMENDED

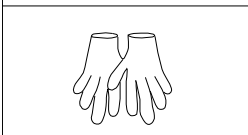
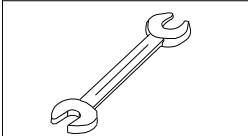
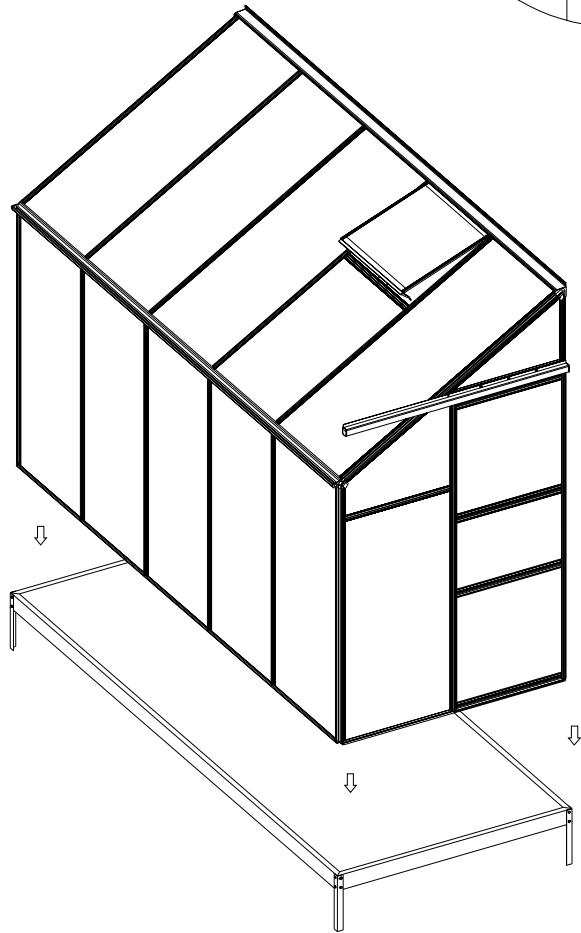
This quality greenhouse features self-tapping screws to provide strong joints. As the name suggests, the screws tap their own thread. Driving in self-tapping screws requires more force than conventional screws. A powered screwdriver is therefore recommended.

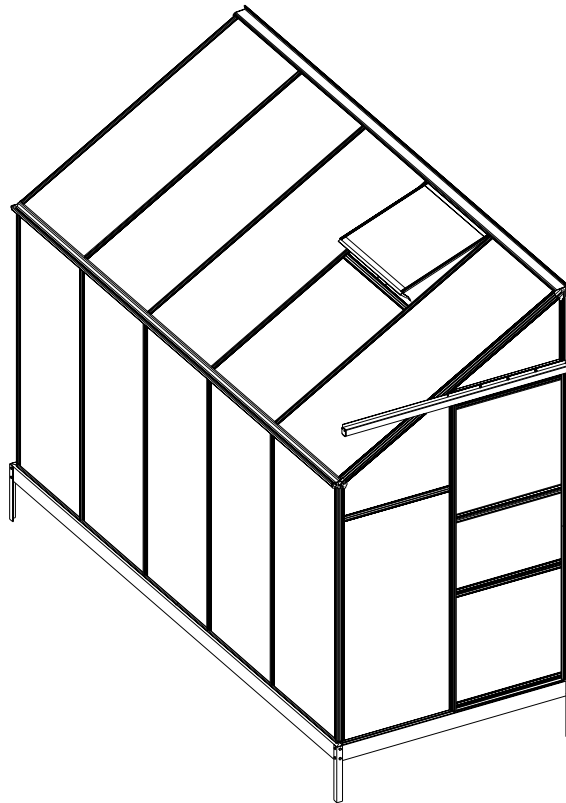
PART	NO	QTY
L	C	4
┌	A1	2
└	B1	2
🔩	S03 M6X10	16
	M01 M6	16
🔧	Z27 M4.2X13	28

Base Assembly

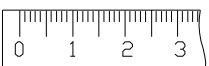
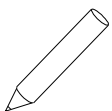
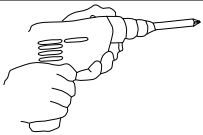
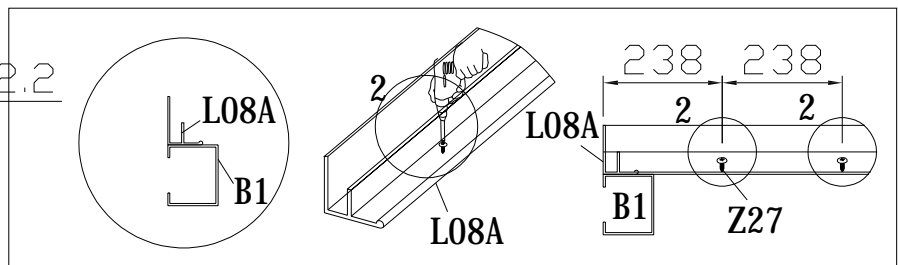
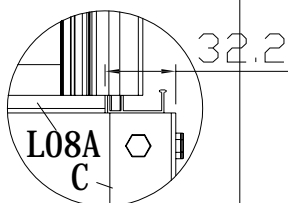
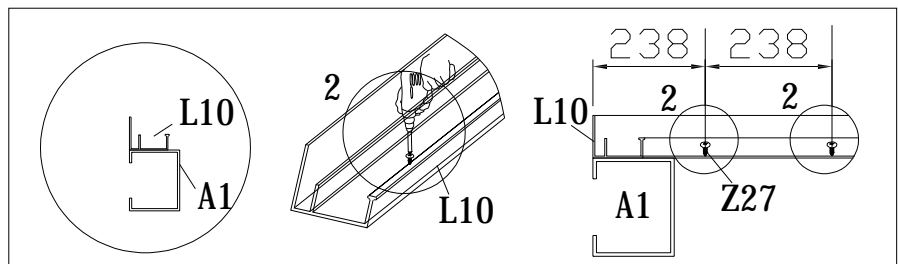
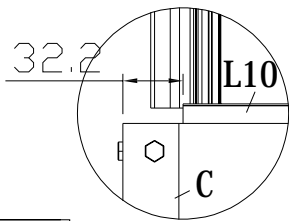
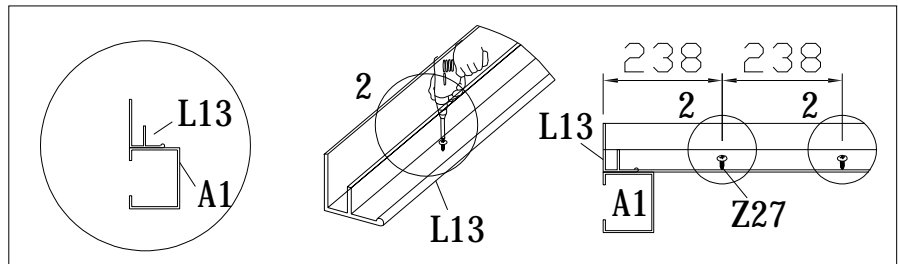
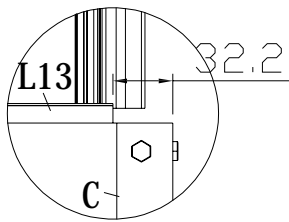


Fixing the greenhouse to the base is recommended. It is best to do this at the end, after the greenhouse has been fully assembled.



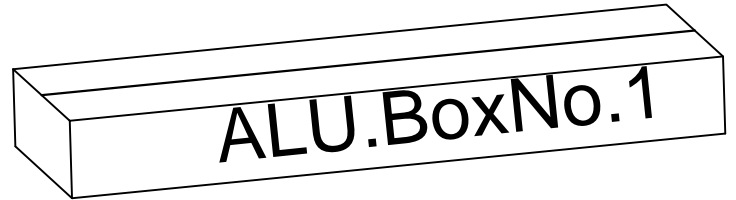


Use a powered screwdriver to fix the self-tapping screws (Z27) through the cills (L08A, L10 and L13) and base plinth (A1 and B1). The screws should be evenly spaced to ensure a neat appearance. The recommended spacing of the screws is 238mm. You can mark the painted surfaces with a pencil.



	PART	NO	QTY
1		L06	1
		L07	1
2		L08A	2
		L09	1
		L12A	2
3		L01C	1
		L01D	1

PART	NO	QTY
	C	4
	A1	2
	B1	2



	PART	NO	QTY
1		L01A	1
		L01B	1
		L03B	1
		L04A	1
		L05B	1
		L10	1
		L11	1
		L14	1

	PART	NO	QTY
3		L15	1
		L16	2
		L17	1
		L18	2

PART	NO	QTY
	D57	2
	D60	2
	A01	1
	A03	1
	J48R	1
	J48L	1
	J46R	1
	J46L	1
	J47	2
	S03 M6X10	35+2
	M01 M6	35+2
	S28 M4X10	2
	M02 M4	2
	Z27 M4.2X13	103+5

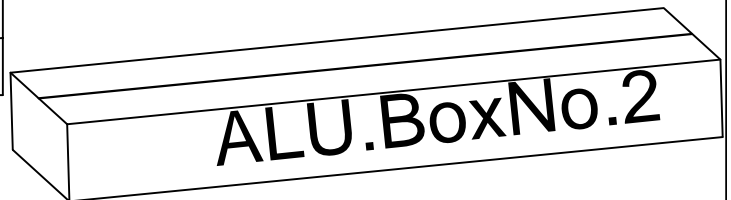
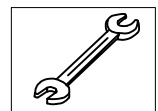
PART	NO	QTY
	S01 M6X10	16
	M01 M6	16
	Z01 M4.2X13	28

	PART	NO	QTY
2		L01A	1
		L01B	1
		L03B	3
		L04B	1
		L05A	1
		L13	1

	PART	NO	QTY
4		L19	2
		L20	1
		L21	1
		L03B	1

	PART	NO	QTY
5		L02A	4
		L02B	2
		L02C	1
		L02D	1

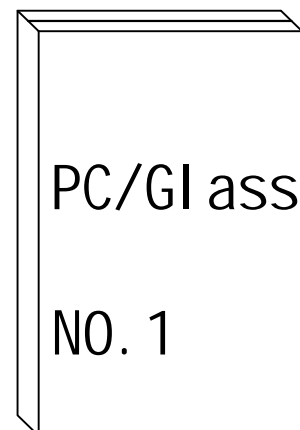
Tools Provided:




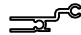






PART	NO	QTY
	Y1	1
	Y2	3
	Y4	1
	Y5	1
	Y6	5
	Y7	4

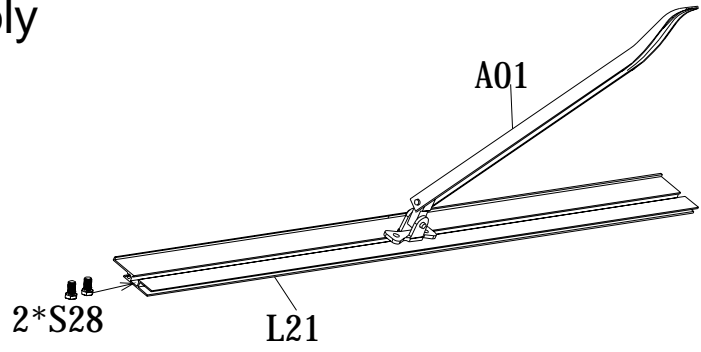
PART	NO	QTY
	Y8	1
	Y9	1
	Y10	1
	Y11	1
	Y12	2
	Y13	1

3

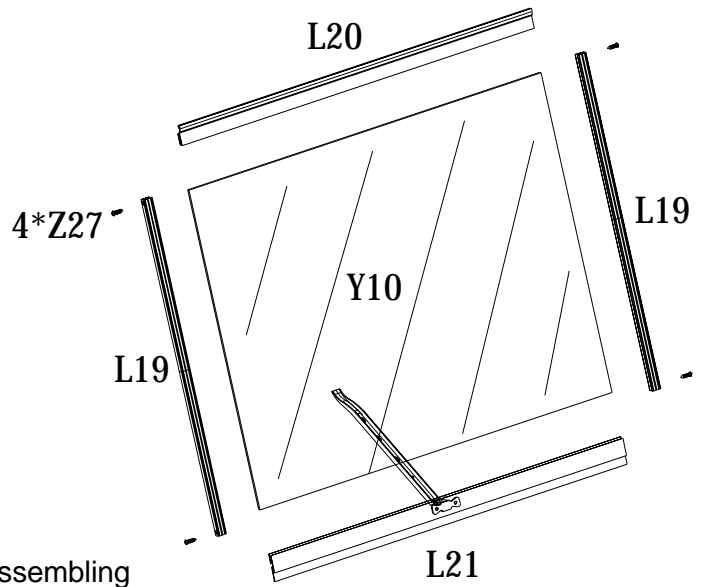
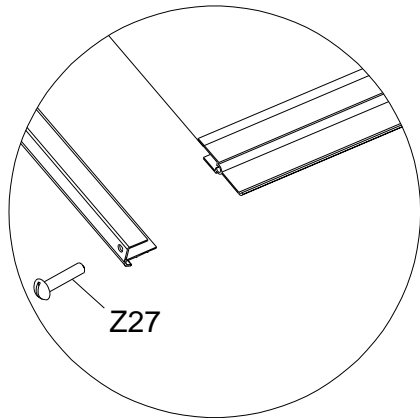
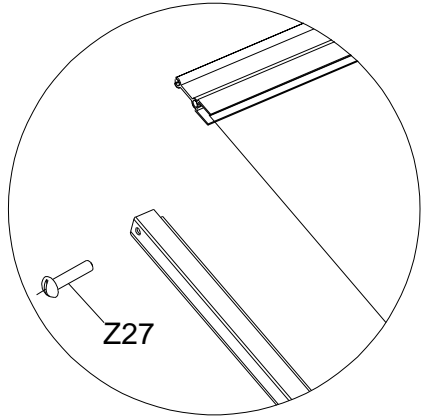


Vent Assembly

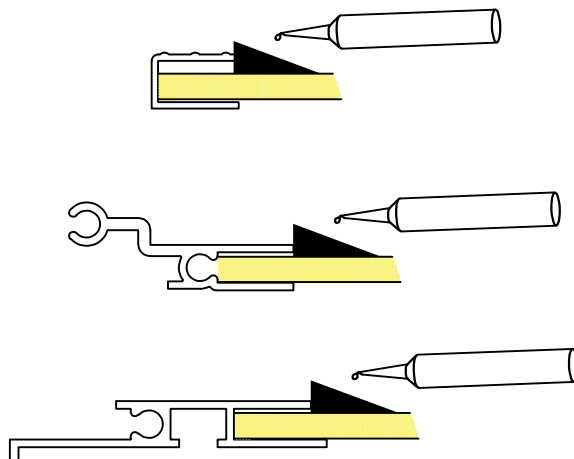
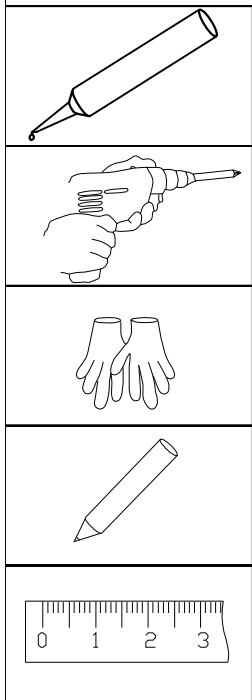
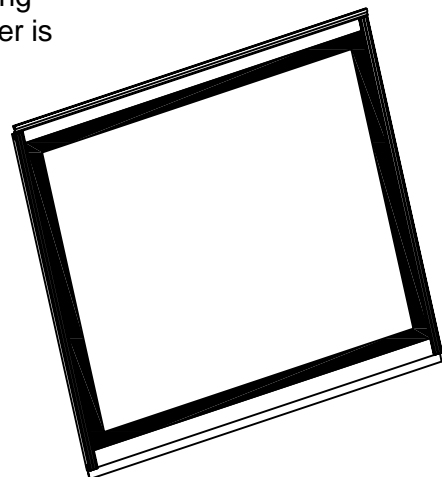
PART	NO	QTY
	L19	2
	L20	1
	L21	1
	A01	1
	Z27 M4.2X13	4
	Y10	1
	S28 M4X10	2
	M02 M4	2








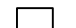
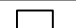
Slide 2 bolts (S28) into the bolt channel (L21) and fix the handle (A01) in the middle



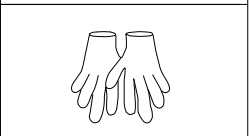
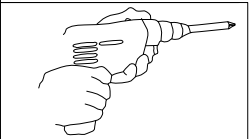
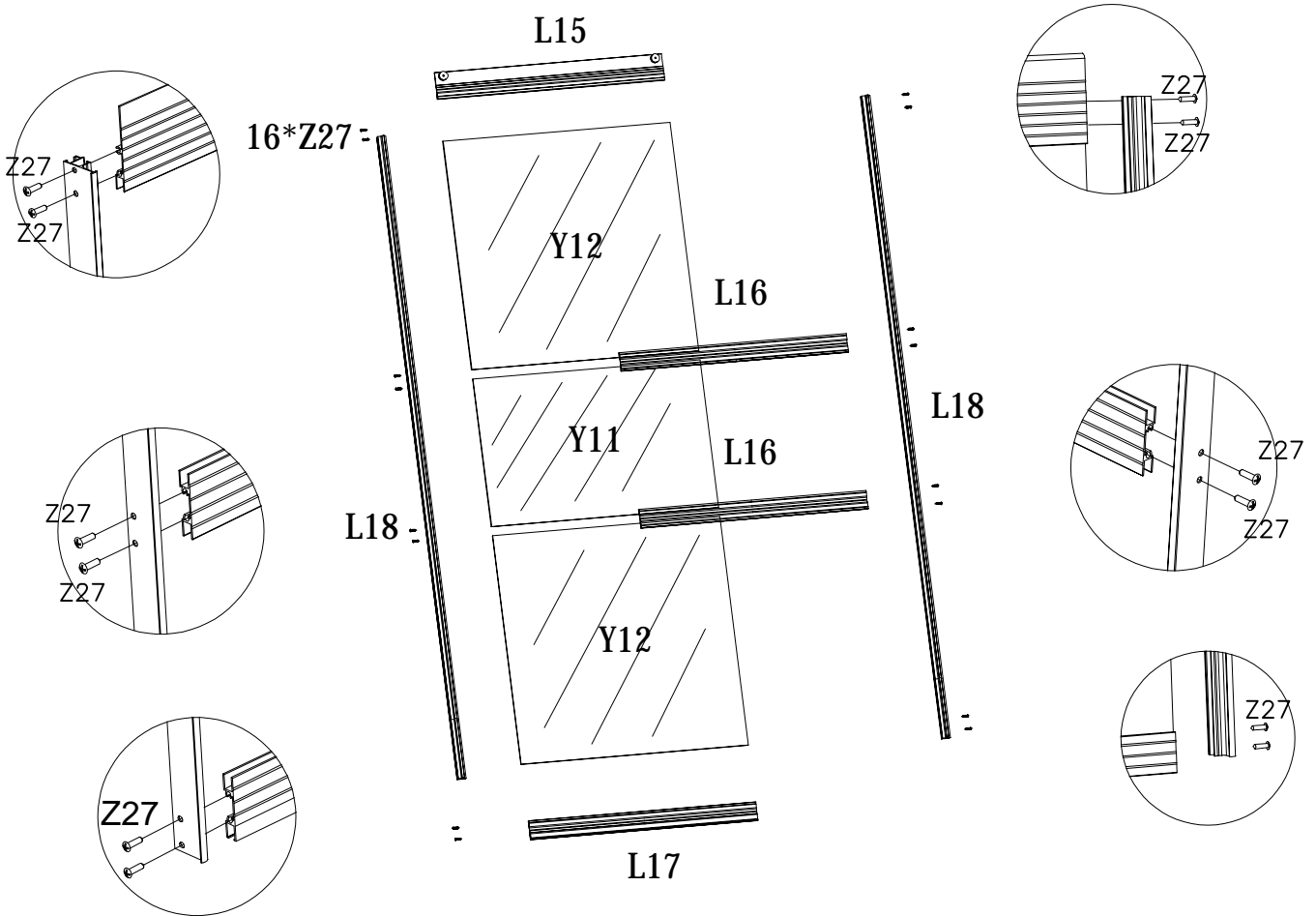
We recommend assembling the vent after you have finished assembling the walls. The screws are self-tapping and a powered screwdriver is recommended.

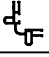
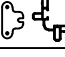
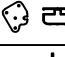
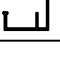



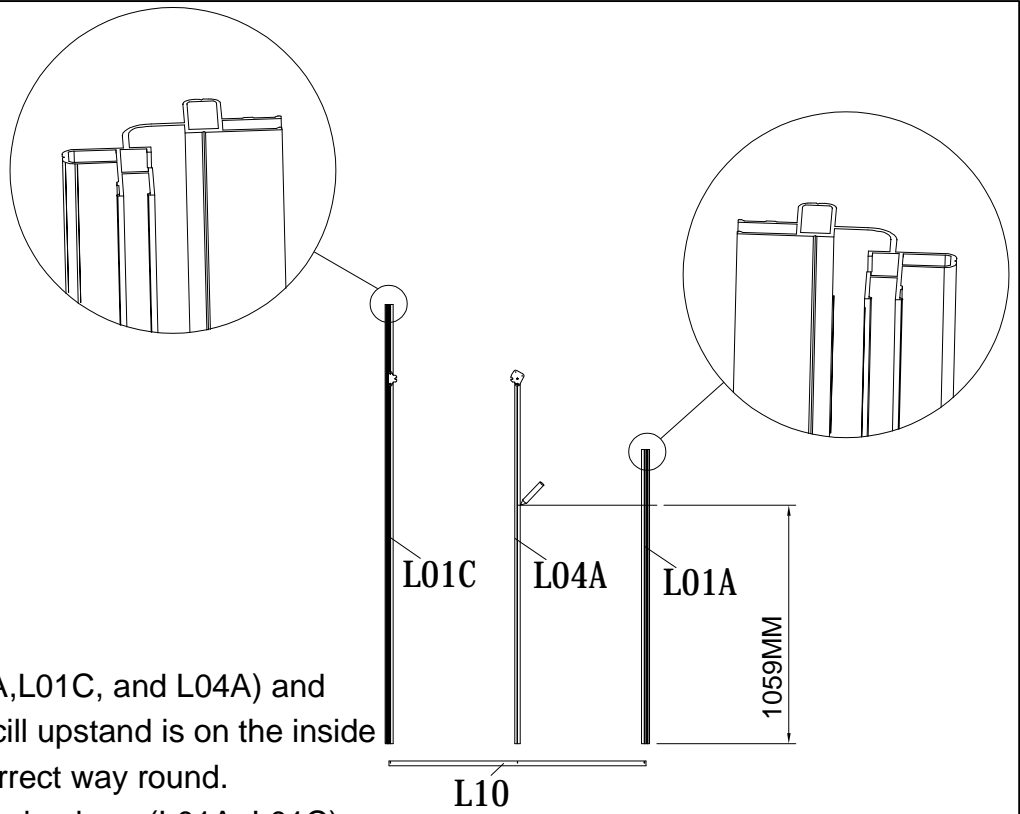
Apply some silicone sealant in the position shown to avoid any water leaking.

PART	NO	QTY
	L15	1
	L16	2
	L17	1
	L18	2
	Z27 M4.2X13	16
	Y11	1
	Y12	2

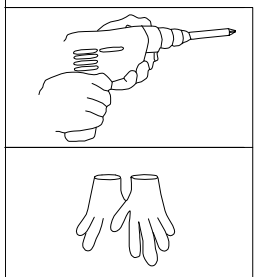
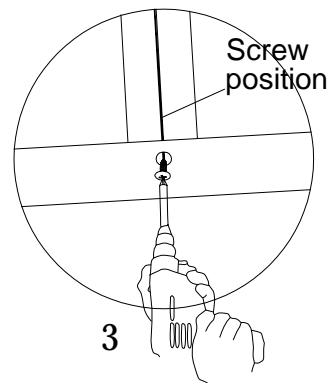
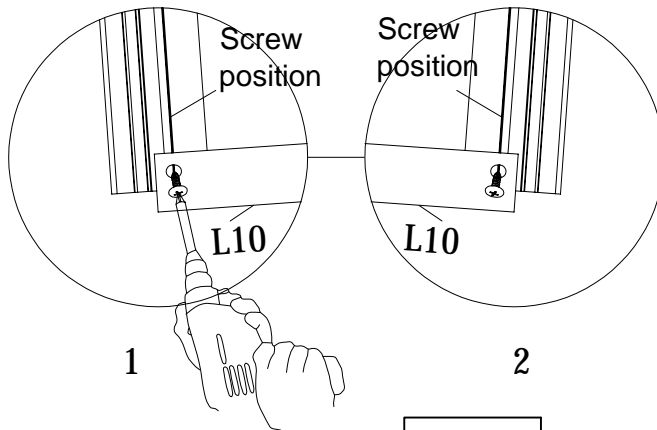
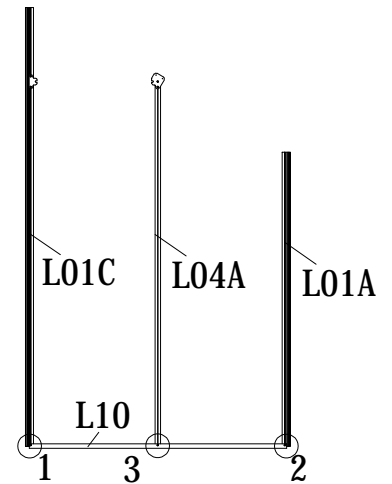
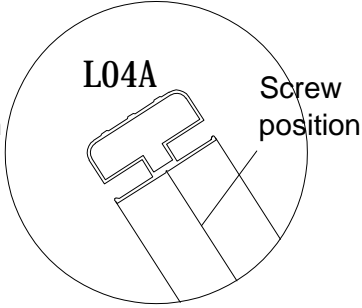
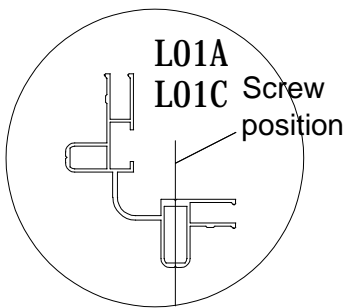
Door Assembly

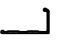

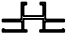




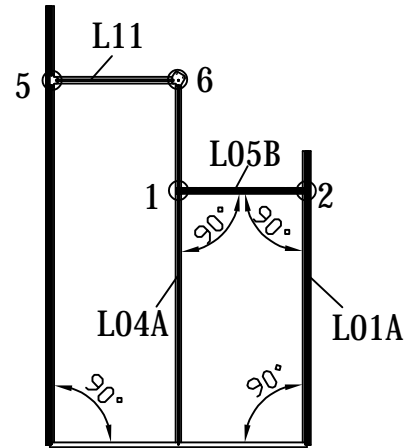
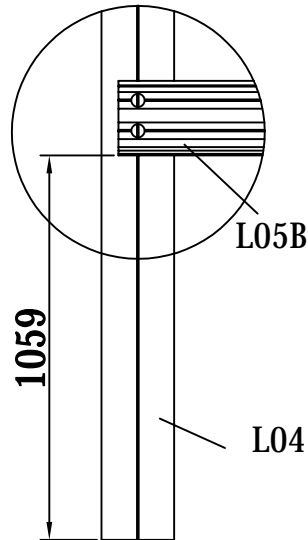
PART	NO	QTY
	L01A	1
	L01C	1
	L04A	1
	L10	1
	Z27	3
	M4.2X13	



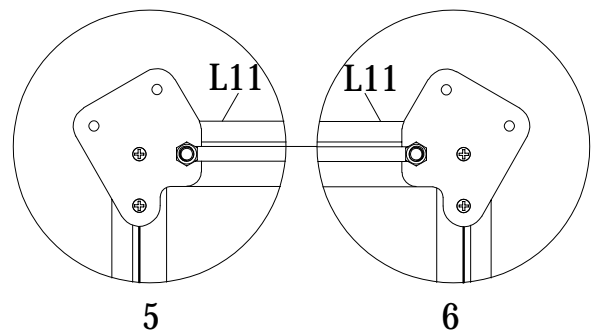
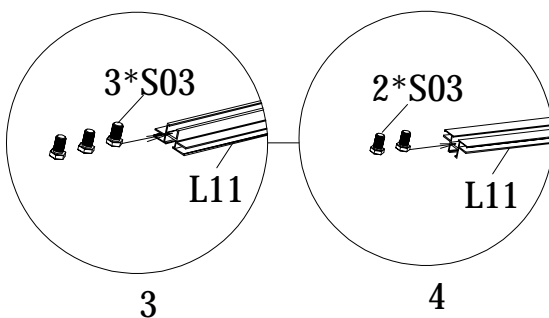
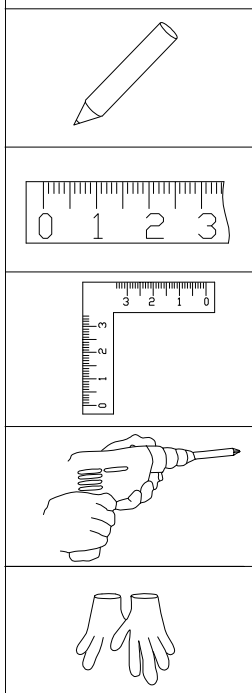
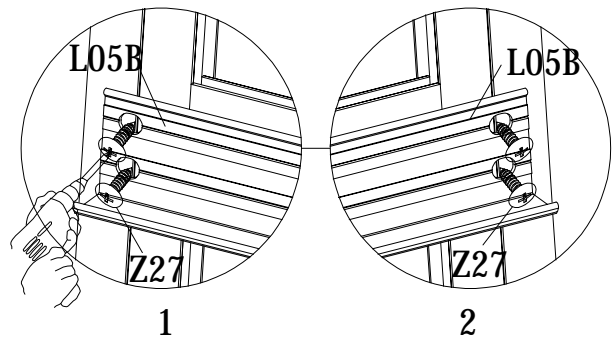
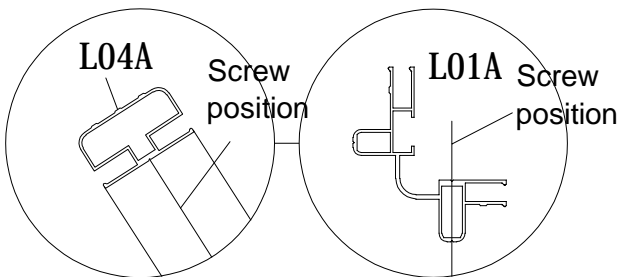
1. Lay out the glazing bars (L01A, L01C, and L04A) and the cill (L10). Ensure that the cill upstand is on the inside and that L01A&L01C is the correct way round.
2. Make a pencil mark on the glazing bars (L01A, L01C) at a height of 1059mm from the bottom. This will help later when fitting part L05B.
3. Fix the glazing bars (L01A, L01C, and L04A) to the cill (L10) with the self-tapping screws (Z27) using a powered screwdriver. The inside of the glazing bars feature guide lines which indicate the correct screw positions (see detail drawings below). Be careful to ensure that the screws are in the correct position (see detail drawings below).

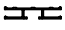


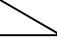




PART	NO	QTY
	L05B	1
	Z27 M4.2X13	4
	L11	1
	S03 M6X10	5
	M01 M6X10	2

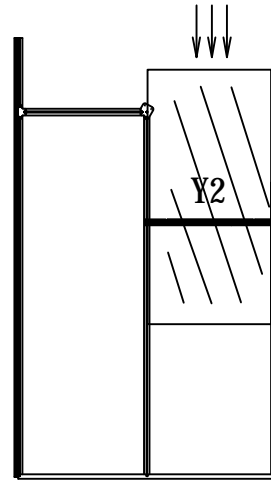


1. Fix 1 x L05B to L01A and L04A with the self-tapping screws (Z27) using a powered screwdriver. Ensure that L05B is fixed at a right angle (90 degrees) to the glazing bars (L01A and L04A).
2. Slide 2 bolts (S03) into the inside L11 bolt channel and fix L11 to L04A and L01C (see Figure 4, Figure 5 and Figure 6). Slide 3 bolts (S03) into the external L11 bolt channel (see Figure 3). This will help later when fitting part L14.
3. Part W02 is factory fitted to glazing bars L04A.

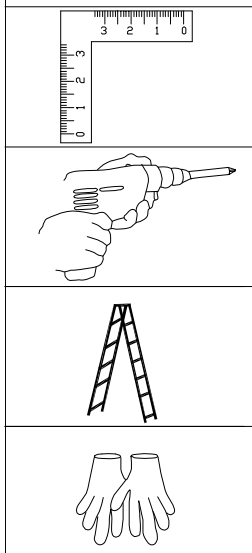
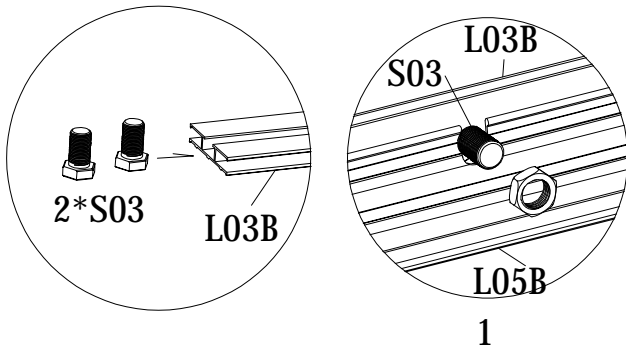
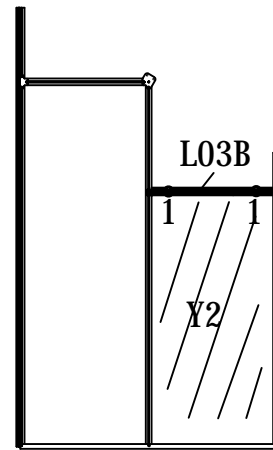


PART	NO	QTY
	L03B	1
	Y1	1
	Y2	1
	Y13	1
	S03 M6X10	2
	M01 M6X10	2

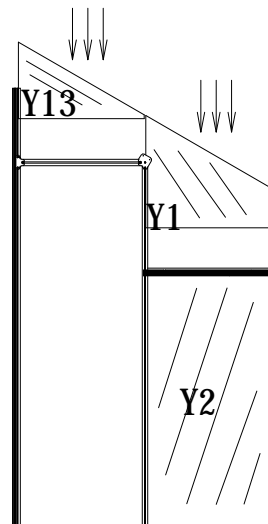
Slide the lower glazing panels (Y2) into position.







Slide 2 bolts (S03) into the inside L03B bolt channel and fix L03B to L05B.

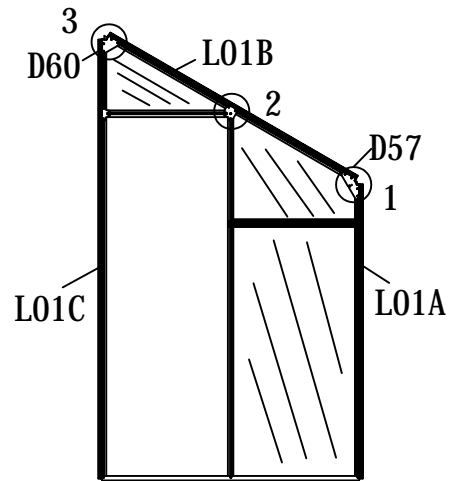


Slide the higher glazing panels (Y1 and Y13) into position.

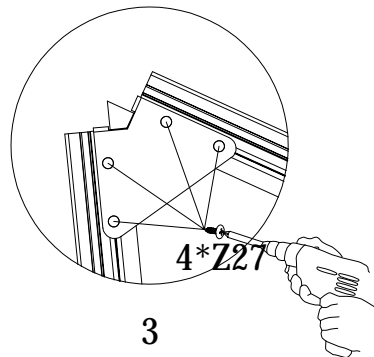
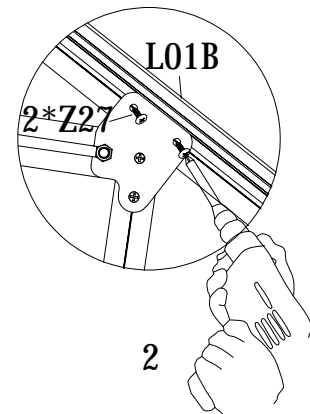
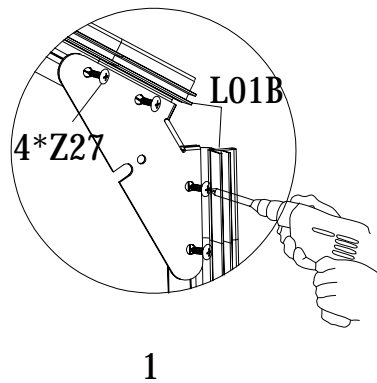
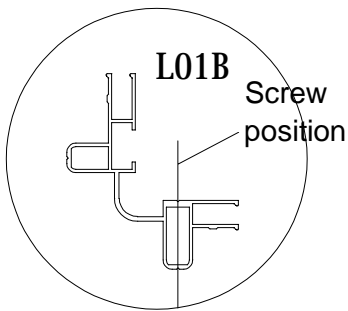


PART	NO	QTY
	L01B	1
	Z27 M4.2X13	10
	D57	1
	D60	1

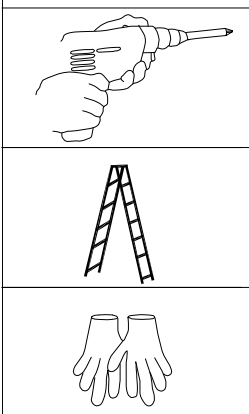
Front Wall

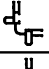
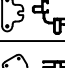





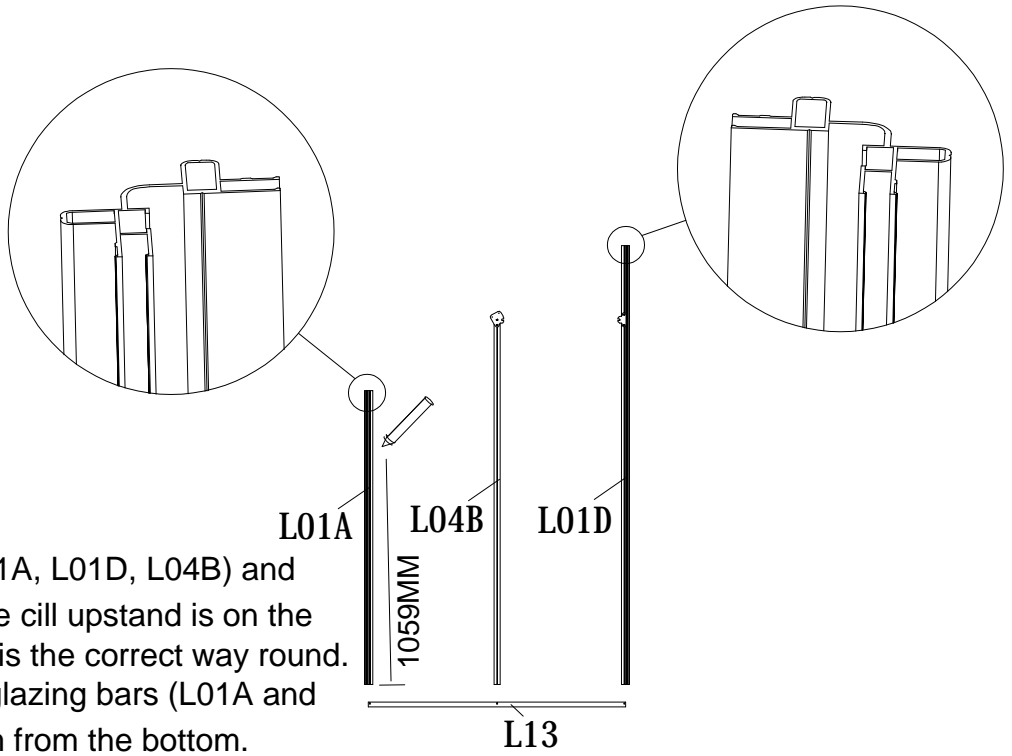
Fix L01B to L01A, L01C and L04A using the D57 and D60 angled plates fixed with self-tapping screws (Z27) using a powered screwdriver. The inside of the glazing bars feature guide lines which indicate Be careful to ensure that the screws are in the correct position (see detail drawings below).



Do not tight up the screws before L01B is in the right position.



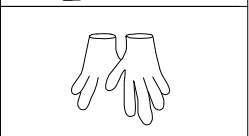
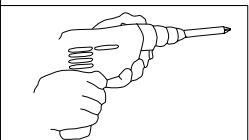
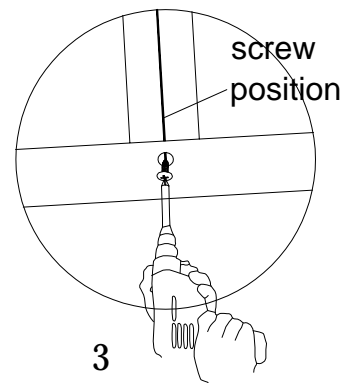
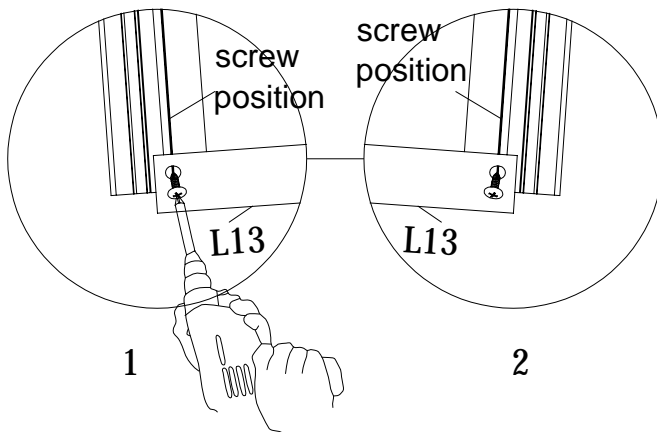
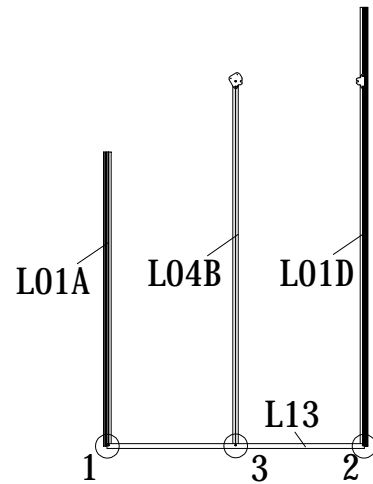
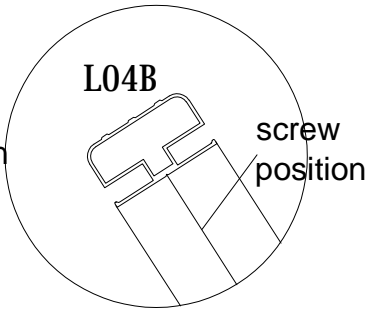
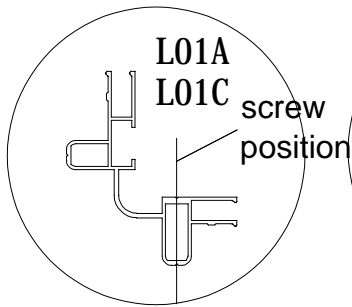
PART	NO	QTY
	L01A	1
	L01D	1
	L04B	1
	L13	1
	Z27 M4.2X13	3



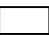


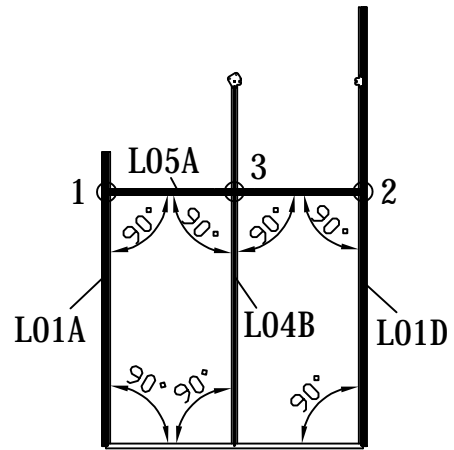
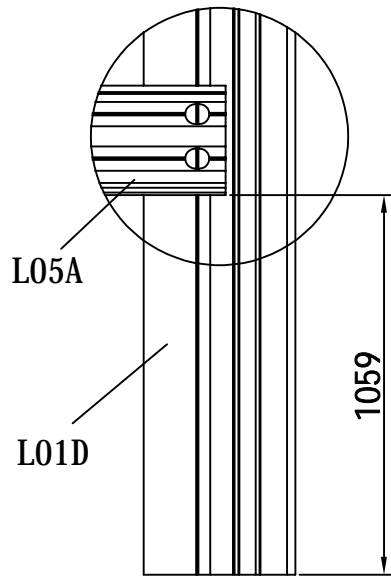
1. Lay out the glazing bars (L01A, L01D, L04B) and the cill (L13). Ensure that the cill upstand is on the inside and that L01A&L01D is the correct way round.
2. Make a pencil mark on the glazing bars (L01A and L04B) at a height of 1059mm from the bottom.

This will help later when fitting part L05A.

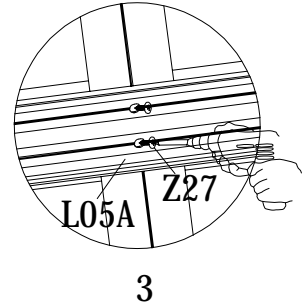
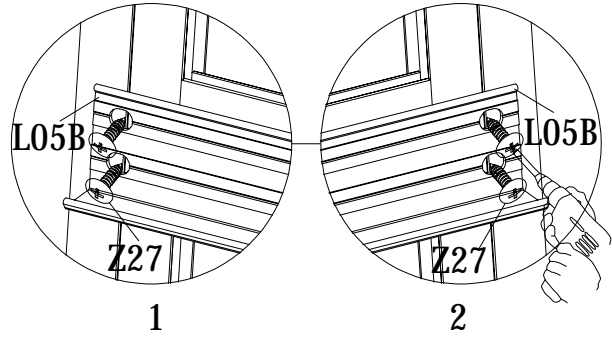
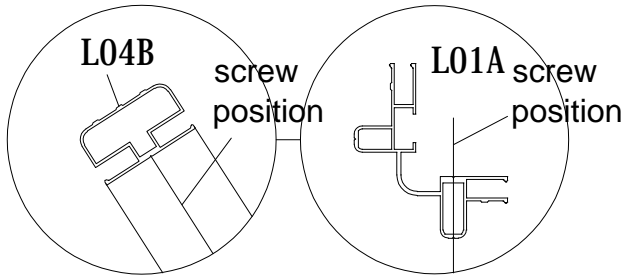
3. Fix the glazing bars (L01A, L01C, and L04B) to the cill (L13) with the self-tapping screws (Z27) using a powered screwdriver. The inside of the glazing bars feature guide lines which indicate the correct screw positions (see detail drawings below). Be careful to ensure that the screws are in the correct position (see detail drawings below).



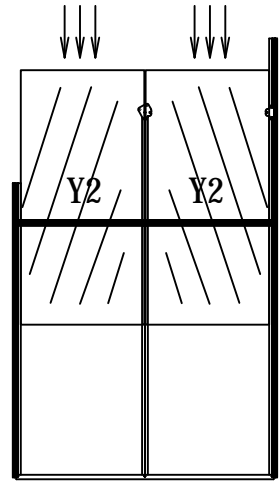
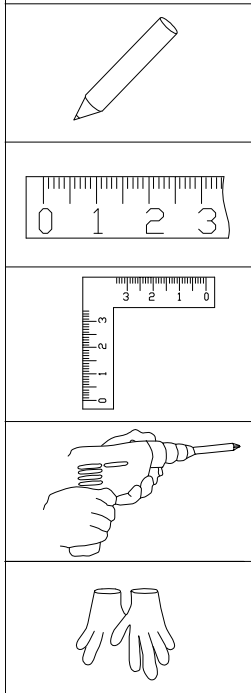
PART	NO	QTY
	L05A	1
	Z27 M4.2X13	6
	Y2	2

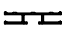
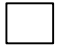




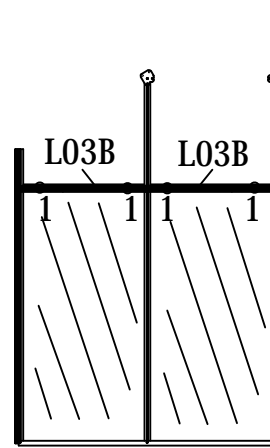
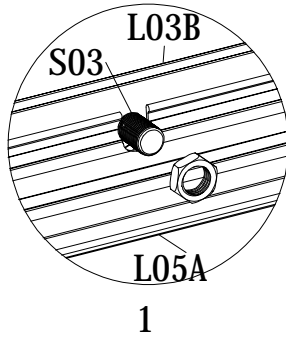
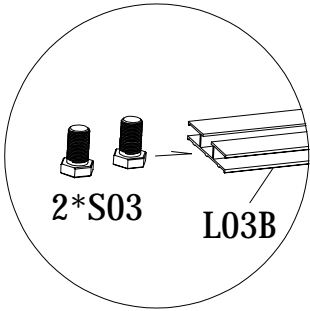
1. Fix the horizontal brace (L05A) to the glazing bars (L01A, L01D and L04B) with the self-tapping screws (Z27) using a powered screwdriver. Ensure that L05A is fixed at a right angle (90 degrees) to the glazing bars.



2. Slide the lower glazing panels (Y2) into position.



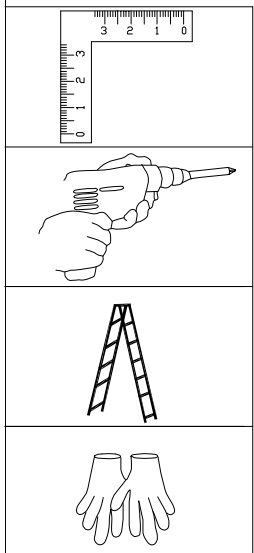
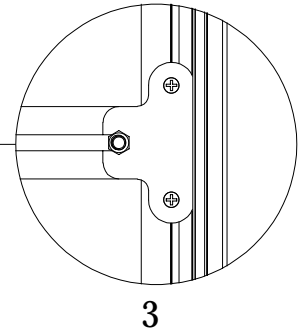
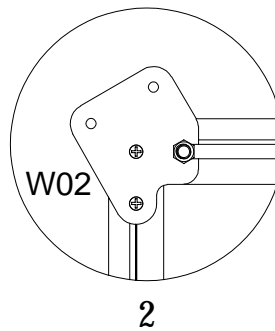
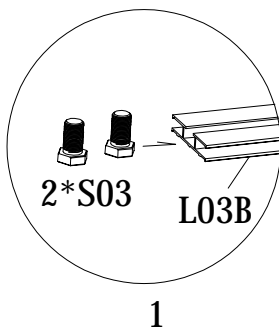
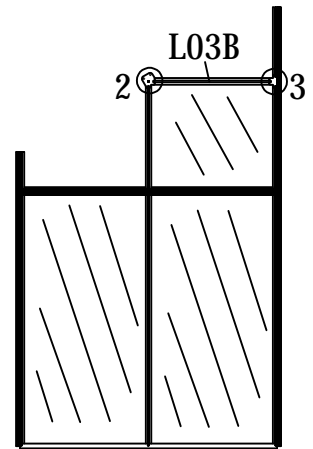
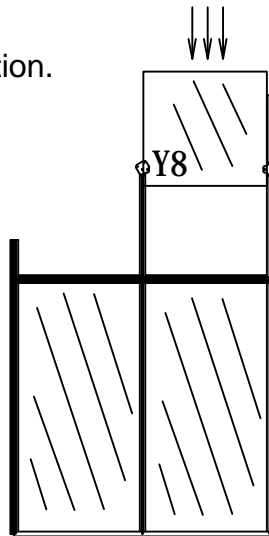
PART	NO	QTY
	L03B	3
	Y8	1
	S03	6
	M6X10	
	M01	6
	M6X10	





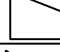
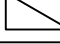


1. Slide 2 bolts (S03) into the inside each L03B bolt channel and fix L03B to L05A.

2. Slide the higher glazing panels (Y8) into position.

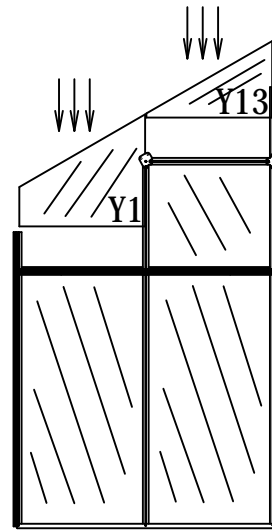
3. Slide 2 bolts (S03) into the inside L03B bolt channel and fix L03B to L01D and L04B.



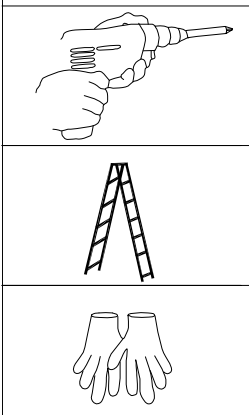
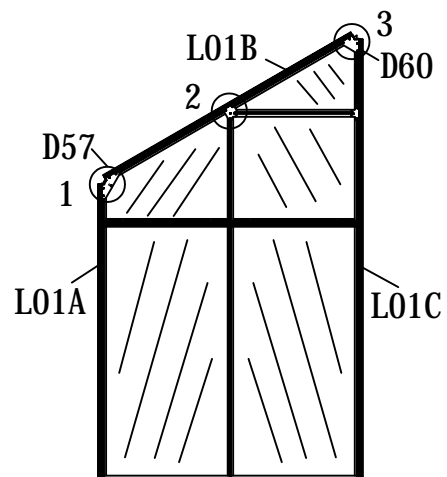
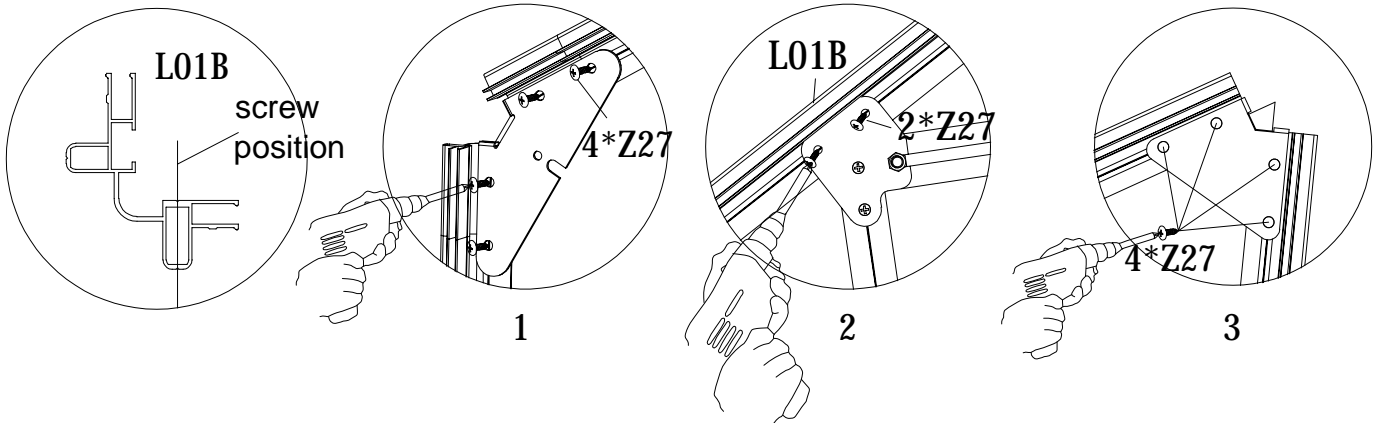
PART	NO	QTY
	L01B	1
	Z27 M4.2X13	10
	D57	1
	D60	1
	Y4	1
	Y5	1





Rear Wall

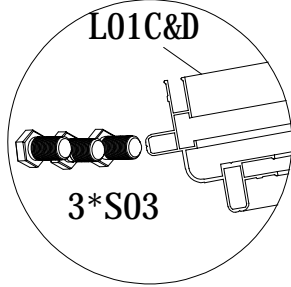
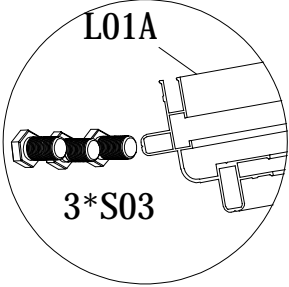
- Slide the higher glazing panels (Y4, Y5) into position.



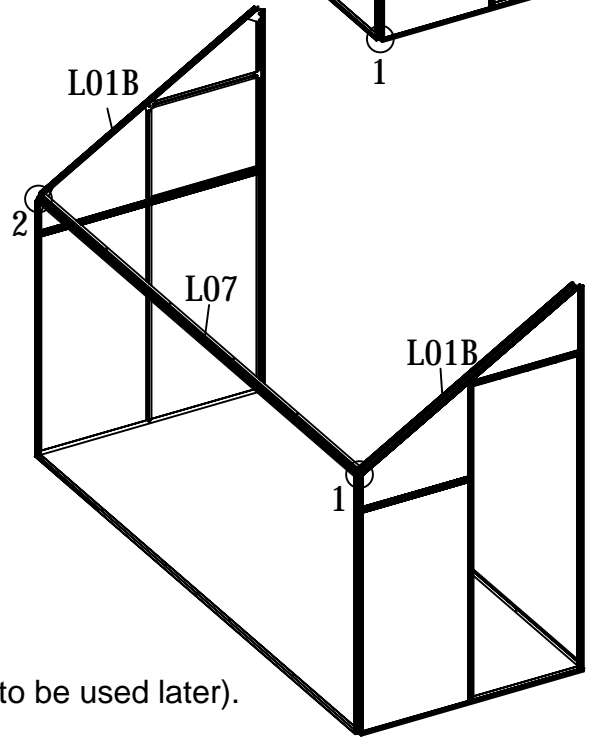
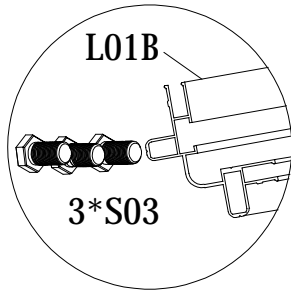
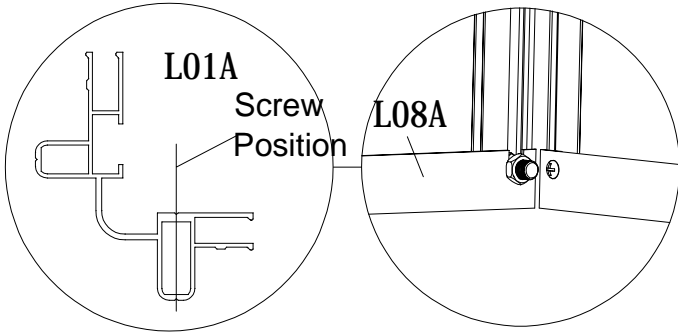
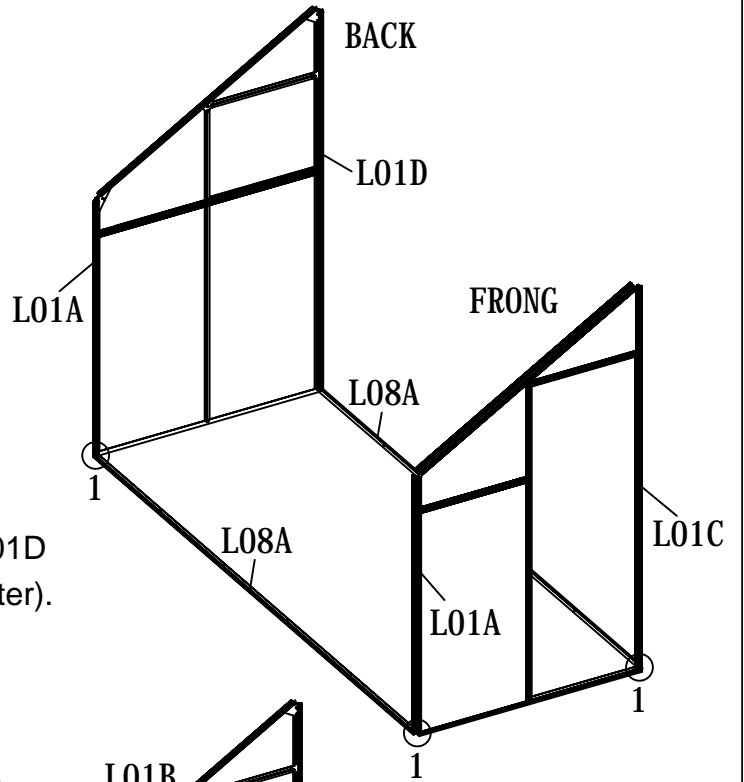
- Fix L01B to L01A, L01D and L04B using the D57 & D60 angled plates fixed with self-tapping screws (Z27) using a powered screwdriver. The inside of the glazing bars feature guide lines which indicate the correct screw positions (see detail drawings below). Be careful to ensure that the screws are in the correct position (see detail drawings below).
- Part W02 is factory fitted to glazing bars L04B.



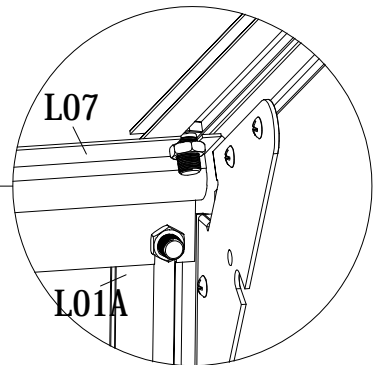
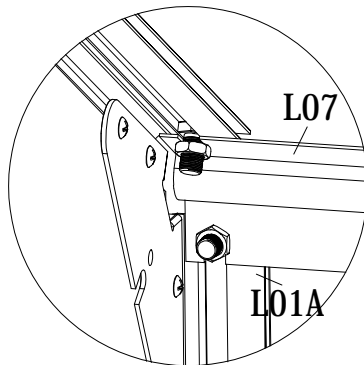
PART	NO	QTY
	L08A	2
	S03 M6X10	18
	M01 M6X10	8
	L07	1

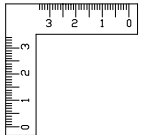


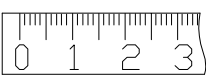




Slide 3 bolts (S03) into each L01A, L01C and L01D bolt channel and fix L08A (2 bolts to be used later).

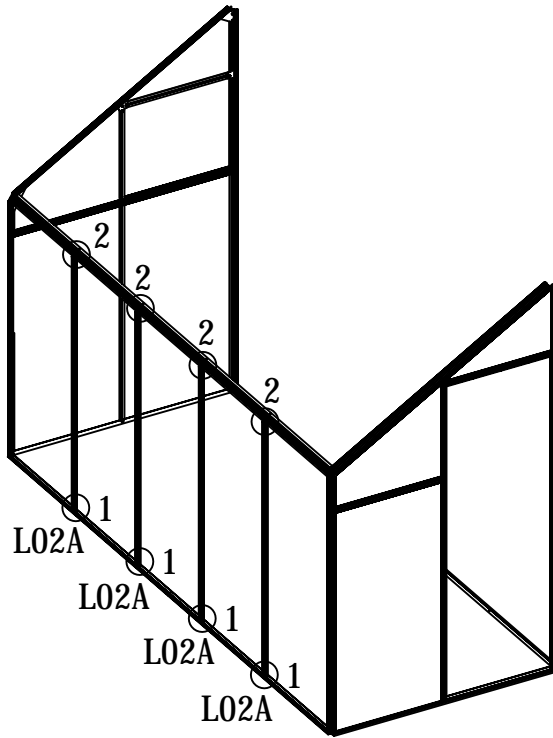


Slide 3 bolts (S03) into each L01B bolt channel (2 to be used later).
Bolt L07 eave to L01A using S03 bolts

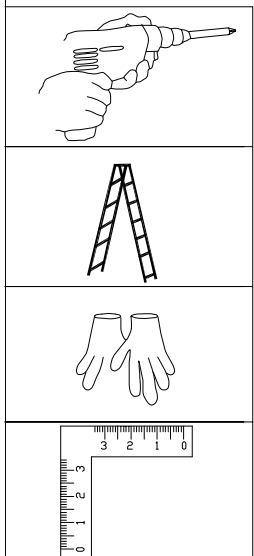
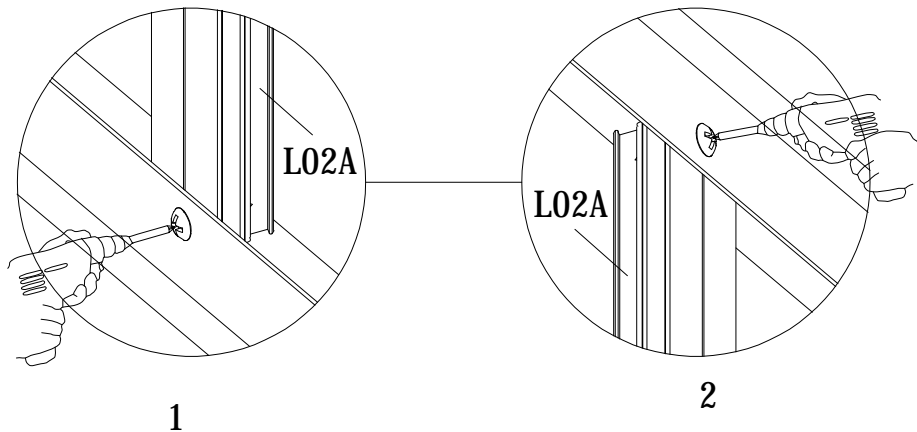
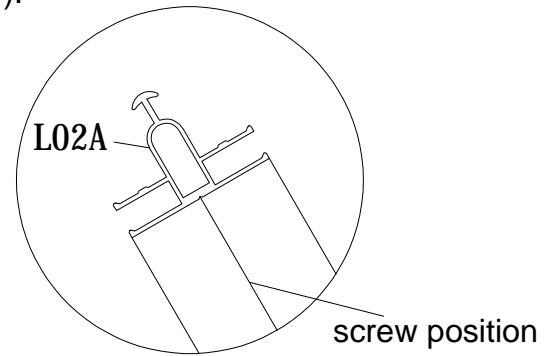





	
	

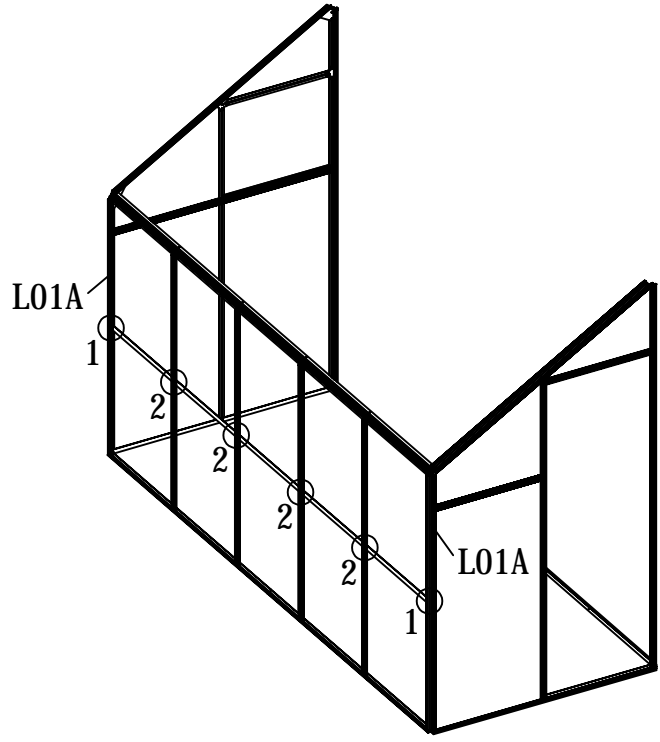
PART	NO	QTY
	L02A	4
	Z27 M4.2X13	8



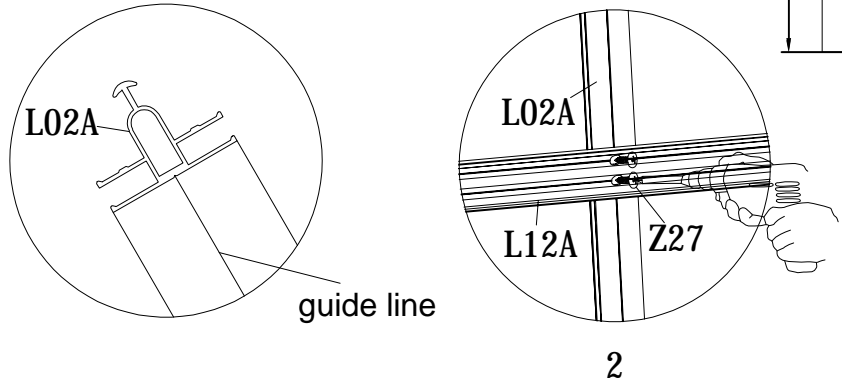
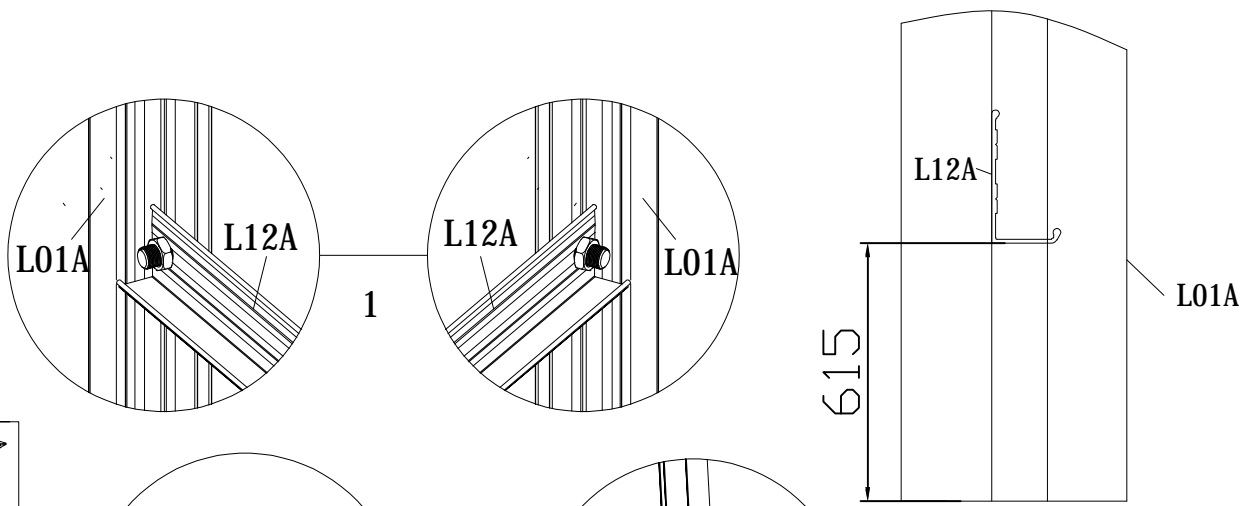
Fix the glazing bars (L02A) to the cills (L08A) and the eaves (L07) with the self-tapping screws (Z27) using a powered screwdriver. The inside of the glazing bars feature guide lines which indicate the correct screw positions (see detail drawings below). Be careful to ensure that the screws are in the correct position (see detail drawings below).








PART	NO	QTY
	L12A	1
	Z27 M4.2X13	8
	M01 M6X10	2

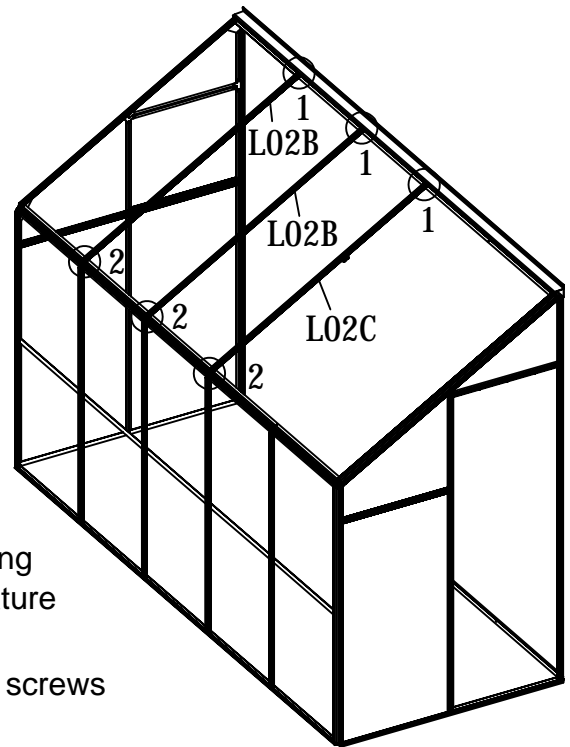
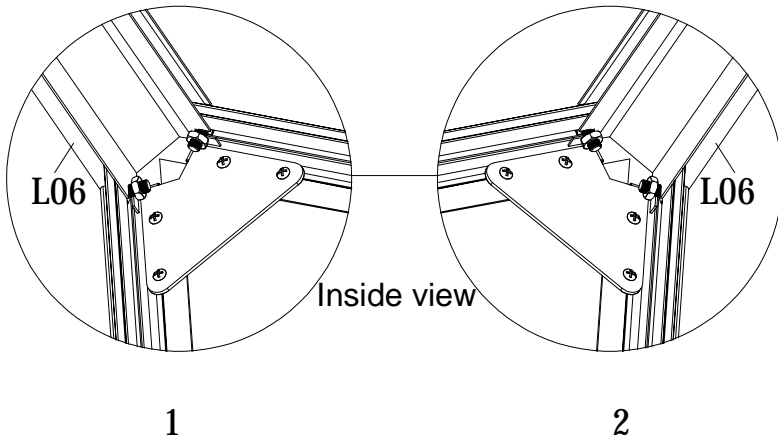
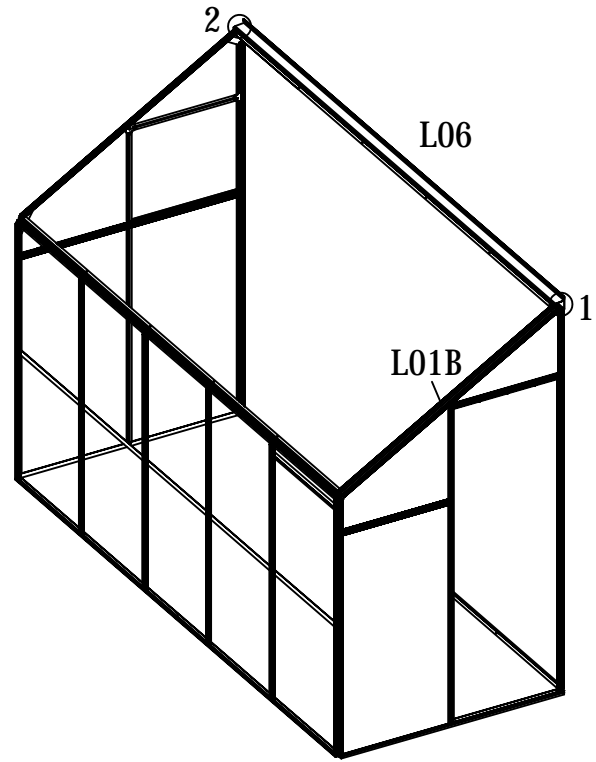


Fix 1 x L12A to the glazing bars at a height of 615mm. Bolt L12A to L01A using the extra S03 bolt placed in the bolt channel earlier. Fix the L12A to L02A with the self-tapping screws (Z27) using a powered screwdriver. Ensure that L12A is fixed at a right angle (90 degrees) to the glazing bars. Please note, if extra bolts were not placed in the bolt channel earlier L01A must be unbolted at one end and moved enough to squeeze the bolts in.

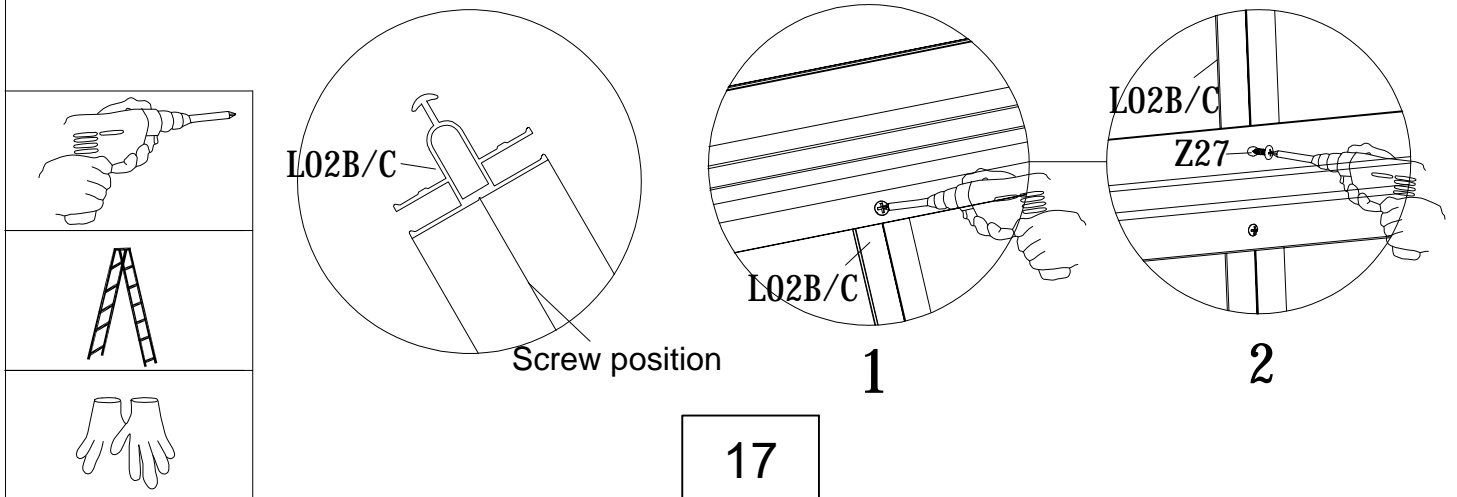


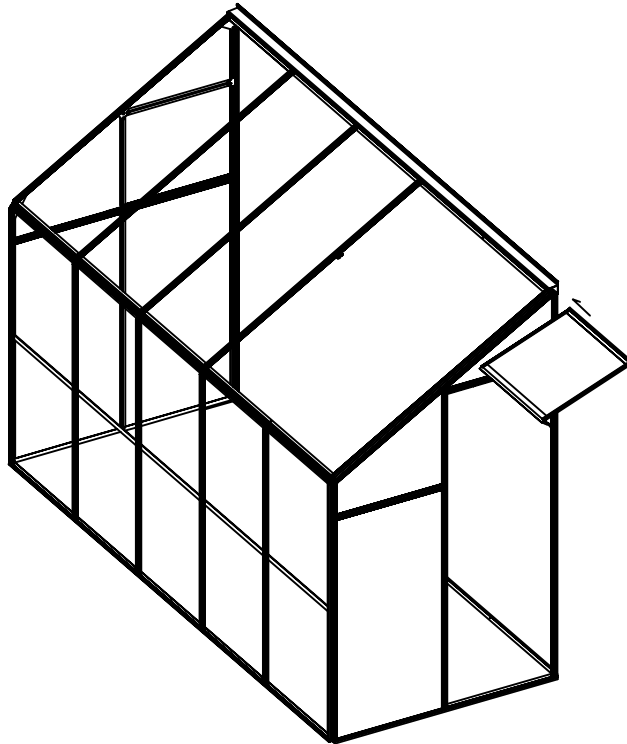
PART	NO	QTY
	L06	1
	M01 M6X10	4
	L02B	2
	L02C	1
	Z27 M4.2X13	6

Bolt the ridge (L06) to 2 * L01B, L01C & L01D using the extra S03 bolts placed in the bolt channels earlier. Please note, if extra bolts were not placed in the bolt channel earlier L01B must be unbolted at one end and moved enough to squeeze the bolts in.

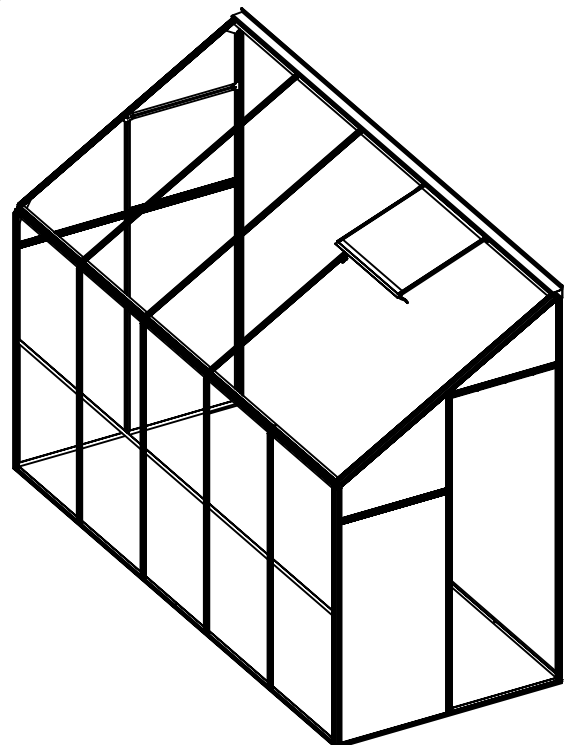
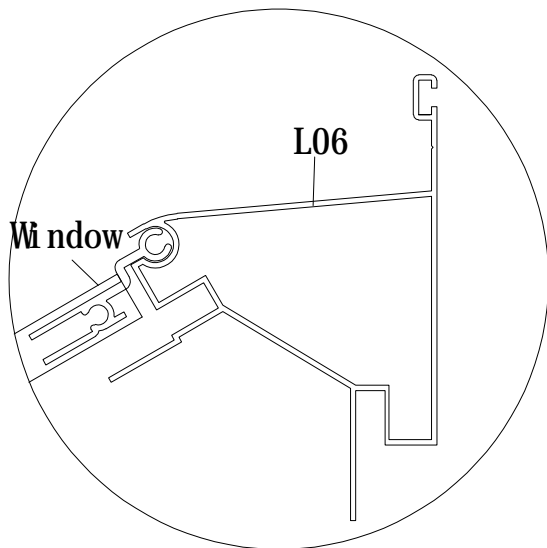




Fix the glazing bars (L02B and L02C) to the eaves (L07) and the ridge (L06) with the self-tapping screws (Z27) using a powered screwdriver. The inside of the glazing bars feature guide lines which indicate the correct screw positions (see detail drawings below). Be careful to ensure that the screws are in the correct position (see detail drawings below).

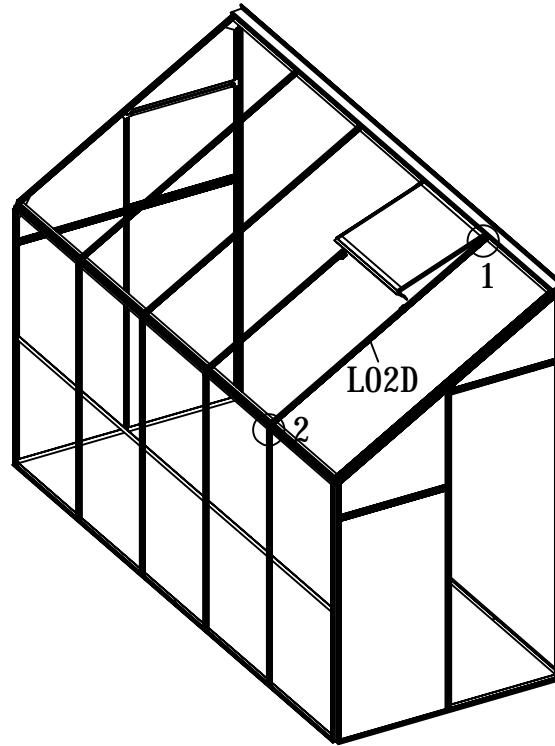




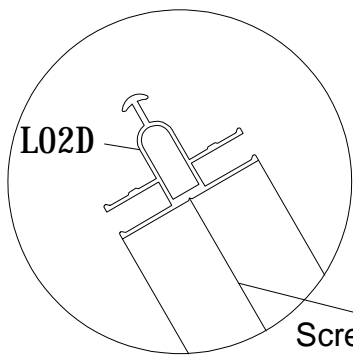
Slide the roof vents into position along the ridge (L06).
The top of the roof vent locates in a groove in the ridge (L06).
Please note that the glazing bars obstruct the passage of the roof vents, which must be in position before the last of the glazing bars are fixed.



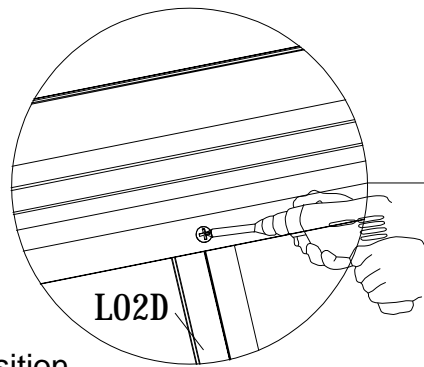
PART	NO	QTY
	L02D	1
	Z27 M4.2X13	2



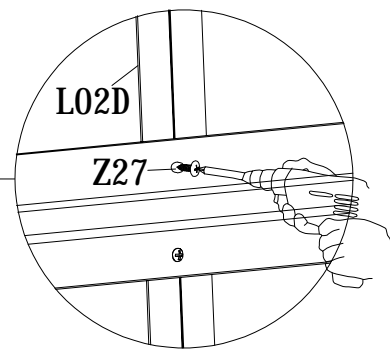
After the roof vents are in position, fix the last of the glazing bars (L02D) to the eaves (L07) and the ridge (L06) with the self-tapping screws (Z27) using a powered screwdriver. The inside of the glazing bars feature guide lines which indicate the correct screw positions (see detail drawings below). Be careful to ensure that the screws are in the correct position (see detail drawings below).



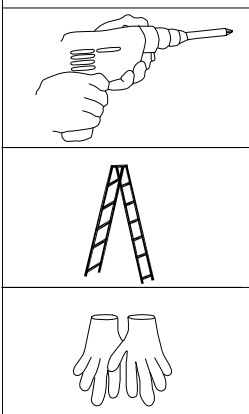
Screw position







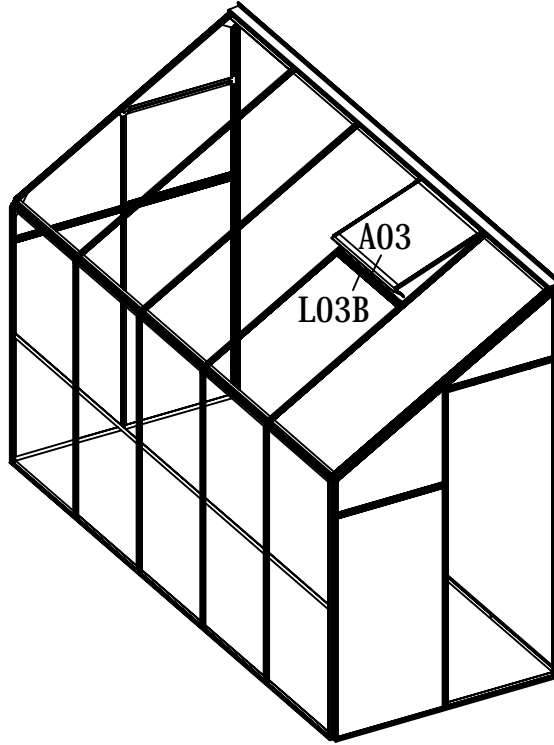
1



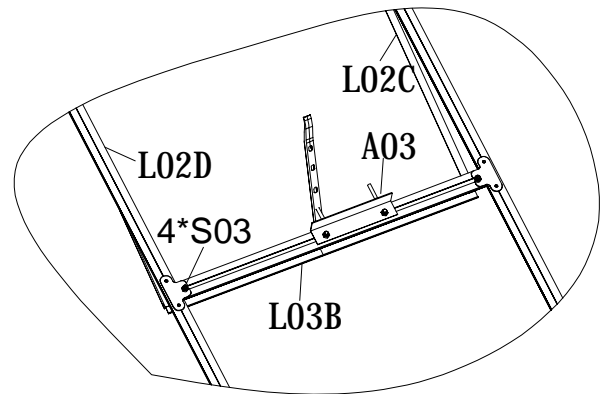
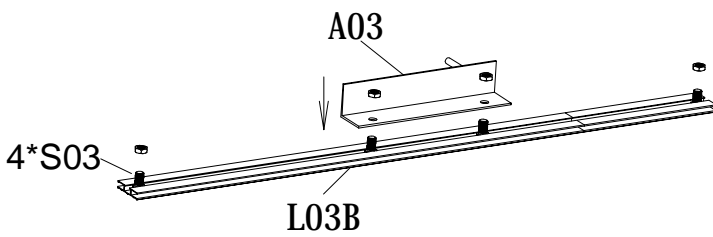
2



PART	NO	QTY
	L03B	1
	S03 M6X10	4
	M01 M6X10	4
	A03	1






1. Slide 4 bolts (S03) into the bolt channel on the inside of L03B horizontal framing.
2. Use 2 of the bolts (S03) to bolt L03B horizontal framing to the glazing bars.
3. Use the other 2 bolts (S03) to bolt the window pins (A03) to L03B.

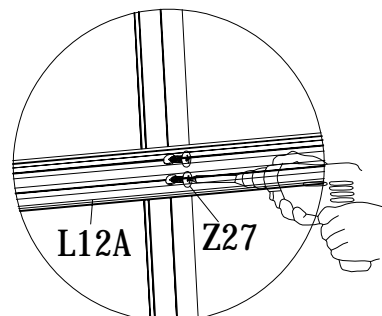
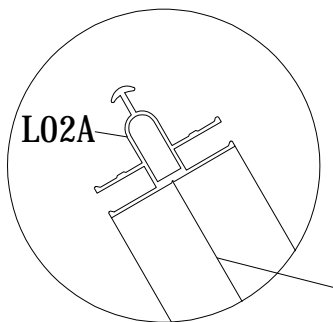
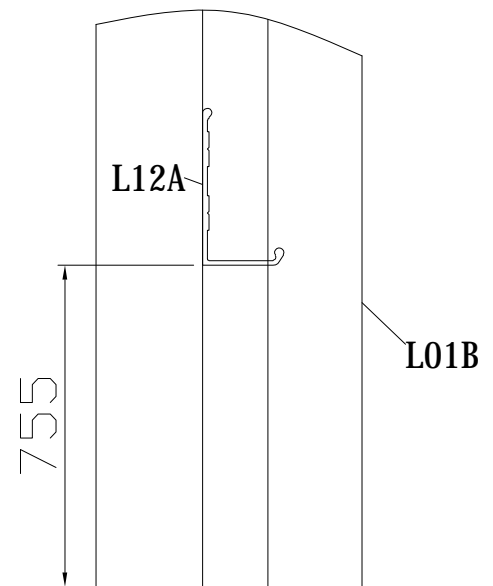
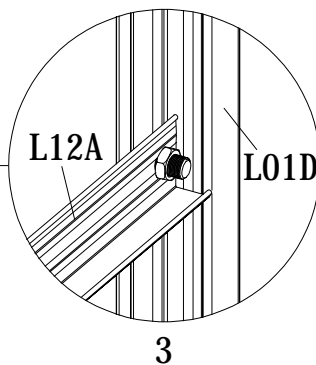
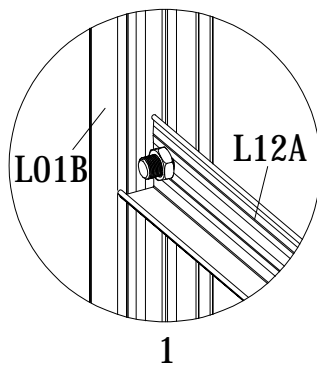
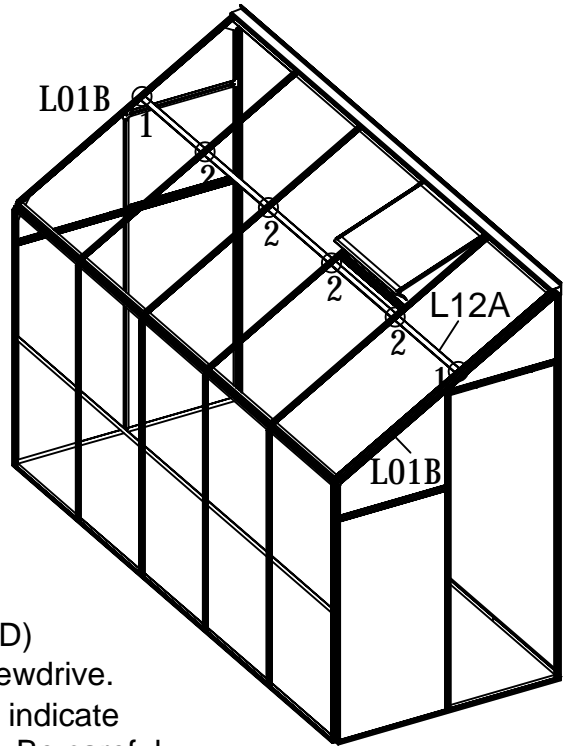


1



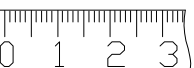
PART	NO	QTY
	L12A	1
	Z27 M4.2X13	8
	M01 M6X10	2




1. Make a pencil mark on the end roof glazing bars (L01B) at a height of 755mm from the bottom.
2. Bolt 1 x L12A at each end to 2 x L01B using the extra S03 bolts placed in the bolt channels earlier. Please note, if extra bolts were not placed in the bolt channel earlier L01B must be unbolted at one end and moved enough to squeeze the bolts in.
3. Fix L12A to the roof glazing bars (L02B, L02C and L02D) with the self-tapping screws (Z27) using a powered screwdriver. The inside of the glazing bars feature guide lines which indicate the correct screw positions (see detail drawings below). Be careful to ensure that the screws are in the correct position (see detail drawings below).
4. Ensure that L12A is fixed at a right angle (90 degrees) to the glazing bars.

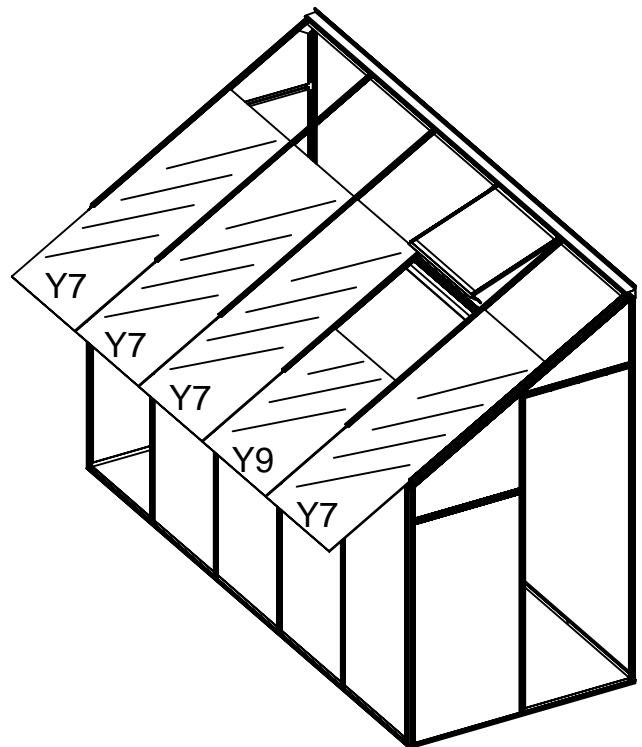
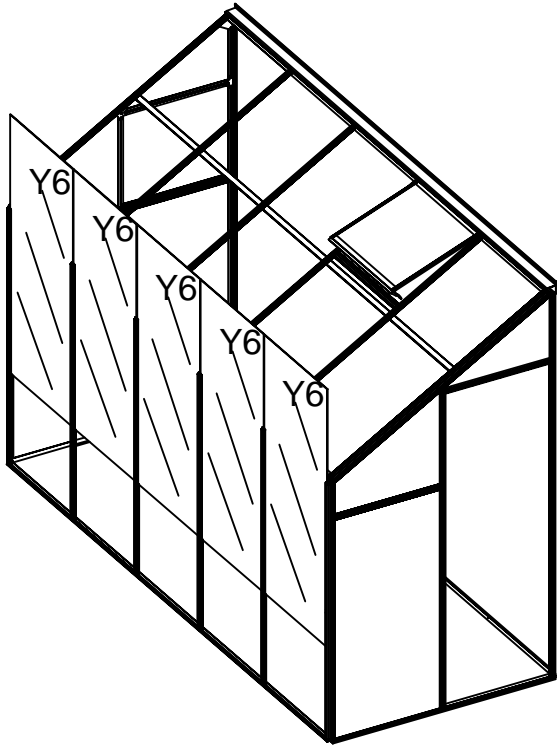



Screw position

2

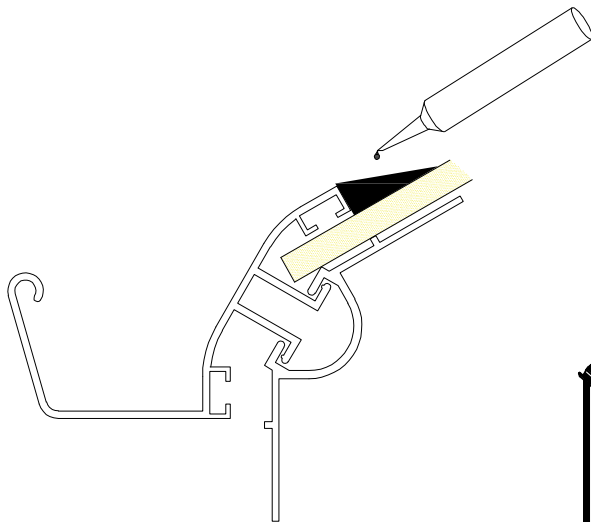
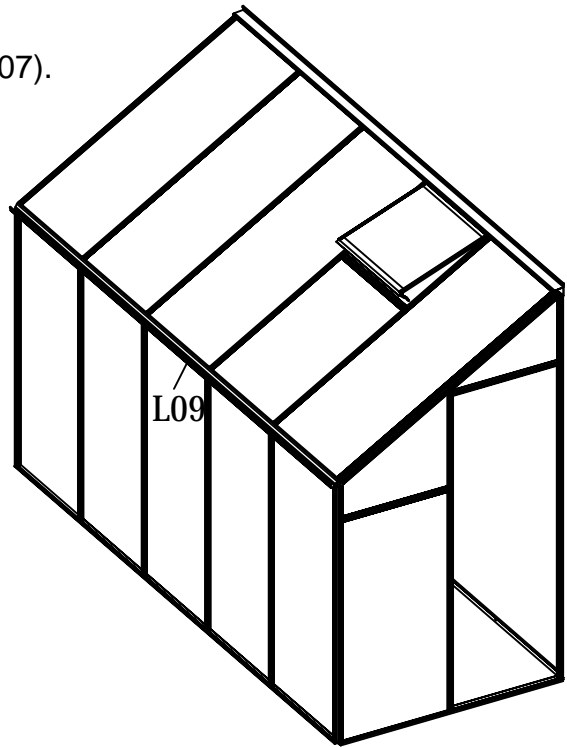
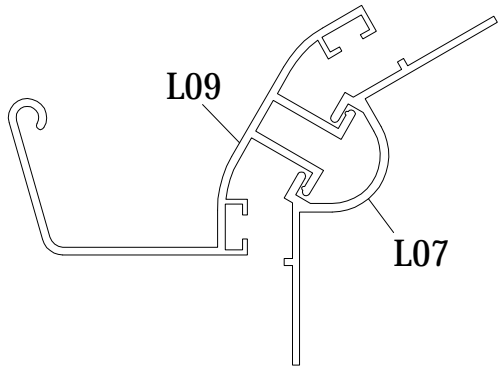


PART	NO	QTY
	Y6	5
	Y7	4
	Y9	1

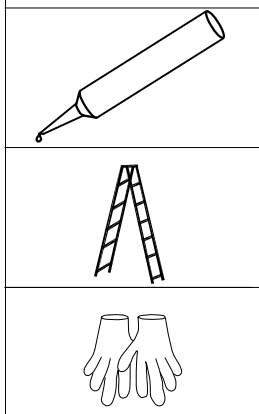
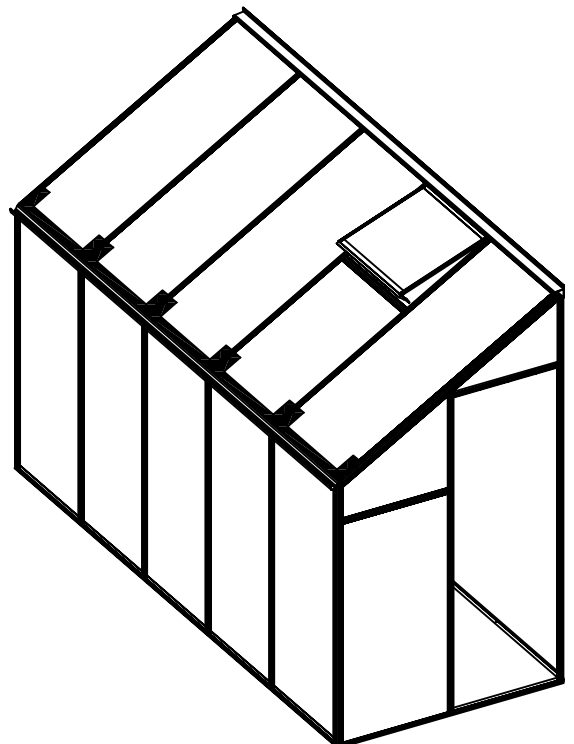




PART	NO	QTY
	L09	1

The gutter (L09) locates in a groove in the eaves (L07).
If required use a mallet.

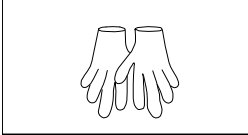
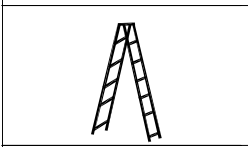
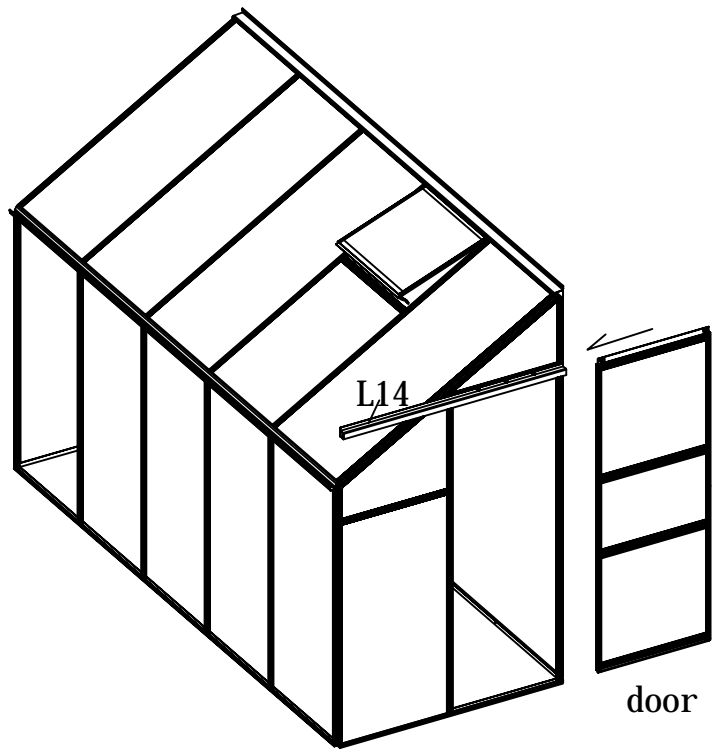
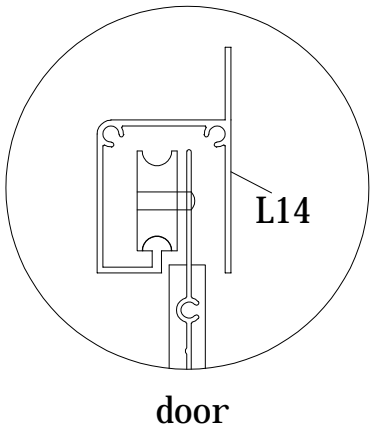
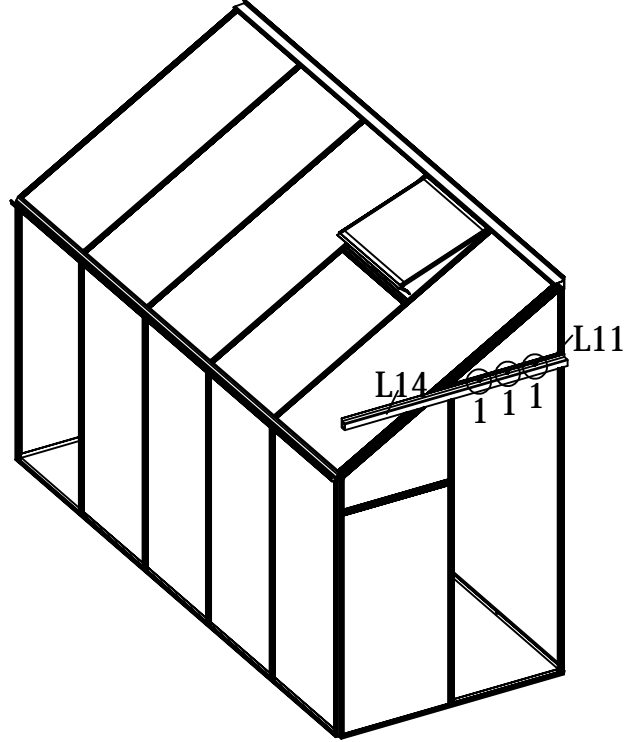
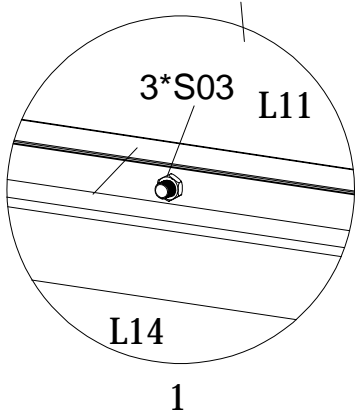


Apply some silicone sealant
in the position shown above
to avoid water leaking.

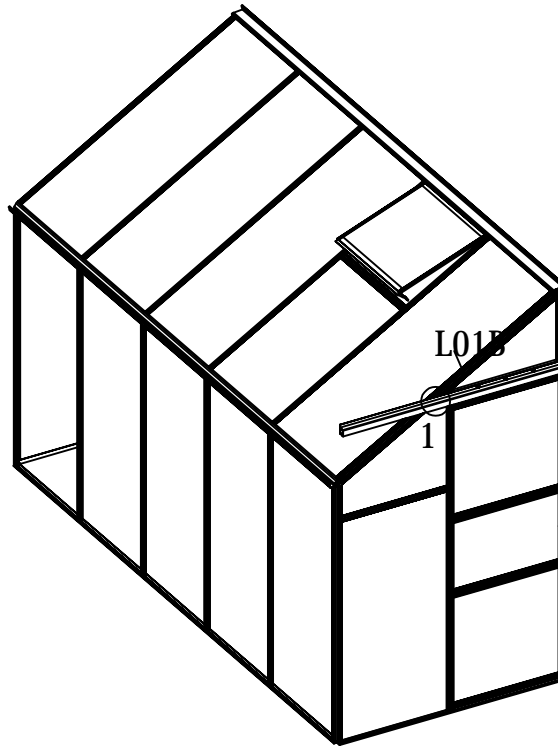


PART	NO	QTY
	L14	1
	M01	3
	M6X10	

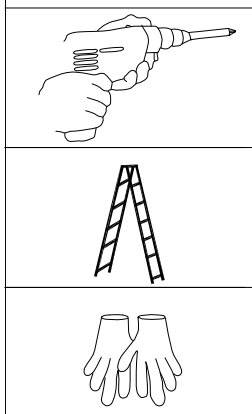
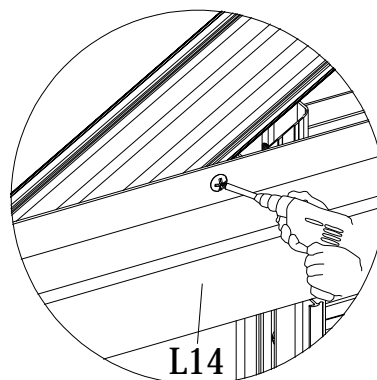
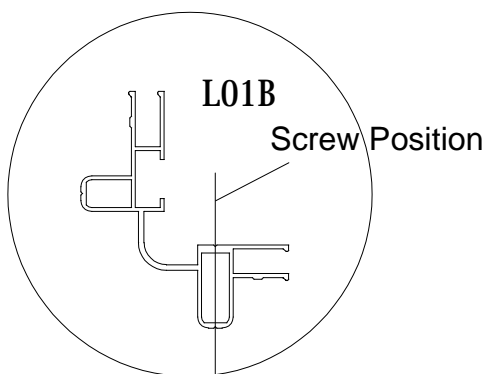
1. Bolt the door support rail (L14) to the horizontal framing (L11) using 3 extra S03 bolts placed in the bolt channels earlier. Please note, if extra bolts were not placed in the bolt channel earlier L01A must be unbolted at one end and moved enough to squeeze the bolts in.
2. Slide the door into position along the door support rail (L14). The door wheels are located on a lip at the bottom of L14.









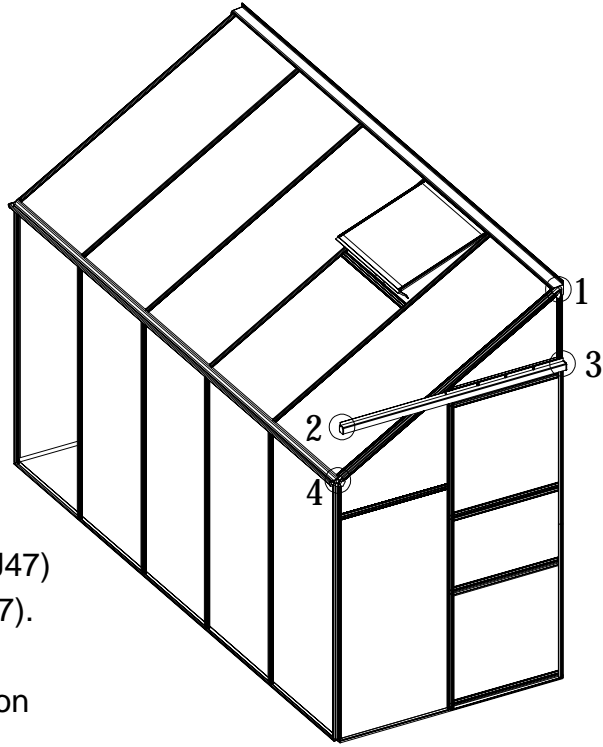
PART	NO	QTY
🔩	Z27	1
	M4.2X13	



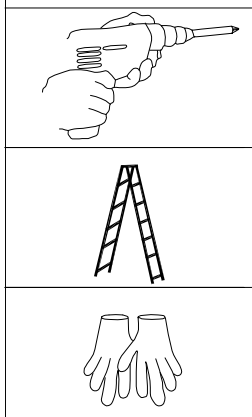
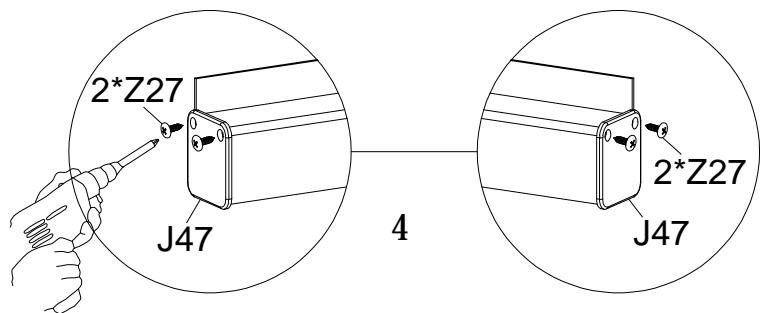
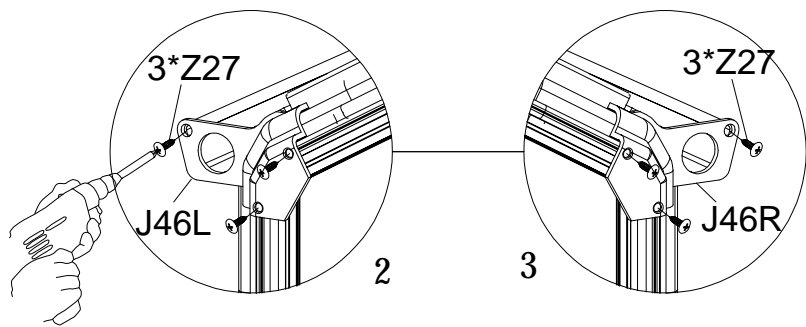
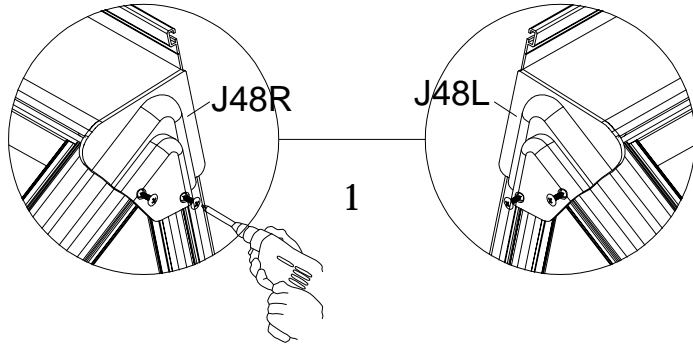
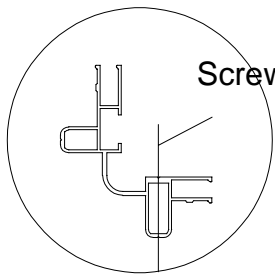
1. Adjust the door until it moves smoothly
2. Fix L14 to the end roof glazing bar (L01B) with the self-tapping screws (Z27) using a powered screwdriver. The inside of the glazing bars feature guide lines which indicate the correct screw positions (see detail drawings below). Be careful to ensure that the screws are in the correct position (see detail drawings below).



PART	NO	QTY
	J48R	1
	J48L	1
	J46R	1
	J46L	1
	J47	2
	Z27 M4.2X13	14



Fix the cover caps (J48R/L, J46R/L and J47) carefully with the self-tapping screws (Z27). Be careful to ensure that the screws are driven in straight and in the correct position (see detail drawings below).



Contact information

Austria



Belgium



Croatia



Denmark



Estonia



Finland



France



Germany



Ireland



Italy



Latvia



Lithuania



Nederland



Norway



Poland



Portugal



Spain



Sweden



Switzerland



UK

