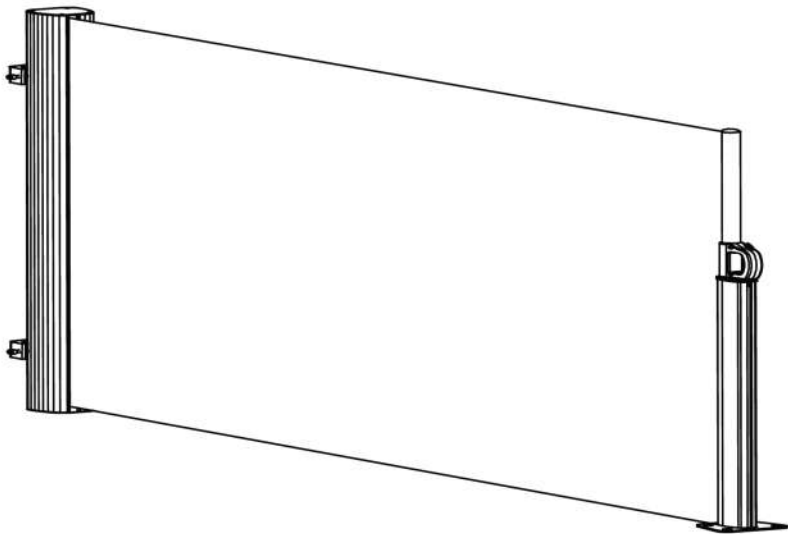


DANCOVER[®]

.com

Manual
for
Side Awning
1,6x3m

Side Awning Screen



The manufacturer is constantly improving all types and models. Please understand that changes to the delivered product in terms of form, features and technology are thus possible at any time.

Therefore no claims may be derived from the information, illustrations and descriptions in this manual. Reprint, duplication or translation, also of excerpts, is not permitted without the written permission of the manufacturer.

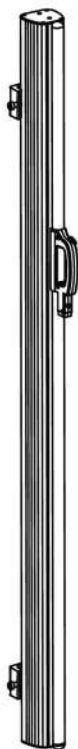
All rights according to the law or to copyright law are expressly reserved by the manufacturer.

Subject to alterations

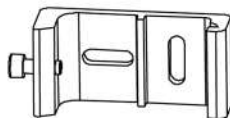
THE CARTON INCLUDE FOLLOWING PARTS:



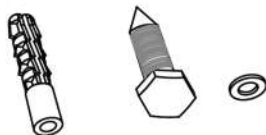
**Stand fix
(x1 piece)**



**The cassette part
(x1 piece)**



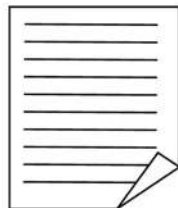
Brackets (x2 pieces)



**Φ10×50 anchor bolt,
M6×60 hexagon wooden screw
Φ6 washer (x4 pcs)**



**Φ10×50 anchor bolt,
M8×75 hexagon wooden screw,
Φ8 washer (x4 pcs)**



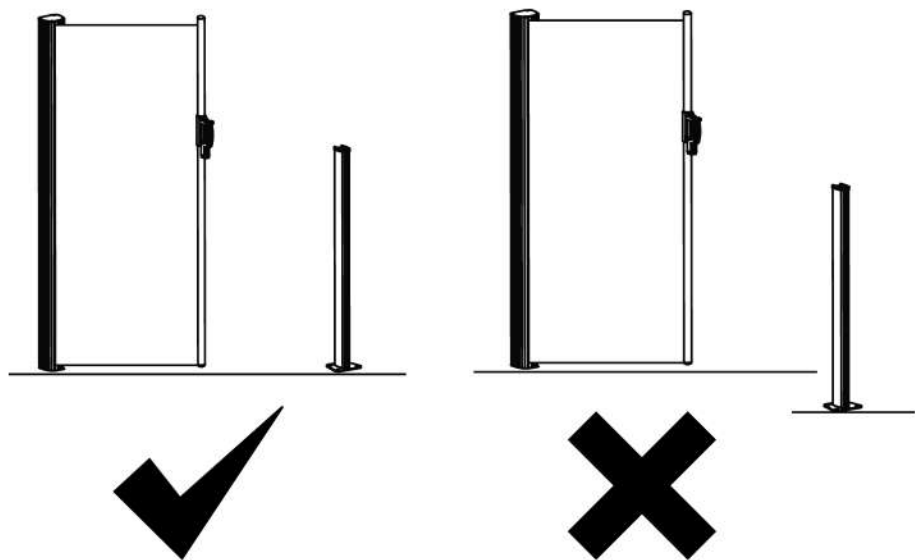
**Instruction manual
(1piece)**

**Please prepare the following tools before installation
(these tools are not provided)**

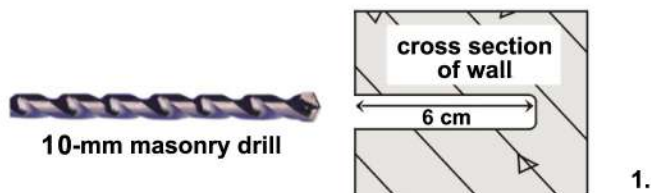
1. Tape measure
2. Hexagonal spanner CR-V5mm
3. Cross screwdriver
4. Drill machine

INSTALLATION STEPS

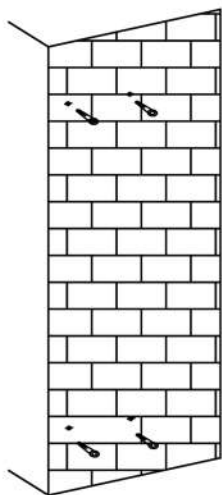
Warning: When mounting the awning, keep the main part and stand column on the horizon, or the fabric will be deformed and difficult to open and close.



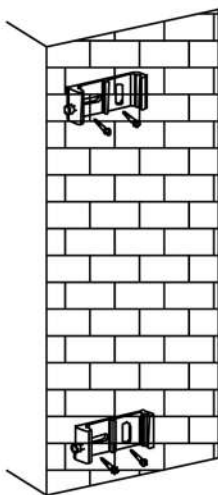
1. Drill 6cm deep holes in the size as the following picture shows



2. Insert one $\phi 10 \times 50$ mm anchor bolt in each of holes.

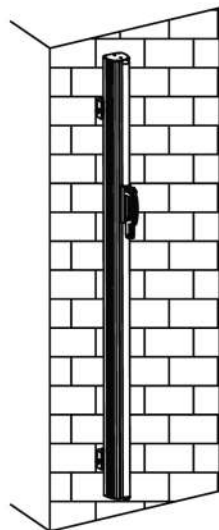


2.



3.

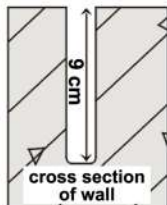
3. Fix the bracket with M6×60 mm hexagon wooden screw
4. Insert the cassette part into the bracket, tighten the flat fillister head screw M6×16mm with Hexagonal spanner CR-V5mm



4.



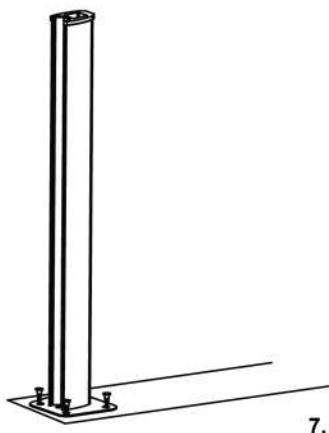
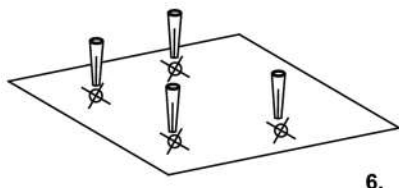
10-mm masonry drill



5.

5. Drill four 10mm diameter holes on the floor in the size as shown in picture 5 .

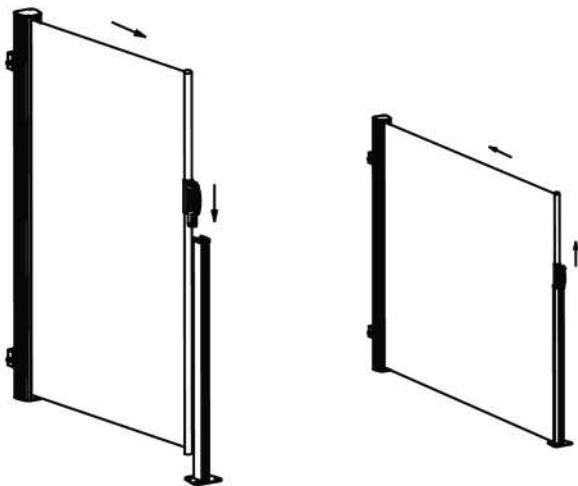
6. Insert one $\phi 10 \times 50$ mm anchor bolt (4pcs)



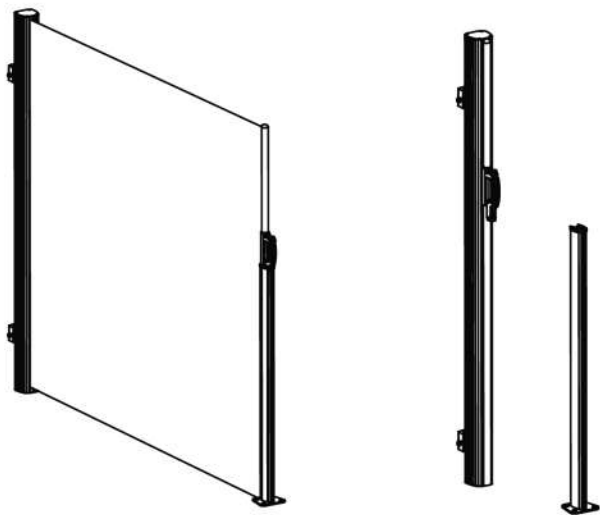
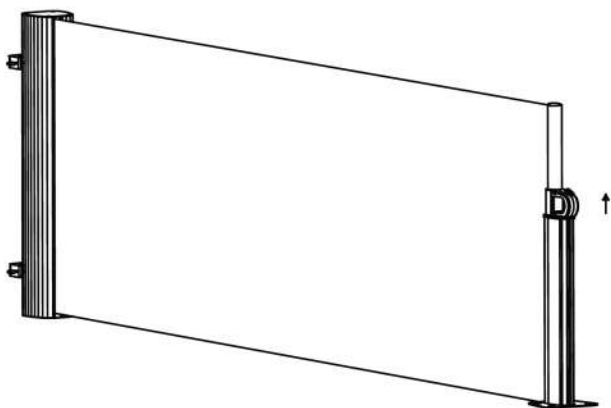
7. Make the left bottom hole of stand fix and the hole on the floor alignment, and tighten them with M8 \times 75mm hexagon wooden screw.

CORRECT USE

1. Keeping the front bar upright, hold the handle and push it above the stand column. Hold the handle and press the handle spindle that the pin comes into the handle, and then put the handle into the stand column.



2. When you want to close it, hold the handle and pull up the handle spindle. Keeping the fabric horizontal and push the handle back to the cover slowly.



DANCOVER[®]

.com

Contact information

Head office:

Dancover A/S
Nordre Strandvej 119 G
3150 Hellebæk
Denmark

For more information
please visit:
www.dancovershop.com

National contact

Denmark: 70 26 76 20
denmark@dancover.com

UK: 020 8099 7570
uk@dancover.com

Germany: 041 0266 7040
germany@dancover.com

France: 0975 181 800
france@dancover.com

Sweden: 040 233 262
sverige@dancover.com

Finland: 0 931 581 720
suomi@dancover.com

Poland: 22 300 8602
polska@dancover.com

Luxembourg: +49 041 0266 7040
luxembourg@dancover.com

Portugal: 308 800 899
portugal@dancover.com

Spain: 911 436 828
espana@dancover.com

Italy: 02 479 21 198
italia@dancover.com

Switzerland: 0840 000125
schweiz@dancover.com

Austria: 0662 626935
austria@dancover.com

Norway: 231 00 690
norge@dancover.com

Nederland: 0 858 880 524
nederland@dancover.com

Ireland: 0 151 33 003
ireland@dancover.com

Belgium: 0 28 08 08 09
belgique@dancover.com